



# CATALOG OF REPLACEMENT PARTS



## LXn SERIES DISHWASHERS

LXnH  
LXnC  
LXnR  
LXnH 30 AMP  
LXnR 30 AMP  
LXGnPR  
LXGnR  
LXGnR 30 AMP



## Table of Contents

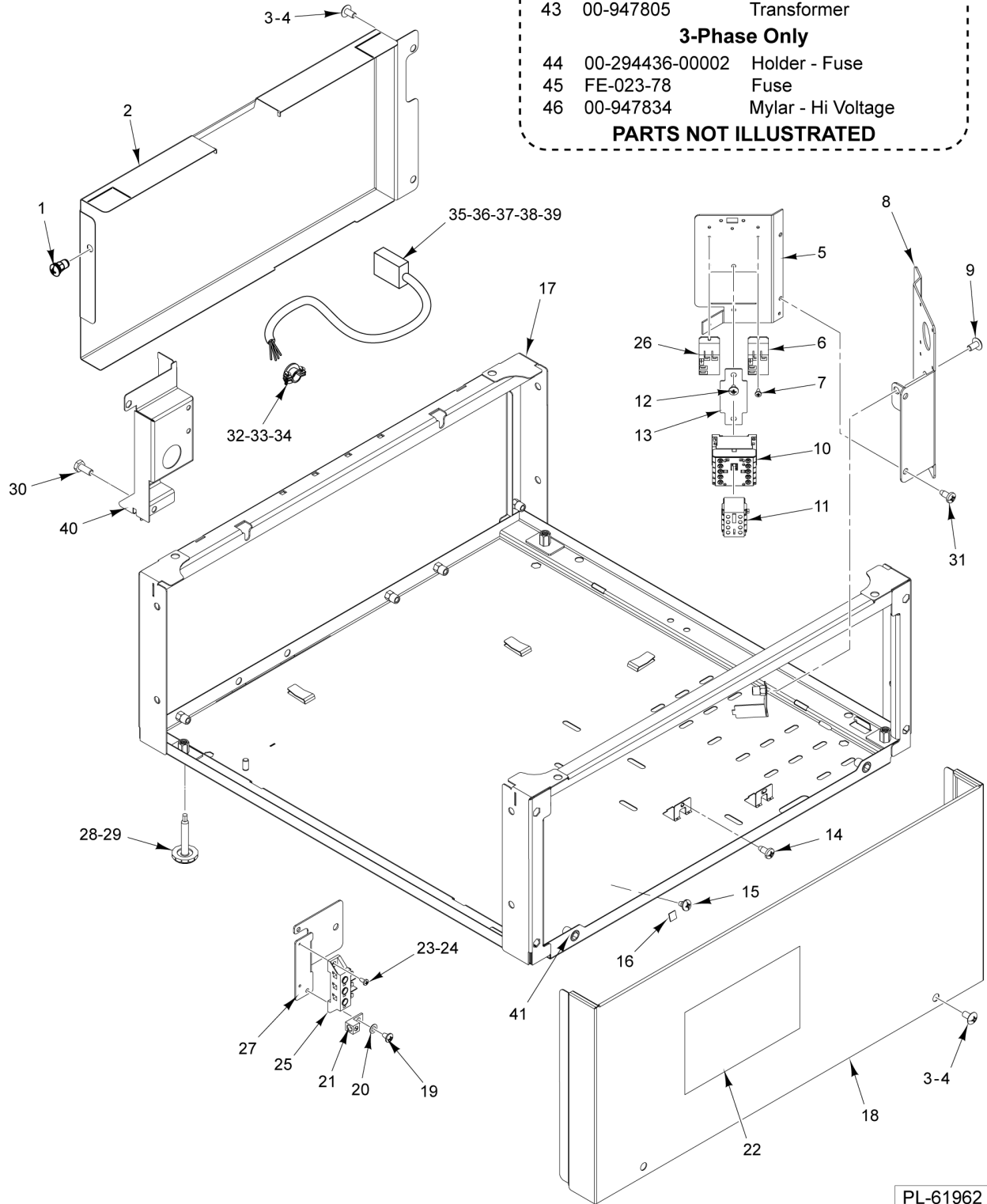
5	BASE ASSEMBLY (LXN)
7	BASE ASSEMBLY (LXGN)
9	TANK ASSEMBLY (LXN)
11	TANK ASSEMBLY (LXGN)
13	DOOR ASSEMBLY (LXN)
15	DOOR ASSEMBLY (LXGN)
17	BOOSTER ASSEMBLY (HOT)
19	CONTROL PANEL AND BOARDS
21	WASH ARM AND RINSE ARM ASSEMBLY (STANDARD)
23	WASH ARM AND RINSE ARM ASSEMBLY (ADVANSYS) (LXN)
25	WASH PIPE ASSEMBLY (LXN)
27	WASH PIPE ASSEMBLY (LXGN)
29	WASH PUMP AND DRAIN (WITH INTEGRATED FAN) (LXN)
31	WASH PUMP AND DRAIN (WITHOUT INTEGRATED FAN) (LXN)
33	WASH PUMP AND DRAIN (LXGN)
35	DRAIN WASH TEMPERING
37	RINSE PUMP
39	CHEMICAL PUMPS AND SENSORS (LXN)
41	CHEMICAL PUMPS AND SENSORS (LXGN)
43	RECOVERY TANK ASSEMBLY (COLD) MOLDED TANK
45	VAPOR ELIMINATOR ASSEMBLY (LXN)
47	VAPOR ELIMINATOR ASSEMBLY (LXGN)
49	FILL AIR GAP (LXN)
51	FILL AIR GAP (LXGN)
53	MISCELLANEOUS
55	DOOR LOCK
57	CORRECTIONAL PARTS PACKAGE (LXN)

- 42 00-562118 Kit-Multitap Transformer
- 43 00-947805 Transformer

**3-Phase Only**

- 44 00-294436-00002 Holder - Fuse
- 45 FE-023-78 Fuse
- 46 00-947834 Mylar - Hi Voltage

**PARTS NOT ILLUSTRATED**

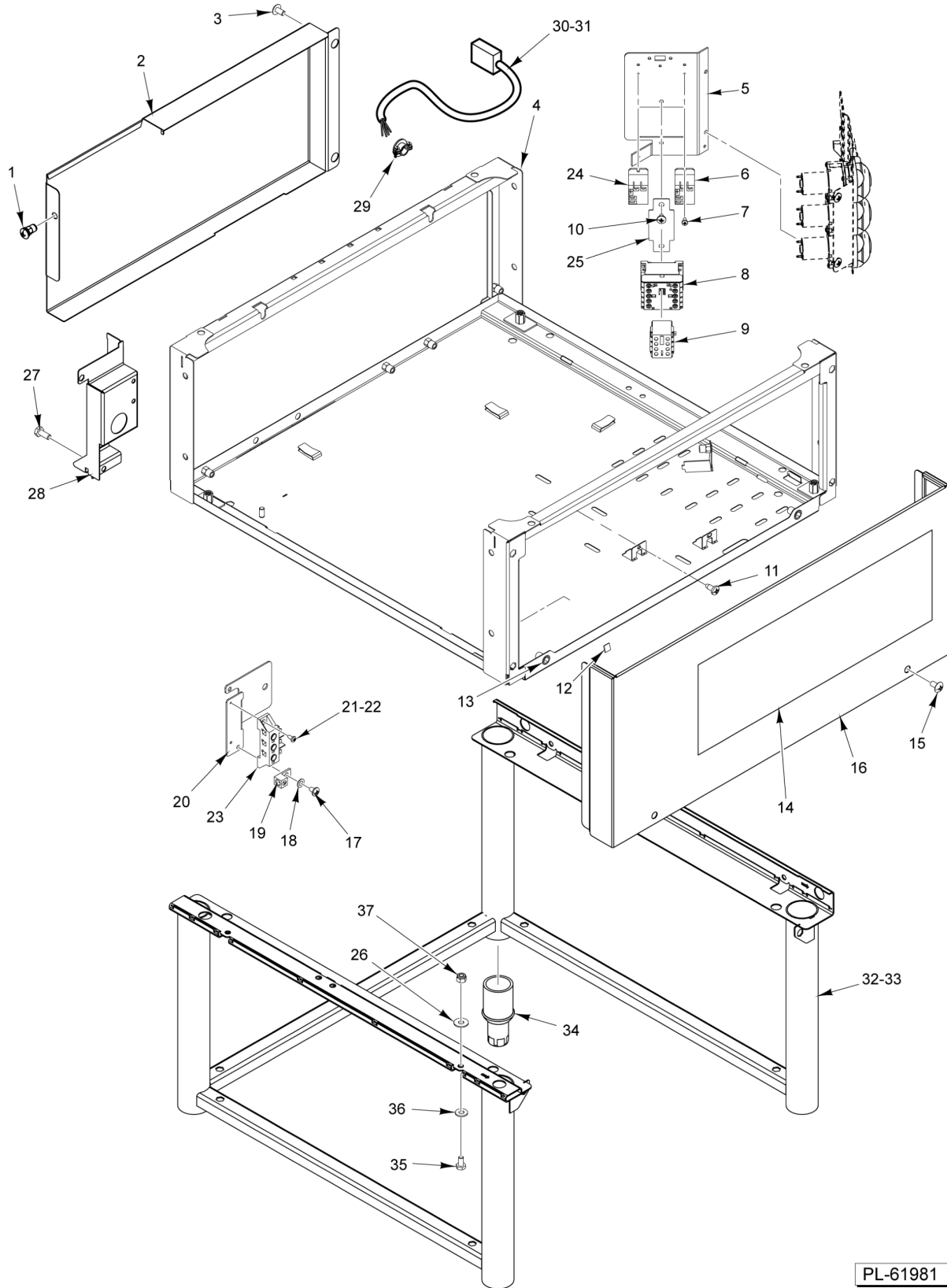


PL-61962

**BASE ASSEMBLY (LXN)**

### BASE ASSEMBLY (LXN)

ILLUS. PL-61962	PART NO.	NAME OF PART	AMT.
1	SC-125-15	Mach. Screw 1/4-20 x 1/2 Phil. Truss Hd.....	1
2	00-563134	Panel - Cover (Rear).....	1
3	SC-125-15	Mach. Screw 1/4-20 x 1/2 Phil. Truss Hd.....	6
4	SC-121-72	Mach. Screw 1/4-20 x 1/2 Tx. Button Hd. (SST) (Prison Package).....	7
5	00-563154	Bracket - Contactor.....	1
6	00-562599-00003	Relay (1 Pole) (40 Amp., 120 V.).....	1
7	SD-008-18	Self-Tapping Screw 8-18 x 3/8 Phil. Bndg. Hd., Type B.....	2
8	00-941632	Bracket - Chemical Pump.....	1
9	SC-125-15	Mach. Screw 1/4-20 x 1/2 Phil. Truss Hd.....	1
10	00-562597-00001	Contactor (20 Amp.).....	1
11	00-562598	Switch - Auxiliary.....	1
12	SD-035-77	Self-Tapping Screw 1/4-20 x 3/8 Phil. Pan Hd., Type TT.....	2
13	00-563407	Bracket.....	1
14	SD-008-25	Self-Tapping Screw 10-16 x 1/2 Phil. Pan Hd., Type B.....	2
15	SD-035-77	Self-Tapping Screw 1/4-20 x 3/8 Phil. Pan Hd., Type TT.....	2
16	0F-011613	Label - Ground.....	1
17	00-941751	Base - Lower (Control Box).....	1
18	00-941762	Trim - Front.....	1
19	SD-035-77	Self-Tapping Screw 1/4-20 x 3/8 Phil. Pan Hd., Type TT.....	1
20	WL-007-15	Lockwasher 1/4 External Shakeproof.....	1
21	00-118544-00002	Lug - Grounding.....	1
22	00-438131-00192	Label (Cleaning).....	1
23	SD-008-25	Self-Tapping Screw 10-16 x 1/2 Phil. Pan Hd., Type B (LXnH, LXnR).....	2
24	SD-008-18	Self-Tapping Screw 8-18 x 3/8 Phil. Bndg. Hd., Type B (LXnC).....	2
25	00-562895-00001	Block - Terminal (3-Pole).....	1
26	00-562599-00001	Relay (1 Pole) (40 Amp.).....	1
27	00-563406	Bracket.....	1
28	00-941756	Foot - Leveling.....	4
29	00-941757	Rivnut 5/16-18.....	4
30	SC-041-50	Cap Screw 1/4-20 x 1/2 Hex Hd. (SST).....	1
31	SD-035-77	Self-Tapping Screw 1/4-20 x 3/8 Phil. Pan Hd., Type TT.....	2
32	FE-023-47	Strain Relief - Electrical (1 In.).....	1
33	FE-026-07	Strain Relief - Electrical (3/4 In.).....	1
34	FE-022-05	NLA - Obsolete--Washer - Reducing (1 to 3/4 In.).....	1
35	00-948314	Kit - Power Cord (208-240 V., 60 Hz., 3 Ph.) (LXnH, LXnR) (Incls. Item 31).....	1
36	00-948315	Kit - Power Cord (120-240 V., 60 Hz., 1 Ph.) (LXnH, LXnR) (Incls. Item 31).....	1
37	00-948312	Kit - Power Cord (120 V., 60 Hz., 1 Ph.) (LXnC) (Incls. Items 32 & 33).....	1
38	00-948313	Kit - Power Cord (208-240 V., 60 Hz., 1 Ph.) (LXnC) (Incls. Item 31).....	1
39	00-562476	Kit - Power Cord (120/208-240 V., 60 Hz., 1PH) (LXnR-30) (Incls. Item 32).....	1
40	00-941760	Box - Junction.....	1
41	00-919364-00002	Rivnut 1/4-20.....	AR
42	00-562118	Kit - Multi-tap Transformer (Incls. Items 5 & 11).....	1
43	00-947805	Transformer - 250VA 50/60 Hz. (3 Phase or 2-Wire 1 Phase).....	1
44	00-294436-00002	Holder - Fuse.....	1
45	FE-023-78	Fuse (1.25 Amp.).....	1
46	00-947834	Mylar - Hi Voltage.....	1

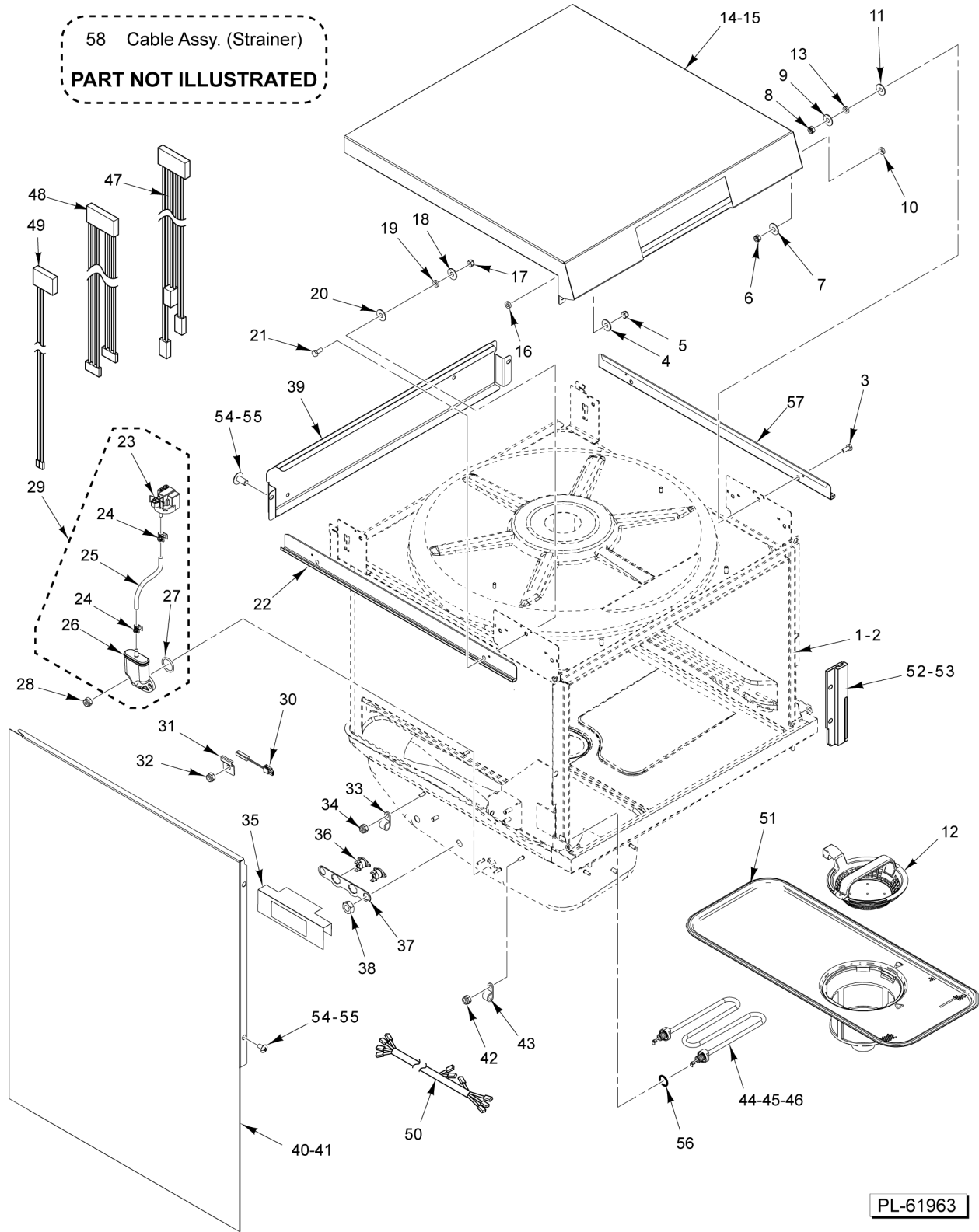


PL-61981

**BASE ASSEMBLY (LXGN)**

### BASE ASSEMBLY (LXGN)

ILLUS. PL-61981	PART NO.	NAME OF PART	AMT.
1	SC-125-15	Mach. Screw 1/4-20 x 1/2 Phil. Truss Hd.....	1
2	00-949441	Panel - Cover (Rear).....	1
3	SC-125-15	Mach. Screw 1/4-20 x 1/2 Phil. Truss Hd.....	2
4	00-941751	Base - Lower (Control Box).....	1
5	00-563154	Bracket - Contactor.....	1
6	00-562599-00003	Relay (1 Pole) (40 Amp., 120 V.).....	1
7	SD-008-18	Self-Tapping Screw 8-18 x 3/8 Phil. Bndg. Hd., Type B.....	2
8	00-562597-00001	Contactor (20 Amp.).....	1
9	00-562598	Switch - Auxiliary.....	1
10	SD-035-77	Self-Tapping Screw 1/4-20 x 3/8 Phil. Pan Hd., Type TT.....	2
11	SD-008-25	Self-Tapping Screw 10-16 x 1/2 Phil. Pan Hd., Type B.....	2
12	0F-011613	Label - Ground.....	1
13	00-919364-00002	Rivnut 1/4-20.....	AR
14	00-438131-00205	Label (Cleaning).....	1
15	SC-125-15	Mach. Screw 1/4-20 x 1/2 Phil. Truss Hd.....	2
16	00-949296	Trim - Front.....	1
17	SD-035-77	Self-Tapping Screw 1/4-20 x 3/8 Phil. Pan Hd., Type TT.....	1
18	WL-007-15	Lockwasher 1/4 External Shakeproof.....	1
19	00-118544-00002	Lug - Grounding.....	1
20	00-563406	Bracket.....	1
21	SD-008-25	Self-Tapping Screw 10-16 x 1/2 Phil. Pan Hd., Type B (LXGNR).....	2
22	SD-008-18	Self-Tapping Screw 8-18 x 3/8 Phil. Bndg. Hd., Type B.....	2
23	00-562895-00001	Block - Terminal.....	1
24	00-562599-00001	Relay (1 Pole) (40 Amp.).....	2
25	00-563407	Bracket.....	1
26	WS-029-13	Washer (SST) (SST).....	4
27	SC-041-50	Cap Screw 1/4-20 x 1/2 Hex Hd. (SST).....	1
28	00-941760	Box - Junction.....	1
29	FE-026-41	Connector - Conduit.....	1
30	00-948312	Kit - Power Cord Cord - Power (120 V.).....	1
31	00-948315	Kit - Power Cord 120/208-240 V., 3 Wire.....	1
32	00-949311-00001	Frame (Standard).....	1
33	00-949311-00002	Frame (Short).....	1
34	00-288946-00002	Foot - Adjustable (1-5/8) (SST).....	4
35	SC-041-50	Cap Screw 1/4-20 x 1/2 Hex Hd. (SST).....	8
36	WS-017-06	Washer (SST).....	8
37	NS-047-82	Stop Nut 1/4-20 Hex (SST).....	4



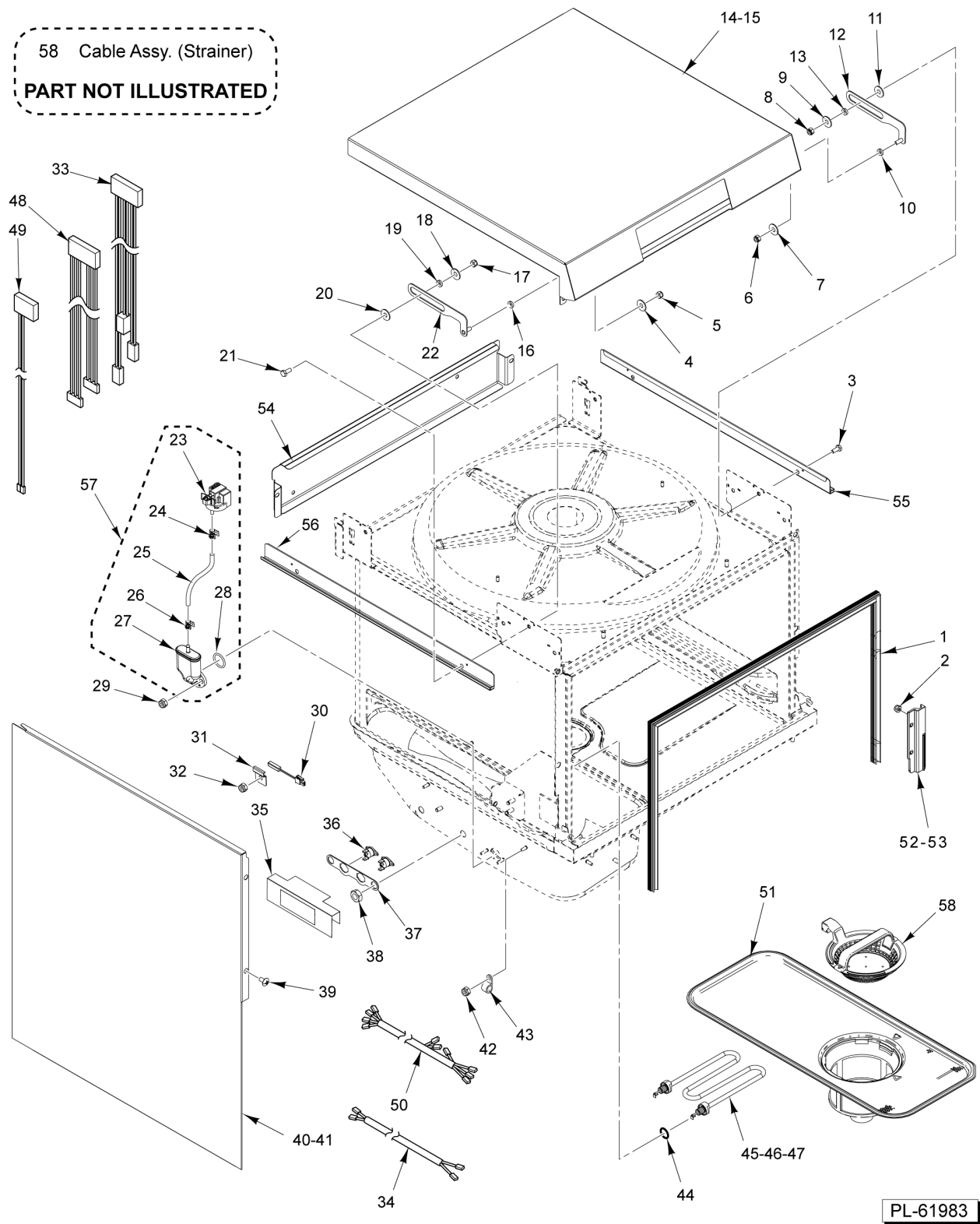
PL-61963

**TANK ASSEMBLY (LXN)**



## TANK ASSEMBLY (LXN)

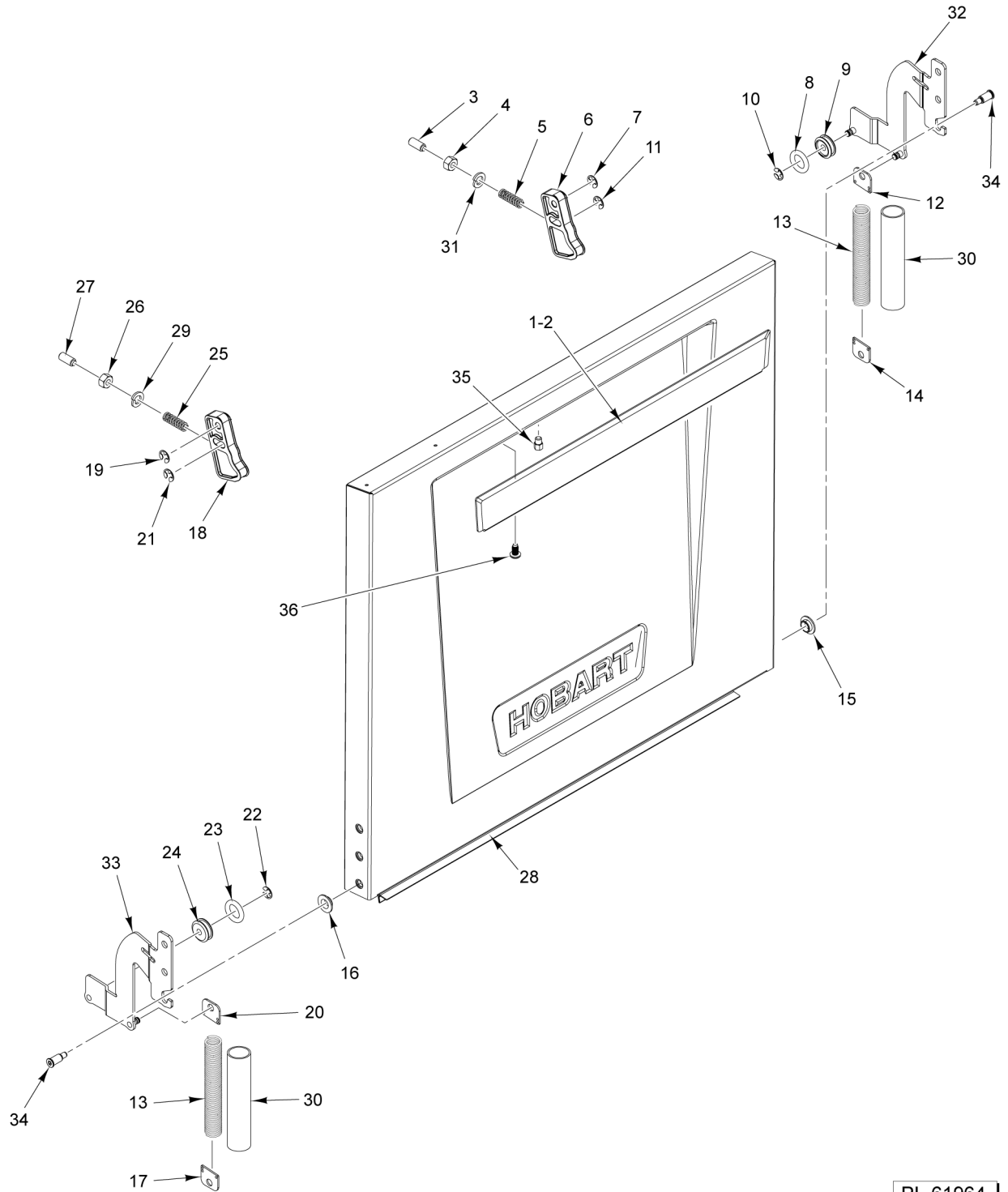
ILLUS.	PART NO.	NAME OF PART	AMT.
PL-61963			
1	01-240077-00001	Seal - Door.....	1
2	00-949148	Kit - Seal & Shim Assy.....	1
3	SC-041-05	Cap Screw 1/4-20 x 5/8 Hex Hd. (SST).....	1
4	WS-017-01	Washer 0.328 x 0.875 x 0.062 (SST).....	1
5	NS-047-82	Stop Nut 1/4-20 Hex (SST).....	1
6	NS-047-82	Stop Nut 1/4-20 Hex (SST).....	1
7	WS-017-01	Washer 0.328 x 0.875 x 0.062 (SST).....	1
8	NS-047-82	Stop Nut 1/4-20 Hex (SST).....	1
9	WS-017-01	Washer 0.328 x 0.875 x 0.062 (SST).....	1
10	WS-022-25	Washer (SST).....	1
11	WS-017-01	Washer 0.328 x 0.875 x 0.062 (SST).....	1
12	01-515133-00001	Strainer.....	1
13	WS-022-25	Washer (SST).....	1
14	00-563109	Top - Control Box (Incls. HMI Assy, Brackets, & Gasket).....	1
15	00-942191	Gasket - Control Box (Top).....	1
16	WS-022-25	Washer (SST).....	1
17	NS-047-82	Stop Nut 1/4-20 Hex (SST).....	1
18	WS-017-01	Washer 0.328 x 0.875 x 0.062 (SST).....	1
19	WS-022-25	Washer (SST).....	1
20	WS-017-01	Washer 0.328 x 0.875 x 0.062 (SST).....	1
21	SC-041-05	Cap Screw 1/4-20 x 5/8 Hex Hd. (SST).....	1
22	00-563133-00002	Gutter - Left.....	1
23	01-539157-00001	Sensor - Pressure.....	1
24	00-113156-00001	Clamp - Spring Action Hose.....	2
25	00-562965-00001	Tubing.....	1
26	00-942151-00001	Trap - Air.....	1
27	OR-001-21	O-Ring.....	1
28	NS-047-82	Stop Nut 1/4-20 Hex (SST).....	2
29	00-563609	Kit - Tubing, Metalflex Sensor (Incls. Items 23 thru 27).....	1
30	00-775612-00001	Sensor - Temperature.....	1
31	01-297719-00001	Bracket - Temp. Sensor.....	1
32	NS-031-15	Stop Nut 10-24 Hex (SST).....	1
33	00-294677-00002	Clamp - Wire (1/2 I.D.).....	1
34	NS-047-94	Lock Nut 3/16 Washer Type (SST).....	1
35	00-473318-00002	Barrier - Sump Heater (Mylar).....	1
36	00-942185	Protector - High Limit.....	2
37	00-749400	Bracket - Overtemp Mounting.....	1
38	NS-041-09	Lock Nut 1/2-13 Hex.....	2
39	00-563132	Panel - Rear Trim (Upper).....	1
40	00-941792-00001	Panel - Side (RH).....	1
41	00-941792-00002	Panel - Side (LH).....	1
42	NS-047-94	Lock Nut 3/16 Washer Type (SST).....	12
43	00-294677-00003	Clamp - Wire (3/4 I.D.).....	12
44	00-941286-00003	Element - Heater (Sump) (120 V.).....	1
45	00-941286-00001	Element - Heater (Sump) (208-240 V.).....	1
46	00-892725-00003	Element - Heater (Sump) (208 V.) (LXnR-30, LXnH-30).....	1
47	00-563145-00001	Harness - Wire (Temperature Probes).....	1
48	00-563145-00001	Harness - Wire (Pressure Sensor).....	1
49	00-563146-00001	Harness - Wire (High Limit).....	1
50	00-562599-00003	Harness - Wire (Sump Heater).....	1
51	01-515130-00001	Strainer.....	1
52	00-942106-00001	Guide - Door (RH).....	1
53	00-942106-00002	Guide - Door (LH).....	1
54	SC-125-15	Mach. Screw 1/4-20 x 1/2 Phil. Truss Hd.....	6
55	SC-121-72	Mach. Screw 1/4-20 x 1/2 Tx. Button Hd. (SST) (Prison Package).....	6
56	00-067500-00007	O-Ring.....	2
57	00-563133-00001	Gutter - Right.....	1
58	00-563097-00001	Cable Assy. (Strainer).....	1



TANK ASSEMBLY (LXGN)

## TANK ASSEMBLY (LXGN)

ILLUS.	PART NO.	NAME OF PART	AMT.
PL-61983			
1	01-515367-002	Seal - Door.....	1
2	NS-031-15	Stop Nut 10-24 Hex (SST).....	4
3	SC-041-05	Cap Screw 1/4-20 x 5/8 Hex Hd. (SST).....	1
4	WS-017-01	Washer 0.328 x 0.875 x 0.062 (SST).....	1
5	NS-047-82	Stop Nut 1/4-20 Hex (SST).....	1
6	NS-047-82	Stop Nut 1/4-20 Hex (SST).....	1
7	WS-017-01	Washer 0.328 x 0.875 x 0.062 (SST).....	1
8	NS-047-82	Stop Nut 1/4-20 Hex (SST).....	1
9	WS-017-01	Washer 0.328 x 0.875 x 0.062 (SST).....	1
10	WS-022-25	Washer (SST).....	1
11	WS-017-01	Washer 0.328 x 0.875 x 0.062 (SST).....	1
12	00-941783-00001	Link - Control Box Pivot (RH).....	1
13	WS-022-25	Washer (SST).....	1
14	00-941780	Top - Control Box.....	1
15	00-942191	Gasket - Control Box (Top).....	1
16	WS-022-25	Washer (SST).....	1
17	NS-047-82	Stop Nut 1/4-20 Hex (SST).....	1
18	WS-017-01	Washer 0.328 x 0.875 x 0.062 (SST).....	1
19	WS-022-25	Washer (SST).....	1
20	WS-017-01	Washer 0.328 x 0.875 x 0.062 (SST).....	1
21	SC-041-05	Cap Screw 1/4-20 x 5/8 Hex Hd. (SST).....	1
22	00-941783-00002	Link - Control Box Pivot (LH).....	1
23	01-539157-00001	Sensor - Pressure.....	1
24	00-113156-00001	Clamp - Spring Action Hose.....	1
25	00-562965-00001	Tubing.....	1
26	00-113156-00001	Clamp - Spring Action Hose.....	1
27	00-942151-00001	Trap - Air.....	1
28	OR-001-21	O-Ring.....	1
29	NS-047-82	Stop Nut 1/4-20 Hex (SST).....	2
30	00-941747	Thermistor.....	1
31	00-941793	Bracket - Thermistor.....	1
32	NS-047-82	Stop Nut 1/4-20 Hex (SST).....	1
33	00-941873	Harness - Wire (Temperature Probes).....	1
34	00-950360	Harness - Wire (LXGNR 30-AMP).....	1
35	00-473318-00002	Barrier - Sump Heater (Mylar).....	1
36	00-942185	Protector - High Limit.....	2
37	00-749400	Bracket - Overtemp Mounting.....	1
38	NS-041-09	Lock Nut 1/2-13 Hex.....	2
39	SC-125-15	Mach. Screw 1/4-20 x 1/2 Phil. Truss Hd.....	4
40	00-941792-00003	Panel - Side (RH).....	1
41	00-941792-00004	Panel - Side (LH).....	1
42	NS-047-94	Lock Nut 3/16 Washer Type (SST).....	12
43	00-294677-00003	Clamp - Wire (3/4 I.D.).....	12
44	00-067500-00007	O-Ring.....	2
45	00-941286-00003	Element - Heater (Sump) (120 V.).....	1
46	00-941286-00001	Element - Heater (Sump) (208-240 V.).....	1
47	00-892725-00002	Element - Heater (Sump) (208 V.) (LXGNR 30-AMP).....	1
48	00-563145-00001	Harness - Wire (Pressure Sensor).....	1
49	00-563146-00001	Harness - Wire (High Limit).....	1
50	00-562599-00003	Harness - Wire (Sump Heater).....	1
51	01-515130-00001	Strainer.....	1
52	00-942106-00001	Guide - Door (RH).....	1
53	00-942106-00002	Guide - Door (LH).....	1
54	00-941785	Panel - Rear Trim (Upper).....	1
55	00-563133-00001	Gutter - Right.....	1
56	00-563133-00002	Gutter - Left.....	1
57	00-563609	Kit - Tubing, Metalflex Sensor (Incls. Items 23 thru 28).....	1
58	01-515133-00001	Strainer.....	1
59	00-563097-00001	Cable Assy. (Strainer).....	1

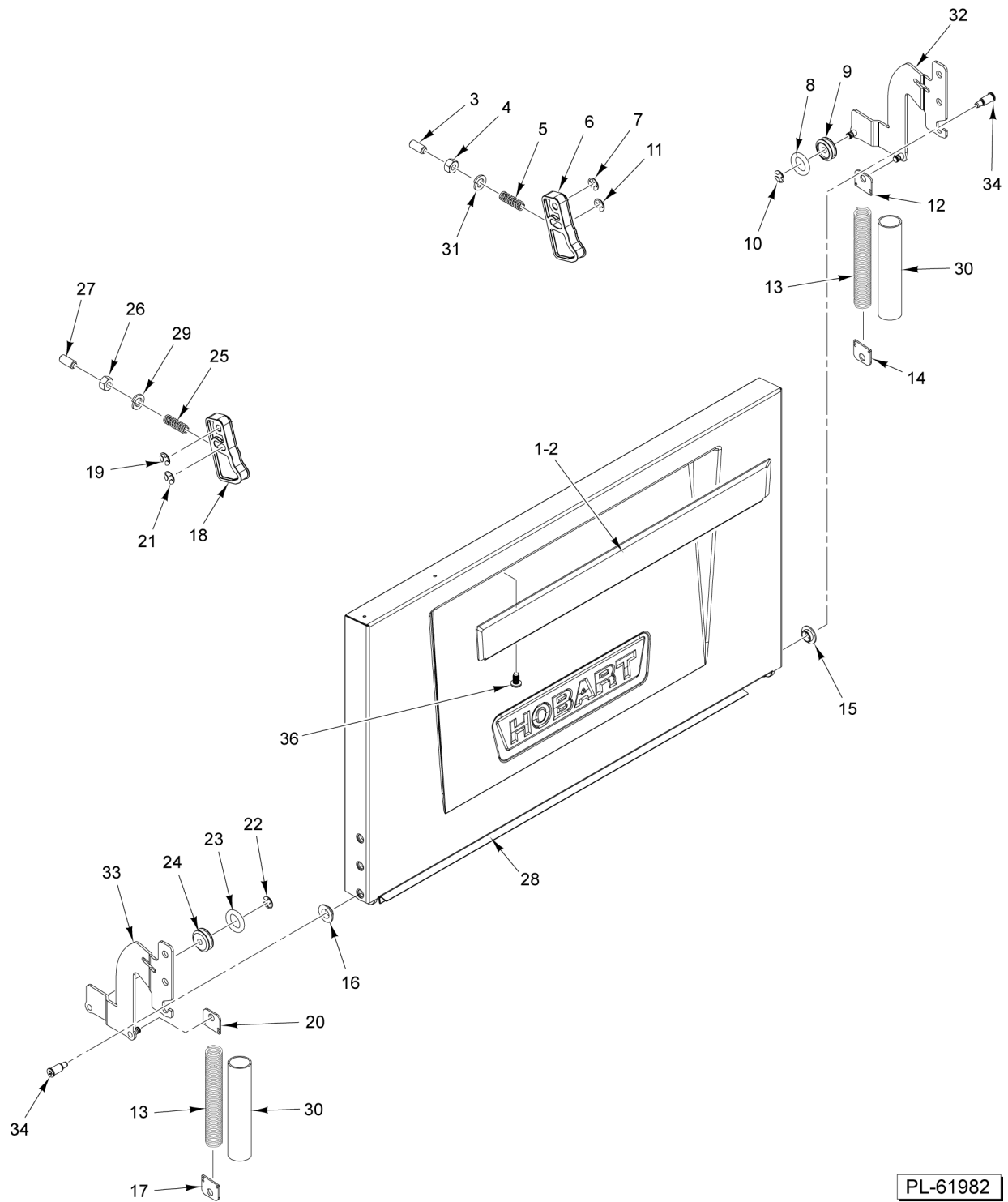


PL-61964

**DOOR ASSEMBLY (LXN)**

## DOOR ASSEMBLY (LXN)

ILLUS.	PART NO.	NAME OF PART	AMT.
PL-61964			
1	00-563520	Handle - Door.....	1
2	00-563520-00002	Handle - Door (Advansys).....	1
3	SC-131-57	Set Screw 5/16-18 x 3/4 Hex Hdls., Dog Pt. (SST).....	1
4	NS-015-11	Nut 5/16-18 Hex (SST).....	1
5	00-941848	Spring - Compression.....	1
6	00-941849	Cam - Door Pivot.....	1
7	RR-006-22	Retaining Ring 1/4 In. (SST).....	1
8	OR-001-23	O-Ring.....	1
9	00-941852	Roller - Cam.....	1
10	RR-006-22	Retaining Ring 1/4 In. (SST).....	1
11	RR-006-22	Retaining Ring 1/4 In. (SST).....	1
12	00-941851	Connector - Spring.....	1
13	00-950061	Spring - Extension.....	2
14	00-941851	Connector - Spring.....	1
15	00-941846	Bearing - Door.....	1
16	00-941846	Bearing - Door.....	1
17	00-941851	Connector - Spring.....	1
18	00-941849	Cam - Door Pivot.....	1
19	RR-006-22	Retaining Ring 1/4 In. (SST).....	1
20	00-941851	Connector - Spring.....	1
21	RR-006-22	Retaining Ring 1/4 In. (SST).....	1
22	RR-006-22	Retaining Ring 1/4 In. (SST).....	1
23	OR-001-23	O-Ring.....	1
24	00-941852	Roller - Cam.....	1
25	00-941848	Spring - Compression.....	1
26	NS-015-11	Nut 5/16-18 Hex (SST).....	1
27	SC-131-57	Set Screw 5/16-18 x 3/4 Hex Hdls., Dog Pt. (SST).....	1
28	00-949324-00001	Door Assy.....	1
29	WL-006-23	Lockwasher 5/16 Helical (SST).....	1
30	00-947934	Cover - Spring.....	2
31	WL-006-23	Lockwasher 5/16 Helical (SST).....	1
32	00-949319-00001	Stop - Door (RH).....	1
33	00-949319-00002	Stop - Door (LH).....	1
34	00-949316	Screw - Pivot.....	6
35	00-919364-00002	Rivnut 1/4-20.....	6
36	SC-125-15	Mach. Screw 1/4-20 x 1/2 Phil. Truss Hd.....	4

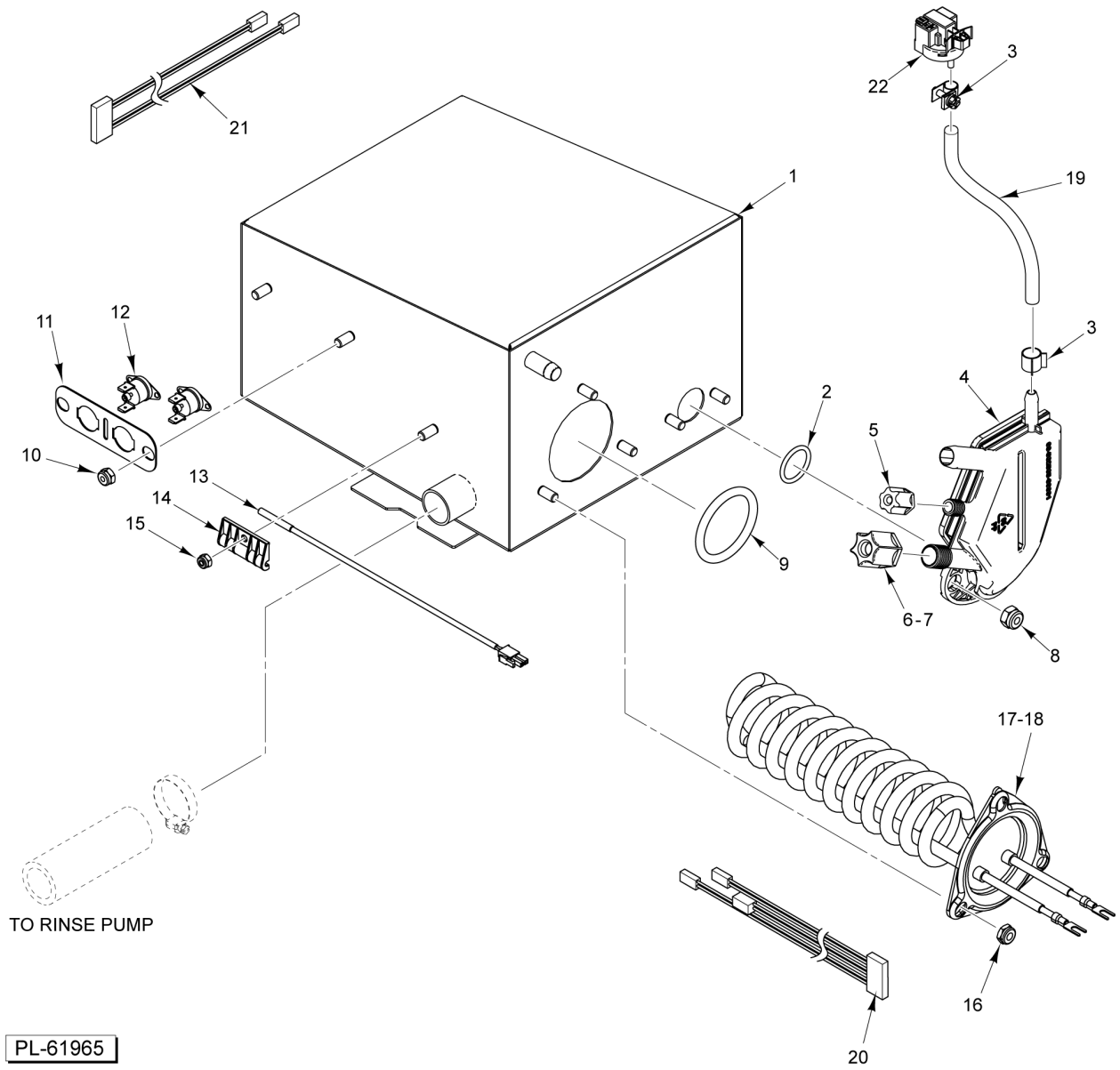


PL-61982

**DOOR ASSEMBLY (LXGN)**

## DOOR ASSEMBLY (LXGN)

ILLUS.	PART NO.	NAME OF PART	AMT.
PL-61982			
1	00-563520	Handle - Door.....	1
2	00-563520-00002	Handle - Door (Advansys).....	1
3	SC-131-57	Set Screw 5/16-18 x 3/4 Hex Hdls., Dog Pt. (SST).....	1
4	NS-015-11	Nut 5/16-18 Hex (SST).....	1
5	00-941848	Spring - Compression.....	1
6	00-941849	Cam - Door Pivot.....	1
7	RR-006-22	Retaining Ring 1/4 In. (SST).....	1
8	OR-001-23	O-Ring.....	1
9	00-941852	Roller - Cam.....	1
10	RR-006-22	Retaining Ring 1/4 In. (SST).....	1
11	RR-006-22	Retaining Ring 1/4 In. (SST).....	1
12	00-941851	Connector - Spring.....	1
13	00-950061	Spring - Extension.....	2
14	00-941851	Connector - Spring.....	1
15	00-941846	Bearing - Door.....	1
16	00-941846	Bearing - Door.....	1
17	00-941851	Connector - Spring.....	1
18	00-941849	Cam - Door Pivot.....	1
19	RR-006-22	Retaining Ring 1/4 In. (SST).....	1
20	00-941851	Connector - Spring.....	1
21	RR-006-22	Retaining Ring 1/4 In. (SST).....	1
22	RR-006-22	Retaining Ring 1/4 In. (SST).....	1
23	OR-001-23	O-Ring.....	1
24	00-941852	Roller - Cam.....	1
25	00-941848	Spring - Compression.....	1
26	NS-015-11	Nut 5/16-18 Hex (SST).....	1
27	SC-131-57	Set Screw 5/16-18 x 3/4 Hex Hdls., Dog Pt. (SST).....	1
28	00-949324-00003	Door Assy.....	1
29	WL-006-23	Lockwasher 5/16 Helical (SST).....	1
30	00-947934	Cover - Spring.....	2
31	WL-006-23	Lockwasher 5/16 Helical (SST).....	1
32	00-949319-00001	Stop - Door (RH).....	1
33	00-949319-00002	Stop - Door (LH).....	1
34	00-949316	Screw - Pivot.....	6
35	00-919364-00002	Rivnut 1/4-20.....	6
36	SC-125-15	Mach. Screw 1/4-20 x 1/2 Phil. Truss Hd.....	4

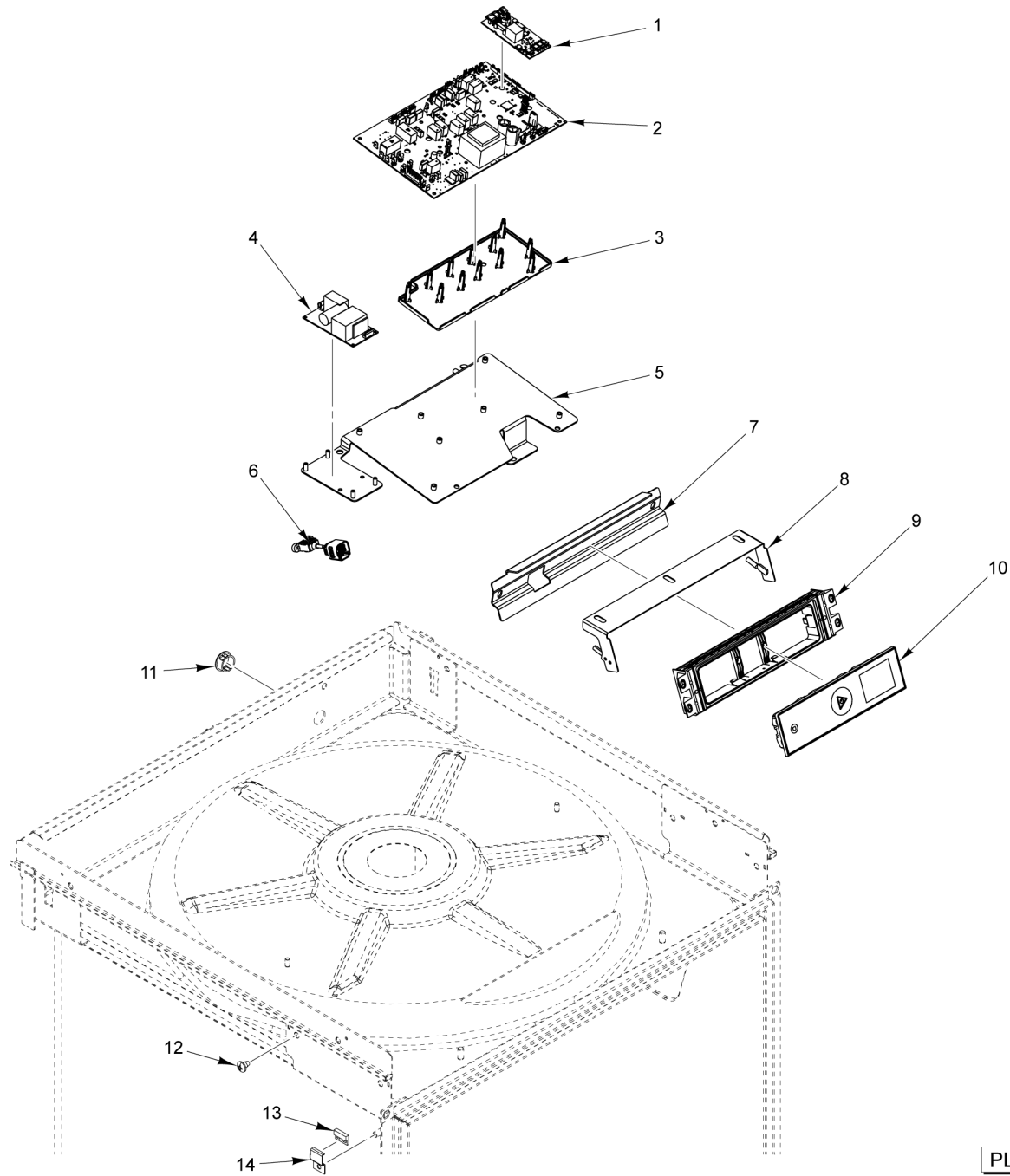


**BOOSTER ASSEMBLY (HOT)**



**BOOSTER ASSEMBLY (HOT)**

ILLUS.	PART NO.	NAME OF PART	AMT.
1	00-563126	Booster.....	1
2	OR-001-21	O-Ring.....	1
3	00-113156-00001	Clamp - Spring Action Hose.....	2
4	00-562565-00001	Air Trap.....	1
5	00-562608-00001	Fitting - Compression 1/8 In.....	1
6	00-562608-00003	Fitting - Compression 1/4 In. (Advansys).....	1
7	00-562608-00004	Fitting - Compression 1/4 In.....	1
8	NS-047-86	Stop Nut 1/4-20 Hex (SST).....	5
9	00-067500-00034	O-Ring.....	1
10	NS-047-82	Stop Nut 1/4-20 Hex (SST).....	2
11	00-941630	Bracket - High Limit.....	1
12	00-942185	Protector - High Limit.....	2
13	01-775612-00001	Thermistor.....	1
14	01-297719-00001	Bracket - Temp. Sensor.....	1
15	NS-031-15	Stop Nut 10-24 Hex (SST).....	1
16	NS-047-86	Stop Nut 1/4-20 Hex (SST).....	3
17	00-563564-00001	Element - Heater (208-240 V., 1 Ph.) (Incls. Item 9).....	1
18	00-563564-00002	Element - Heater (208-240 V., 3 Ph.) (Incls. Item 9).....	1
19	00-562965-00004	Tube (136 In.).....	1
20	00-563145-00001	Harness - Wire (Temperature Probe).....	1
21	00-563146-00001	Harness - Wire (High Limit).....	1
22	01-539157-00001	Sensor - Pressure.....	1

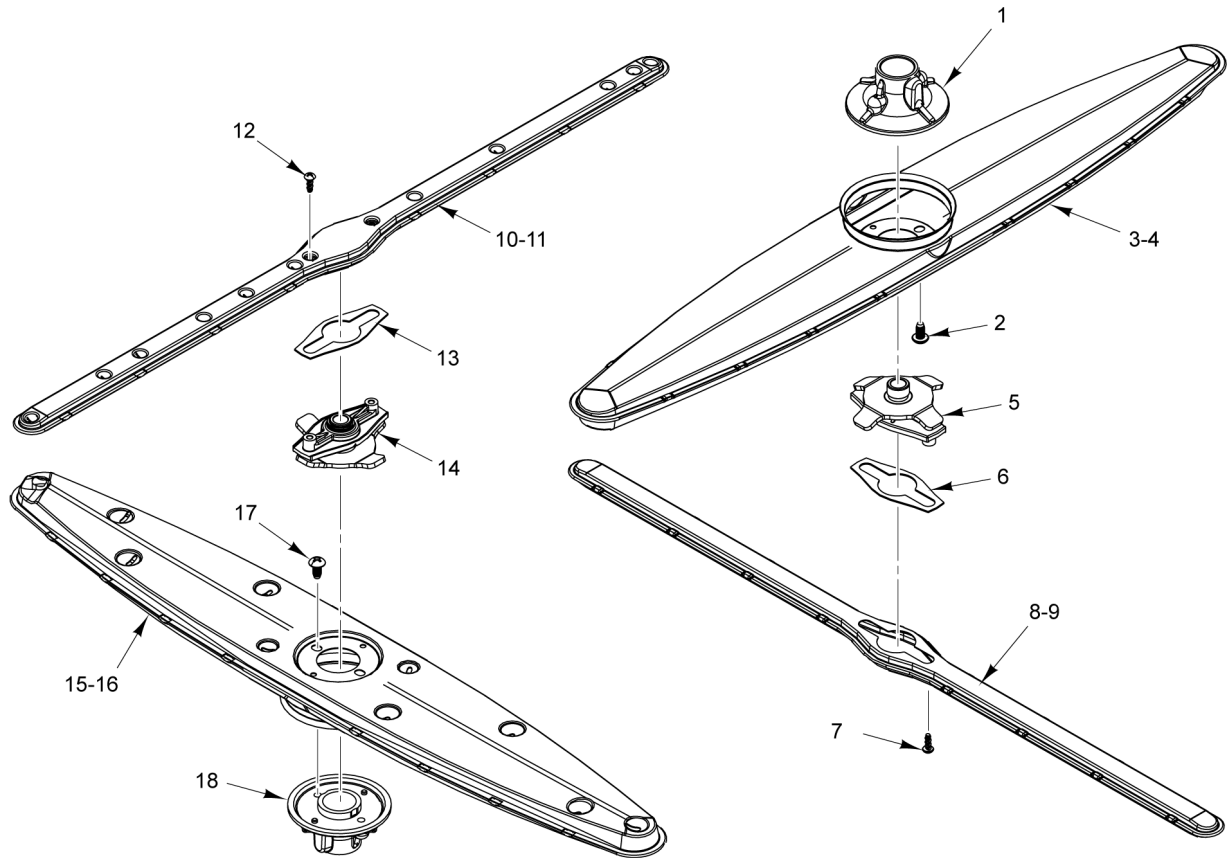


PL-61966

### CONTROL PANEL AND BOARDS

**CONTROL PANEL AND BOARDS**

ILLUS.	PART NO.	NAME OF PART	AMT.
PL-61966			
1	00-975433	Board (Daughter).....	1
2	00-975430-00002	Board.....	1
3	00-562526	Support - Control.....	1
4	00-562538-00004	Power Supply.....	1
5	00-563118-00001	Support - Board.....	1
6	00-563144-00001	Harness (USB).....	1
7	00-563436	Bracket.....	1
8	00-563435-00001	Bracket - Support.....	1
9	04-006186-00001	Support - Bracket.....	1
10	04-006024-00001	Panel - Control.....	1
11	FE-016-02	Bushing - Snap.....	1
12	SD-035-77	Self-Tapping Screw 1/4-20 x 3/8 Phil. Pan Hd., Type TT.....	2
13	00-941429-00004	Switch Assy. - Door.....	1
14	00-941890	Bracket - Reed Switch.....	1

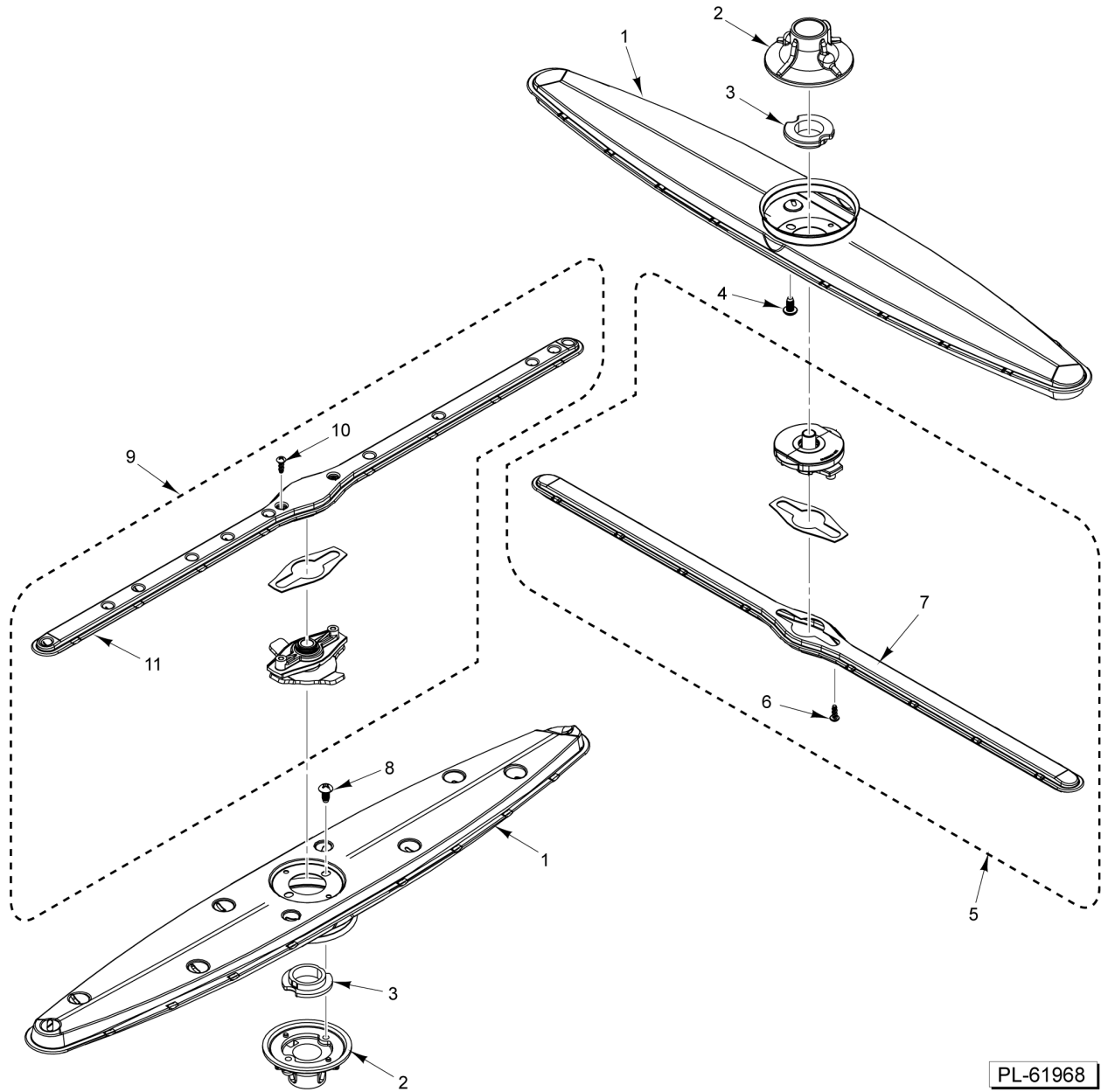


PL-59943

**WASH ARM AND RINSE ARM ASSEMBLY (STANDARD)**

**WASH ARM AND RINSE ARM ASSEMBLY (STANDARD)**

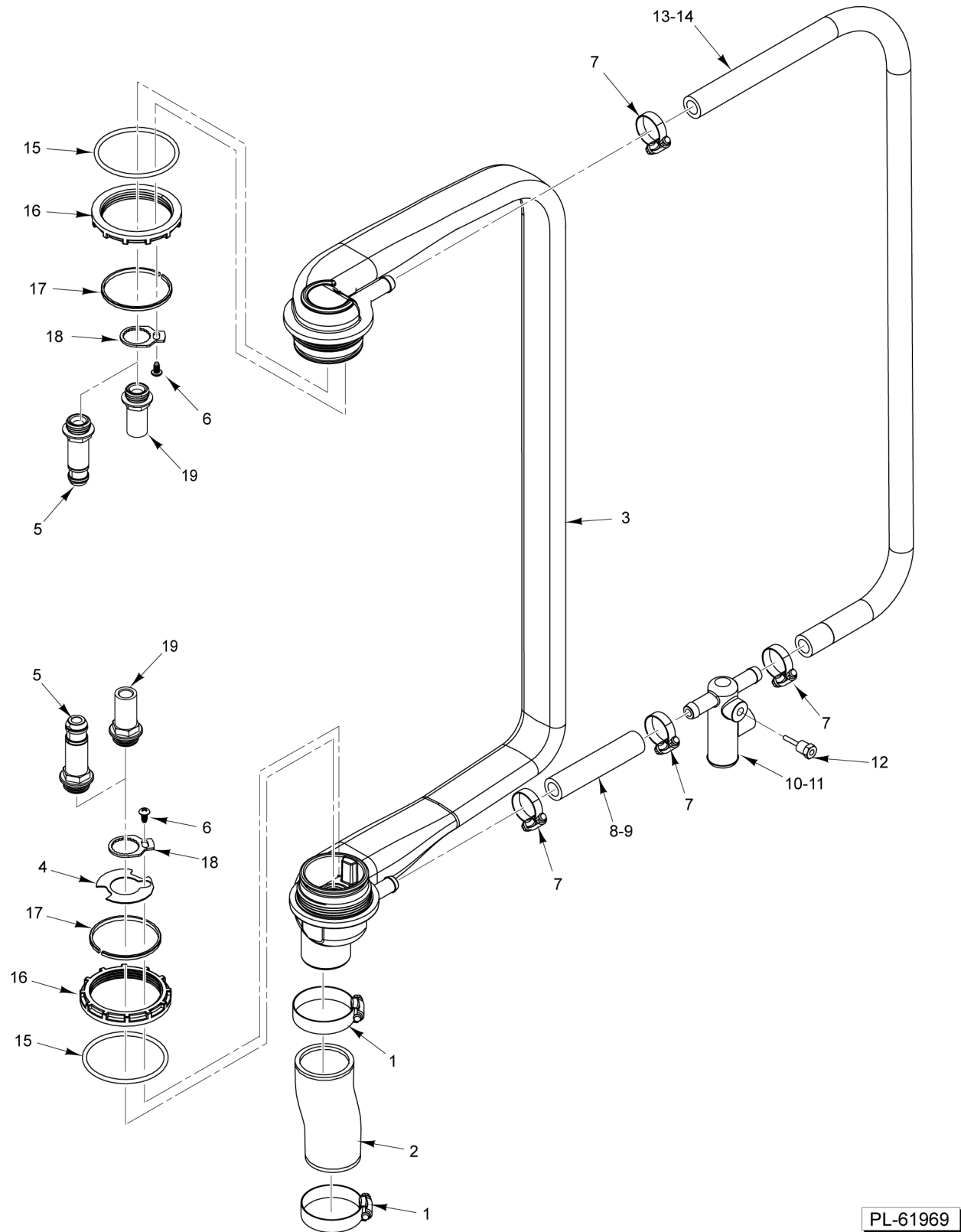
ILLUS. PL-61967	PART NO.	NAME OF PART	AMT.
1	00-941839-00001	Hub - Wash Arm.....	1
2	SD-039-65	Self-Tapping Screw 10-16 x 3/8 Phil. Pan Hd., Type BF (SST).....	2
3	00-941610-00001	Arm - Wash.....	1
4	00-941611-00002	Wash Arm Assy. (Incls. Items 1, 2, & 3).....	1
5	00-941859	Base - Rinse Arm.....	1
6	00-941858	Gasket - Rinse Arm.....	1
7	SD-039-64	Self-Tapping Screw #6-19 x 3/8 Phil. Pan Hd., Type H/L (SST).....	2
8	00-941838-00001	Arm - Rinse.....	1
9	00-941670	Rinse Arm Assy. (Incls. Items 5 thru 8).....	1
10	00-941670	Rinse Arm Assy. (Incls. Items 11 thru 14).....	1
11	00-941838-00001	Arm - Rinse.....	1
12	SD-039-64	Self-Tapping Screw #6-19 x 3/8 Phil. Pan Hd., Type H/L (SST).....	2
13	00-941858	Gasket - Rinse Arm.....	1
14	00-941859	Base - Rinse Arm.....	1
15	00-941611-00002	Wash Arm Assy. (Incls. Items 16, 17, & 18).....	1
16	00-941610-00001	Arm - Wash.....	1
17	SD-039-65	Self-Tapping Screw 10-16 x 3/8 Phil. Pan Hd., Type BF (SST).....	2
18	00-941839-00001	Hub - Wash Arm.....	1



**WASH ARM AND RINSE ARM ASSEMBLY  
(ADVANSYS) (LXN)**

**WASH ARM AND RINSE ARM ASSEMBLY  
(ADVANSYS) (LXN)**

ILLUS. PL-61968	PART NO.	NAME OF PART	AMT.
1	00-941611-00002	Wash Arm Assy.....	2
2	00-941839-00001	Hub - Wash Arm.....	2
3	00-941840	Bushing - Hub (Wash Arm).....	1
4	SD-039-65	Self-Tapping Screw 10-16 x 3/8 Phil. Pan Hd., Type BF (SST).....	2
5	00-974094	Rinse Arm Assy. (Incls. Items 6 & 7).....	1
6	SD-039-64	Self-Tapping Screw #6-19 x 3/8 Phil. Pan Hd., Type H/L (SST).....	2
7	00-941838-00001	Arm - Rinse.....	1
8	SD-039-65	Self-Tapping Screw 10-16 x 3/8 Phil. Pan Hd., Type BF (SST).....	2
9	00-974094	Rinse Arm Assy. (Incls. Items 10 & 11).....	1
10	SD-039-64	Self-Tapping Screw #6-19 x 3/8 Phil. Pan Hd., Type H/L (SST).....	2
11	00-941838-00001	Arm - Rinse.....	1



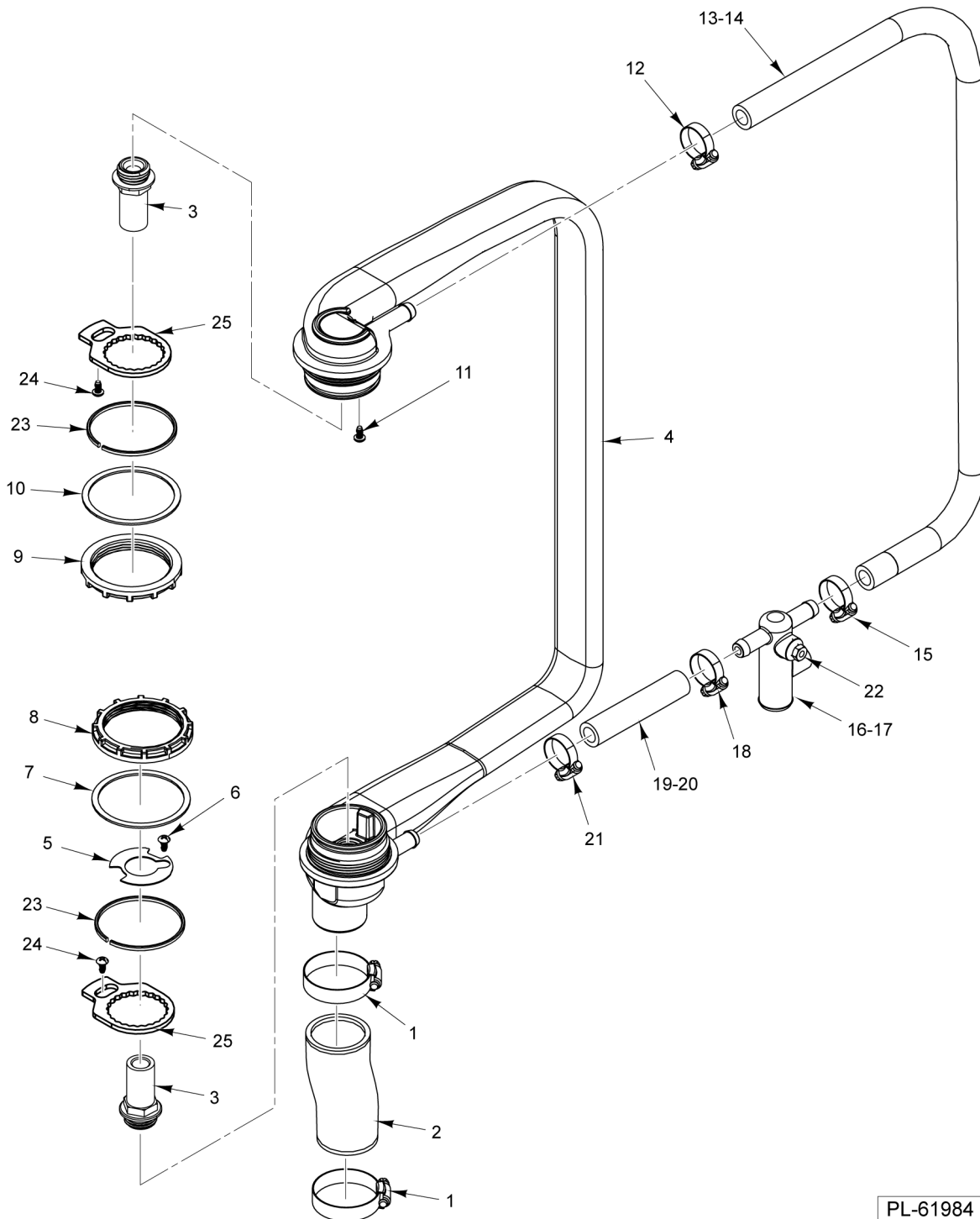
PL-61969

WASH PIPE ASSEMBLY (LXN)



### WASH PIPE ASSEMBLY (LXN)

ILLUS. PL-61969	PART NO.	NAME OF PART	AMT.
1	00-538412	Clamp - Hose.....	2
2	00-941733	Hose - Outlet Pump.....	1
3	00-941636	Wash Tube - Weldment.....	1
4	00-941641	Choke - Wash.....	1
5	00-913170	Kit - Rinse Arm Assy. & Shaft (Incls. Item 18 & Rinse Arm Assy.).....	2
6	SD-039-65	Self-Tapping Screw 10-16 x 3/8 Phil. Pan Hd., Type BF (SST).....	2
7	00-528499	Clamp - Hose.....	4
8	00-329017-00005	Hose - Rinse (Lower) (Hot).....	1
9	00-919977-00003	Hose - Rinse (Lower) (Cold).....	1
10	00-950546-00001	Manifold - Rinse (Hot).....	1
11	00-950549-00002	Manifold - Rinse (Cold).....	1
12	00-328994	Probe Assy. - Rinse.....	1
13	00-329017-00006	Hose - Rinse (Upper) (Hot).....	1
14	00-919977-00004	Hose - Rinse (Upper) (Cold).....	1
15	OR-001-24	O-Ring.....	2
16	00-941682	Nut - Wash.....	2
17	00-948486	Ring - Sealing.....	2
18	00-947883	Retainer - Rinse Shaft.....	2
19	00-949966	Shaft - Rinse.....	2

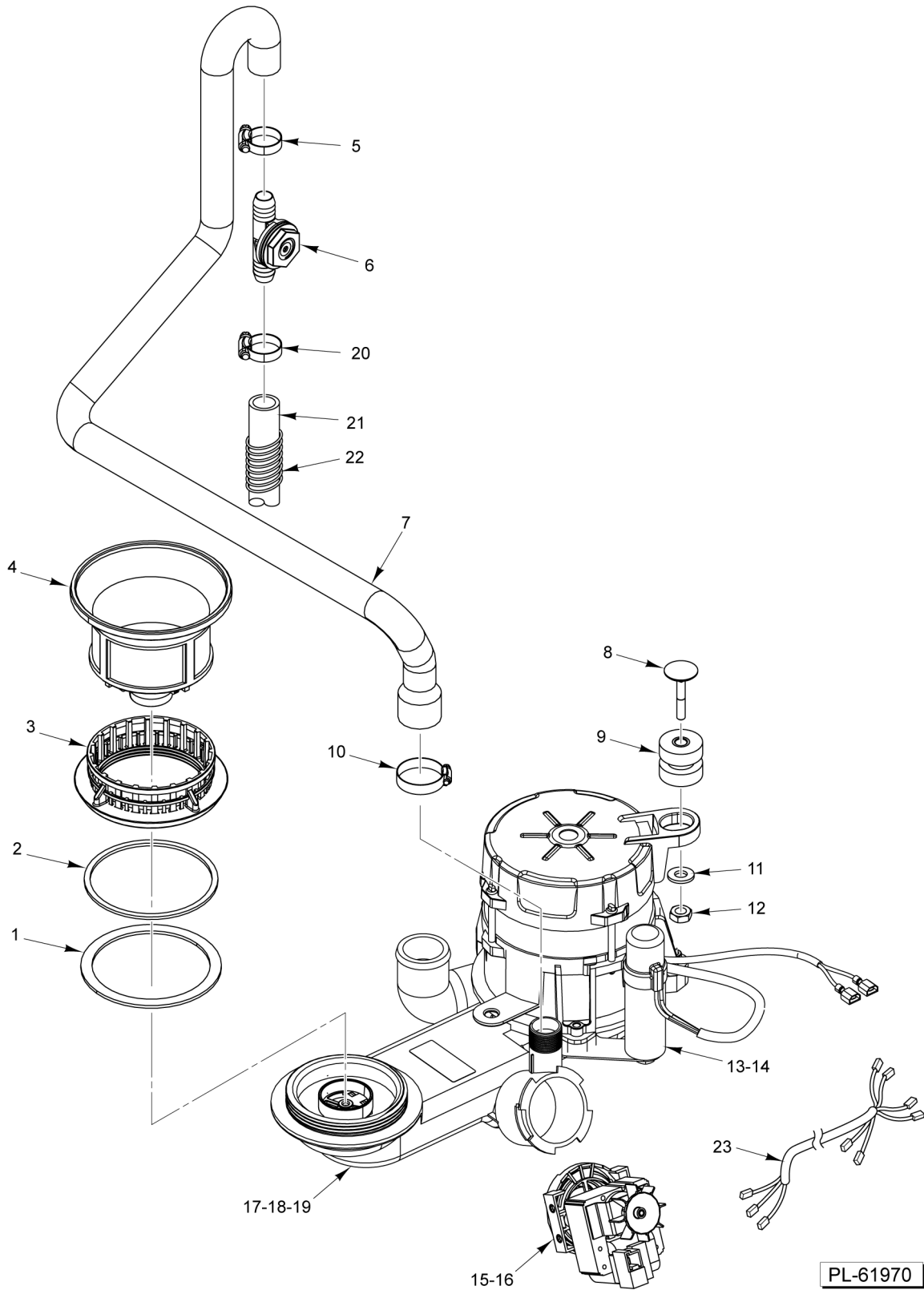


PL-61984

**WASH PIPE ASSEMBLY (LXGN)**

### WASH PIPE ASSEMBLY (LXGN)

ILLUS. PL-61984	PART NO.	NAME OF PART	AMT.
1	00-538412	Clamp - Hose.....	1
2	00-941733	Hose - Outlet Pump.....	1
3	00-949966	Shaft - Rinse.....	2
4	00-941636-00002	Wash Tube - Weldment.....	1
5	00-941641	Choke - Wash.....	1
6	SD-039-65	Self-Tapping Screw 10-16 x 3/8 Phil. Pan Hd., Type BF (SST).....	1
7	OR-001-24	O-Ring.....	1
8	00-941682	Nut - Wash.....	1
9	00-941682	Nut - Wash.....	1
10	OR-001-24	O-Ring.....	1
11	SD-039-65	Self-Tapping Screw 10-16 x 3/8 Phil. Pan Hd., Type BF (SST).....	1
12	00-528499	Clamp - Hose.....	1
13	00-329017-00015	Hose - Rinse (Upper) (Hot).....	1
14	00-919977-00006	Hose - Rinse (Upper) (Cold).....	1
15	00-528499	Clamp - Hose.....	1
16	00-950546-00001	Manifold - Rinse (Hot).....	1
17	00-950549-00002	Manifold - Rinse (Cold).....	1
18	00-528499	Clamp - Hose.....	1
19	00-329017-00005	Hose - Rinse (Lower) (Hot).....	1
20	00-919977-00003	Hose - Rinse (Lower) (Cold).....	1
21	00-528499	Clamp - Hose.....	1
22	00-328994	Probe Assy. - Rinse.....	1
23	00-948486	Ring - Sealing.....	2
24	SD-039-65	Self-Tapping Screw 10-16 x 3/8 Phil. Pan Hd., Type BF (SST).....	2
25	00-947883	Retainer - Rinse Shaft.....	2

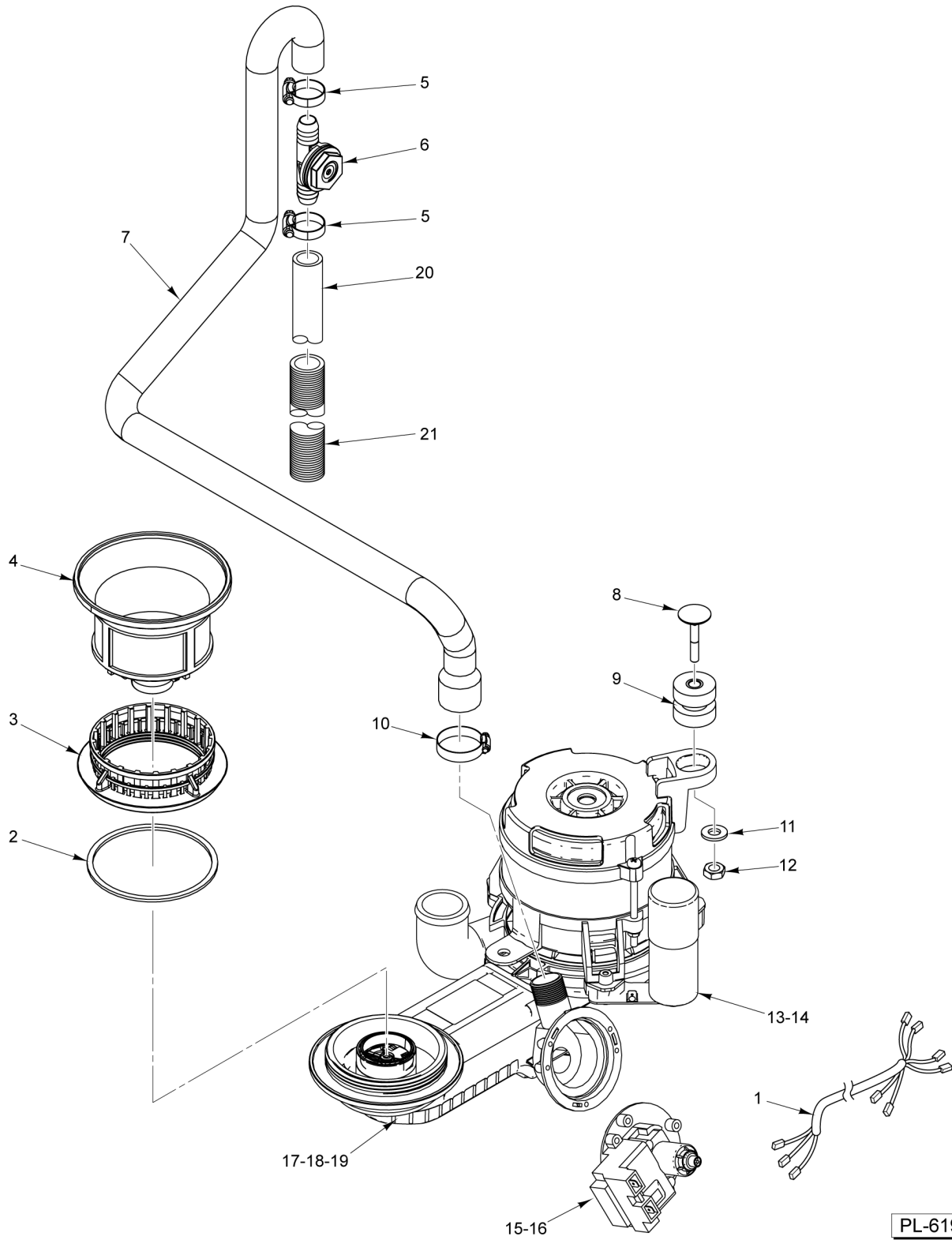


PL-61970

**WASH PUMP AND DRAIN  
(WITH INTEGRATED FAN) (LXN)**

**WASH PUMP AND DRAIN  
(WITH INTEGRATED FAN) (LXN)**

ILLUS. PL-61970	PART NO.	NAME OF PART	AMT.
1	01-240296-00001	Ring.....	1
2	00-942093	Gasket - Wash Pump.....	1
3	01-515055-00001	Nut.....	1
4	01-240003-00002	Strainer - Sieve (Fine).....	1
5	00-528499	Clamp - Hose.....	1
6	00-918217	Tee - Check Valve.....	1
7	00-941773	Hose - Drain.....	1
8	00-941796	Bolt - Damper Carriage.....	1
9	01-240186-00001	Damper - Vibration.....	1
10	00-557627	Clamp - Hose.....	1
11	WS-017-06	Washer (SST).....	1
12	NS-047-82	Stop Nut 1/4-20 Hex (SST).....	1
13	00-942101-00002	Capacitor (120 V., 60 Hz., 1 Ph.).....	1
14	00-942101-00001	Capacitor (208-240 V., 50/60 Hz., 1 Ph.).....	1
15	00-942100-00001	Pump - Drain (60 Hz.).....	1
16	00-942100-00002	Pump - Drain (50 Hz.).....	1
17	00-942095-00001	Pump Assy. (Wash) (120 V., 60 Hz., 1 Ph.) (LXnC, LXnPR, LXGnPR) (Incls. Items 13, & 15).....	1
18	00-942095-00002	Pump Assy. (Wash) (208-240 V., 60 Hz., 1 Ph.) (LXnH, LXnR, LXGnR) (Incls. Items 14, & 15).....	1
19	00-942095-00003	Pump Assy. (Wash) (208-240 V., 50 Hz., 1 Ph.) (LXnH, LXnR, LXGnReSR ) (Incls. Items 14, & 16).....	1
20	00-528499	Clamp - Hose.....	1
21	00-292856-00002	Hose - Drain (84 In.).....	1
22	00-476664-00001	Spring - Drain Hose.....	1
23	00-563142-00001	Harness - Wire (Pump).....	1
24	00-974846	Cover - Drain Hose.....	1

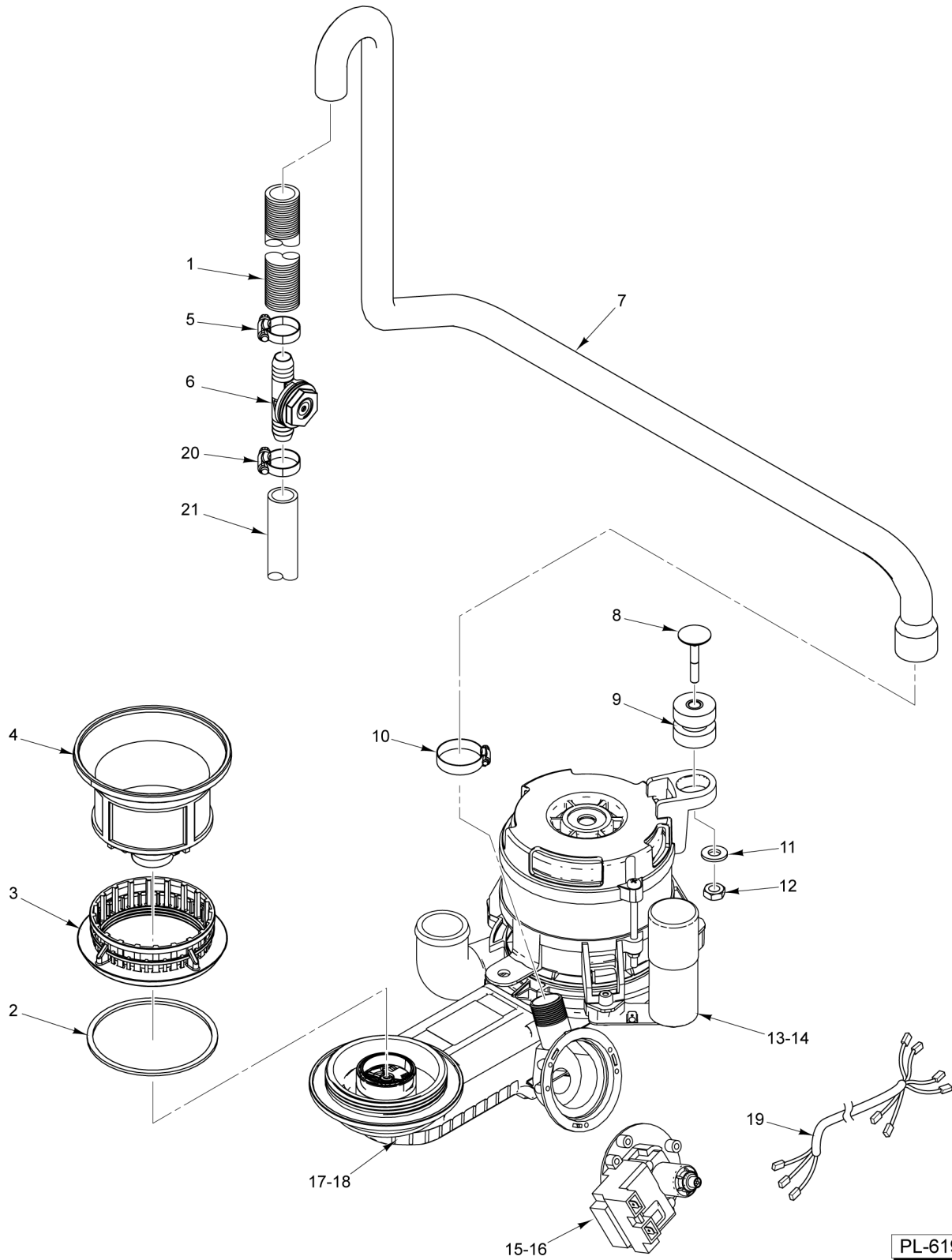


PL-61971

**WASH PUMP AND DRAIN  
(WITHOUT INTEGRATED FAN) (LXN)**

**WASH PUMP AND DRAIN  
(WITHOUT INTEGRATED FAN) (LXN)**

ILLUS. PL-61971	PART NO.	NAME OF PART	AMT.
1	00-563142-00001	Harness - Wire (Pump).....	1
2	00-942093	Gasket - Wash Pump.....	1
3	01-515055-00001	Nut.....	1
4	01-240003-00002	Strainer - Sieve (Fine).....	1
5	00-528499	Clamp - Hose.....	2
6	00-918217	Tee - Check Valve.....	1
7	00-941773	Hose - Drain.....	1
8	00-941796	Bolt - Damper Carriage.....	1
9	01-240186-00001	Damper - Vibration.....	1
10	00-557627	Clamp - Hose.....	1
11	WS-017-06	Washer (SST).....	1
12	NS-047-82	Stop Nut 1/4-20 Hex (SST).....	1
13	00-562552-00002	Capacitor (120 V., 60 Hz., 1 Ph.).....	1
14	00-562552-00001	Capacitor (208-240 V., 50/60 Hz., 1 Ph.).....	1
15	00-562551-00001	Pump - Drain (60 Hz.).....	1
16	00-562551-00002	Pump - Drain (50 Hz.).....	1
17	00-563012-00001	Kit - Pump Assy. (Wash) (120 V., 60 Hz., 1 Ph.) (LXnC ) (Incls. Items 13 & 15).....	1
18	00-563012-00002	Kit - Pump Assy. (Wash) (208-240 V., 60 Hz., 1 Ph.) (LXnH, LXnR) (Incls. Items 14 & 15).....	1
19	00-563012-00003	Kit - Pump Assy. (Wash) (220-240 V., 50 Hz., 1 Ph.) (LXnH, LXnR) (Incls. Items 14 & 16).....	1
20	00-292856-00002	Hose - Drain.....	1
21	00-974846	Cover - Drain Hose.....	1

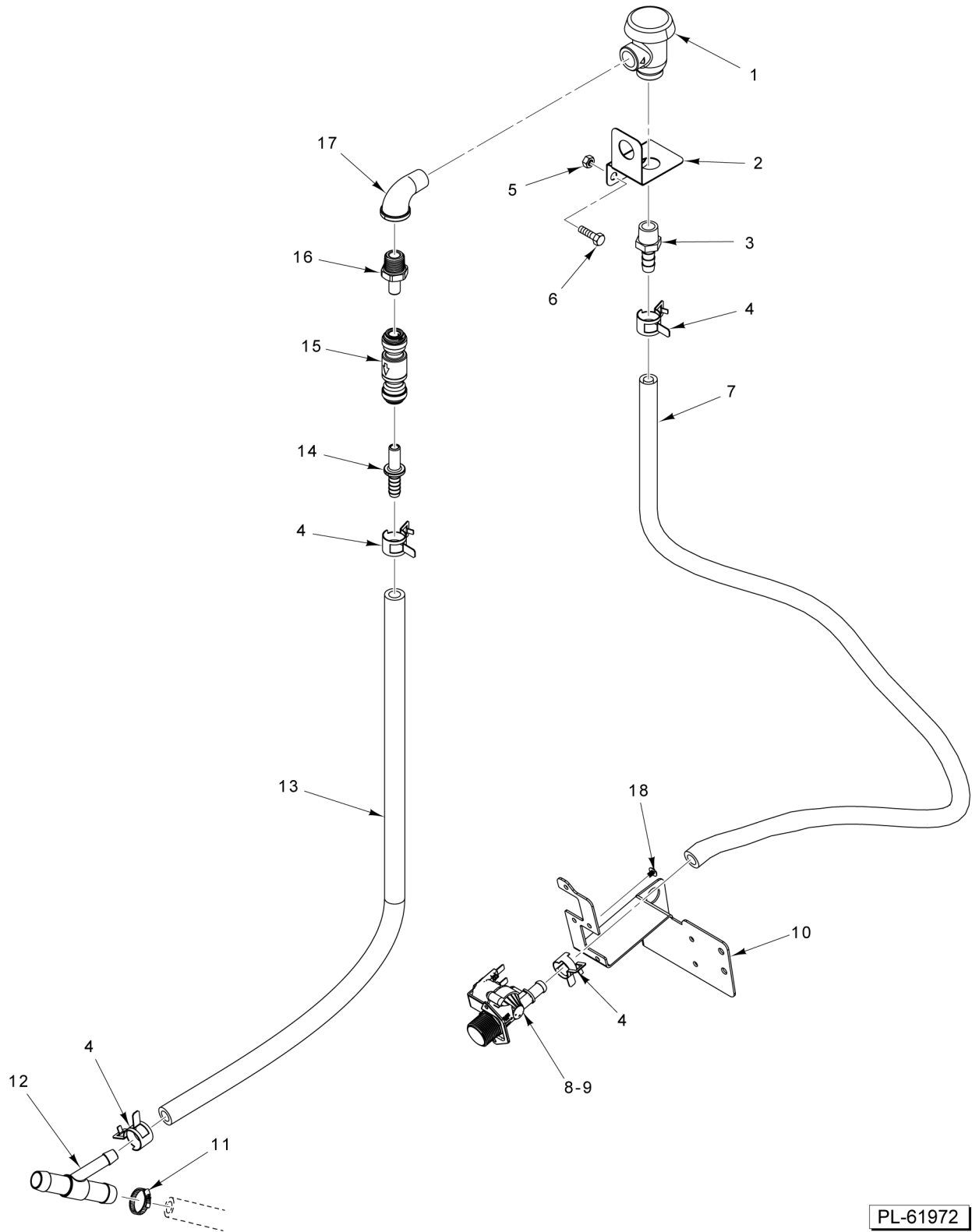


**WASH PUMP AND DRAIN (LXGN)**



**WASH PUMP AND DRAIN (LXGN)**

ILLUS.	PART NO.	NAME OF PART	AMT.
PL-61985			
1	00-974846	Cover - Drain Hose.....	1
2	00-942093	Gasket - Wash Pump.....	1
3	01-515055-00001	Nut.....	1
4	01-240003-00002	Strainer - Sieve (Fine).....	1
5	00-528499	Clamp - Hose.....	1
6	00-918217	Tee - Check Valve.....	1
7	00-949440	Hose - Drain.....	1
8	00-941796	Bolt - Damper Carriage.....	1
9	01-240186-00001	Damper - Vibration.....	1
10	00-557627	Clamp - Hose.....	1
11	WS-017-06	Washer (SST).....	1
12	NS-047-82	Stop Nut 1/4-20 Hex (SST).....	1
13	00-562552-00002	Capacitor (120 V., 60 Hz., 1 Ph.).....	1
14	00-562552-00001	Capacitor (208-240 V., 50/60 Hz., 1 Ph.).....	1
15	00-562551-00001	Pump - Drain (60 Hz.).....	1
16	00-562551-00002	Pump - Drain (50 Hz.).....	1
17	00-563012-00001	Kit - Pump Assy. (Wash) (120 V., 60 Hz., 1 Ph.) (LXnC) (Incls. Items 13 & 15).....	1
18	00-563012-00002	Kit - Pump Assy. (Wash) (208-240 V., 60 Hz., 1 Ph.) (LXnH) (Incls. Items 14 & 15) .....	1
19	00-563142-00001	Harness - Wire (Pump).....	1
20	00-528499	Clamp - Hose.....	1
21	00-292856-00002	Hose - Drain.....	1

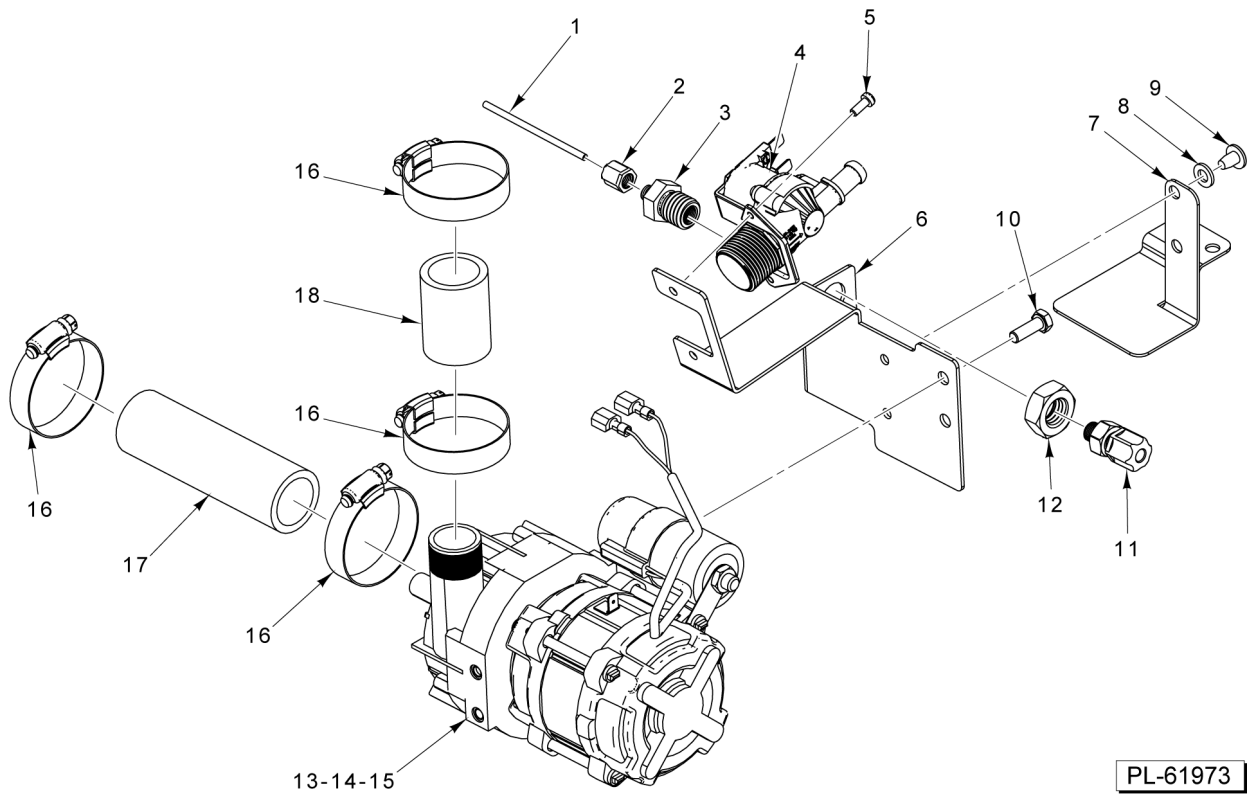


PL-61972

**DRAIN WASH TEMPERING**

**DRAIN WASH TEMPERING**

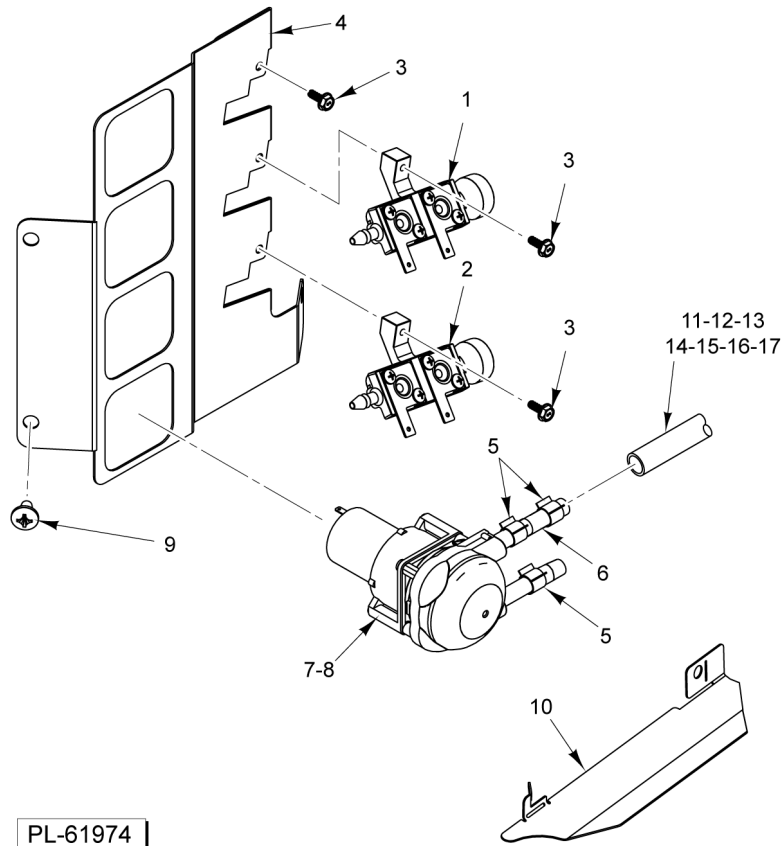
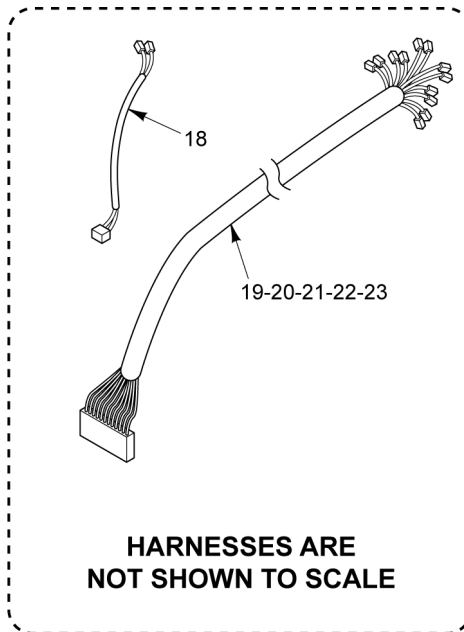
ILLUS.	PART NO.	NAME OF PART	AMT.
PL-61972			
1	00-271008	Vacuum Breaker (3/8 In.).....	1
2	00-942104	Mount - Breaker.....	1
3	FP-090-30	Fitting - Hose 3/8 to 3/8 NPT (Brass).....	1
4	00-558090	Clamp.....	4
5	NS-047-82	Stop Nut 1/4-20 Hex (SST).....	4
6	SC-041-50	Cap Screw 1/4-20 x 1/2 Hex Hd. (SST).....	4
7	00-941726-00009	Hose 3/8 x 22.....	1
8	00-563072-00002	Valve.....	1
9	00-563073	Valve (Advansys).....	1
10	00-563131-00002	Bracket - Pump.....	1
11	00-528499	Clamp - Hose.....	2
12	00-942160	Adapter - Tee.....	1
13	00-941726-00010	Hose 3/8 x 26-1/2.....	1
14	FP-091-34	Fitting 3/8 Stem x 3/8 Barb.....	1
15	FP-091-35	Valve - Check (3/8 In.) (Quick Connect).....	1
16	FP-091-33	Fitting 3/8 NPT x 3/8 Stem.....	1
17	FP-015-10	Elbow - Street 3/8 x 90 Deg.....	1
18	SD-008-17	Self-Tapping Screw 6-20 x 3/8 Phil. Bndg. Hd., Type B.....	2



**RINSE PUMP**

## RINSE PUMP

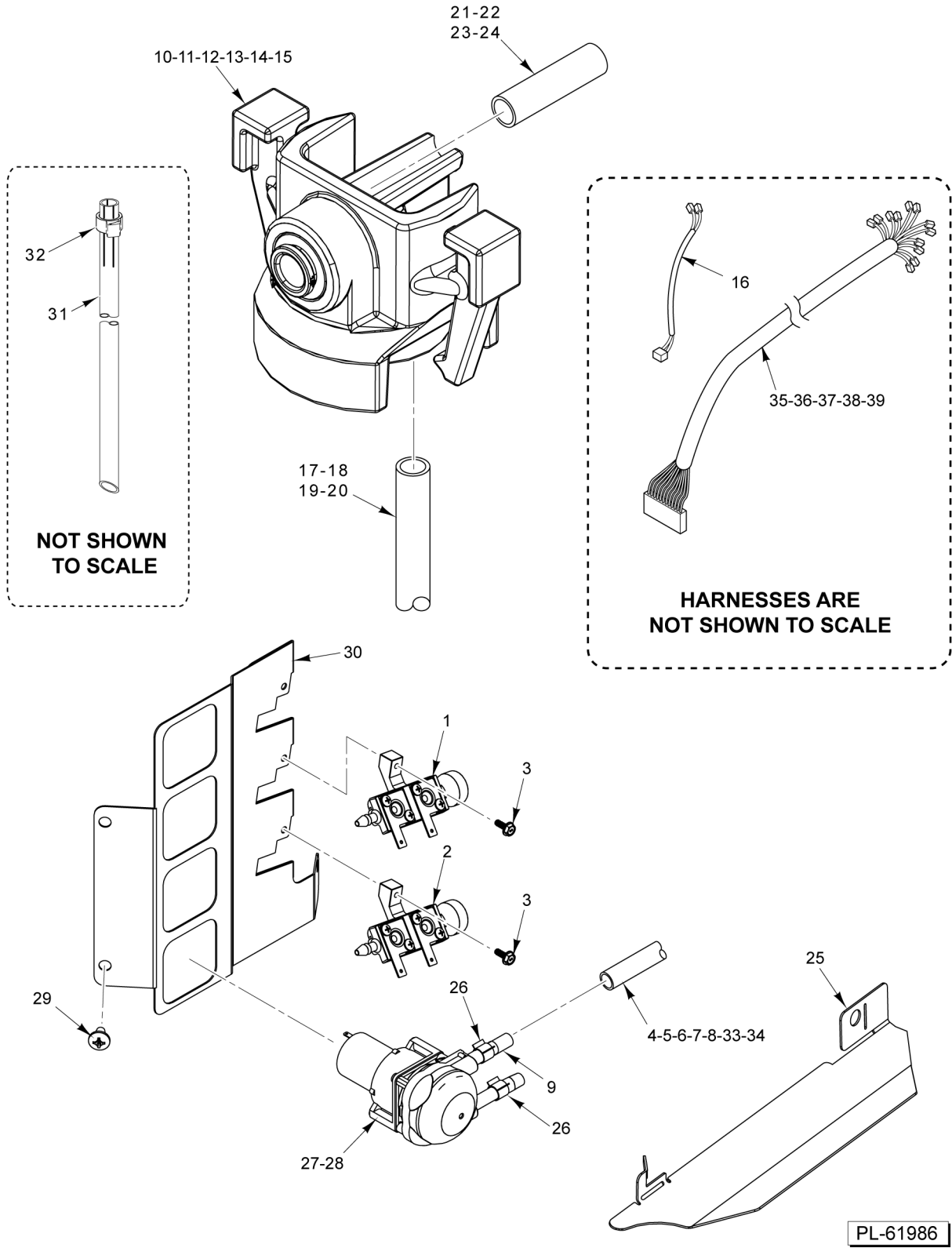
ILLUS.	PART NO.	NAME OF PART	AMT.
PL-61973			
1	00-563074-00007	Tube.....	AR
2	00-562608-00001	Fitting - Compression 1/8 In.....	2
3	00-562596	Fitting.....	2
4	00-563072-00002	Valve.....	1
5	SC-122-37	Mach. Screw M4 x 0.7 x 10mm Phil. Pan Hd. (SST).....	2
6	00-563131	Bracket - Fill Valve.....	1
7	00-941771	Bracket - Pump (Rinse).....	1
8	WL-006-17	Lockwasher 1/4 Helical (SST).....	2
9	SD-035-77	Self-Tapping Screw 1/4-20 x 3/8 Phil. Pan Hd., Type TT.....	2
10	SC-120-48	Cap Screw M6 x 1.0 x 18mm Hex Hd. (SST).....	2
11	FP-092-29	Fitting 1/4 Comp. x 1/8 NPT.....	2
12	NS-049-61	Nut.....	2
13	00-942096-00001	Pump - Rinse (115-120 V., 60Hz).....	1
14	00-942096-00002	Pump - Rinse (208-240 V., 60 Hz.).....	1
15	00-942096-00003	Pump - Rinse (220-240 V., 50Hz).....	1
16	00-547519	Clamp - Hose.....	AR
17	00-941731-00002	Hose - Inlet (4 In.).....	1
18	00-941731-00001	Hose - Outlet (1-3/4 In.).....	1



**CHEMICAL PUMPS AND SENSORS (LXN)**

## CHEMICAL PUMPS AND SENSORS (LXN)

ILLUS.	PART NO.	NAME OF PART	AMT.
PL-61974			
1	00-950372-00002	Sensor (Chemical) (Detergent/Sanitizer).....	1
2	00-950372-00003	Sensor (Chemical) (Rinse Aid).....	1
3	SD-039-64	Self-Tapping Screw #6-19 x 3/8 Phil. Pan Hd., Type H/L (SST).....	AR
4	00-941758	Bracket - Chemical Pump.....	1
5	00-113156-00001	Clamp - Spring Action Hose.....	2
6	00-949651-00001	Tubing Kit (Includes Spring, Clamp, & Tube) (Used on Welco Pumps Only).....	AR
7	00-941638-00002	Pump - Chemical (Blue) (Incls. Item 6).....	1
8	00-941638-00004	Pump - Chemical (Green) (Delime) (Advansys Only) (Incls. Item 6).....	1
9	SD-035-77	Self-Tapping Screw 1/4-20 x 3/8 Phil. Pan Hd., Type TT.....	AR
10	00-563153	Pan - Drip.....	1
11	00-185105-00029	Tubing (Black) (144 In.) (Supply to Delime Pump).....	AR
12	00-185105-00004	Tube - Clear (Supply to Pump) (1/4 O.D. x 144 Lg.) (Pump to Sanitizer).....	AR
13	00-185105-00004	Tube - Clear (Supply to Pump) (1/4 O.D. x 144 Lg.) (Pump to R/A Cold).....	AR
14	00-185105-00004	Tube - Clear (Supply to Pump) (1/4 O.D. x 144 Lg.) (Pump to R/A Hot).....	AR
15	00-185105-00004	Tube - Clear (Supply to Pump) (1/4 O.D. x 144 Lg.) (Pump to Delime Cold).....	AR
16	00-185105-00006	Tube - Blue (1/4 O.D. x 144 Lg.) (Supply to R/A pump).....	1
17	00-185105-00002	Tube - Red (1/4 O.D. x 144 Lg.) (Supply to Detergent pump).....	1
18	00-563142-00007	Harness - Wire (Delime Pump) (Advansys Only).....	1
19	00-563142-00009	Harness - Wire (Detergent Pump Cable).....	1
20	00-563142-00008	Harness - Wire (Rinse Aid Pump).....	1
21	00-563145-00002	Harness - Wire (Chemical Sensor) (Hot Only).....	1
22	00-563145-00003	Harness - Wire (Chemical Sensor) (Cold Only).....	1
23	00-563142-00010	Harness - Wire (Sanitizer) (Cold Only).....	1



**CHEMICAL PUMPS AND SENSORS (LXGN)**



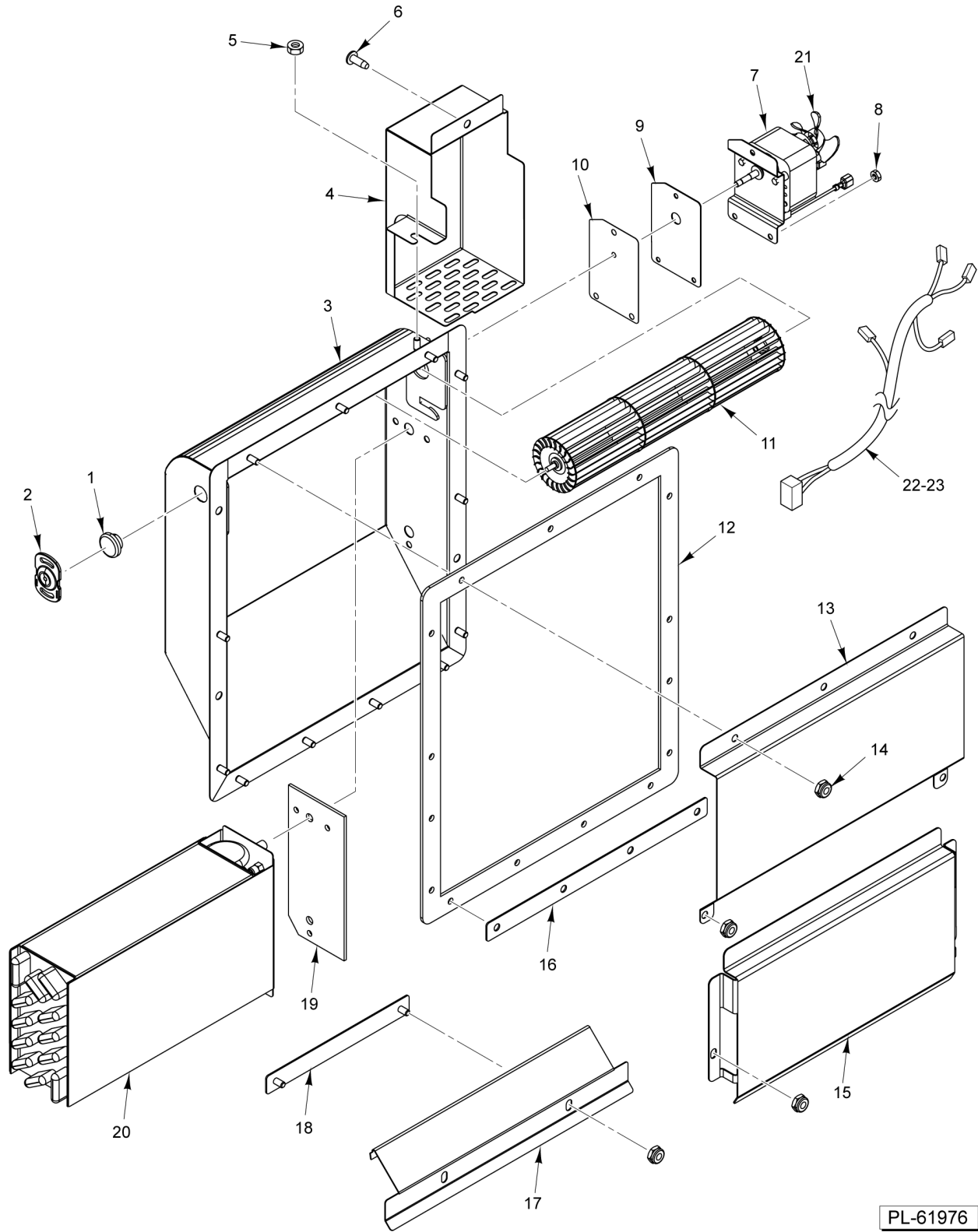
## CHEMICAL PUMPS AND SENSORS (LXGN)

ILLUS. PL-61986	PART NO.	NAME OF PART	AMT.
1	00-950372-00002	Sensor (Chemical) (Detergent/Sanitizer).....	1
2	00-950372-00003	Sensor (Chemical) (Rinse Aid).....	1
3	SD-039-64	Self-Tapping Screw #6-19 x 3/8 Phil. Pan Hd., Type H/L (SST).....	2
4	00-185105-00029	Tubing (Black) (144 In.) (Supply to Delime Pump).....	AR
5	00-185105-00004	Tube - Clear (Supply to Pump) (1/4 O.D. x 144 Lg.) (Pump to Sanitizer).....	AR
6	00-185105-00004	Tube - Clear (Supply to Pump) (1/4 O.D. x 144 Lg.) (Pump to R/A Cold).....	AR
7	00-185105-00004	Tube - Clear (Supply to Pump) (1/4 O.D. x 144 Lg.) (Pump to R/A Hot).....	AR
8	00-185105-00004	Tube - Clear (Supply to Pump) (1/4 O.D. x 144 Lg.) (Pump to Delime Cold).....	AR
9	00-949651-00001	Tubing Kit (Includes Spring, Clamp, & Tube) (Used on Welco Pumps Only).....	AR
10	00-949306-00002	Cap - Chemical Bottle.....	AR
11	00-950025-00001	Cap Assy. - Chemical Bottle (Detergent) (Incls. Items 10, 17, & 21).....	AR
12	00-950025-00002	Cap Assy. - Chemical Bottle (Sanitizer) (Incls. Items 10, 18, & 22).....	AR
13	00-950025-00003	Cap Assy. - Chemical Bottle (Rinse Aid) (Incls. Items 10, 19, & 23).....	AR
14	00-950025-00004	Cap Assy. - Chemical Bottle (Delime) (Incls. Items 10, 20, & 24).....	AR
15	00-975024	Assy. - Suction Strainer.....	1
16	00-563142-00007	Harness - Wire (Delime Pump) (Advansys Only).....	1
17	00-185105-00002	Tube - Red (1/4 O.D. x 144 Lg.).....	AR
18	00-185105-00006	Tube - Blue (1/4 O.D. x 144 Lg.).....	AR
19	00-185105-00029	Tubing (Black) (144 In.).....	AR
20	00-185105-00004	Tube - Clear (Supply to Pump) (1/4 O.D. x 144 Lg.).....	AR
21	00-185105-00039	Tubing (Red) (1 In.).....	AR
22	00-185105-00041	Tubing (Blue) (1 In.).....	AR
23	00-185105-00042	Tubing (Black) (1 In.).....	AR
24	00-185105-00040	Tubing (Clear) (1 In.).....	AR
25	00-563153	Pan - Drip.....	1
26	00-113156-00001	Clamp - Spring Action Hose.....	2
27	00-941638-00002	Pump - Chemical (Blue) (Incls. Item 9).....	AR
28	00-941638-00004	Pump - Chemical (Green) (Delime) (Advansys Only) (Incls. Item 9).....	1
29	SD-035-77	Self-Tapping Screw 1/4-20 x 3/8 Phil. Pan Hd., Type TT.....	2
30	00-941758	Bracket - Chemical Pump.....	1
31	00-975025	Assy. - Foot Valve (Incls. Item 32).....	1
32	00-975029	Valve - Foot.....	1
33	00-185105-00006	Tube - Blue (1/4 O.D. x 144 Lg.) (Pump to Rinse Aid).....	AR
34	00-185105-00002	Tube - Red (1/4 O.D. x 144 Lg.) (Pump to Detergent).....	AR
35	00-563142-00009	Harness - Wire (Detergent Pump Cable).....	1
36	00-563142-00008	Harness - Wire (Rinse Aid Pump).....	1
37	00-563145-00002	Harness - Wire (Chemical Sensor) (Hot Only).....	1
38	00-563145-00003	Harness - Wire (Chemical Sensor) (Cold Only).....	1
39	00-563142-00010	Harness - Wire (Sanitizer) (Cold Only).....	1



**RECOVERY TANK ASSEMBLY  
(COLD) MOLDED TANK**

ILLUS.	PART NO.	NAME OF PART	AMT.
PL-61975			
1	00-974700	Tank - Recovery.....	1
2	FP-092-85	Fitting - Tube 1/8.....	1
3	00-185105-00043	Tube - Pump to Recover Assy.....	1
4	NS-047-82	Stop Nut 1/4-20 Hex (SST).....	2
5	WS-017-06	Washer (SST).....	2
6	SC-041-05	Cap Screw 1/4-20 x 5/8 Hex Hd. (SST).....	2
7	00-974692	Mount - Booster.....	1
8	SC-041-50	Cap Screw 1/4-20 x 1/2 Hex Hd. (SST).....	2
9	00-974599	Hose - Rinse Pump Inlet.....	1
10	00-557627	Clamp - Hose.....	1
11	00-113156-00001	Clamp - Spring Action Hose.....	2
12	00-974388-00003	Tube - PVC (28").....	1
13	00-974598-00003	Kit - Holding Tank Assy. (Incls. Items 1 thru 12).....	1
14	00-974533	Pressure Transducer.....	1

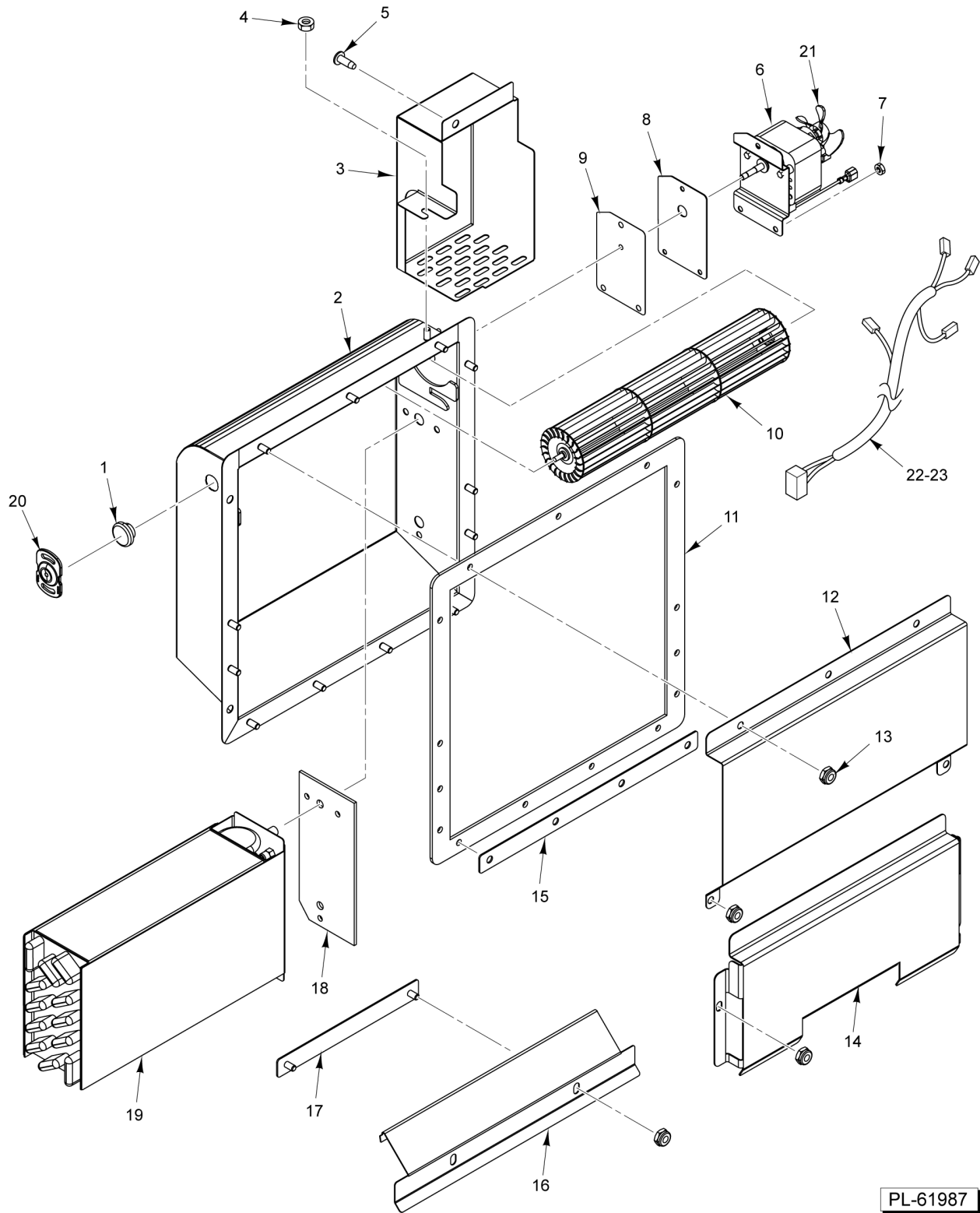


PL-61976

**VAPOR ELIMINATOR ASSEMBLY (LXN)**

### VAPOR ELIMINATOR ASSEMBLY (LXN)

ILLUS.	PART NO.	NAME OF PART	AMT.
PL-61976			
1	00-941452	Bearing - Fan Wheel.....	1
2	00-975019	Kit - Bearing Cover (Incls. Item 1).....	1
3	00-941417	Enclosure - Vapor Condenser.....	1
4	00-941558	Cover - Motor.....	1
5	NS-047-82	Stop Nut 1/4-20 Hex (SST).....	1
6	SC-041-50	Cap Screw 1/4-20 x 1/2 Hex Hd. (SST).....	1
7	00-941538-00002	Motor Assy. (Incls. Item 22).....	1
8	NS-031-15	Stop Nut 10-24 Hex (SST).....	3
9	00-941535	Plate - Seal.....	1
10	00-941536	Seal - Fan Shaft.....	1
11	00-941451	Wheel - Fan.....	1
12	00-941537	Seal - Vapor Box.....	1
13	00-941564	Baffle - Upper.....	1
14	NS-047-82	Stop Nut 1/4-20 Hex (SST).....	AR
15	00-941565	Baffle - Lower.....	1
16	00-941412	Plate - Reinforcement.....	1
17	00-941446	Channel - Fan.....	1
18	00-941749	Mount - Fan Channel.....	1
19	00-941533	Seal - Heat Exchanger.....	1
20	00-941531	Heat Exchanger - Vapor Eliminator.....	1
21	00-949859	Fan - Cooling.....	1
22	00-563140-00022	Harness - Wire (Steam Elimination).....	1
23	00-563140-00023	Harness - Wire (Steam Elimination).....	1

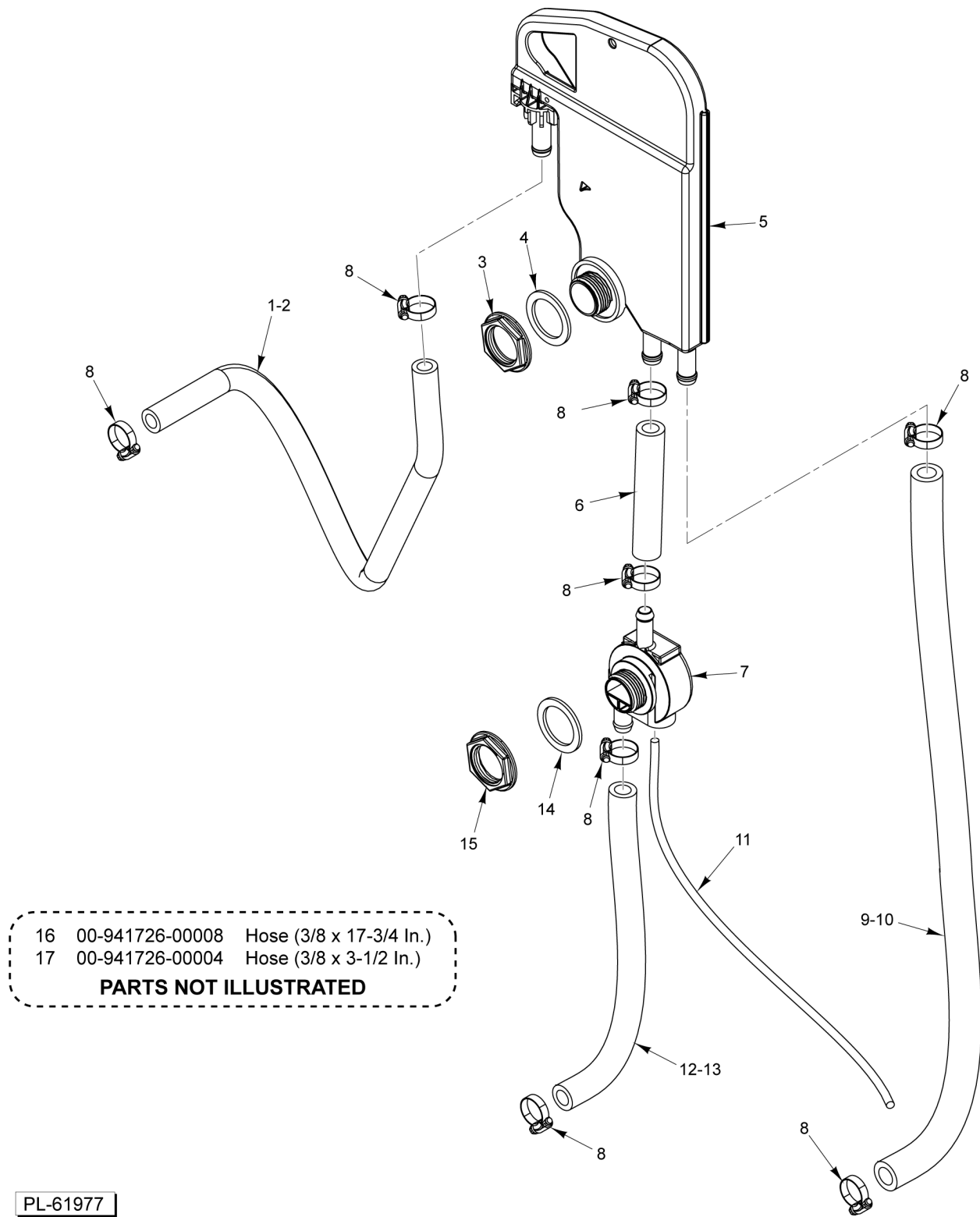


PL-61987

**VAPOR ELIMINATOR ASSEMBLY (LXGN)**

**VAPOR ELIMINATOR ASSEMBLY (LXGN)**

ILLUS.	PART NO.	NAME OF PART	AMT.
PL-61987			
1	00-941452	Bearing - Fan Wheel.....	1
2	00-949301	Enclosure - Vapor Condenser.....	1
3	00-949304	Cover - Motor.....	1
4	NS-047-82	Stop Nut 1/4-20 Hex (SST).....	1
5	SC-041-50	Cap Screw 1/4-20 x 1/2 Hex Hd. (SST).....	1
6	00-941538-00002	Motor Assy. (Incls. Item 21).....	1
7	NS-031-15	Stop Nut 10-24 Hex (SST).....	3
8	00-941535	Plate - Seal.....	1
9	00-941536	Seal - Fan Shaft.....	1
10	00-941451	Wheel - Fan.....	1
11	00-949303	Seal - Vapor Box.....	1
12	00-941564	Baffle - Upper.....	1
13	NS-047-82	Stop Nut 1/4-20 Hex (SST).....	AR
14	00-949307	Baffle - Lower.....	1
15	00-941412	Plate - Reinforcement.....	1
16	00-941446	Channel - Fan.....	1
17	00-941749	Mount - Fan Channel.....	1
18	00-941533	Seal - Heat Exchanger.....	1
19	00-941531	Heat Exchanger - Vapor Eliminator.....	1
20	00-975019	Kit - Bearing Cover (Incls. Item 1).....	1
21	00-949859	Fan - Cooling.....	1
22	00-563140-00022	Harness - Wire (Steam Elimination).....	1
23	00-563140-00023	Harness - Wire (Steam Elimination).....	1



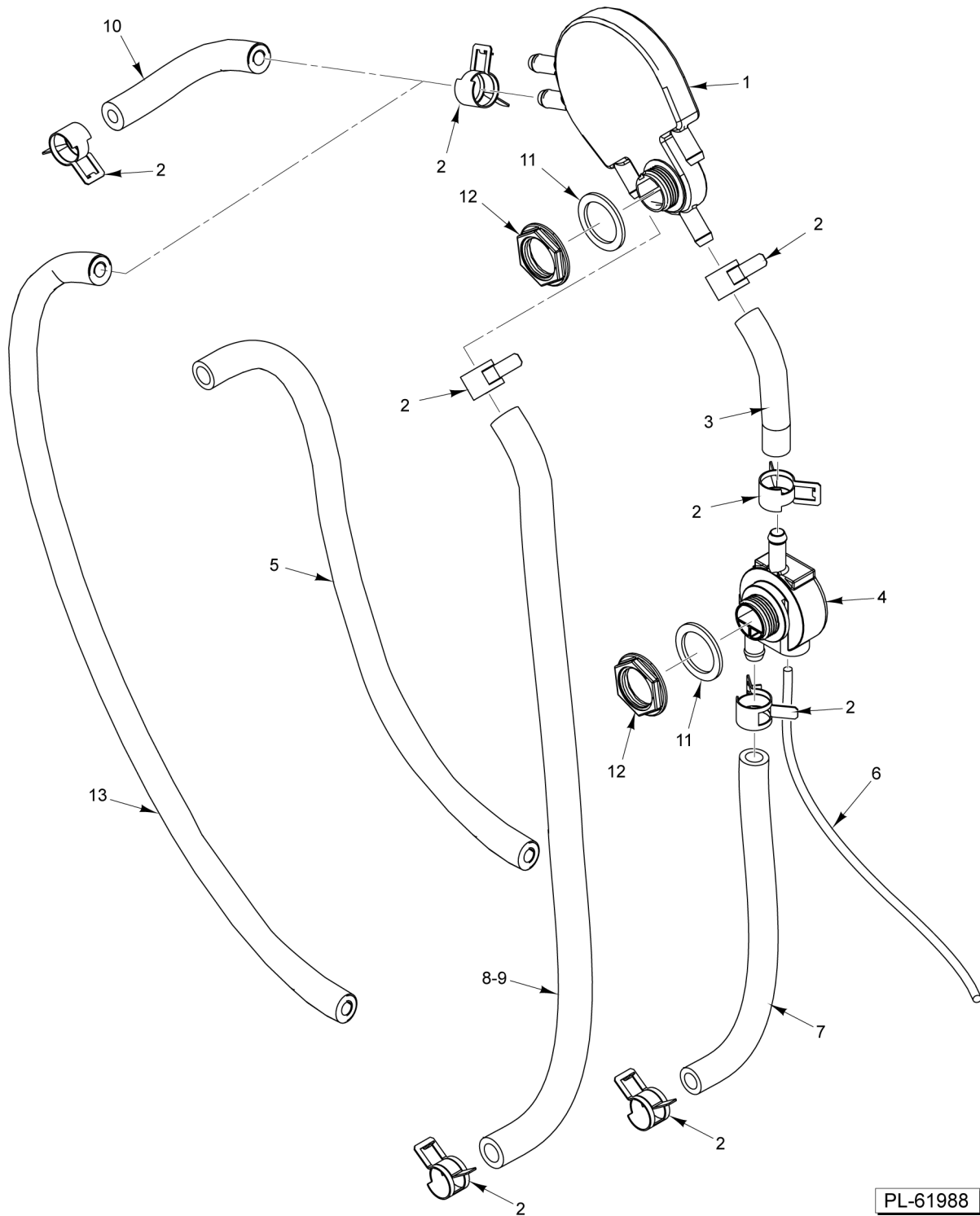
PL-61977

**FILL AIR GAP (LXN)**



**FILL AIR GAP (LXN)**

ILLUS.	PART NO.	NAME OF PART	AMT.
PL-61977			
1	00-941726-00001	Hose 3/8 (23.62 In. Lg.) (Base).....	1
2	00-941726-00007	Hose 3/8 (15 In. Lg.) (Advansys).....	1
3	00-974952	Nut - Adapter.....	1
4	00-941940	Washer - Air Gap.....	1
5	01-297510-00001	Air Gap.....	1
6	00-941726-00004	Hose 3/8 (3.5 In. Lg.).....	1
7	00-941772-00001	Adapter - Chemical.....	1
8	00-558090	Clamp.....	AR
9	00-941726-00002	Hose 3/8 (19.25 In. Lg.) (Hot).....	1
10	00-941726-00005	Hose 3/8 (25 In. Lg.) (Cold).....	1
11	00-185105-00030	Tubing (Clear) (17.5 In.) (Pump to Detergent).....	AR
12	00-941726-00003	Hose 3/8 (9 In. Lg.) (Hot).....	1
13	00-941726-00003	Hose 3/8 (9 In. Lg.) (Cold).....	1
14	00-941940	Washer - Air Gap.....	1
15	00-974952	Nut - Adapter.....	1
16	00-941726-00008	Hose 3/8 (17.75 In. Lg.).....	1
17	00-941726-00004	Hose 3/8 (3.5 In. Lg.).....	1

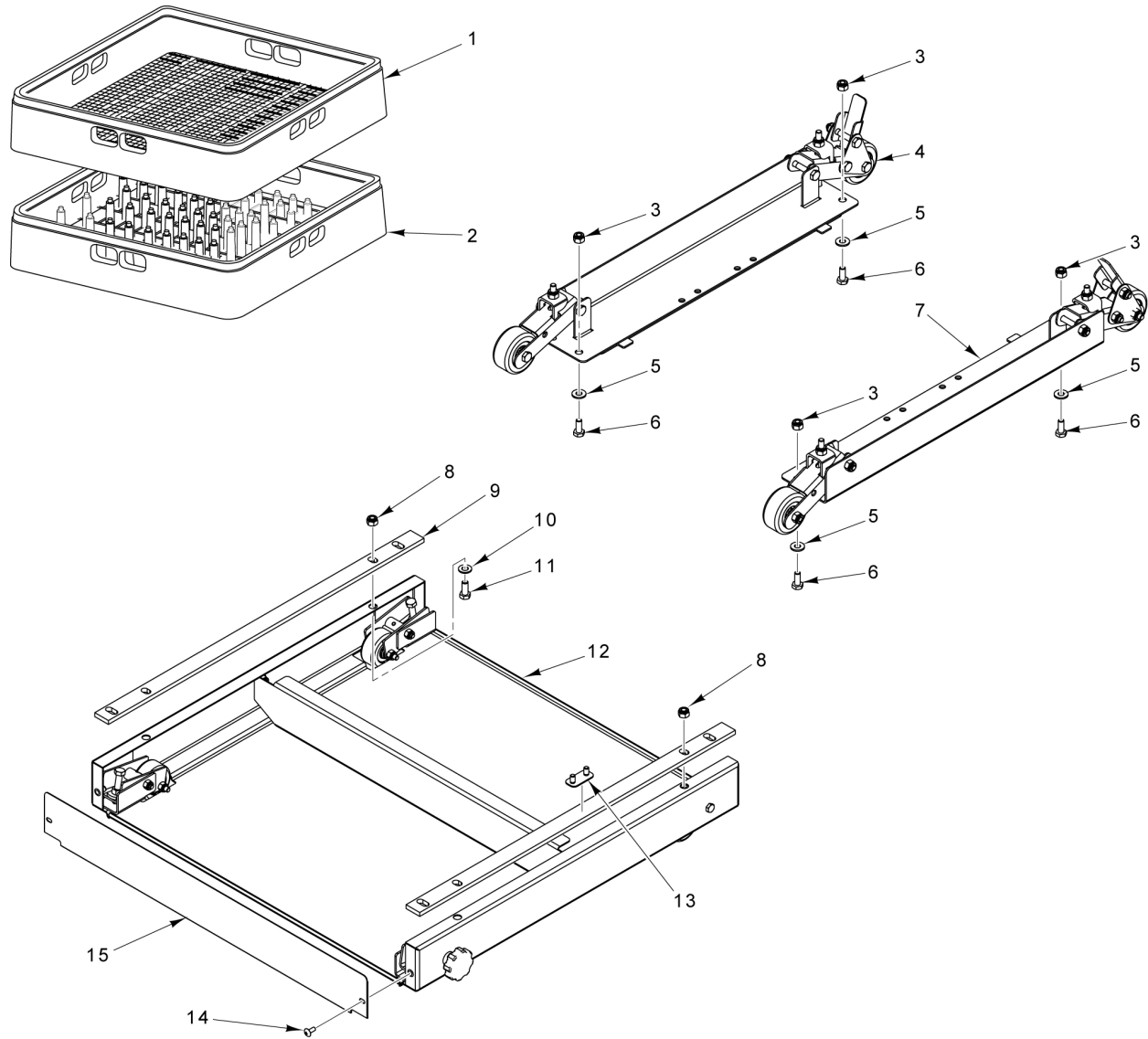


PL-61988

**FILL AIR GAP (LXGN)**

**FILL AIR GAP (LXGN)**

ILLUS.	PART NO.	NAME OF PART	AMT.
PL-61988			
1	00-950027	Fill - Air Assy. (Incls. Label).....	1
2	00-558090	Clamp.....	AR
3	00-941726-00014	Hose 3/8 (3.75 In. Lg.).....	AR
4	00-941772-00001	Adapter - Chemical.....	1
5	00-941726-00015	Hose 3/8 (13.50 In. Lg.) (LXGnR).....	AR
6	00-185105-00030	Tubing (Clear) (17.5 In.).....	AR
7	00-941726-00003	Hose 3/8 (9 In. Lg.).....	AR
8	00-941726-00002	Hose 3/8 (19.88 In. Lg.) (LXGnR).....	AR
9	00-941726-00017	Hose 3/8 (28 In. Lg.) (LXGnPR).....	AR
10	00-941726-00003	Hose 3/8 (9 In. Lg.) (LXGnR).....	AR
11	00-941940	Washer - Air Gap.....	2
12	00-974952	Nut - Adapter.....	2
13	00-941726-00001	Hose 3/8 (23.62 In. Lg.) (LXGnPR).....	AR



16	00-329313	Paper - Litmus (Vial)
17	00-947876	Base - LXe (Complete)
18	00-293624-00002	Sleeve/Foot - Leg Assy. (6 In.)
19	00-974427-00001	Cover - Spray Rack
20	00-974427-00002	Cover - Spray
21	00-947141	LXe 17 In. Stand W/Legs
22	00-950693-00001	Caster Assy. (Individual)
23	00-948383	Caster Kit (Adjustable)
24	00-950266	Rack - Glass
25	00-563749	Kit - 2nd Level Rack
26	00-563749-00002	Rack - 2nd Level

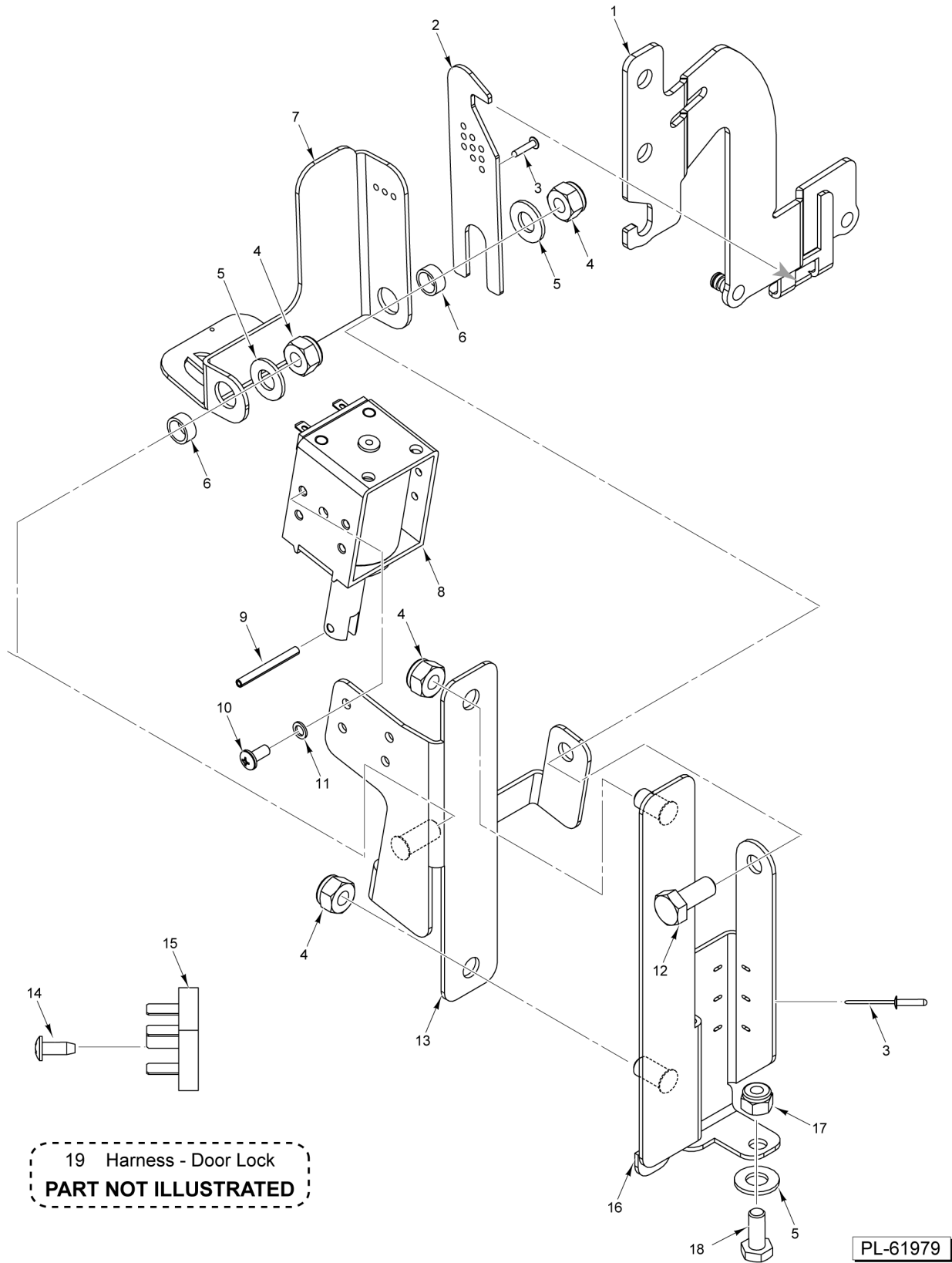
**PARTS NOT ILLUSTRATED**

PL-61978

**MISCELLANEOUS**

## MISCELLANEOUS

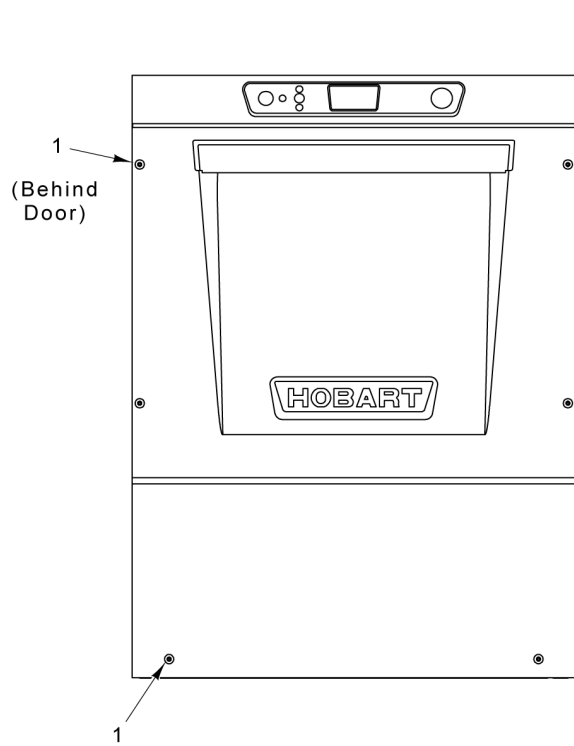
ILLUS.	PART NO.	NAME OF PART	AMT.
PL-61978			
1	00-315193	Rack - Combination (Packaged).....	1
2	00-315191	Rack - Peg (Packaged).....	1
3	NS-047-82	Stop Nut 1/4-20 Hex (SST).....	4
4	00-947865-00002	Castor Assy. (Left).....	1
5	WS-017-06	Washer (SST).....	4
6	SC-041-05	Cap Screw 1/4-20 x 5/8 Hex Hd. (SST).....	4
7	00-947865-00001	Castor Assy. (Right).....	1
8	NS-036-19	Stop Nut 5/16-18 Hex Special (SST).....	4
9	00-329327	Spacer.....	2
10	WS-005-32	Washer (SST).....	4
11	SC-041-11	Cap Screw 5/16-18 x 3/4 Hex Hd. (SST).....	4
12	00-892044-00002	Caster Assy.....	1
13	00-950131-00001	Bracket Assy.....	1
14	SC-066-06	Mach. Screw 10-24 x 1/2 Phil. Truss Hd. (SST).....	2
15	00-942177-00002	Cover - Base.....	1
16	00-329313	Paper - Litmus (Vial) (100 Strips 2-1/4 Lg.).....	1
17	00-947876	Base - LXe, Complete.....	1
18	00-293624-00002	Sleeve/Foot, Leg Assy, 6".....	1
19	00-974427-00001	Cover, Spray, Rack.....	1
20	00-974427-00002	Cover, Spray.....	1
21	00-948141	LXe 17 Inch Stand W/Legs.....	1
22	00-950693-00001	Caster Assy (Individual).....	1
23	00-948383	Caster Kit (Adjustable).....	1
24	00-950266	Rack, Glass.....	1
25	00-563749	Kit - 2nd Level Rack.....	1
26	00-563749-00002	Rack - 2nd Level.....	1



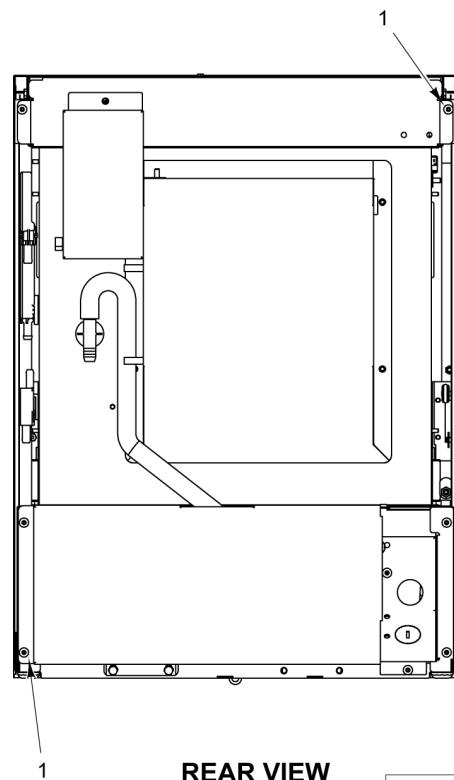
**DOOR LOCK**

## DOOR LOCK

ILLUS.	PART NO.	NAME OF PART	AMT.
PL-61979			
1	00-974693	Weldment - Door Stop.....	1
2	00-974698	Bracket - Lock.....	1
3	RS-033-22	Rivet - Pop 0.094 x 0.126 - 0.25 (Steel).....	4
4	NS-036-19	Stop Nut 5/16-18 Hex Special (SST).....	4
5	WS-005-32	Washer (SST).....	4
6	00-893014-00002	Spacer - Door Link (Lower).....	2
7	00-974697	Pivot - Solenoid.....	1
8	00-502710	Solenoid (24 V., 3/4 In. Travel).....	1
9	RP-003-21	Pin - Roll 1/8 In.....	1
10	SC-120-35	Mach. Screw 8-32 x 3/8 Phil. Pan Hd. (SST).....	4
11	WL-006-01	Lockwasher #8 Helical (SST).....	4
12	SC-041-11	Cap Screw 5/16-18 x 3/4 Hex Hd. (SST).....	1
13	00-974696-00001	Weldment - Solenoid Plate.....	1
14	SD-008-25	Self-Tapping Screw 10-16 x 1/2 Phil. Pan Hd., Type B.....	1
15	00-473660	Rectifier.....	1
16	00-974699	Support - Leg.....	1
17	NS-047-82	Stop Nut 1/4-20 Hex (SST).....	1
18	SC-041-05	Cap Screw 1/4-20 x 5/8 Hex Hd. (SST).....	1
19	00-974595	Harness - Door Lock.....	1



**FRONT VIEW**



**REAR VIEW**

PL-61980

**CORRECTIONAL PARTS PACKAGE (LXN)**



**CORRECTIONAL PARTS PACKAGE (LXN)**

<b>ILLUS.</b>	<b>PART NO.</b>	<b>NAME OF PART</b>	<b>AMT.</b>
PL-61980 1	SC-121-72	Mach. Screw 1/4-20 x 1/2 Tx. Button Hd. (SST) (Prison Package).....	13

