



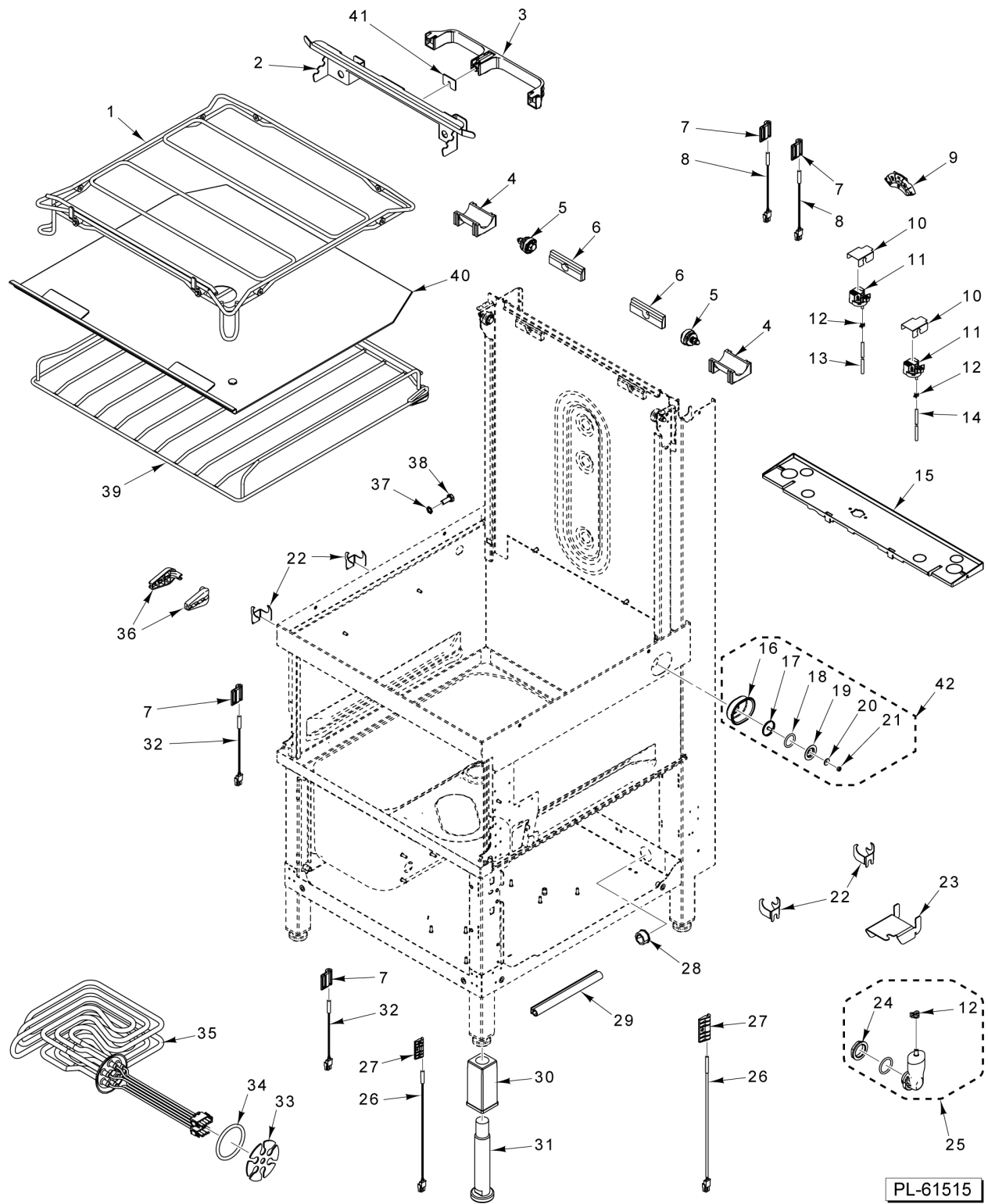
CATALOG OF REPLACEMENT PARTS



AMTL TWO LEVEL DISHWASHER

Table of Contents

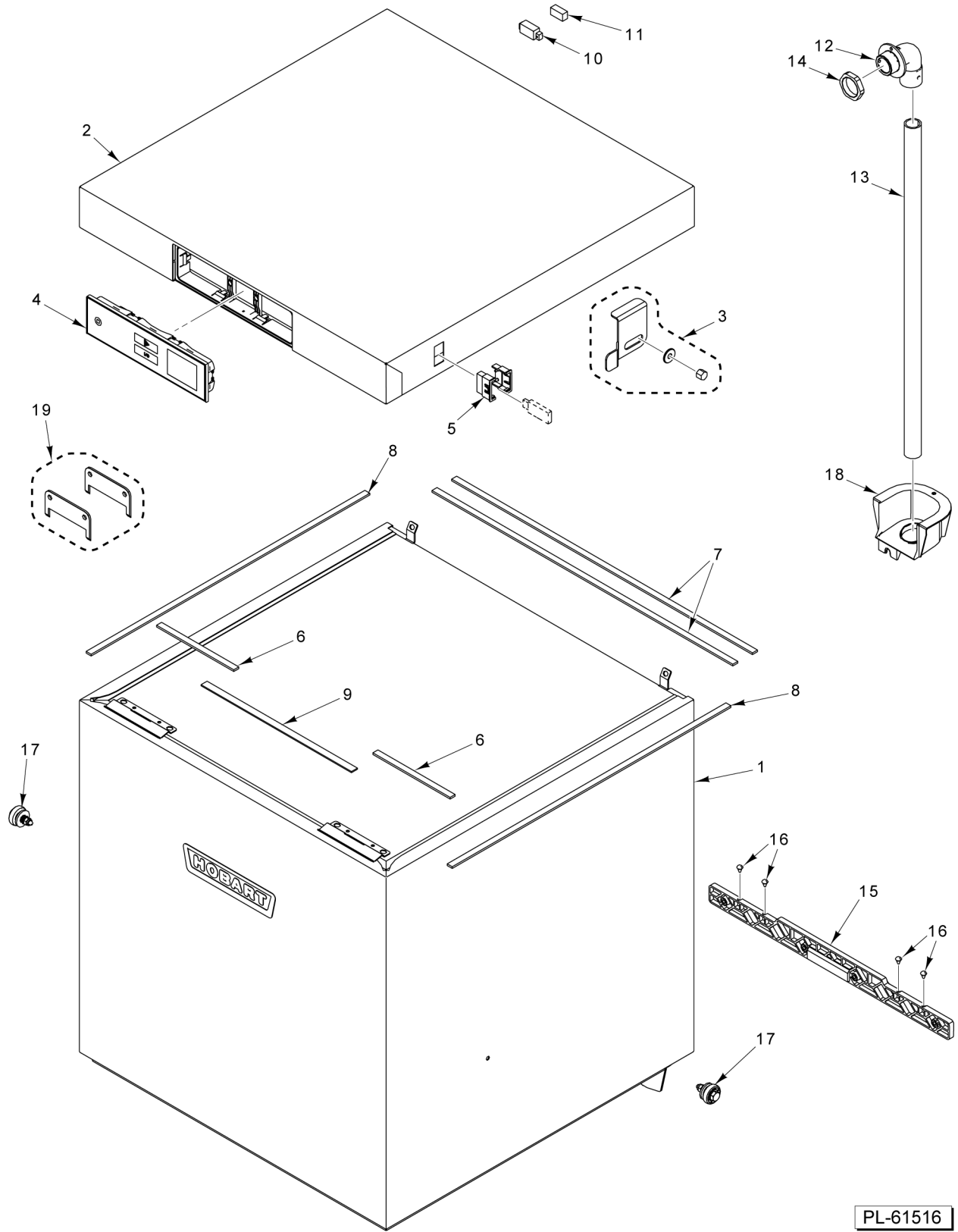
5	BASE FRAME
7	HOOD
9	HOODLIFT HANDLE
11	DOOR
13	COVERING
15	FILLING
17	DRAIN SYSTEM
19	STRAINERS
21	WASH AND RINSE SYSTEM
23	WASH PUMP
25	BOOSTER
27	CONTROL BOX
29	DISH RACKS AND ACCESSORIES



BASE FRAME

BASE FRAME

ILLUS.	PART NO.	NAME OF PART	AMT.
PL-61515			
1	04-016014-00001	Guide - Rack.....	1
2	01-531697-00001	Guide - Rack.....	1
3	01-539512-00001	Guide - Hose.....	1
4	00-898024-00001	Bearing - Slide.....	2
5	01-515688-00001	Roller.....	2
6	01-246900-00001	Block.....	2
7	01-515259-00001	Bracket - Switch.....	3
8	01-515276-00001	Switch - Reed.....	2
9	01-515897-00001	Guide - Hose.....	1
10	04-016370-00001	Cover.....	2
11	01-539157-00001	Sensor - Pressure.....	2
12	01-246214-00003	Clamp.....	3
13	00-324402-00003	Hose.....	1
14	00-324402-00002	Hose.....	1
15	01-515789-00001	Panel - Rear.....	1
16	00-563156	Grommet.....	1
17	00-119244-00002	Cap & Stud Assembly.....	1
18	00-067500-00031	O-Ring.....	1
19	00-913102-00437	Kit - Cap & Stud Assy.....	1
20	WL-006-17	Lockwasher 1/4 Helical (SST).....	1
21	NS-015-01	Nut 1/4-20 Hex (SST).....	1
22	01-538654-00001	Holder.....	4
23	01-538840-00001	Holder.....	1
24	00-324384	Nut.....	1
25	01-515334-00001	Kit - Air Chamber (Incls. Items 12 & 24).....	1
26	00-775612-00001	Sensor - Temperature.....	2
27	01-297719-00001	Bracket - Temp. Sensor.....	2
28	00-886756-00004	Bushing.....	1
29	04-016294-00001	Seal.....	1
30	00-325008-00001	Nut - Plastic Insert.....	4
31	01-510163-00005	Foot, Adjustable.....	4
32	01-515276-00002	Switch - Reed.....	2
33	00-950267	Reinforcement - Heater.....	1
34	00-067500-00118	O-Ring.....	1
35	04-016753-00001	Heater - Tank.....	1
36	04-016265-00001	Slide - Rack.....	2
37	00-605283-00001	Washer.....	1
38	00-602570	Screw.....	1
39	04-016755-00001	Guide - Rack (Incls. Item 36).....	1
40	01-538697-00002	Plate, Separating.....	1
41	04-015506-00001	Spacer.....	1
42	00-913102-00437	Kit - Cap & Stud Assy. (Incls. Items 16 thru 21).....	1

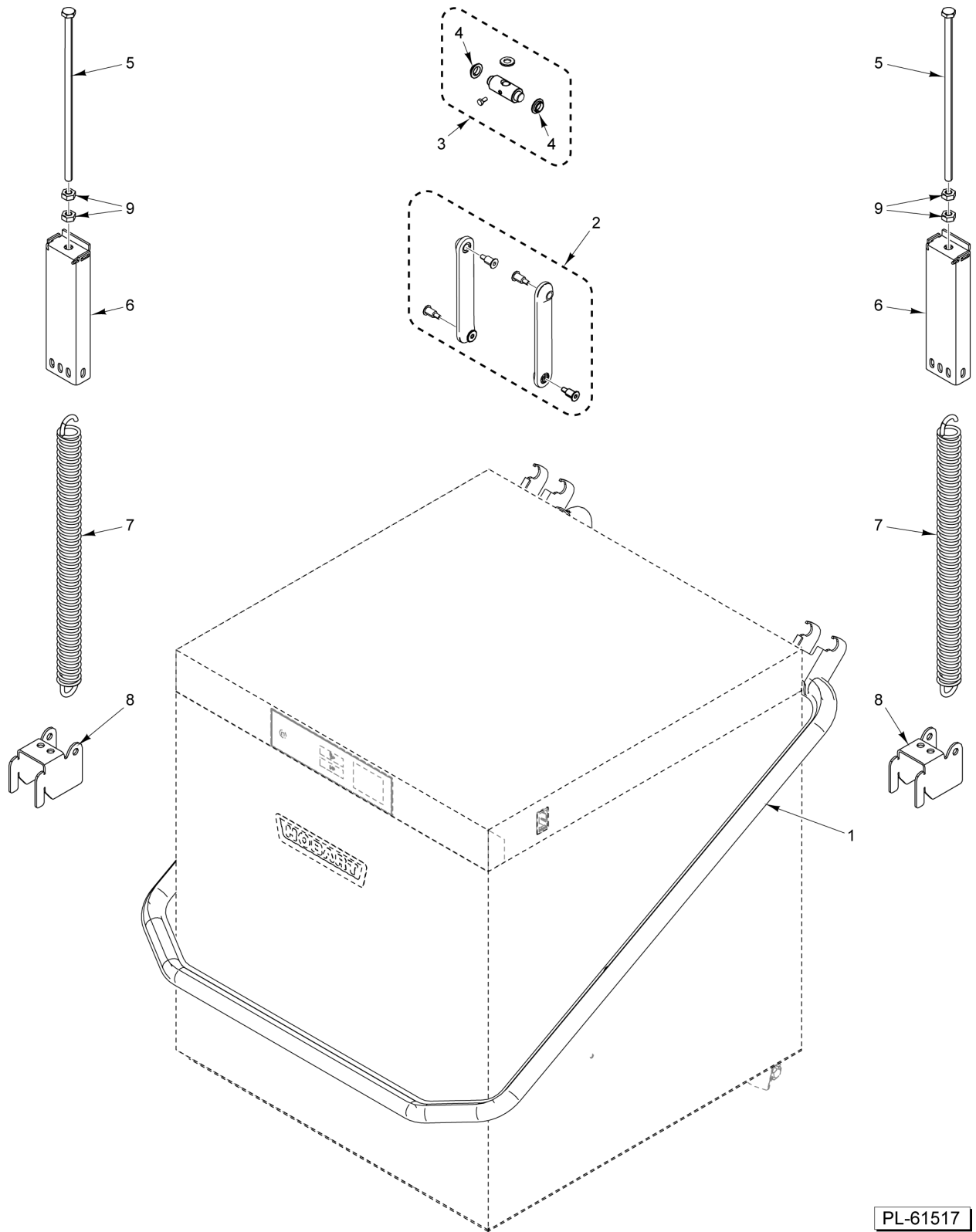


PL-61516

HOOD

HOOD

ILLUS.	PART NO.	NAME OF PART	AMT.
PL-61516			
1	04-005602-00006	Hood.....	1
2	04-005839-00001	Cover - Hood.....	1
3	04-016737-00001	Kit - USB Lock.....	1
4	04-006024-00004	Display - Control (HMI).....	1
5	01-539527-00001	USB Adapter.....	1
6	00-883777-00009	Seal.....	2
7	00-883777-00011	Seal.....	2
8	00-883777-00020	Seal.....	2
9	01-539856-00008	Seal.....	1
10	00-883746-00001	Bracket - Reed Switch.....	1
11	00-775860-00001	Magnet.....	1
12	00-883498-00001	Flange.....	2
13	00-775924-00001	Pipe.....	1
14	00-695664-00005	Nut.....	1
15	01-297717-00001	Block.....	1
16	00-228828	Stopper.....	4
17	01-515688-00001	Roller.....	2
18	01-539639-00001	Cover - Tube.....	1
19	04-006322-00001	Tool (Display Removal).....	1

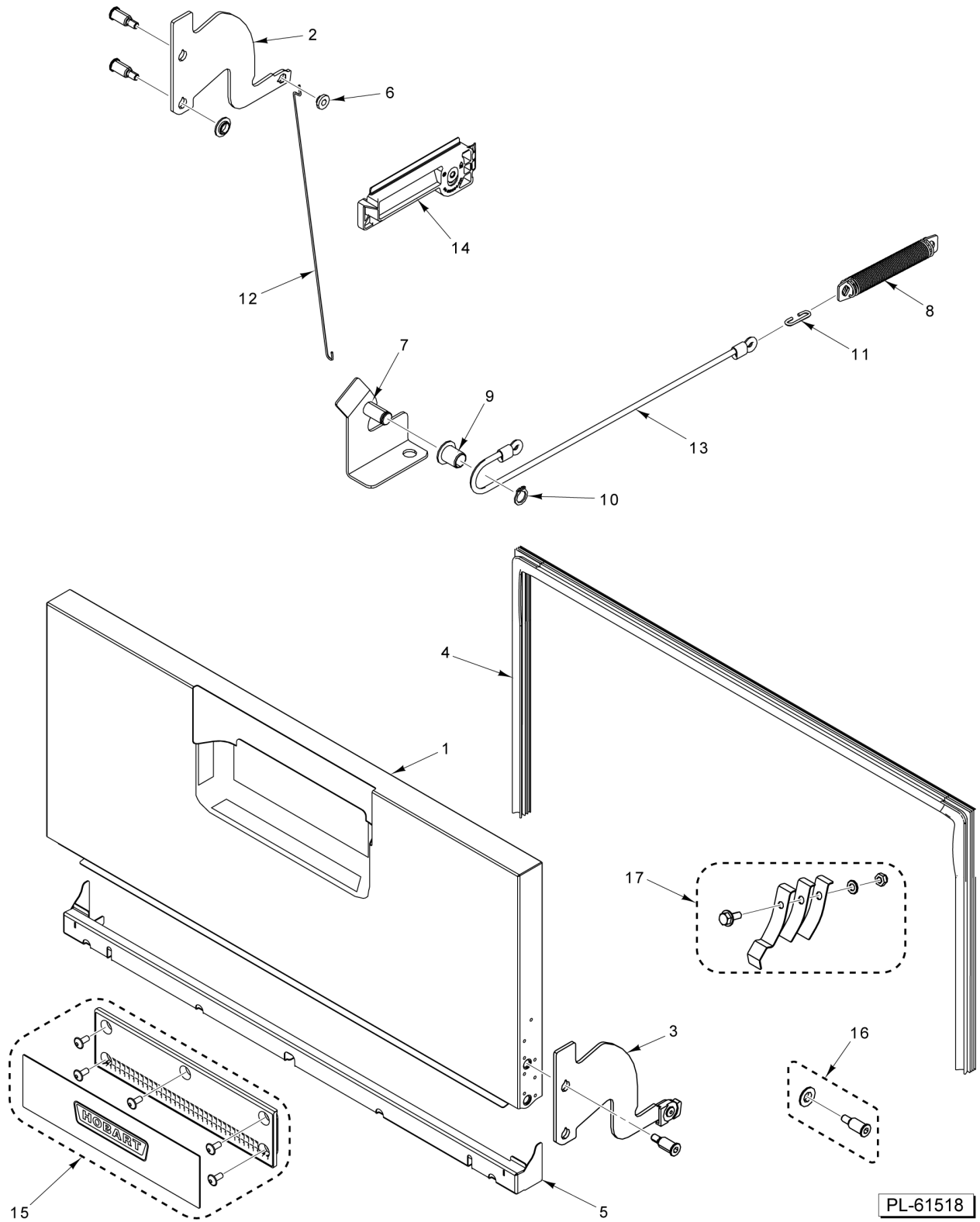


PL-61517

HOODLIFT HANDLE

HOODLIFT HANDLE

ILLUS.	PART NO.	NAME OF PART	AMT.
PL-61517			
1	01-515644-00001	Handle.....	1
2	00-883947-00001	Kit - Lifting Tab.....	1
3	04-016272-00001	Kit - Spring Retaining Bolt.....	1
4	04-016271-00001	Kit - Slide Bearings (4 Pieces).....	1
5	00-605253-00002	Screw.....	2
6	01-539540-00001	Holder.....	2
7	01-515929-00001	Spring.....	2
8	01-539539-00001	Bracket - Spring Mount.....	2
9	00-602493	Nut.....	4

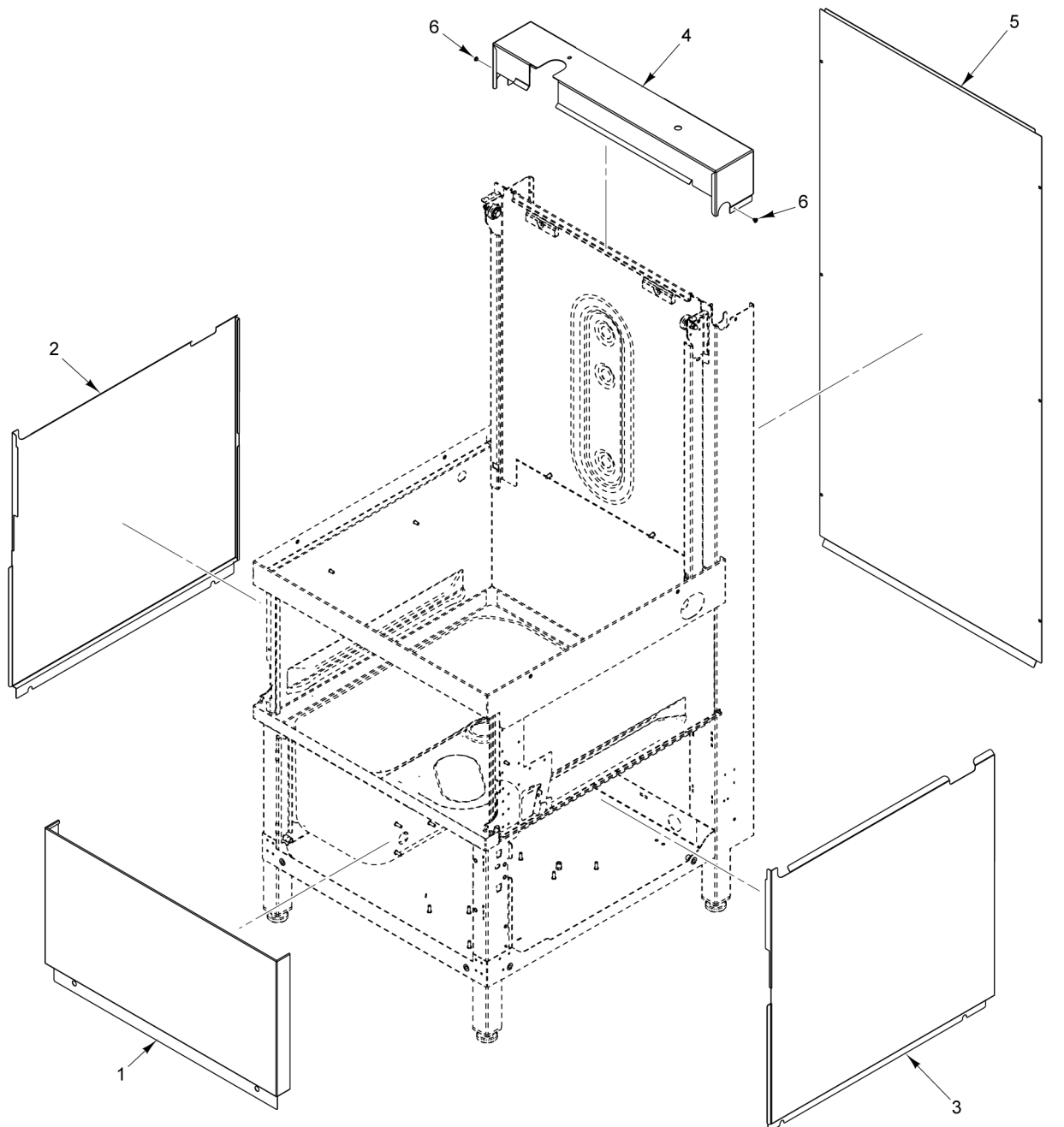


PL-61518

DOOR

DOOR

ILLUS.	PART NO.	NAME OF PART	AMT.
PL-61518			
1	01-538556-00002	Door Assy. (Incls. Item 15).....	1
2	01-538552-00001	Hinge.....	1
3	04-016166-00001	Hinge.....	1
4	04-016320-00001	Seal.....	1
5	04-016428-00001	Seal.....	1
6	01-240204-00001	Bearing - Slide.....	1
7	04-016145-00001	Deflector - Spring.....	1
8	04-016150-00001	Spring.....	1
9	01-510698-00002	Bearing - Slide.....	1
10	00-609285	Lock - Ring.....	1
11	04-016148-00001	Hook.....	1
12	04-016149-00001	Hook - Spring.....	1
13	00-775777-00001	Cable.....	1
14	04-016084-00001	Block.....	1
15	04-006294-00002	Kit - Handle.....	1
16	01-515326-00001	Bolt, Door.....	1
17	04-006325-00001	Kit - Spring Plate.....	1

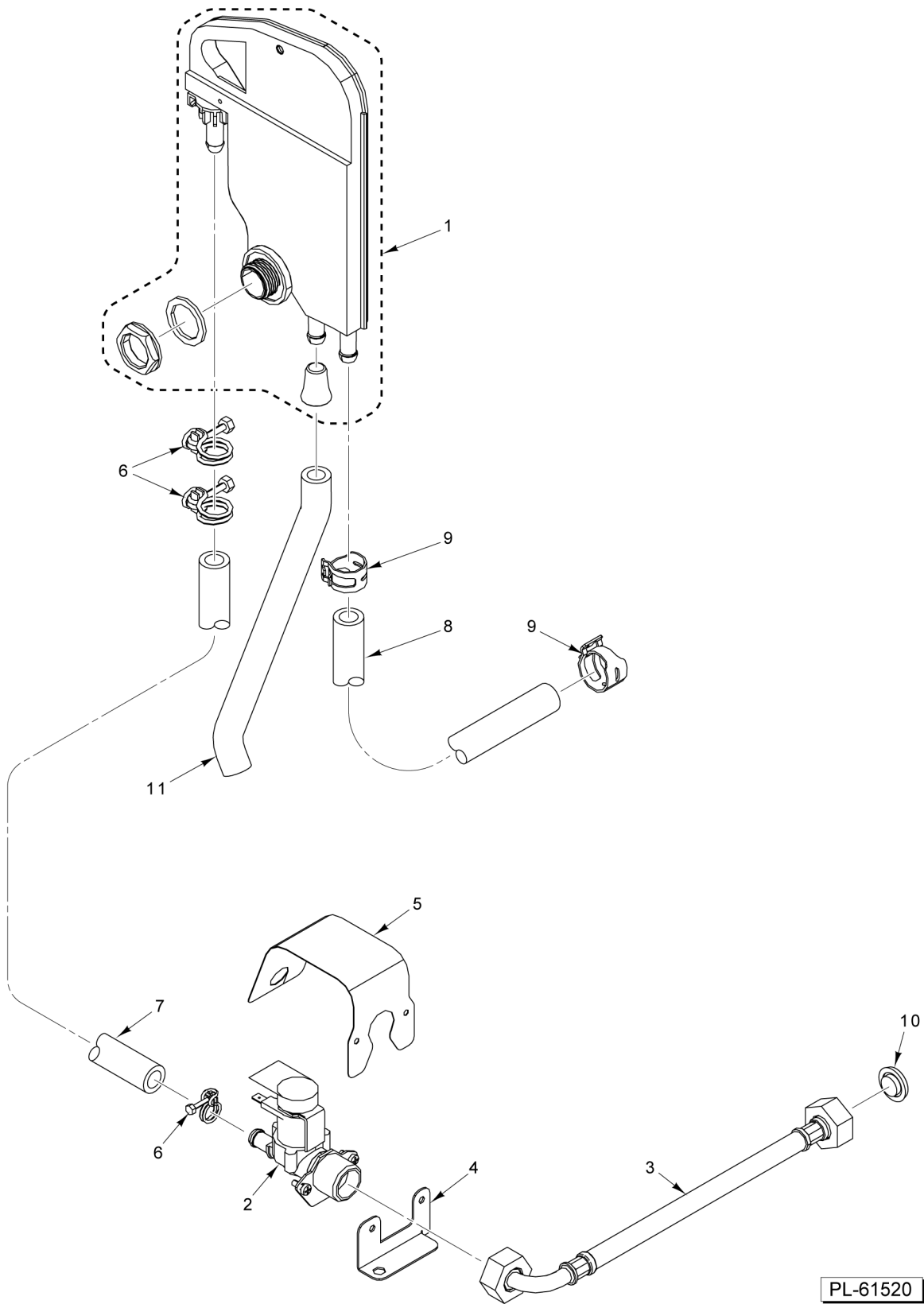


PL-61519

COVERING

COVERING

ILLUS. PL-61519	PART NO.	NAME OF PART	AMT.
1	01-538781-00001	Panel (Front).....1	1
2	01-538567-00002	Panel (Left).....1	1
3	01-538566-00002	Panel (Right).....1	1
4	01-515852-00001	Panel (Rear).....1	1
5	01-538371-00001	Panel (Rear).....1	1
6	00-883731-00001	Screw.....2	2

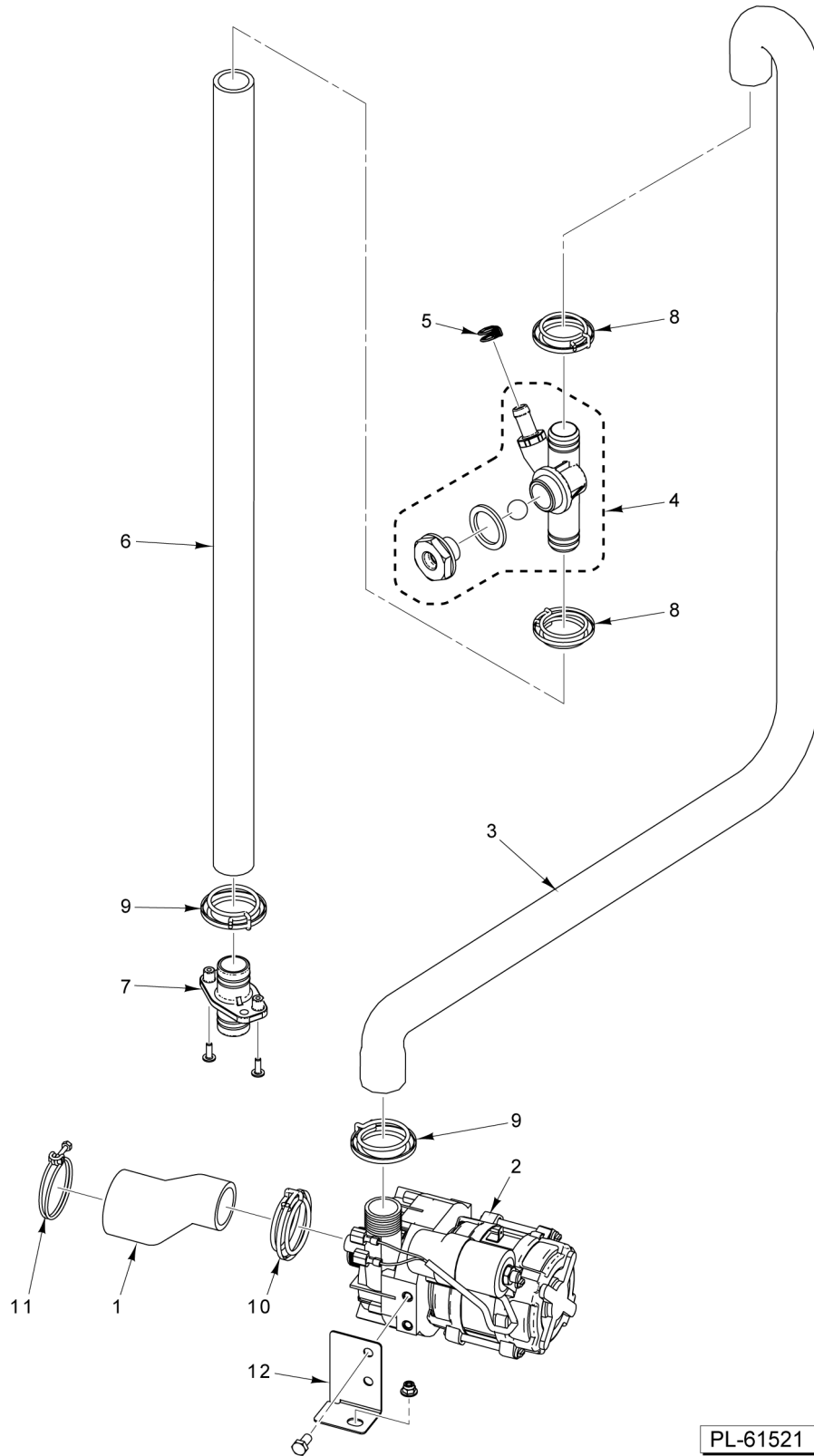


PL-61520

FILLING

FILLING

ILLUS.	PART NO.	NAME OF PART	AMT.
PL-61520			
1	01-515331-00001	Kit - Water Break.....	1
2	00-563072-00002	Valve (RPE) (15 L/ Min).....	1
3	00-293408-00002	Hose - Fill Assy.....	1
4	01-538831-00001	Bracket.....	1
5	04-016178-00001	Protective Sheet.....	1
6	00-323945-00016	Clamp.....	3
7	00-775559-00021	Hose.....	1
8	01-538756-00001	Hose.....	1
9	01-246214-00002	Clamp.....	2
10	00-292787	Filter - Fill Hose Assy.....	1
11	01-297802-00004	Hose.....	1

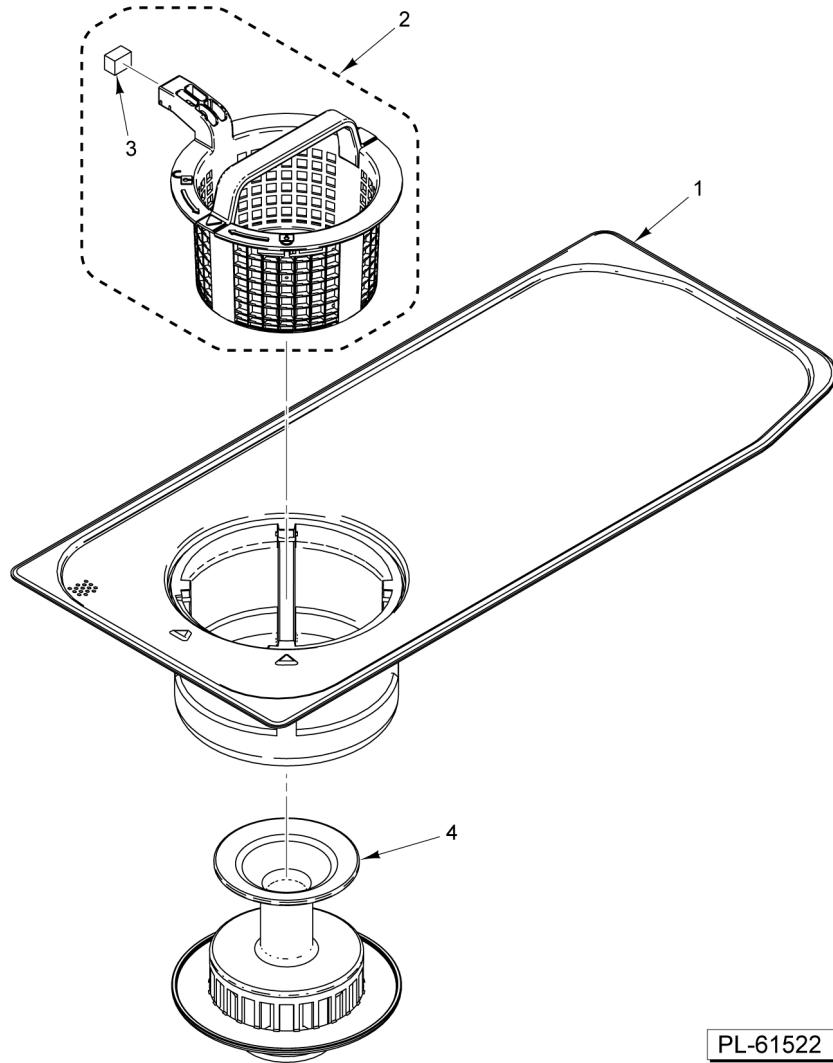


PL-61521

DRAIN SYSTEM

DRAIN SYSTEM

ILLUS.	PART NO.	NAME OF PART	AMT.
PL-61521			
1	01-291526-00001	Hose.....	1
2	00-942096-00004	Pump - Drain (208 - 240V, 60Hz).....	1
3	04-005165-00003	Hose.....	1
4	01-515775-00001	Kit - Vent Valve.....	1
5	00-324510-00140	Clamp - Hose.....	1
6	01-515856-00002	Hose.....	AR
7	01-240159-00001	Adaptor.....	1
8	00-324510-00287	Clamp - Hose.....	2
9	00-324510-00313	Clamp - Hose.....	2
10	00-324510-00429	Clamp - Hose.....	1
11	00-323945-00049	Clamp - Hose.....	1
12	04-016464-00001	Bracket.....	1

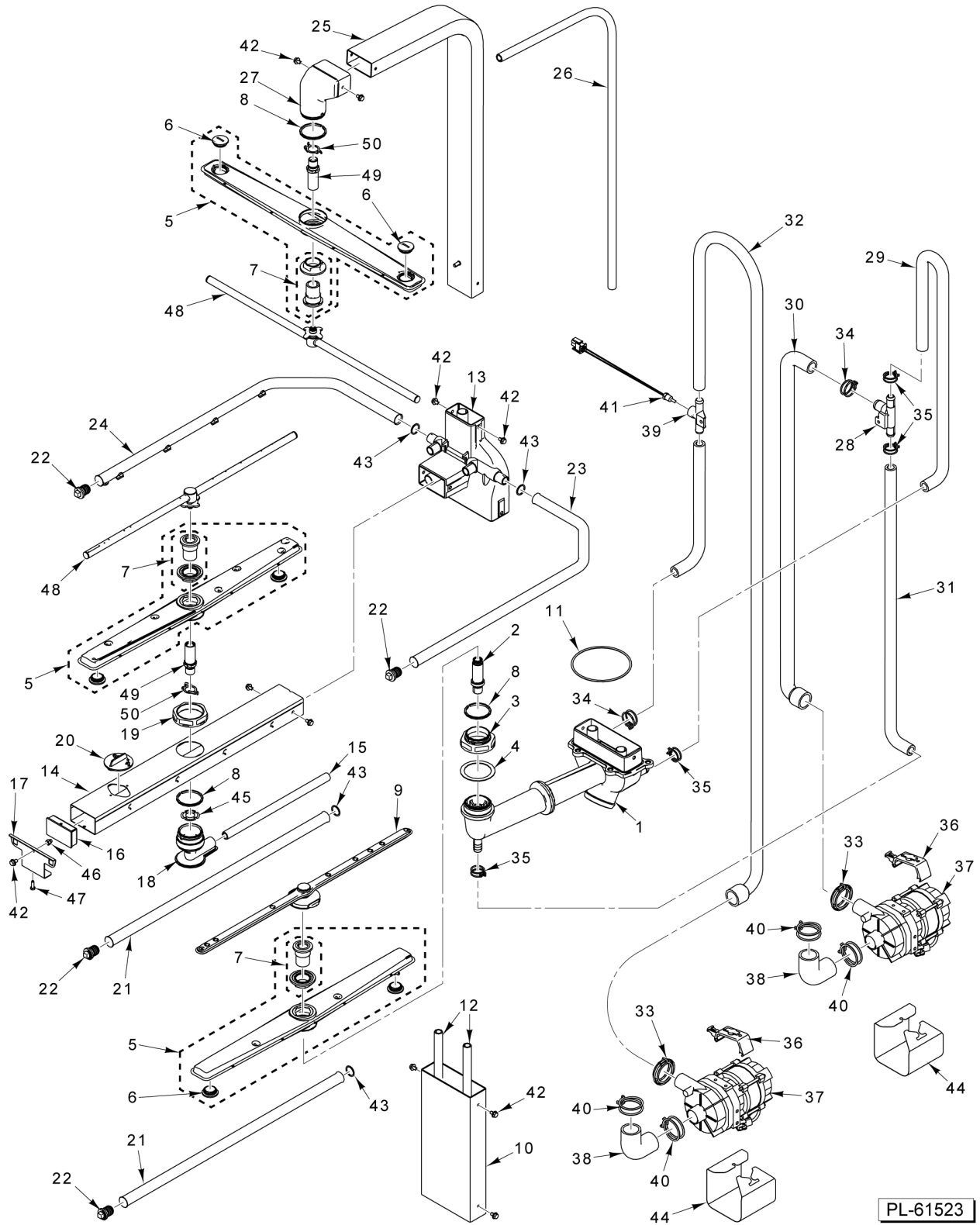


PL-61522

STRAINERS

STRAINERS

ILLUS. PL-61522	PART NO.	NAME OF PART	AMT.
1	01-538530-00001	Strainer - Tank.....	1
2	01-515594-00001	Strainer Basket Assy. (Incls. Item 3).....	1
3	01-515145-00001	Magnet.....	1
4	01-538534-00001	Riser.....	1

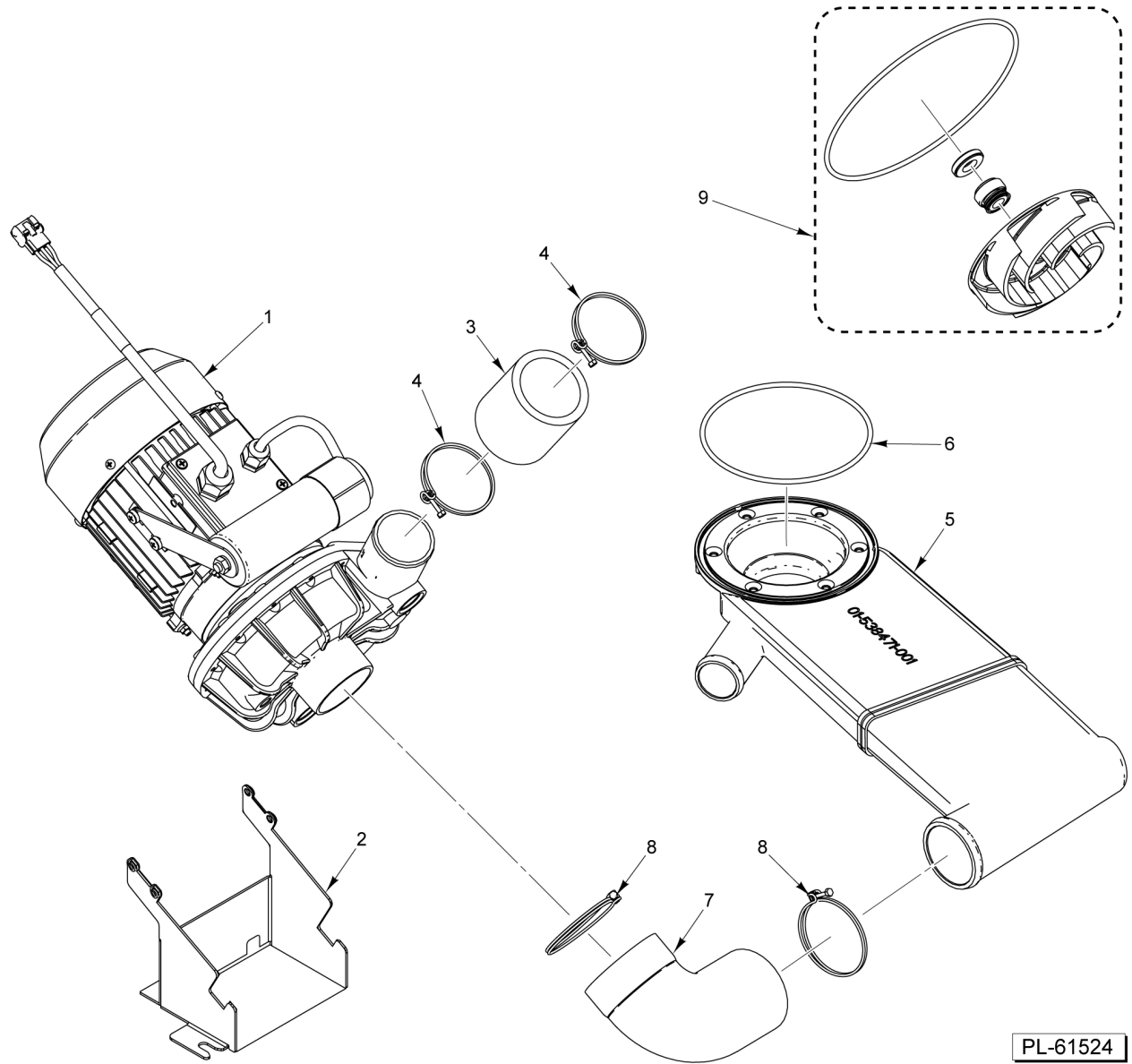


PL-61523

WASH AND RINSE SYSTEM

WASH AND RINSE SYSTEM

ILLUS. PL-61523	PART NO.	NAME OF PART	AMT.
1	01-538727-00001	Base - Wash Arm.....	1
2	01-515835-00001	Axle.....	1
3	01-240021-00001	Nut.....	1
4	00-172986-00019	Seal.....	1
5	01-515575-00001	Kit - Wash Arm (Incls. Items 6 & 7).....	3
6	00-886610	Plug.....	AR
7	01-539624-00001	Guide - Wash Arm.....	3
8	00-775933-00003	O-Ring.....	3
9	01-539620-00001	Rinse Arm.....	1
10	01-538379-00001	Pipe.....	1
11	00-276903-00080	O-Ring.....	1
12	01-538418-00003	Pipe.....	2
13	01-538818-00001	T-Piece.....	1
14	01-538810-00001	Pipe.....	1
15	01-538418-00004	Pipe.....	1
16	01-538816-00001	Plug.....	1
17	01-538782-00001	Holder.....	1
18	01-538815-00001	Wash Arm Base.....	1
19	01-538814-00001	Nut.....	1
20	01-538830-00001	Cover.....	1
21	01-538738-00001	Pipe (Incls. Item 22).....	1
22	01-538648-00001	Plug.....	3
23	01-538739-00001	Pipe (Incls. Item 22).....	1
24	01-538739-00002	Pipe (Incls. Item 22).....	1
25	01-515685-00006	Pipe.....	1
26	00-883512-00005	Pipe.....	1
27	00-883467-00001	Guide - Wash Arm.....	1
28	00-324071	T-Piece.....	1
29	01-538542-00001	Hose.....	1
30	01-538540-00001	Hose.....	1
31	01-538541-00001	Hose.....	1
32	01-538793-00001	Hose.....	1
33	00-323945-00033	Clamp - Hose.....	2
34	00-324510-00242	Clamp - Hose.....	1
35	00-324510-00202	Clamp - Hose.....	2
36	01-515154-00001	Holder.....	2
37	00-942096-00002	Pump Assy. (208-240 V., 60 Hz.)	2
38	01-538588-00001	Hose.....	2
39	00-974252-00001	Tee.....	1
40	00-324510-00356	Clamp - Hose.....	2
41	00-328994	Probe Assy. - Rinse.....	1
42	00-609782	Screw.....	4
43	00-276903-00007	O-Ring.....	AR
44	04-016290-00001	Cover.....	2
45	04-016323-00001	Disc - Throttle.....	1
46	00-609707	Nut.....	1
47	00-609834	Screw.....	1
48	00-562644-00001	Rinse Arm Assy.....	2
49	04-016369-00001	Axle.....	2
50	04-016735-00001	Lock - Axle.....	2

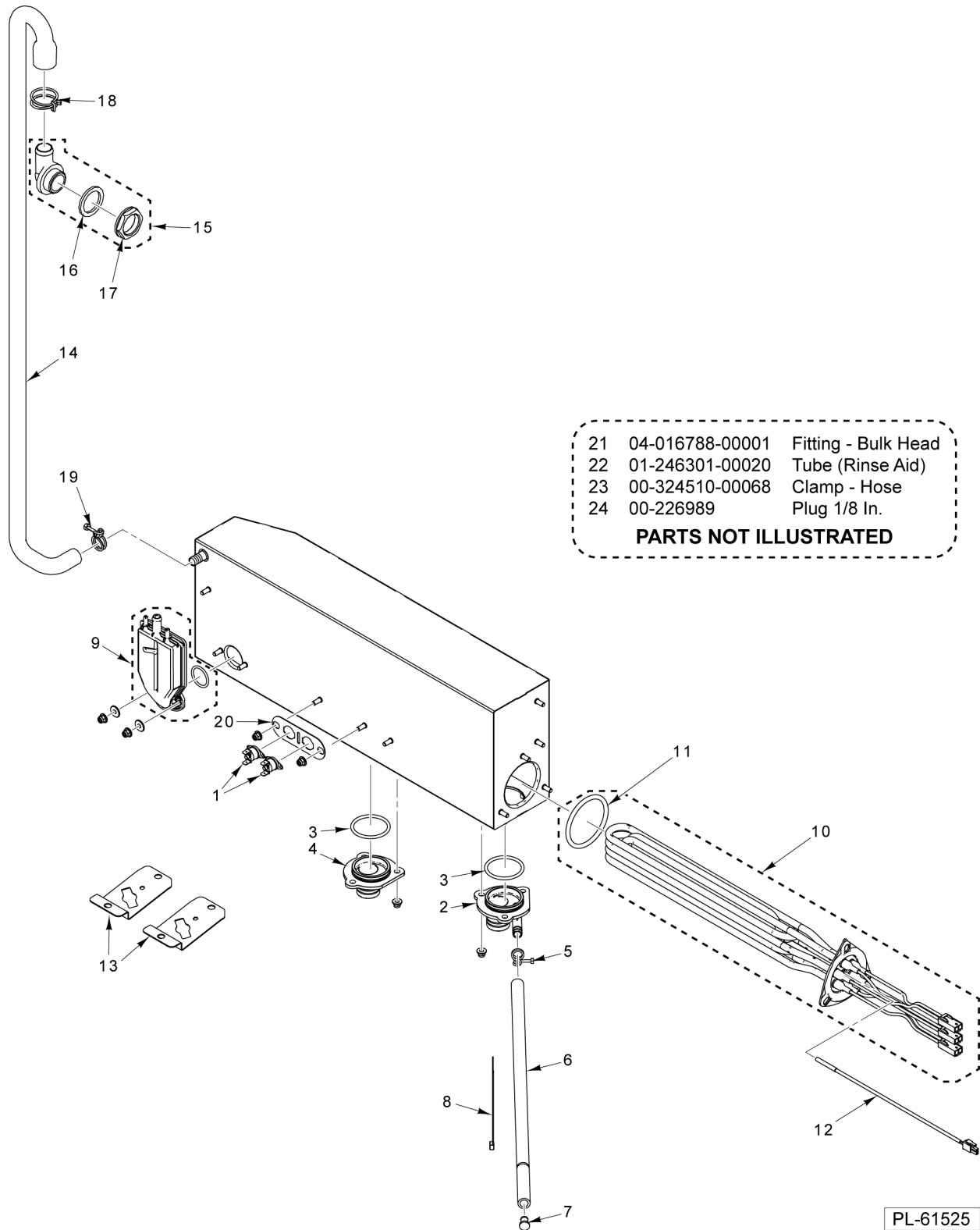


PL-61524

WASH PUMP

WASH PUMP

ILLUS.	PART NO.	NAME OF PART	AMT.
PL-61524			
1	04-016330-00001	Pump - Wash (208 - 240 V., 60 Hz).....	1
2	04-016354-00001	Bracket.....	1
3	01-538748-00001	Hose.....	1
4	00-323945-00068	Clamp - Hose.....	2
5	01-538471-00001	Flange - Tank.....	1
6	00-276903-00028	O-Ring.....	1
7	01-538463-00001	Hose.....	1
8	00-323945-00076	Clamp - Hose.....	2
9	04-016330-00010	Kit - Wash Pump Spare Parts.....	AR

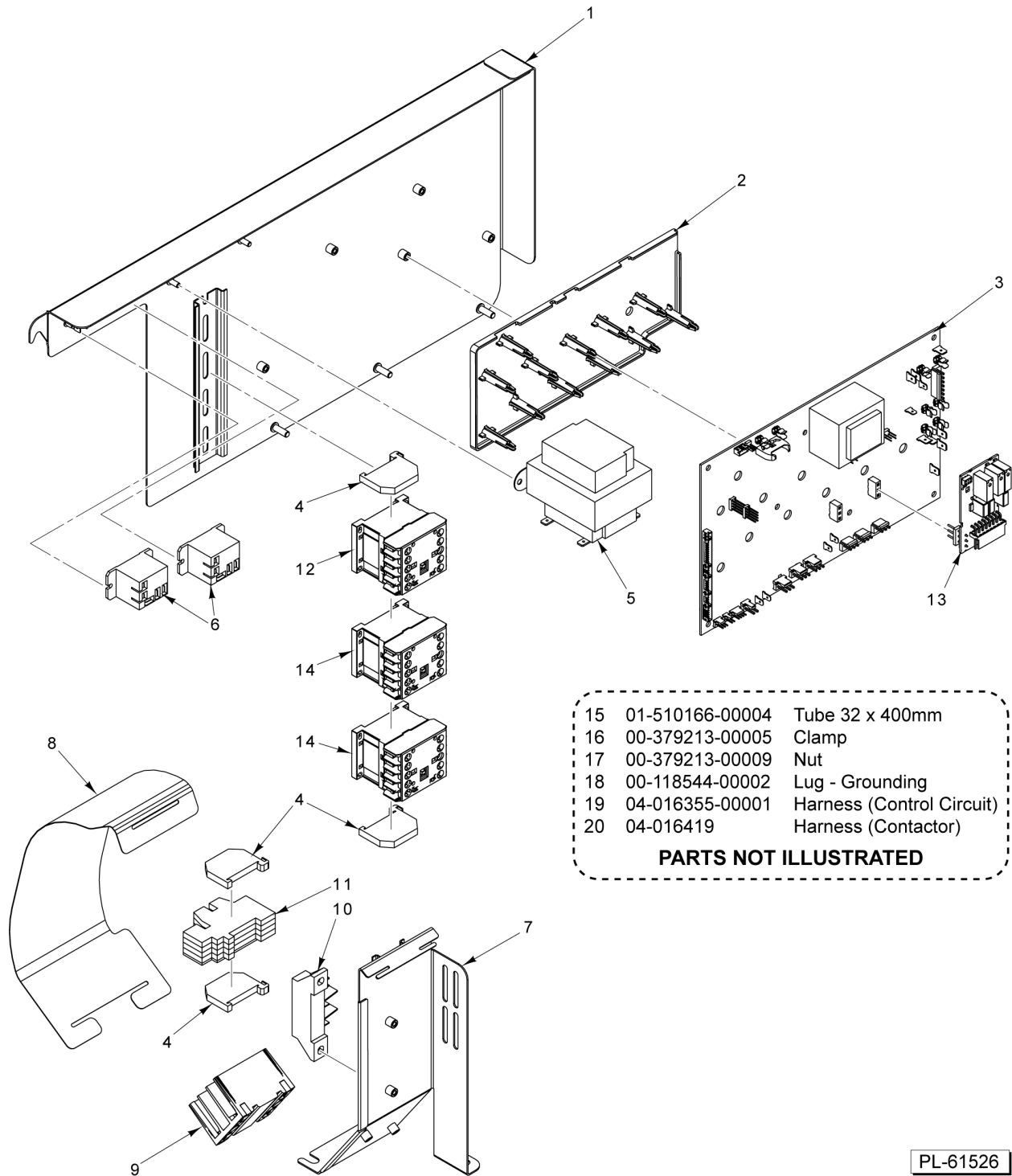


BOOSTER

PL-61525

BOOSTER

ILLUS.	PART NO.	NAME OF PART	AMT.
PL-61525			
1	00-942185-00002	Control - Temperature.....	1
2	04-005599-00001	Suction Piece.....	1
3	00-276903-00064	O-Ring.....	2
4	01-539985-00001	Suction Piece.....	1
5	00-323945-00015	Clamp - Hose.....	1
6	00-774080-00001	Hose.....	1
7	00-774512-00001	Plug.....	1
8	00-165128-00001	Cable Tie.....	1
9	04-006291-00001	Air Chamber Assy.....	1
10	04-016744-00001	Heater - Tank (Incls. Item 11).....	1
11	00-067500-00118	O-Ring.....	1
12	00-775612-00001	Sensor - Temperature.....	1
13	01-538638-00001	Holder.....	2
14	01-538790-00001	Hose.....	1
15	00-883281-00001	Kit - Filler.....	1
16	00-775305-00001	Seal.....	1
17	00-324384	Nut.....	1
18	00-324510-00242	Clamp - Hose.....	1
19	00-323945-00018	Clamp - Hose.....	1
20	00-941630	Bracket - High Limit.....	2
21	04-016788-00001	Fitting - Bulk Head.....	1
22	01-246301-00020	Tube (Rinse Aid).....	AR
23	00-324510-00068	Clamp - Hose.....	1
24	00-226989	Plug 1/8 In.....	1



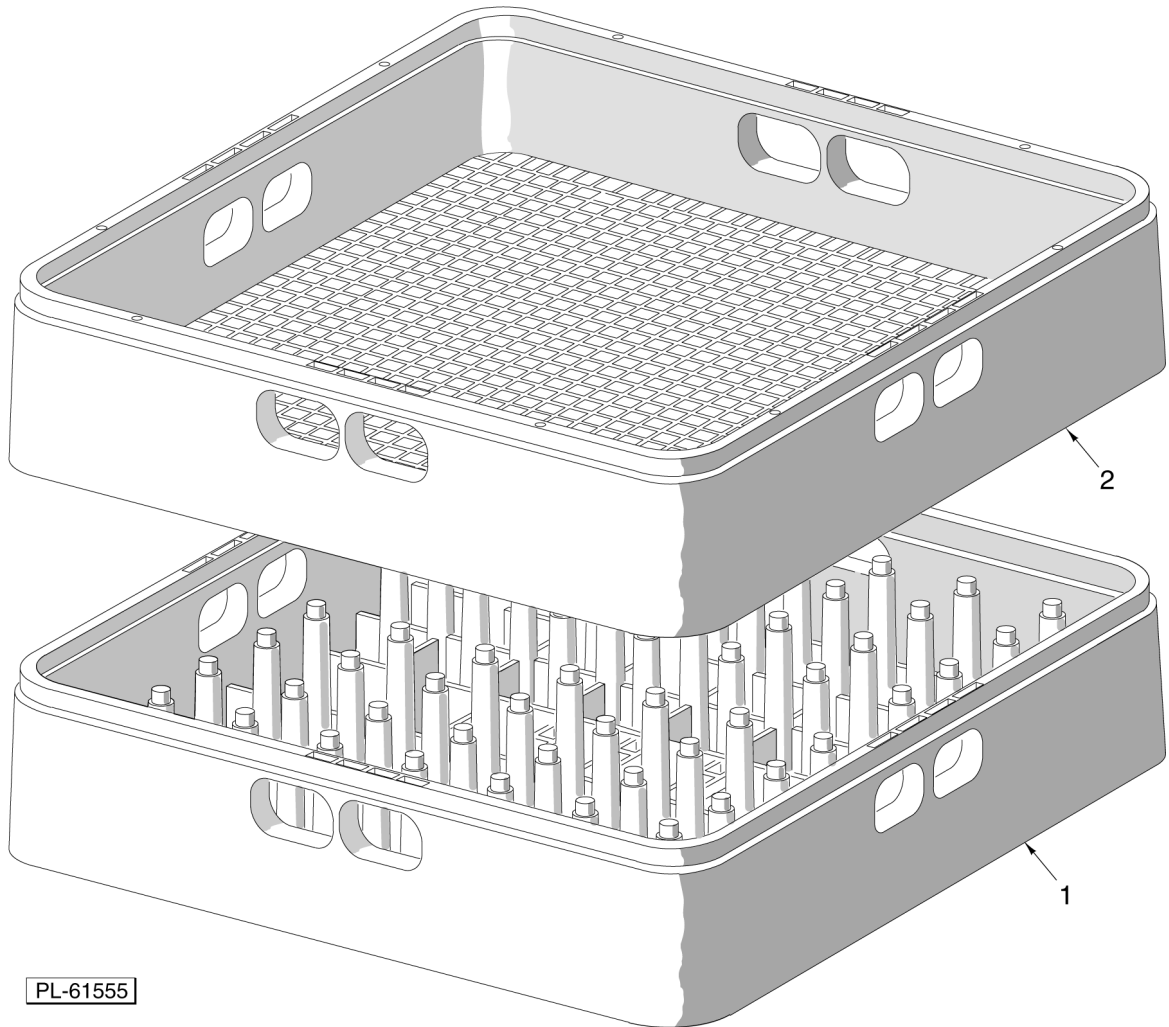
CONTROL BOX

CONTROL BOX

ILLUS.	PART NO.	NAME OF PART	AMT.
1	04-016722-00001	Control Box Assy.....	1
2	00-562526	Support - Control.....	1
3	00-975430-00001	Board - Control.....	1
4	00-323981-00001	Clamp - End.....	4
5	00-562609-00002	Transformer (80 VA, 120 V.).....	1
6	00-562599-00002	Relay (1-Pole).....	2
7	04-016731-00001	Panel Assy.....	1
8	04-016733-00001	Protective Foil.....	1
9	00-562894	Block - Terminal (3-Pole).....	1
10	00-562895	Block - Terminal (3-Pole).....	1
11	00-785508-00001	Block - Terminal.....	1
12	00-562597-00002	Contactactor (20 Amp.).....	1
13	00-975431-00001	Board Assy., Extension (A7).....	1
14	00-562597-00001	Contactactor (20 Amp.).....	2
15	01-510166-00004	Tube 32 x 400mm (PVC).....	1
16	00-379213-00005	Clamp.....	2
17	00-379213-00009	Nut.....	2
18	00-118544-00002	Lug - Grounding.....	1
19	04-016355-00001	Harness (Control Circuit).....	1
20	04-016419	Harness (Contactactor).....	1

- 3 00-295288 Peg Type Tray Rack (Packaged)
- 4 00-892671 Rack - Bun Pan
- 5 00-474800 Rack (6 Pan)
- 6 00-975317 Saddle Table
- 7 00-562119 Rack Slide, Dish Table
- 8 00-562434 Rack - Sheet Pan
- 9 00-975303 Set - Leg Extensions

PARTS NOT ILLUSTRATED



DISH RACKS AND ACCESSORIES

DISH RACKS AND ACCESSORIES

ILLUS.	PART NO.	NAME OF PART	AMT.
PL-61555			
1	00-315191	Rack - Peg (Packaged).....	1
2	00-315193	Rack - Combination (Packaged).....	1
3	00-295288	Peg Type Tray Rack (Packaged).....	1
4	00-892671	Rack - Bun Pan.....	1
5	00-474800	Rack (6 Pan).....	1
6	00-975317	Saddle Table.....	1
7	00-562119	Rack Slide, Dish Table.....	1
8	00-562434	Rack - Sheet Pan.....	1
9	00-975303	Set - Leg Extensions (Set of 4).....	1

