



CATALOG OF REPLACEMENT PARTS

HTs SERIES SCALES

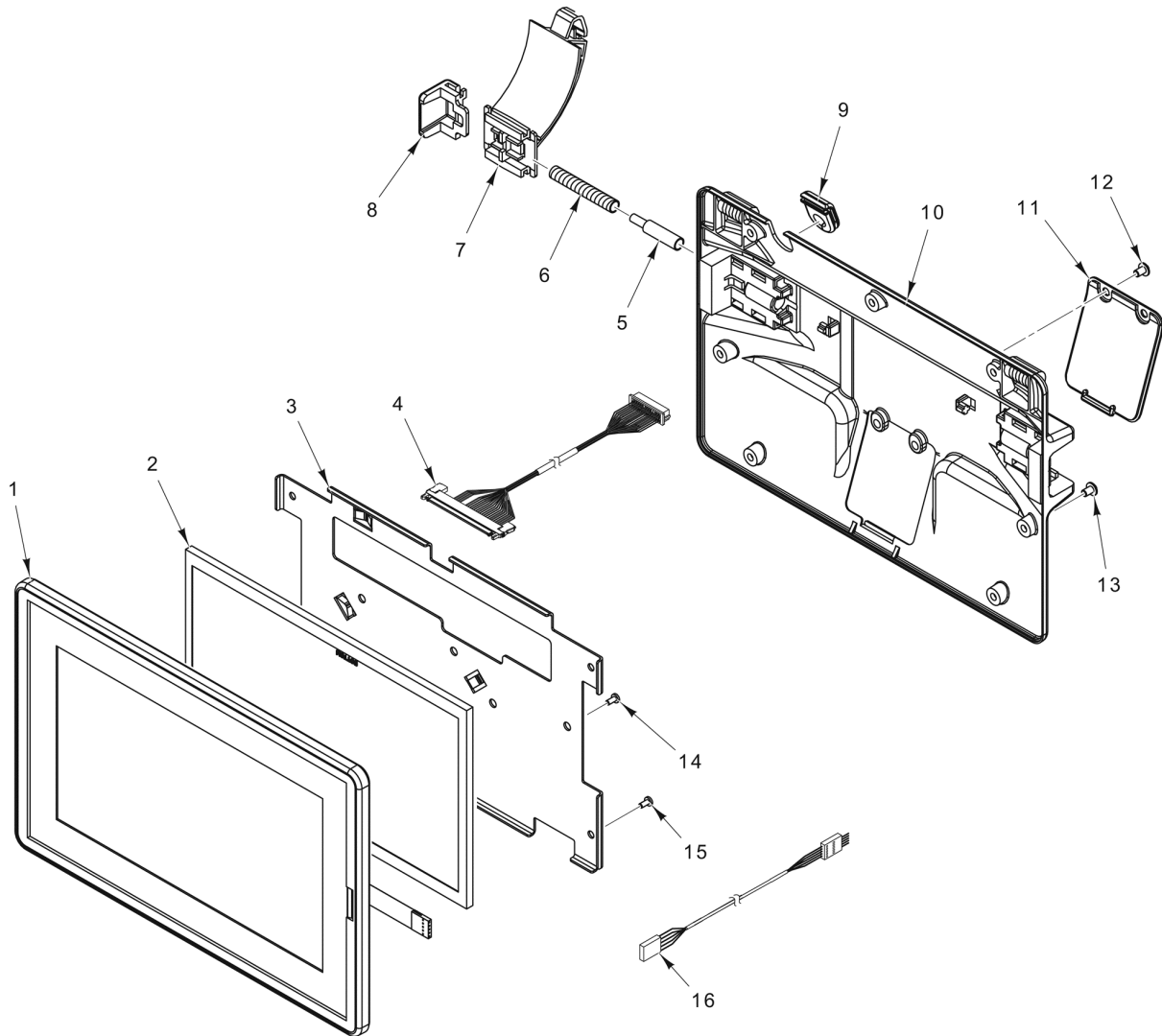


ML-29359
ML-29360
ML-29361
ML-29362
ML-29363
ML-29364
ML-29365
ML-29366

HTs-LS
HTsP-LS
HTs-7LS
HTs-7ELS
HTs-LST
HTsP-LST
HTs-7LST
HTs-7ELST

Table of Contents

5 OPERATOR CONSOLE
7 CUSTOMER DISPLAY
9 WEIGHER COMPONENTS
11 MAIN CIRCUIT COMPONENTS (SYSTEM CONTROL / PERIPHERAL PCB)
13 MAIN CIRCUIT COMPONENTS (ARA SYSTEM CONTROL PCB)
15 POWER SUPPLY
17 PRINTER
19 CASSETTE (WIDE LABEL)
21 CASSETTE (NARROW LABEL)
23 PRINTER ONLY (ML-29360 & ML-29364)
25 ELEVATED DISPLAY (7 IN.)
27 CABLES - CONNECTOR BOARD (SYSTEM CONTROL / PERIPHERAL BOARD)
29 CABLES - PANEL MOUNT (SYSTEM CONTROL / PERIPHERAL BOARD)
31 CABLES - CONNECTOR BOARD (ARA SYSTEM CONTROL BOARD)
33 CABLES - PANEL MOUNT (ARA SYSTEM CONTROL BOARD)
35 SCALE UNIT (USED WITH TWO-PIECE SCALE/PRINTER)



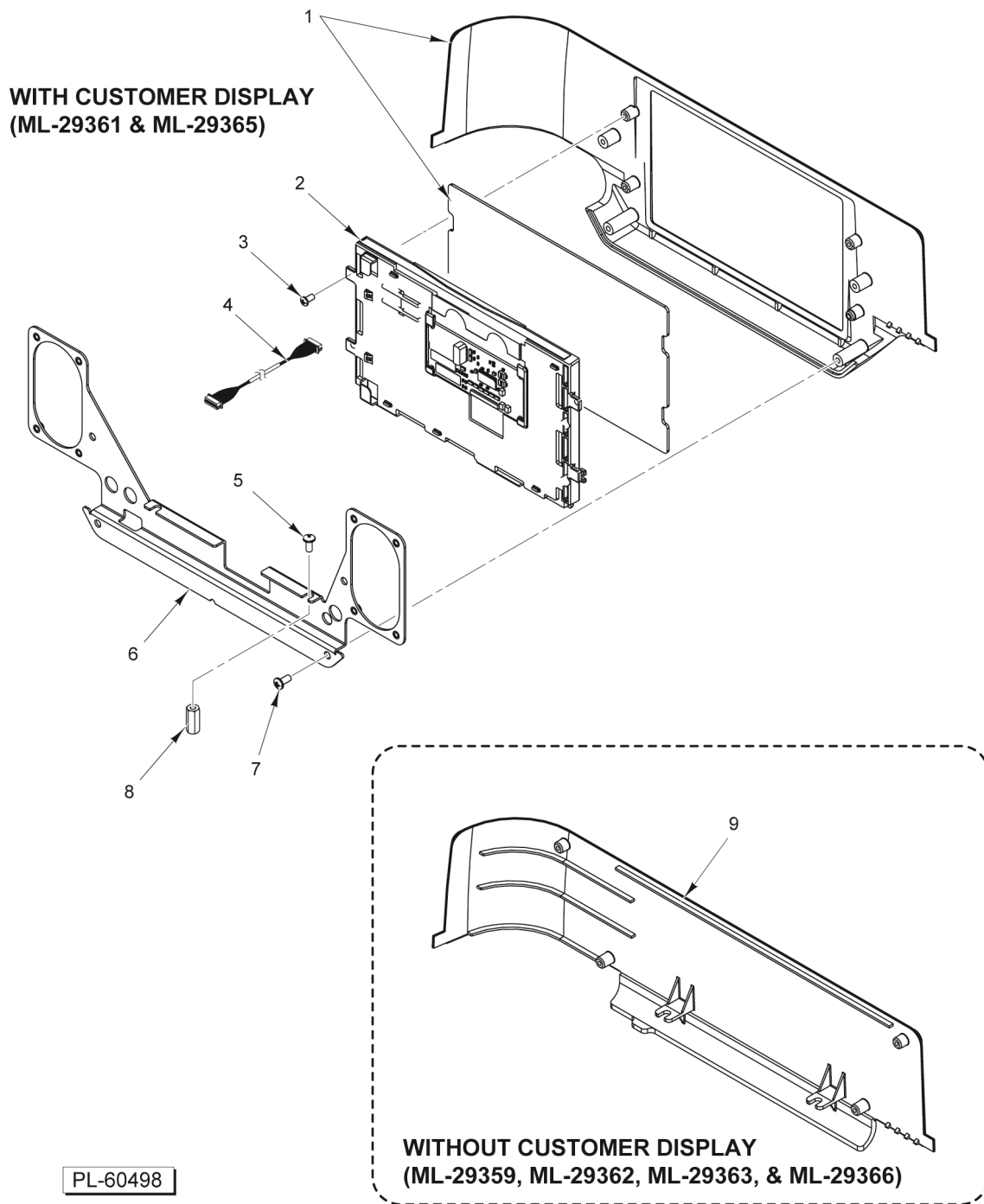
17 00-255502 Tie - Cable
18 00-913108 Stylus
PARTS NOT ILLUSTRATED

PL-60270

OPERATOR CONSOLE

OPERATOR CONSOLE

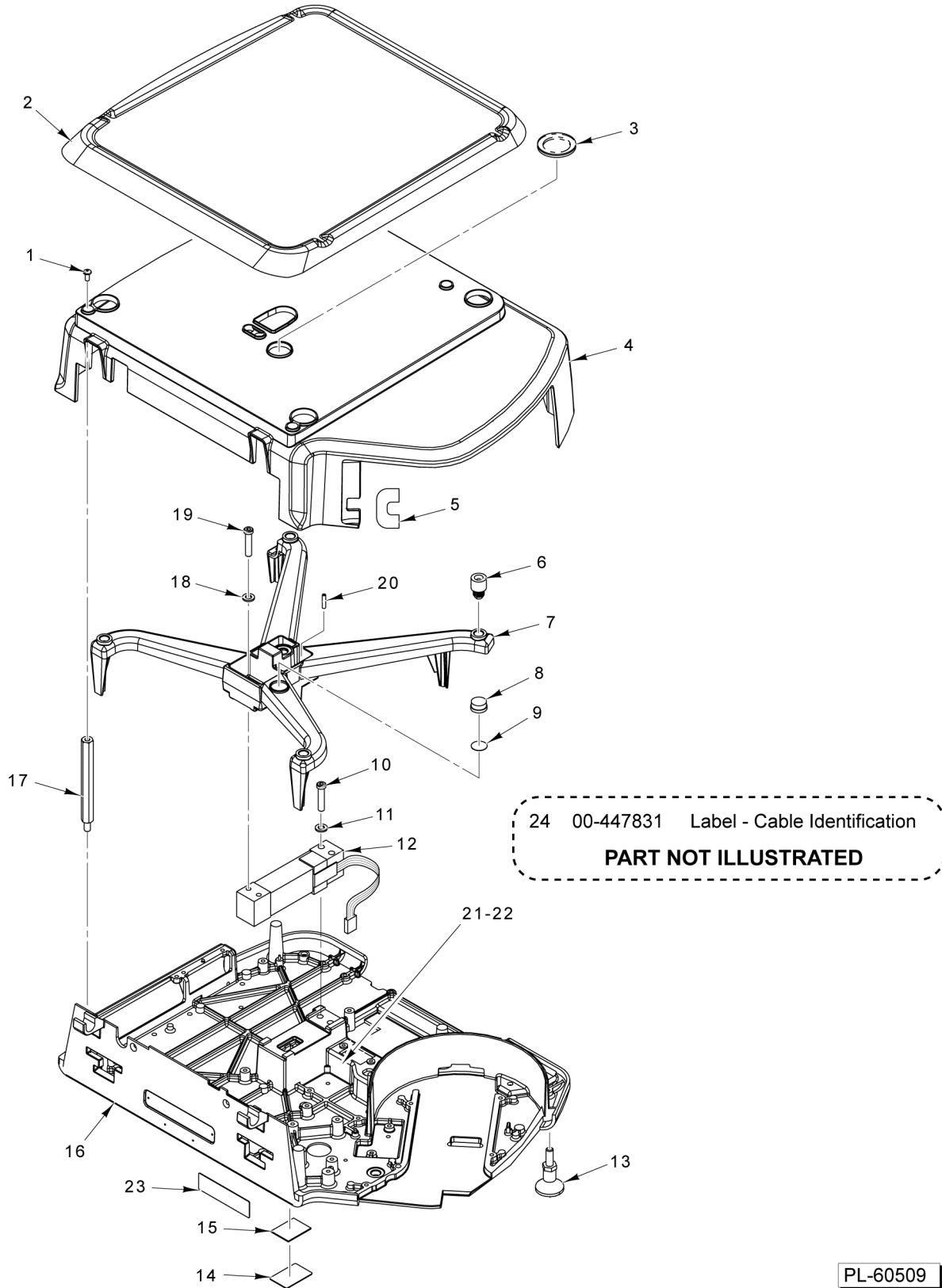
ILLUS.	PART NO.	NAME OF PART	AMT.
PL-60270			
1	00-447080	Touchscreen Housing Assembly.....	1
2	00-447157	Display (10.1 In.) (TFT) (WVGA LED).....	1
3	00-447813	Bracket Assy. - Display Mounting.....	1
4	00-447095	Cable Assy. (Operator Display LVDS).....	1
5	00-447084	Guide - Spring.....	1
6	00-043316	Spring - Latch Return.....	2
7	00-447039	Arm - Console Latch.....	2
8	00-447040	Button - Console Latch.....	2
9	00-447038	Grommet.....	1
10	00-447018	Housing - Console Rear (Black).....	1
11	00-447076	Plate - Scanner Cover (Black).....	1
12	SC-018-30	Mach. Screw 8-32 x 1/4 Phil. Pan Hd.....	2
13	SC-018-30	Mach. Screw 8-32 x 1/4 Phil. Pan Hd.....	7
14	SC-018-28	Mach. Screw 6-32 x 1/4 Phil. Pan Hd.....	2
15	SC-018-28	Mach. Screw 6-32 x 1/4 Phil. Pan Hd.....	4
16	00-447167	Cable Assy. (Touchscreen).....	1
17	00-255502	Tie - Cable Locking.....	AR
18	00-913108	Stylus (With Hobart Service Logo).....	1



CUSTOMER DISPLAY

CUSTOMER DISPLAY

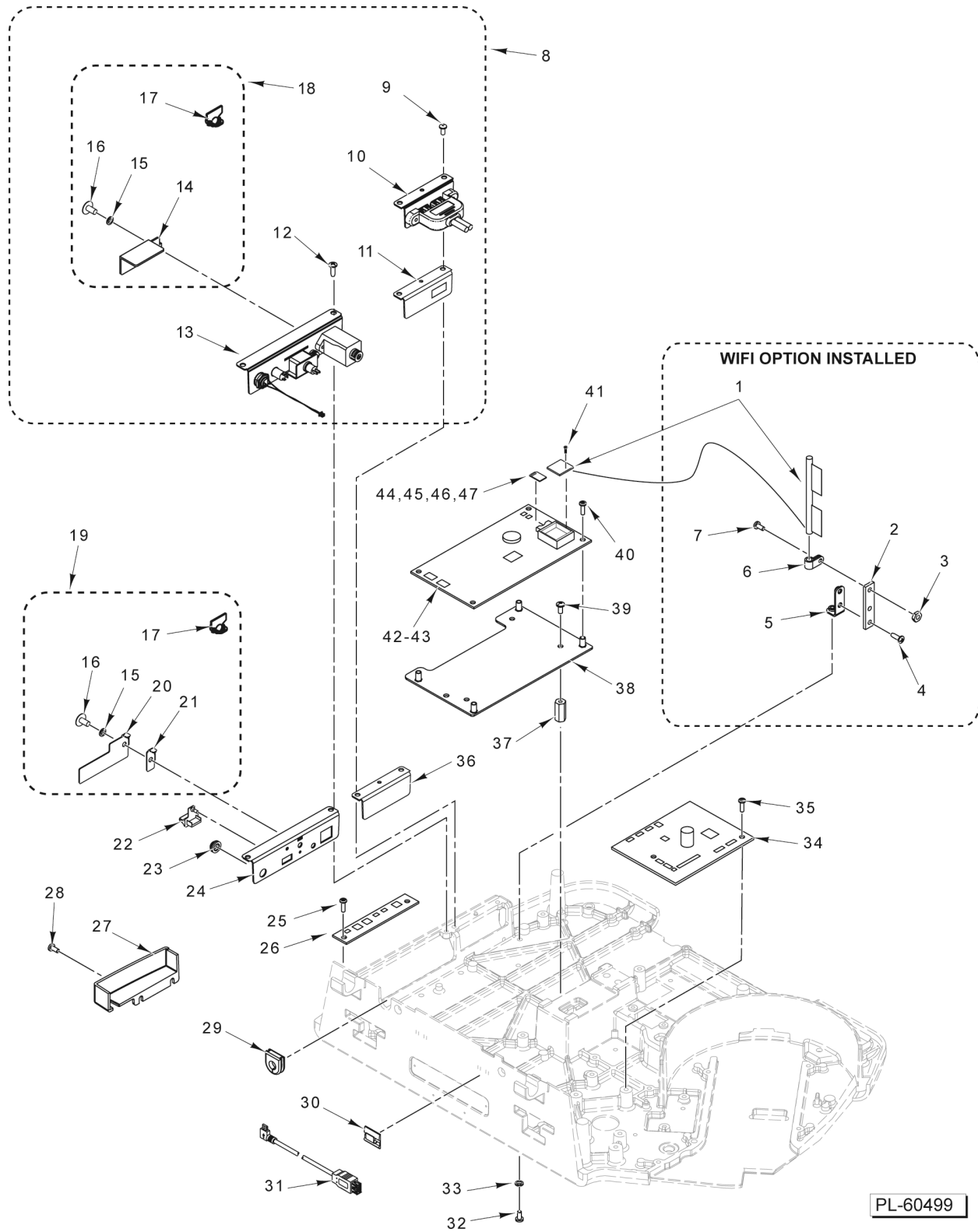
ILLUS.	PART NO.	NAME OF PART	AMT.
PL-60498			
1	00-449178	Housing Assy, Customer Display.....	1
2	00-447081	Display Assy. (7 In.).....	1
3	SD-033-14	Self-Tapping Screw 4-40 x 1/4 Phil. Pan Hd.....	4
4	00-447032	Cable Assy. (Customer Display) (LVDS).....	1
5	SA-021-52	Mach. Screw Assy. 8-32 x 7/8 Phil. Pan Hd.....	2
6	00-447063	Bracket - Speaker Mounting.....	1
7	SD-037-71	Self-Tapping Screw 6-19 x 5/16 Phil. Pan Hd.....	4
8	00-446929	Spacer - Mounting (GCD).....	2
9	00-447052	Panel - Housing Filler (Without Customer Display).....	1



WEIGHER COMPONENTS

WEIGHER COMPONENTS

ILLUS.	PART NO.	NAME OF PART	AMT.
PL-60509			
1	SC-129-33	Mach. Screw 8-32 x 3/8 Phil. Pan Hd.....	4
2	00-447083	Platter Assy.....	1
3	00-441243	Cover - Level Bubble (Incls. Foam Gasket).....	1
4	00-447050	Housing - Main (Black).....	1
5	00-447058	Shield - Infrared.....	1
6	00-043319	Mount - Platter.....	5
7	00-043302	Platter - Sub.....	1
8	00-043112	Level - Spirit.....	1
9	00-043257	Tape - Level.....	1
10	SC-120-70	Cap Screw 1/4-20 x 1-5/8 Hex Socket Hd.....	2
11	WL-008-17	Lockwasher 1/4 Internal.....	2
12	00-443075	Load Cell - Multiple Range (15 kg).....	1
13	00-447055	Foot Assy.....	4
14	00-043389	Plate - Remote Weigher.....	1
15	00-043256	Tape.....	1
16	00-444750-00005	Base - Main.....	1
17	00-043318	Standoff (Housing Mount).....	4
18	WL-008-17	Lockwasher 1/4 Internal.....	2
19	SC-120-70	Cap Screw 1/4-20 x 1-5/8 Hex Socket Hd.....	2
20	00-043286	Screw - Overload (Stop).....	2
21	00-043256	Tape.....	1
22	00-043390	Plate - SM Port.....	1
23	00-184336	Label - Interference Warning.....	1
24	00-447831	Label - Cable Identification.....	1



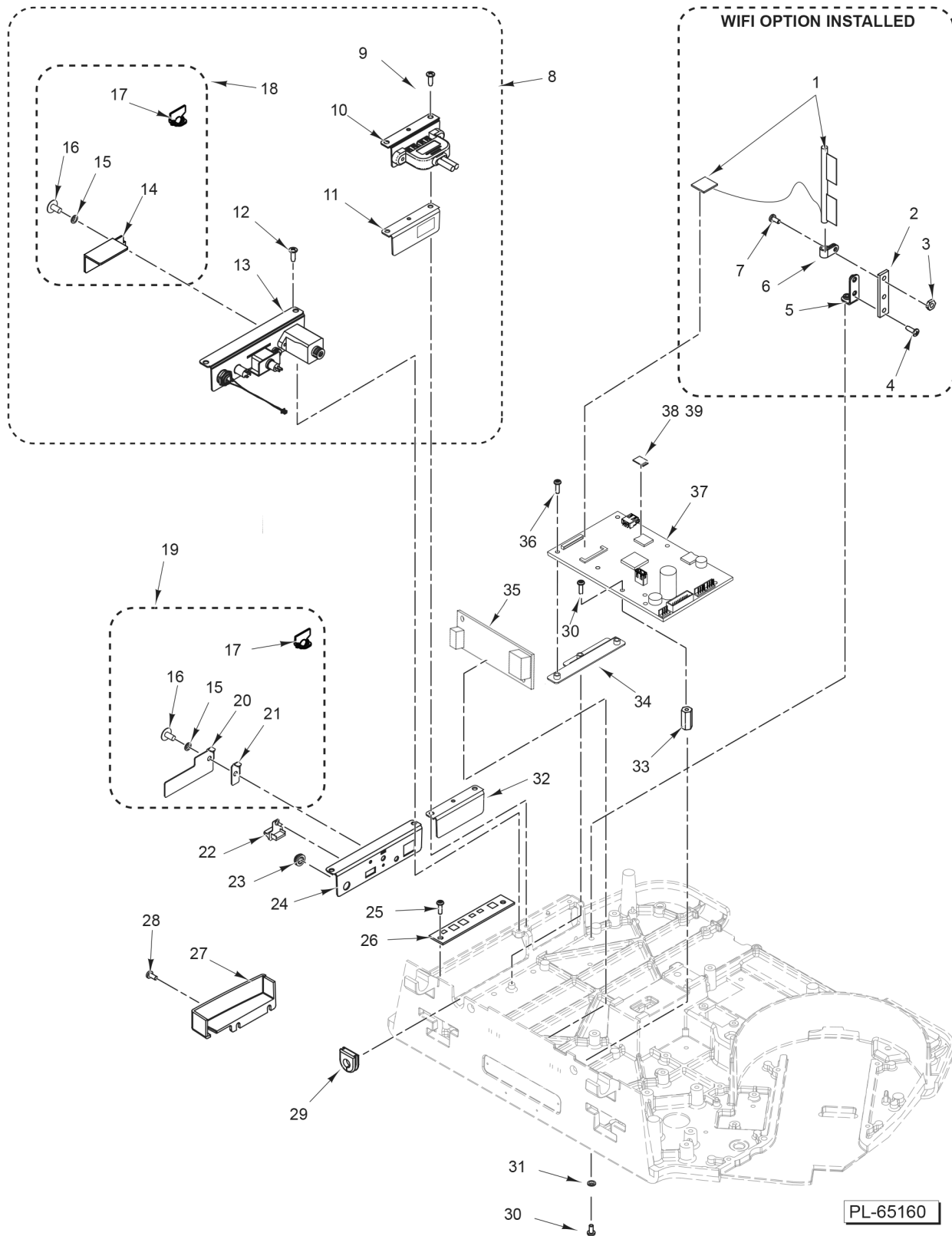
PL-60499

**MAIN CIRCUIT COMPONENTS
(SYSTEM CONTROL / PERIPHERAL PCB)**

**MAIN CIRCUIT COMPONENTS
(SYSTEM CONTROL / PERIPHERAL PCB)**

ILLUS.	PART NO.	NAME OF PART	AMT.
PL-60499			
*1	00-449162	Kit - WiFi Module and Antenna (Must replace as set).....	1
*2	00-447086	Isolator - Antenna.....	1
*3	NS-031-07	Stop Nut 8-32 Hex.....	1
*4	SC-129-33	Mach. Screw 8-32 x 3/8 Phil. Pan Hd.....	2
*5	00-447087	Bracket - Antenna.....	1
*6	00-447108	Clamp P.....	1
*7	SD-015-40	Self-Tapping Screw 8-32 x 3/8 Phil. Pan Hd., Type TT.....	1
8	00-448274	Kit - Service (Panel Mount) (Incls Items 10, 11, 13, & 18).....	1
9	SD-015-40	Self-Tapping Screw 8-32 x 3/8 Phil. Pan Hd., Type TT.....	2
**10	00-448056	Bracket Assy. (USB Panel Mount) Bracket - Cable Assy. (Dual USB Panel).....	1
**11	00-448039	Bracket - USB Mounting (Single).....	1
12	SD-015-40	Self-Tapping Screw 8-32 x 3/8 Phil. Pan Hd., Type TT.....	2
**13	00-448030	Bracket Assy. (Panel Mount).....	1
**14		Plate - Security (Part of Item 18).....	1
15	WL-003-12	Lockwasher #8 Helical.....	1
16	00-183906	Screw (Special Fil. Hd.).....	1
17	00-444424	Seal - Wire Roto (8 In.).....	1
**18	00-448245	Kit - Security (Incls Items 14 thru 17).....	1
***19	00-447089	Kit - Security (Incls. Items 15 thru 17, 20, & 21).....	1
****20	00-447067	Plate - USB Cover.....	1
****21	00-447088	Plate - Security.....	1
****22	00-443581	Plug - USB Type A.....	1
****23	00-443606	Seal - Power / Reset Button.....	1
****24	00-447803	Bracket - Connector Board.....	1
****25	SC-129-33	Mach. Screw 8-32 x 3/8 Phil. Pan Hd.....	2
****26	00-447720	Board - Connector (Black).....	1
27	00-447059	Cover - Network.....	1
28	SD-039-75	Self-Tapping Screw 8-32 x 3/8, Type TT (Black).....	3
29	00-447046	Grommet.....	1
30	00-447818	Clip - Cable.....	2
31	00-447785	Cable Assy. - USB (Service) (USB Service).....	1
32	SD-015-40	Self-Tapping Screw 8-32 x 3/8 Phil. Pan Hd., Type TT.....	AR
33	WL-008-07	Lockwasher #8 Internal Shakeproof.....	AR
34	00-447780	Board - Peripheral Control (Black).....	1
35	SC-129-33	Mach. Screw 8-32 x 3/8 Phil. Pan Hd.....	2
36	00-447069	Bracket - GCB Blank.....	1
37	00-447802	Standoff.....	4
38	00-447012	Bracket Assy. - Main Board.....	1
39	SC-129-33	Mach. Screw 8-32 x 3/8 Phil. Pan Hd.....	4
40	SC-112-42	Mach. Screw 6-32 x 1/2 Phil. Pan Hd.....	5
41	SC-132-06	Screw - Mach M2 X 0.4 X 4MM.....	2
42	00-447777	Board - System Control (HTs) (iMX6-Solo) (Blue).....	1
43	00-449459	Board - System Control (HTs) (iMX6-Solo) (Blue) (Use only in scales where application V3.0 or higher is currently installed).....	1
44	00-447164-00014	Micro SD (Programmed) (8GB) (Version 1.12.0).....	1
45	00-447907-00008	Micro SD (Programmed) (16GB) (Version 2.3.0).....	1
46	00-448959-00002	Micro SD (Programmed) (16GB) (Version 2.5.0).....	1
47	00-449454-00006	Micro SD (Programmed) (16GB) (Version 3.2.0) (Use only in scales where application V3.0 or higher is currently installed).....	1

* Optional - ML-29363, ML-29364, ML-29365, ML-29366
** Starting SN 451127618
*** Before SN 451127618



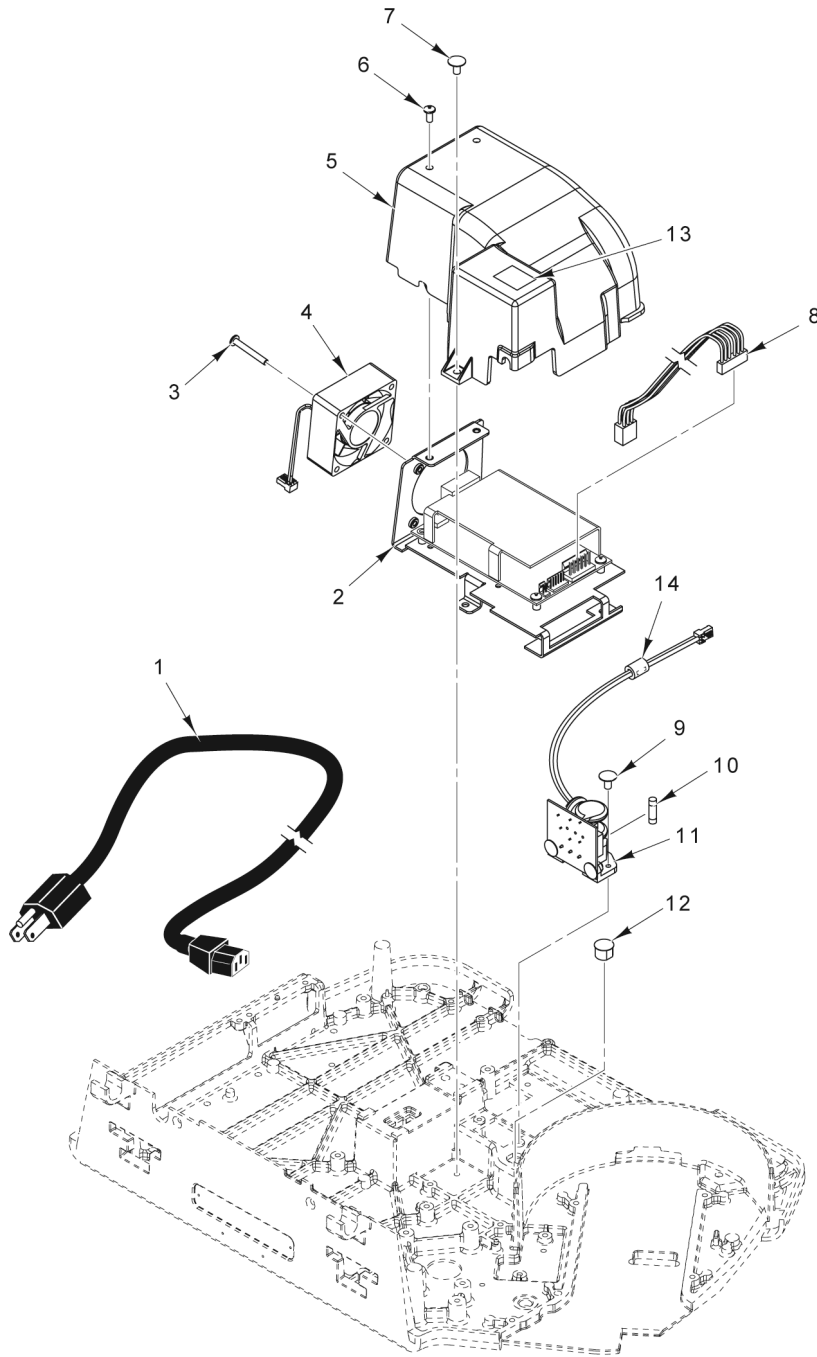
PL-65160

**MAIN CIRCUIT COMPONENTS
(ARA SYSTEM CONTROL PCB)**

MAIN CIRCUIT COMPONENTS (ARA SYSTEM CONTROL PCB)

ILLUS.	PART NO.	NAME OF PART	AMT.
PL-65160			
*1	00-449711	Kit - Wifi Module & Antenna Kit - WiFi Module and Antenna (Must replace as set).....	1
*2	00-447086	Isolator - Antenna.....	1
*3	NS-031-07	Stop Nut 8-32 Hex.....	1
*4	SC-129-33	Mach. Screw 8-32 x 3/8 Phil. Pan Hd.....	2
*5	00-447087	Bracket - Antenna.....	1
*6	00-447108	Clamp P.....	1
*7	SD-015-40	Self-Tapping Screw 8-32 x 3/8 Phil. Pan Hd., Type TT.....	1
8	00-448274	Kit - Service (Panel Mount) (Incls Items 10, 11, 13, & 18).....	1
**9	SD-015-40	Self-Tapping Screw 8-32 x 3/8 Phil. Pan Hd., Type TT.....	2
**10	00-448056	Bracket - Cable Assy. (Dual USB Panel).....	1
**11	00-448039	Bracket - USB Mounting (Single).....	1
**12	SD-015-40	Self-Tapping Screw 8-32 x 3/8 Phil. Pan Hd., Type TT.....	2
**13	00-448030	Bracket Assy. (Panel Mount).....	1
**14		Plate - Security (Part of Item 18).....	1
15	WL-003-12	Lockwasher #8 Helical.....	1
16	00-183906	Screw (Special Fil. Hd.).....	1
17	00-444424	Seal - Wire Roto (8 In.).....	1
**18	00-448245	Kit - Security Seal (With Security Plate) Kit - Security (Incls Items 14 thru 17).....	1
***19	00-447089	Kit - Security (Incls Items 15 thru 17, 20, & 21).....	1
***20	00-447067	Plate - USB Cover.....	1
***21	00-447088	Plate - Security.....	1
***22	00-443581	Plug - USB Type A.....	1
***23	00-443606	Seal - Power / Reset Button.....	1
***24	00-447803	Bracket - Connector Board.....	1
***25	SC-129-33	Mach. Screw 8-32 x 3/8 Phil. Pan Hd.....	2
***26	00-447720	Board - Connector (Black).....	1
27	00-447059	Cover - Network.....	1
28	SD-039-75	Self-Tapping Screw 8-32 x 3/8, Type TT (Black).....	3
29	00-447046	Grommet.....	1
30	SD-015-40	Self-Tapping Screw 8-32 x 3/8 Phil. Pan Hd., Type TT.....	AR
31	WL-008-07	Lockwasher #8 Internal Shakeproof.....	AR
***32	00-447069	Bracket - GCB Blank.....	1
***33	00-447802	Standoff.....	2
***34	00-448321	Bracket - ARA Board.....	1
35	00-449512	Board - Touchscreen Control.....	1
***36	SC-018-30	Mach. Screw 8-32 x 1/4 Phil. Pan Hd.....	2
37	00-448410	Board - System Control (ARA - Solo).....	1
38	00-449454-00014	MICRO SD, PROGRAMMED, HT SERIES, 16G (V3.3.200).....	1
39	00-450134-00001	Micro SD, Programed, HT SERIES/ PREPACK 4.0.0.....	1

* Optional - ML-29363, ML-29364, ML-29365, ML-29366
** Starting SN 451127618
*** Before SN 451127618
**** Reqd. for ARA PCB retrofit before SN 451184328

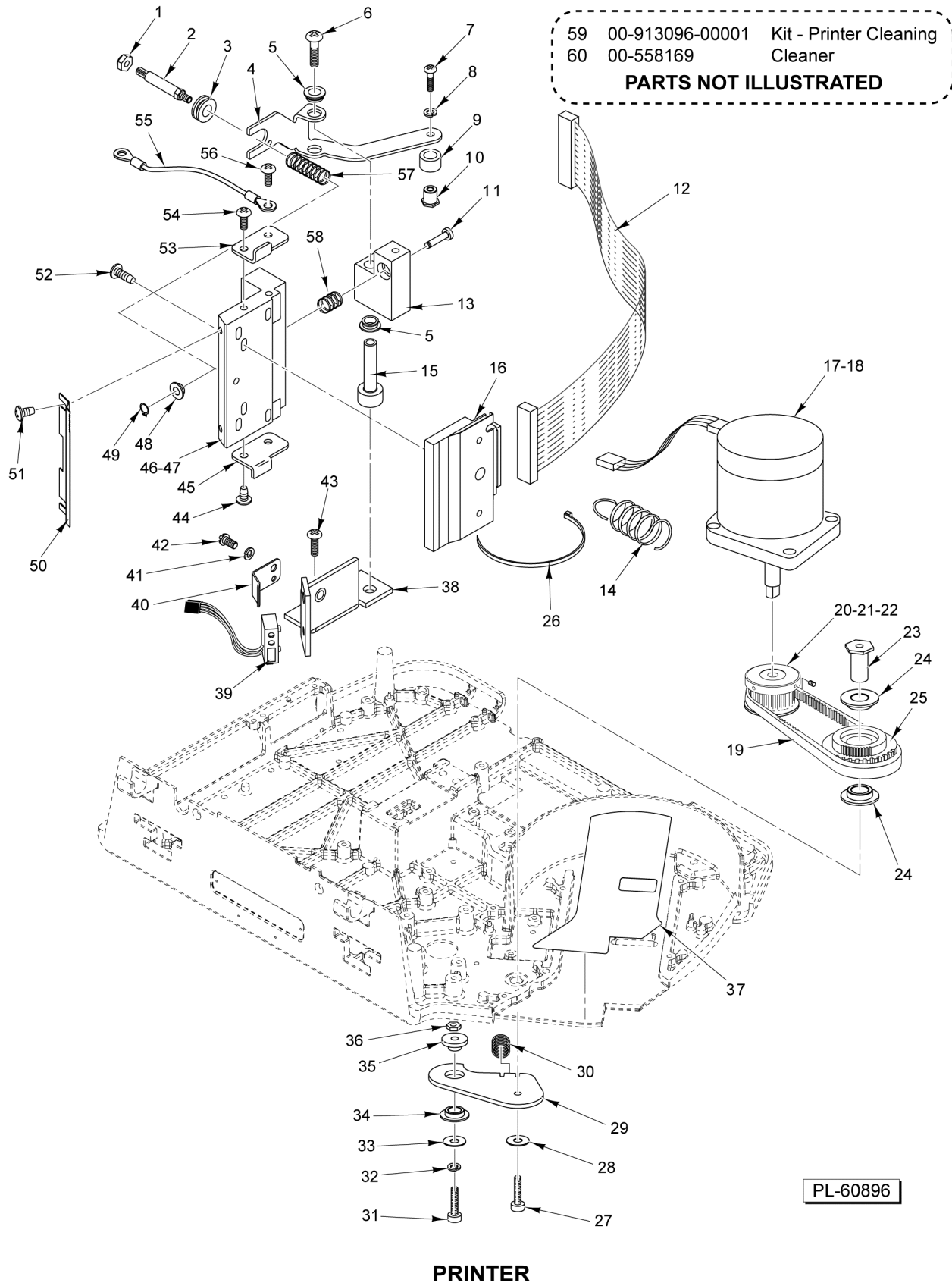


PL-60272

POWER SUPPLY

POWER SUPPLY

ILLUS.	PART NO.	NAME OF PART	AMT.
PL-60272			
1	00-044479	Cord - Power (120 V.).....	1
2	00-444870-00002	Power Supply & Baffle Assy.....	1
3	SA-021-55	Mach Screw Assy 8-32 v 3/8 Cap Hd.....	2
4	00-444906	Fan Assy.....	1
5	00-444799	Shroud - Power Supply.....	1
6	SC-129-33	Mach. Screw 8-32 x 3/8 Phil. Pan Hd.....	2
7	SD-015-40	Self-Tapping Screw 8-32 x 3/8 Phil. Pan Hd., Type TT.....	1
8	00-444769	Cable Assy. - DC Power.....	1
9	SD-015-38	Self-Tapping Screw 6-32 x 3/8 Phil. Pan Hd., Type TT.....	2
10	FE-025-32	Fuse (250 V., 3.0 Amp.) (SLO) (Power Input Board).....	1
11	00-448290	Board - Power Input (Incls. Item 10).....	1
12	PB-005-28	Plug - Button (1/2 In.).....	1
13	00-047052	Label - Fuse.....	1
14	00-447094	Ferrite (Clamp-On).....	1

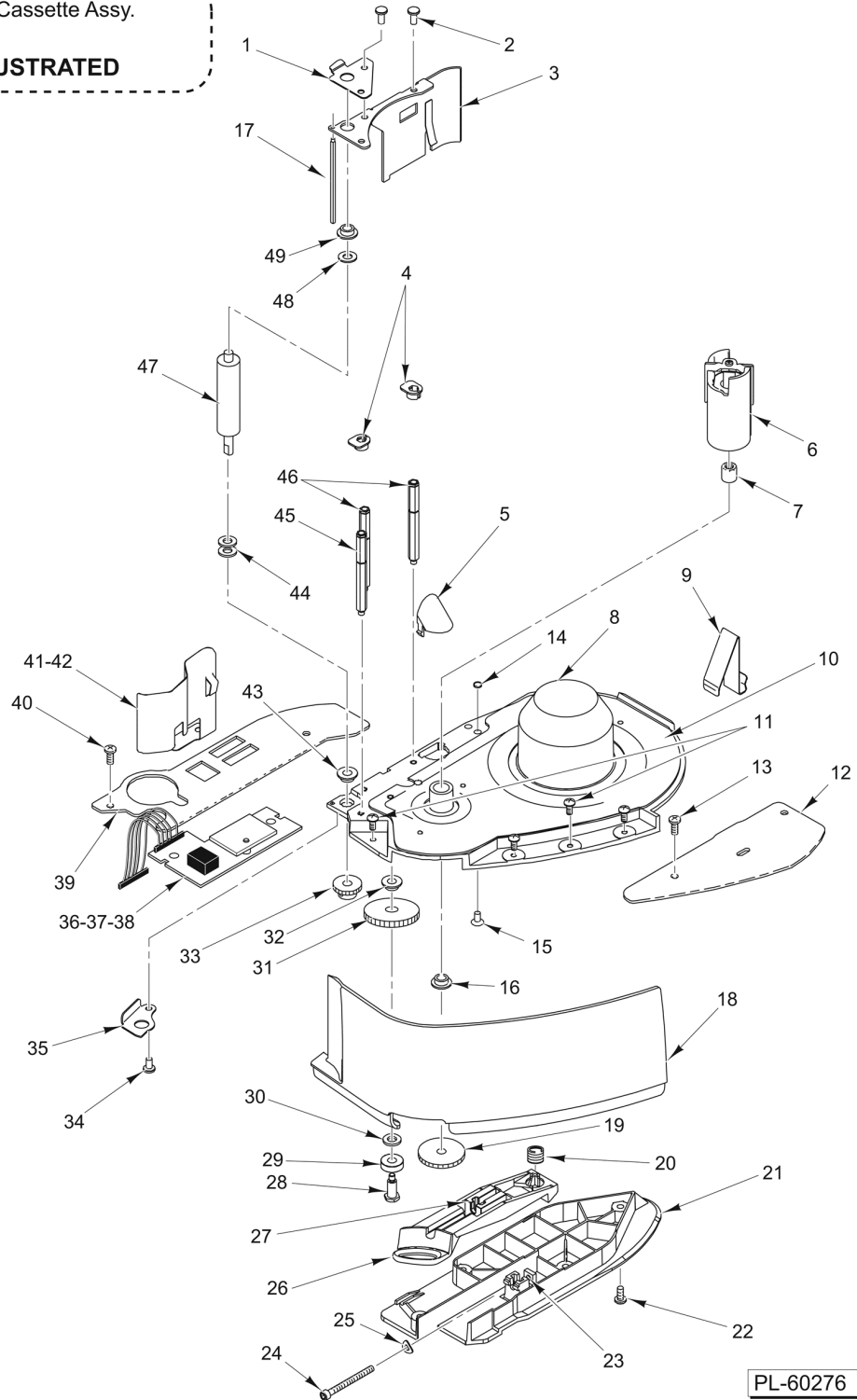


PRINTER

ILLUS. PL-60896	PART NO.	NAME OF PART	AMT.
1	NS-031-49	Stop Nut 10-32 Hex (SST).....	1
2	00-043267	Stud - Adjusting.....	1
3	00-043382	Bushing - Stud.....	1
4	00-043299	Bracket - Spring Pivot.....	1
5	00-043253	Bushing - Nylon.....	2
6	SD-038-05	Self-Tapping Screw 8-32 x 1-3/4 Phil. Pan Hd., Type TT.....	1
7	SC-018-31	Mach. Screw 8-32 x 3/8 Phil. Pan Hd.....	1
8	WL-008-07	Lockwasher #8 Internal Shakeproof.....	1
9	00-043385	Roller - Pivot Arm.....	1
10	00-043386	Retainer - Roller.....	1
11	00-047424	Shaft - Printhead Pivot.....	1
12	00-444846	Cable Assy. - Printhead.....	1
13	00-047423	Pivot Block - Printhead.....	1
14	00-043387	Spring - Extension.....	1
15	00-047441	Sleeve - Pivot.....	1
16	00-448003	Printhead - Thermal (Kyocera).....	1
17	00-440142-00002	Motor Assy. - Stepper.....	1
18	SD-015-40	Self-Tapping Screw 8-32 x 3/8 Phil. Pan Hd., Type TT.....	3
19	00-442823	Belt - Timing.....	1
20	00-442822	Pulley - Take-Up Motor.....	1
21	SC-047-74	Set Screw 8-32 x 1/4 Hdls. Cup Pt.....	2
22	00-512987	Adhesive (Loctite #222, Purple).....	AR
23	00-441758	Shaft - Pulley & Gear.....	1
24	00-043365	Bushing.....	2
25	00-043250	Pulley & Gear Assy. (Incls. Item 24).....	1
26	00-255502	Tie - Cable Locking.....	1
27	SC-092-36	Cap Screw 6-32 x 1/2 Hex Socket Hd.....	1
28	WL-008-02	Lockwasher #6 Internal Shakeproof.....	1
29	00-447373	Plate - Pivot (Incls. Item 34).....	1
30	00-048374	Spring - Printhead Adjusting.....	1
31	SC-111-83	Cap Screw 6-32 x 3/4 Hex Socket Hd.....	1
32	WL-008-02	Lockwasher #6 Internal Shakeproof.....	1
33	WS-019-41	Washer (SST).....	1
34	00-043365	Bushing.....	1
35	00-441760	Bushing - Gear Adjusting.....	1
36	NS-031-03	Stop Nut 6-32 Hex.....	1
37	00-441701	Label - Anti-Friction.....	1
38	00-047442	Bracket - Label Taken Mtg.....	1
39	00-043610	Sensor Assy. - Label Taken.....	1
40	00-043394	Bracket - Label Taken.....	1
41	WL-008-07	Lockwasher #8 Internal Shakeproof.....	1
42	SC-018-31	Mach. Screw 8-32 x 3/8 Phil. Pan Hd.....	1
43	SD-015-40	Self-Tapping Screw 8-32 x 3/8 Phil. Pan Hd., Type TT.....	2
44	SD-015-37	Self-Tapping Screw 6-32 x 1/4 Phil. Pan Hd., Type TT.....	2
45	00-047438	Stop - Printhead Lower.....	1
46	00-442996	Heat Sink and Bushing Assy. (Incls. Item 48).....	1
47	00-519504	Thermo Joint Compound (2 Oz.).....	AR
48	00-043365	Bushing.....	2
49	RR-006-22	Retaining Ring 1/4 In. (SST).....	1
50	00-032887	Tearbar.....	1
51	SD-015-37	Self-Tapping Screw 6-32 x 1/4 Phil. Pan Hd., Type TT.....	2
52	SA-021-46	Screw Assy. M3 x 0.5 x 12 mm Phil. Pan Hd.....	2
53	00-047437	Stop - Printhead Upper.....	1
54	SD-015-37	Self-Tapping Screw 6-32 x 1/4 Phil. Pan Hd., Type TT.....	1
55	00-049396	Wire - Drain (Ground).....	1
56	SD-015-37	Self-Tapping Screw 6-32 x 1/4 Phil. Pan Hd., Type TT.....	1
57	00-043333	Spring - Printhead.....	1
58	00-048374	Spring - Printhead Adjusting.....	1
59	00-913096-00001	Kit - Thermal Printer Cleaning.....	1
60	00-558169	Cleaner (Electronics) (12 Oz. Can).....	AR

50 00-444875-00005 Cassette Assy.

PART NOT ILLUSTRATED



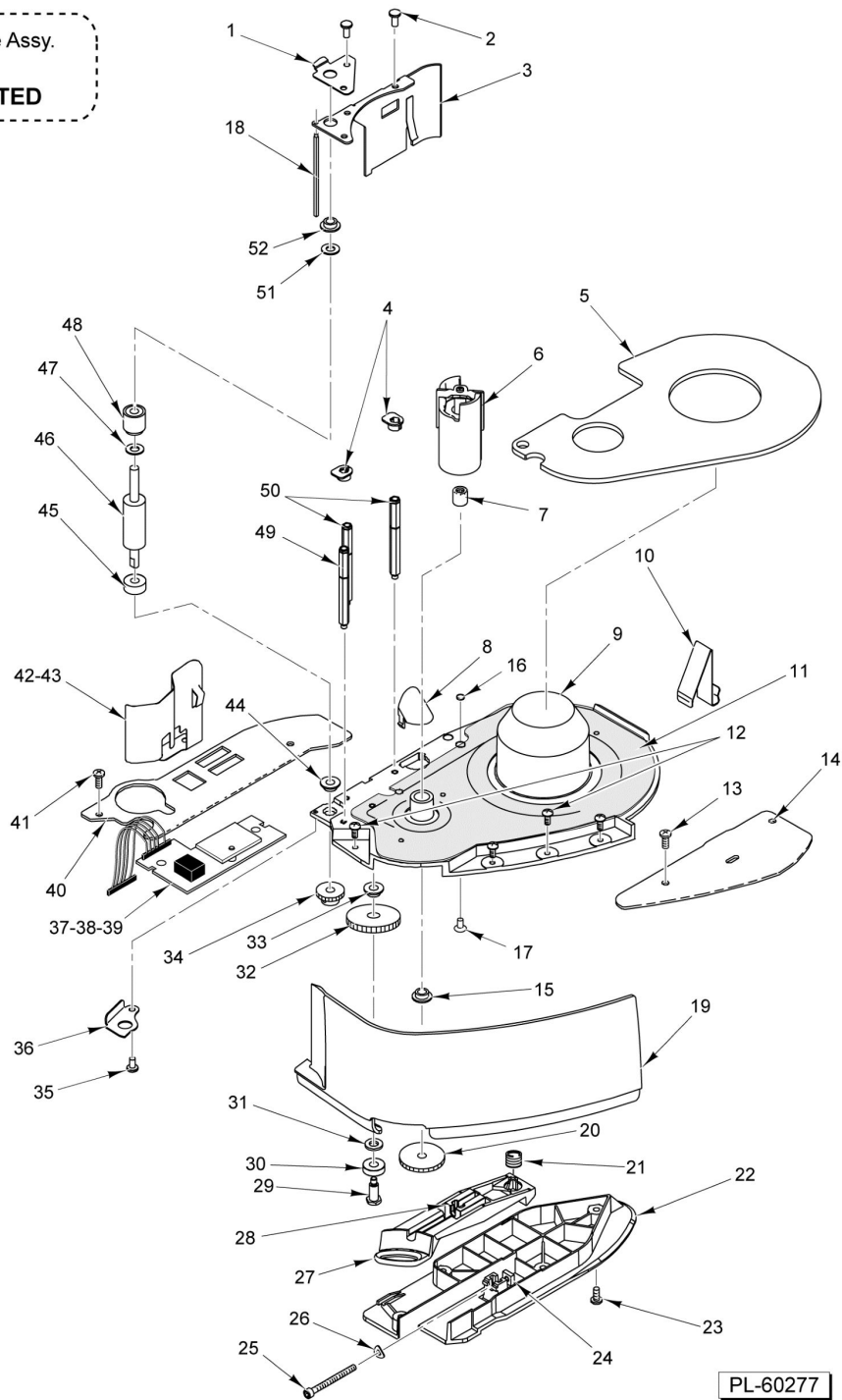
PL-60276

**CASSETTE
(WIDE LABEL)**

CASSETTE (WIDE LABEL)

ILLUS.	PART NO.	NAME OF PART	AMT.
PL-60276			
1	00-047456	Plate - Cassette Locating (Upper).....	1
2	00-048489	Mach. Screw 8-32 x 3/8 Phil. Pan Hd.....	3
3	00-047392	Retaining Plate - Roller.....	1
4	00-043369	Guide - Label.....	2
5	00-043367	Reflector.....	1
6	00-444660	Take-Up Assy.....	1
7	00-043396	Needle Bearing.....	1
8	00-043351	Base - Cassette.....	1
9	00-443735	Spring - Cassette Eject.....	1
10	00-440635	Label - Threading Instructions.....	1
11	SA-021-39	Screw Assy. 8-32 x 3/8 Phil. Pan Hd.....	4
12	00-043343	Rail - Guide (RH).....	1
13	SD-015-40	Self-Tapping Screw 8-32 x 3/8 Phil. Pan Hd., Type TT.....	2
14	00-446589	Magnet - Disc.....	1
15	00-446917	Mach. Screw 8-32 x 1/8 Phil. Pan Hd.....	1
16	00-043365	Bushing.....	1
17	00-043357	Peel Bar.....	1
18	00-447051	Cover - Cassette Front.....	1
19	00-043362	Gear - Take-Up (Incls. Set Screw).....	1
20	00-043356	Spring - Cassette Latch.....	1
21	00-043355	Guide - Cassette.....	1
22	SD-015-40	Self-Tapping Screw 8-32 x 3/8 Phil. Pan Hd., Type TT.....	4
23	NS-008-25	Nut 8-32 Sq. Hd.....	1
24	00-441172	Cap Screw 8-32 x 1-3/4 Hex Socket Hd.....	1
25	00-043271	Washer - Wavy.....	1
26	00-043353	Latch - Cassette.....	1
27	00-043354	Pivot Block - Adjust.....	1
28	00-043363	Shaft - Idler.....	1
29	00-131761	Ball Bearing - Double-Shielded Radial.....	1
30	00-043269	Washer.....	1
31	00-032974	Gear - Idler (Incls. Item 32).....	1
32	00-043365	Bushing.....	1
33	00-043360	Gear - Roller (Incls. Set Screw).....	1
34	SC-018-34	Mach. Screw 8-32 x 1/2 Phil. Pan Hd.....	1
35	00-047457	Plate - Cassette Locating (Lower).....	1
36	00-446820	Kit - Media Hall Sensor.....	1
37	00-044631	Insulator - Media Sensor Board.....	1
38	SD-015-40	Self-Tapping Screw 8-32 x 3/8 Phil. Pan Hd., Type TT.....	2
39	00-043270	Rail - Guide (LH).....	1
40	SD-015-40	Self-Tapping Screw 8-32 x 3/8 Phil. Pan Hd., Type TT.....	2
41	00-046479	Spring - Label Guide.....	1
42	SD-015-40	Self-Tapping Screw 8-32 x 3/8 Phil. Pan Hd., Type TT.....	1
43	00-047458	Bearing - Flange.....	1
44	00-043269	Washer.....	2
45	00-047455	Standoff.....	1
46	00-032914	Standoff.....	2
47	00-047506	Roller - Print.....	1
48	00-043269	Washer.....	1
49	00-043365	Bushing.....	1
50	00-444875-00005	Cassette Assy.....	1

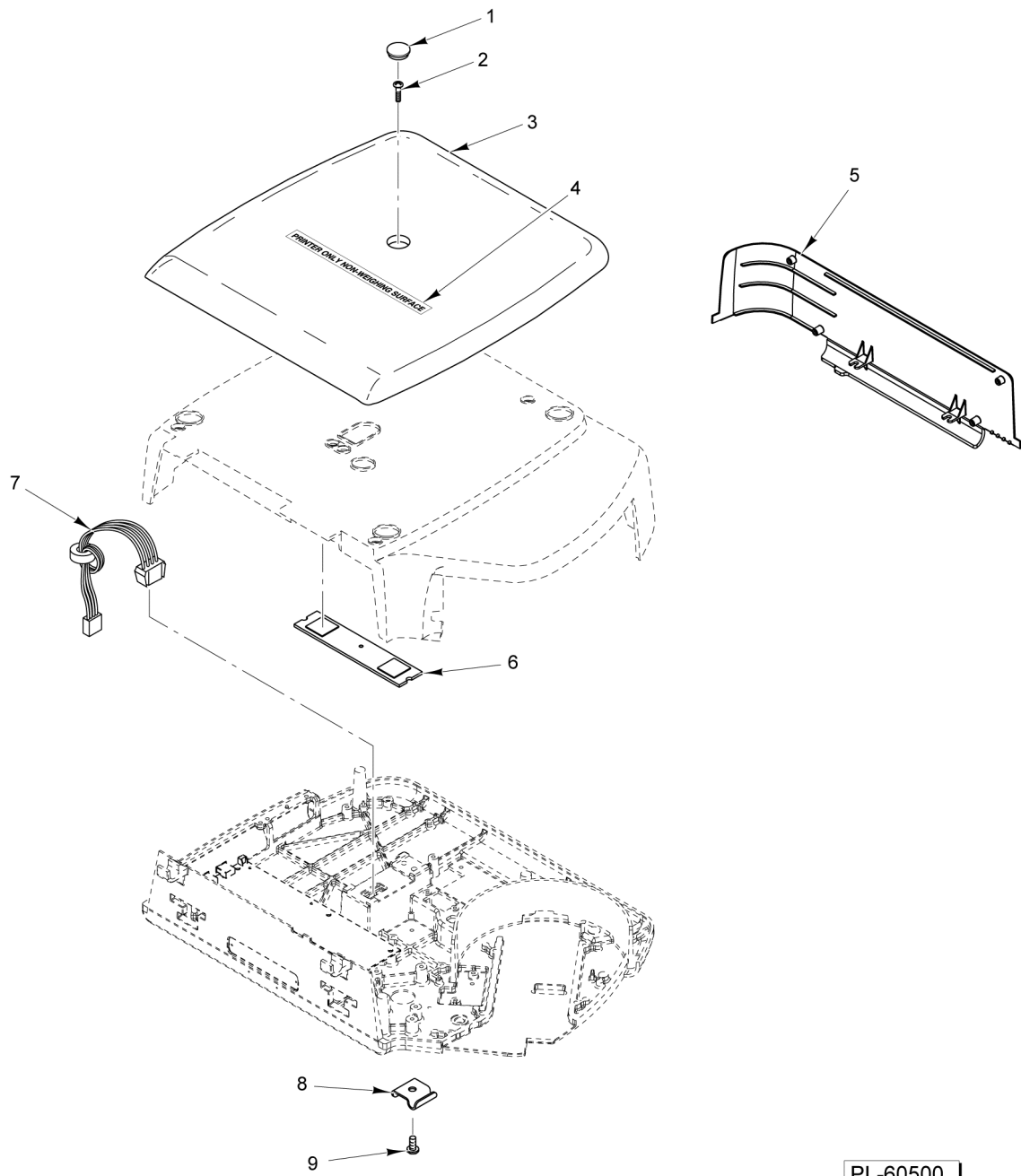
53 00-447770 Cassette Assy.
PART NOT ILLUSTRATED



**CASSETTE
(NARROW LABEL)**

**CASSETTE
(NARROW LABEL)**

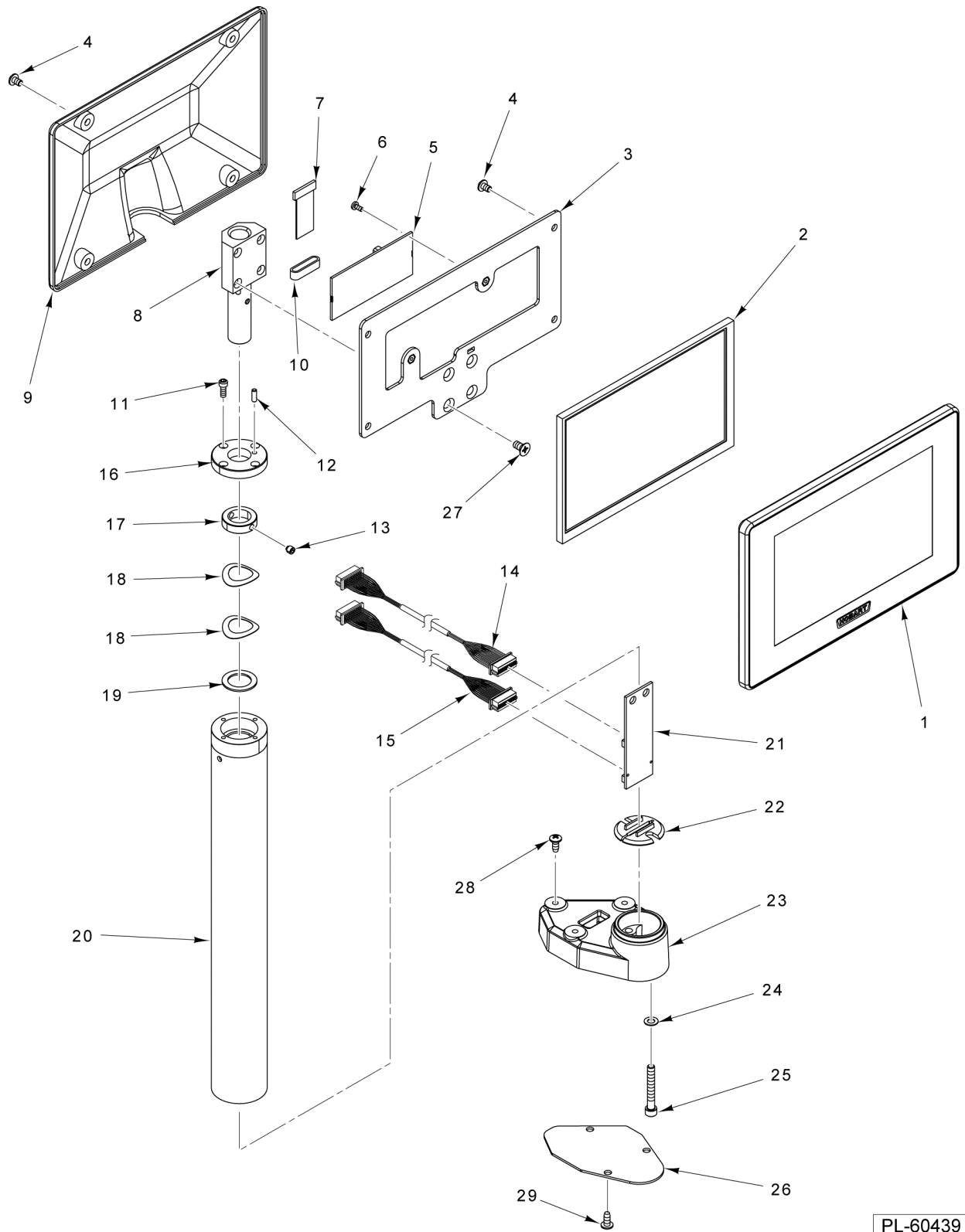
ILLUS. PL-60277	PART NO.	NAME OF PART	AMT.
1	00-047456	Plate - Cassette Locating (Upper).....	1
2	00-048489	Mach. Screw 8-32 x 3/8 Phil. Pan Hd.....	3
3	00-047392	Retaining Plate - Roller.....	1
4	00-043369	Guide - Label.....	2
5	00-032905	Spacer - Narrow Label.....	1
6	00-444660	Take-Up Assy.....	1
7	00-043396	Needle Bearing.....	1
8	00-043367	Reflector.....	1
9	00-043351	Base - Cassette.....	1
10	00-443735	Spring - Cassette Eject.....	1
11	00-440635	Label - Threading Instructions.....	1
12	SA-021-39	Screw Assy. 8-32 x 3/8 Phil. Pan Hd.....	4
13	SD-015-40	Self-Tapping Screw 8-32 x 3/8 Phil. Pan Hd., Type TT.....	2
14	00-043343	Rail - Guide (RH).....	1
15	00-043365	Bushing.....	1
16	00-446589	Magnet - Disc.....	1
17	00-446917	Mach. Screw 8-32 x 1/8 Phil. Pan Hd.....	1
18	00-043357	Peel Bar.....	1
19	00-447051	Cover - Cassette Front.....	1
20	00-043362	Gear - Take-Up (Incls. Set Screw).....	1
21	00-043356	Spring - Cassette Latch.....	1
22	00-043355	Guide - Cassette.....	1
23	SD-015-40	Self-Tapping Screw 8-32 x 3/8 Phil. Pan Hd., Type TT.....	4
24	NS-008-25	Nut 8-32 Sq. Hd.....	1
25	00-441172	Cap Screw 8-32 x 1-3/4 Hex Socket Hd.....	1
26	00-043271	Washer - Wavy.....	1
27	00-043353	Latch - Cassette.....	1
28	00-043354	Pivot Block - Adjust.....	1
29	00-043363	Shaft - Idler.....	1
30	00-131761	Ball Bearing - Double-Shielded Radial.....	1
31	00-043269	Washer.....	1
32	00-032974	Gear - Idler (Incls. Item 33).....	1
33	00-043365	Bushing.....	1
34	00-043360	Gear - Roller (Incls. Set Screw).....	1
35	SC-018-34	Mach. Screw 8-32 x 1/2 Phil. Pan Hd.....	1
36	00-047457	Plate - Cassette Locating (Lower).....	1
37	00-446820	Kit - Media Hall Sensor.....	1
38	00-044631	Insulator - Media Sensor Board.....	1
39	SD-015-40	Self-Tapping Screw 8-32 x 3/8 Phil. Pan Hd., Type TT.....	2
40	00-043270	Rail - Guide (LH).....	1
41	SD-015-40	Self-Tapping Screw 8-32 x 3/8 Phil. Pan Hd., Type TT.....	2
42	00-046479	Spring - Label Guide.....	1
43	SD-015-40	Self-Tapping Screw 8-32 x 3/8 Phil. Pan Hd., Type TT.....	1
44	00-047458	Bearing - Flange.....	1
45	00-032930	Spacer - Narrow Roller Bottom.....	1
46	00-047505	Roller - Print.....	1
47	00-032915	Spacer - Narrow Roller.....	1
48	00-047504	Support - Roller.....	1
49	00-047455	Standoff.....	1
50	00-032914	Standoff.....	2
51	00-043269	Washer.....	1
52	00-043365	Bushing.....	1
53	00-447770	Cassette Assy. - Narrow Label.....	1



**PRINTER ONLY
(ML-29360 & ML-29364)**

**PRINTER ONLY
(ML-29360 & ML-29364)**

ILLUS.	PART NO.	NAME OF PART	AMT.
PL-60500			
1	00-447137	Plug - Cover.....	1
2	SC-018-31	Mach. Screw 8-32 x 3/8 Phil. Pan Hd.....	1
3	00-445262-00005	Cover - Printer Top (Black).....	1
4	00-445215	Label - Printer.....	1
5	00-447052	Panel - Housing Filler.....	1
6	00-447111	Bracket Assy. - Cover.....	1
7	00-445270-00001	Cable Assy.....	1
8	00-443053	Clamp.....	1
9	SD-015-41	Self-Tapping Screw 8-32 x 1/2 Phil. Pan Hd., Type TT.....	1

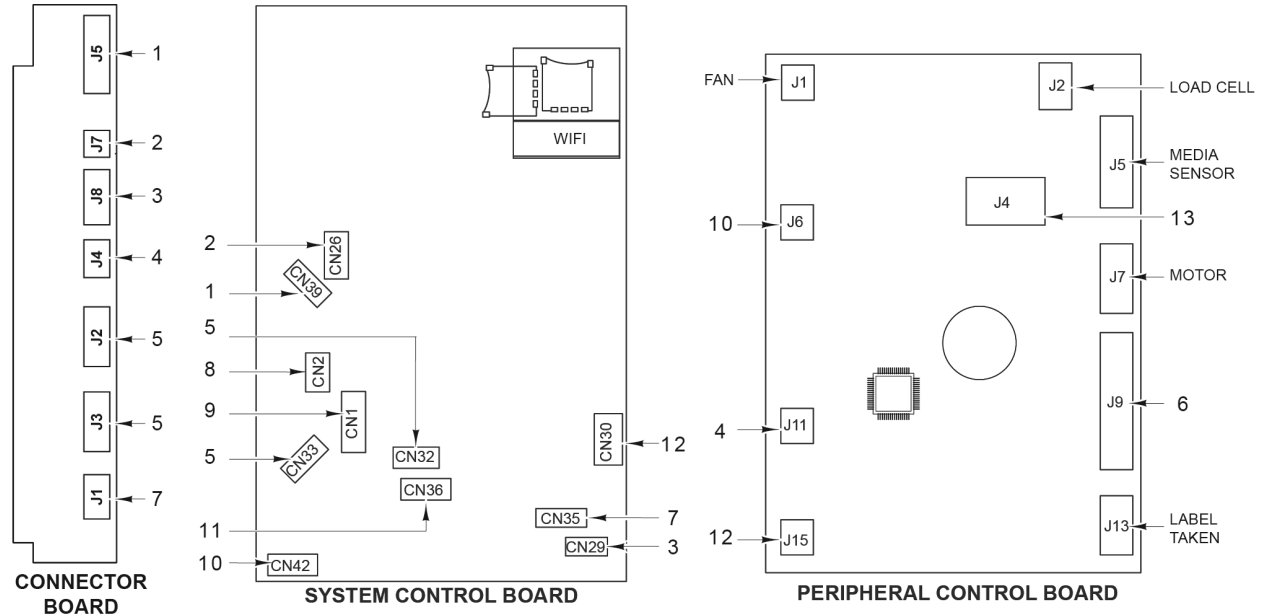


PL-60439

**ELEVATED DISPLAY
(7 IN.)**

**ELEVATED DISPLAY
(7 IN.)**

ILLUS. PL-60439	PART NO.	NAME OF PART	AMT.
1	00-447763	Housing Assy. (Front).....	1
2	00-447762	Display (Color).....	1
3	00-447122	Plate - Display Retainer.....	1
4	SC-018-30	Mach. Screw 8-32 x 1/4 Phil. Pan Hd.....	8
5	00-447162	Board Assy.....	1
6	SC-018-68	Mach. Screw 4-40 x 1/4 Phil. Pan Hd.....	2
7	00-447199	Cable Assy.....	1
8	00-447148	Block Assy. - Pivot.....	1
9	00-447126	Housing Assy. (Rear).....	1
10	00-447066	Cable - Flex Ribbon (Ferrite).....	1
11	SC-120-37	Cap Screw 6-32 x 3/8 Hex Socket Hd. (SST).....	4
12	00-447143	Pin - Dowel.....	1
13	SC-088-55	Set Screw 10-32 x 3/16 Hex Hdls., Half Dog Pt.....	2
14	00-447032	Cable Assy. (19 In.) (Located Inside Post).....	1
15	00-447192	Cable Assy. (30 In.) (Located Inside Scale).....	1
16	00-447710	Cap - Display Mount.....	1
17	00-447712	Collar.....	1
18	00-447714	Washer - Spring.....	2
19	00-447713	Washer - Thrust.....	1
20	00-447140	Tube - Display Mounting.....	1
21	00-447190	Board Assy. (Repeater).....	1
22	00-447686	Retainer (PCB).....	1
23	00-447132	Base - Elevated Display.....	1
24	WL-008-13	Lockwasher #10 Internal Shakeproof.....	2
25	SC-124-37	Cap Screw 10-24 x 1-3/8 Hex Socket Hd.....	2
26	00-447131	Plate - Cover.....	1
27	SC-020-23	Mach. Screw 10-24 x 3/8 Phil. Flat Hd.....	4
28	SD-015-40	Self-Tapping Screw 8-32 x 3/8 Phil. Pan Hd., Type TT.....	3
29	SD-015-40	Self-Tapping Screw 8-32 x 3/8 Phil. Pan Hd., Type TT.....	3



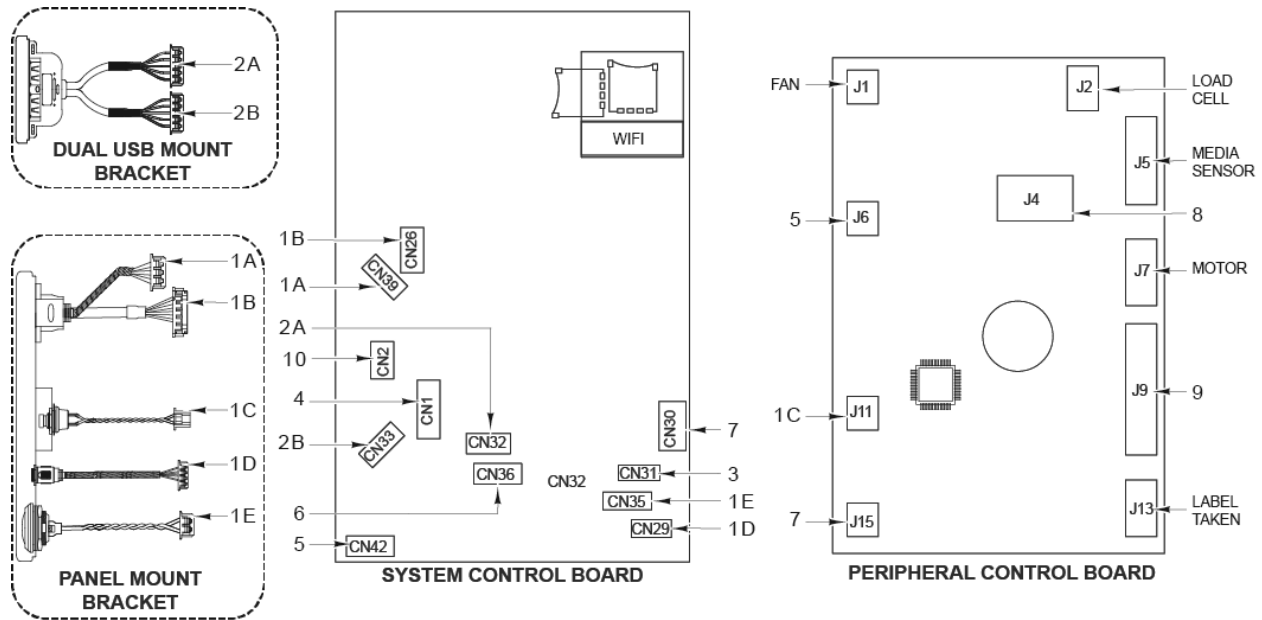
ITEM	CABLE PN	CONNECTOR BOARD CONNECTOR	SYS CNTR BOARD CONNECTOR	PERIPHERAL BOARD CONNECTOR	FUNCTION (COMPONENT)
1	00-447524	J5	CN39	NA	ETHERNET - DATA (CABLE)
2	00-447028	J7	CN26	NA	ETHERNET - LED (CABLE)
3	00-447029	J8	CN29	NA	AUDIO (CABLE)
4	00-447025	J4	NA	J11	SERVICE SWITCH (CABLE)
5	00-447024	J2	CN32	NA	USB - HUB (CABLE)
		J3	CN33	NA	USB - HUB (CABLE)
6	00-444846	NA	NA	J9	PRINthead DATA (CABLE)
7	00-447026	J1	CN35	NA	REBOOT / SHUTDOWN SWITCH (CABLE)
8	00-447032	NA	CN2	NA	CUSTOMER DISPLAY (CABLE)
9	00-447095	NA	CN1	NA	OPERATOR DISPLAY (CABLE)
10	00-447023	NA	CN42	J6	24 VDC POWER (CABLE)
11	00-447167	NA	CN36	NA	TOUCHSCREEN (CABLE)
12	00-447544	NA	CN30	J15	USB - HOST (CABLE)
13	00-444769	NA	NA	J4	DC POWER (CABLE)

PL-65168

**CABLES - CONNECTOR BOARD
(SYSTEM CONTROL / PERIPHERAL BOARD)**

**CABLES - CONNECTOR BOARD
(SYSTEM CONTROL / PERIPHERAL BOARD)**

ILLUS. PL-65168	PART NO.	NAME OF PART	AMT.
1	00-447524	Cable Assy. - Ethernet Data.....	1
2	00-447028	Cable Assy. - Ethernet LED.....	1
3	00-447029	Cable Assy. - Audio.....	1
4	00-447025	Cable Assy. - Service Switch.....	1
5	00-447024	Cable Assy. - USB Hub.....	2
6	00-444846	Cable Assy. - Printhead Data.....	1
7	00-447026	Cable Assy. - Reboot Switch.....	1
8	00-447032	Cable Assy. - Customer Display (Elevated).....	1
9	00-447095	Cable Assy. - Operator Display.....	1
10	00-447023	Cable Assy. - 24 VDC Power.....	1
11	00-447167	Cable Assy. - Touchscreen.....	1
12	00-447544	Cable Assy. - USB (Host).....	1
13	00-444769	Cable Assy. - DC Power.....	1



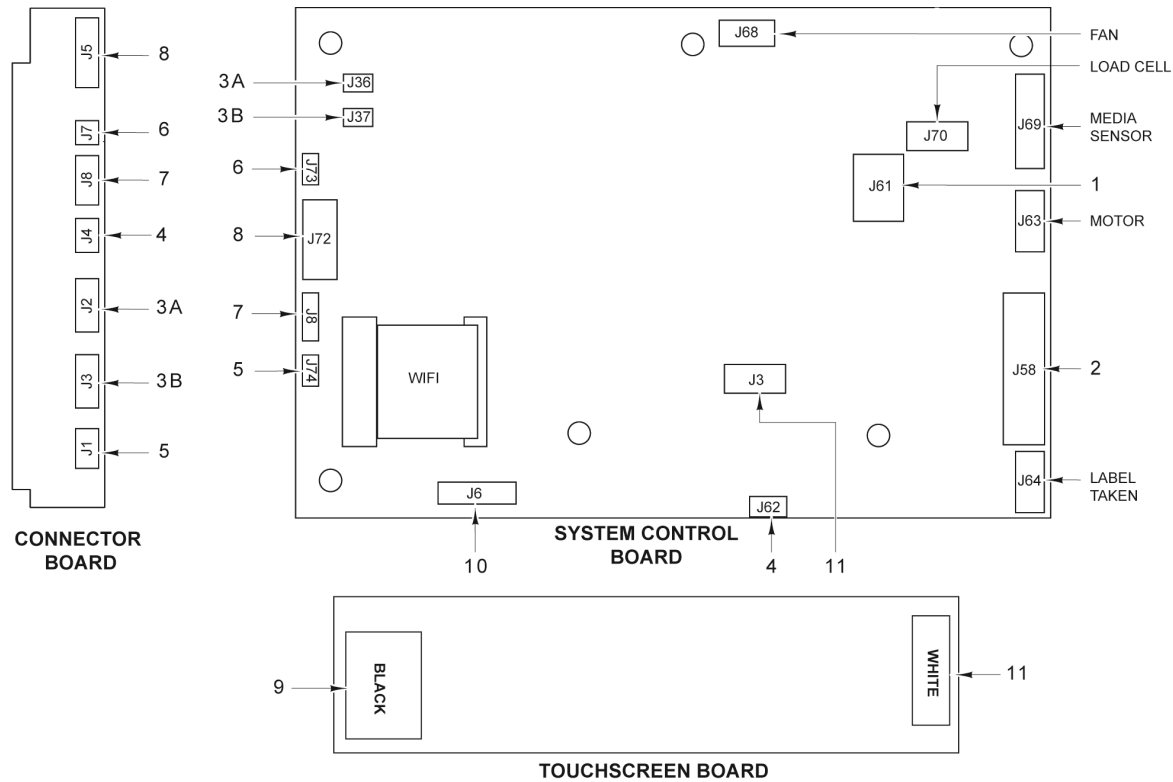
ITEM	CABLE PN	SYS CNTRL BOARD CONNECTOR	PERIPHERAL BOARD CONNECTOR	FUNCTION (COMPONENT)
1A	00-448030	CN39	NA	ETHERNET - DATA (PANEL MOUNT BRACKET CABLE)
1B		CN26	NA	ETHERNET - LED (PANEL MOUNT BRACKET CABLE)
1C		NA	J11	SERVICE SWITCH (PANEL MOUNT BRACKET CABLE)
1D		CN29	NA	AUDIO (PANEL MOUNT BRACKET)
1E		CN35	NA	REBOOT / SHUTDOWN SWITCH (PANEL MOUNT BRACKET CABLE)
2A	00-448056	CN33	NA	USB (DUAL USB MOUNTING BRACKET CABLE)
2B		CN32	NA	USB (DUAL USB MOUNTING BRACKET CABLE)
3	00-448195	CN31	NA	USB - SCANNER (CABLE)
4	00-448199	CN1	NA	OPERATOR DISPLAY (CABLE)
5	00-447023	CN42	J6	24 VDC POWER (CABLE)
6	00-448198	CN36	NA	TOUCHSCREEN (CABLE)
7	00-447544	CN30	J15	USB - HOST (CABLE)
8	00-444769	NA	J4	DC POWER (CABLE)
9	00-444846	NA	J9	PRINTEHAD DATA (CABLE)
10	00-447032	CN2	NA	CUSTOMER DISPLAY (CABLE)

PL-65166

**CABLES - PANEL MOUNT
(SYSTEM CONTROL / PERIPHERAL BOARD)**

**CABLES - PANEL MOUNT
(SYSTEM CONTROL / PERIPHERAL BOARD)**

ILLUS.	PART NO.	NAME OF PART	AMT.
PL-65166			
1	00-448030	Bracket Assy. (Panel Mount).....	1
2	00-448056	Bracket Assy. (USB Panel Mount).....	1
3	00-448195	Cable Assy. - USB (Scanner).....	1
4	00-448199	Cable Assy. - Operator Display.....	1
5	00-447023	Cable Assy. - 24 VDC Power.....	1
6	00-448198	Cable Assy. - Touchscreen.....	1
7	00-447544	Cable Assy. - USB (Host).....	1
8	00-444769	Cable Assy. - DC Power.....	1
9	00-444846	Cable Assy. - Printhead Data.....	1



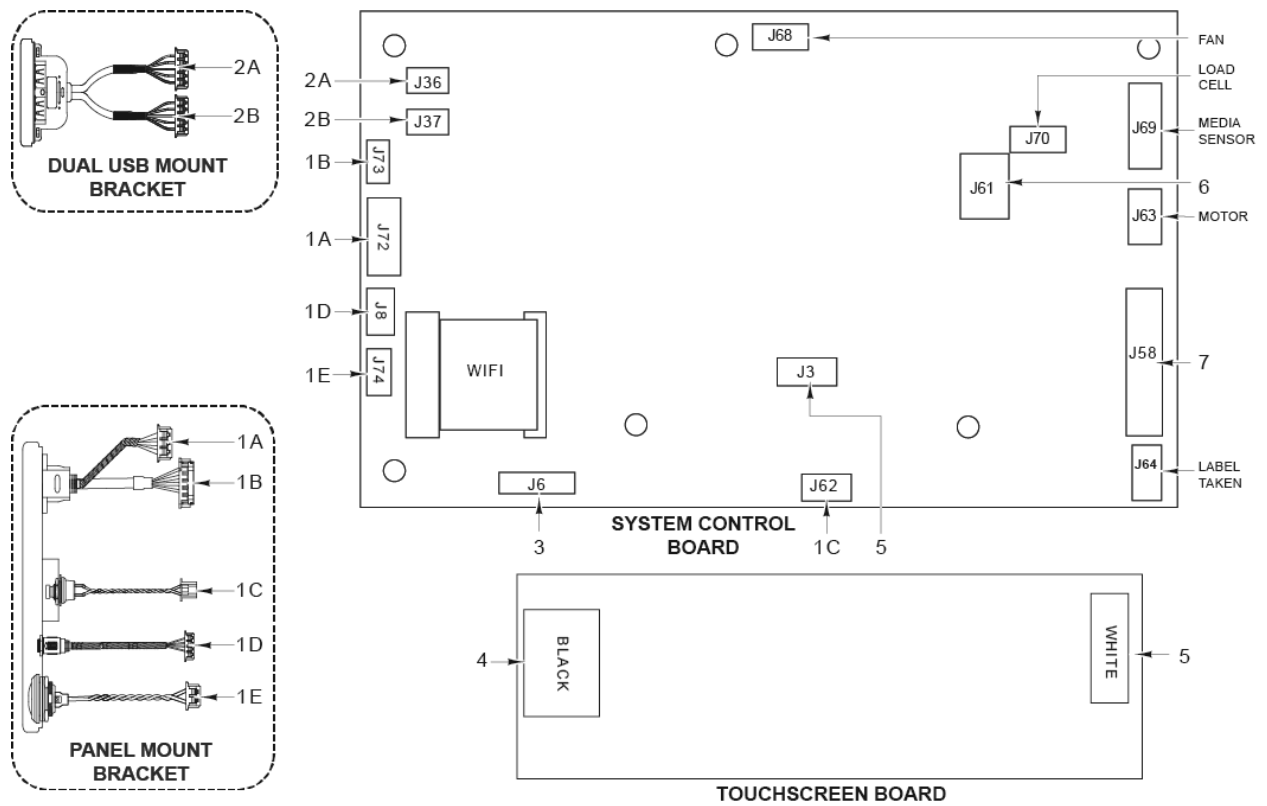
ITEM	CABLE PN	CONNECTOR BOARD CONNECTOR	SYS CNTR BOARD CONNECTOR	TOUCH SCREEN BOARD CONNECTOR	FUNCTION (COMPONENT)
1	00-444769	NA	J61	NA	DC POWER (CABLE)
2	00-444846	NA	J58	NA	PRINthead DATA (CABLE)
3A	00-447024	J2	J36	NA	USB (CABLE)
3B		J3	J37	NA	USB (CABLE)
4	00-447025	J4	J62	NA	SERVICE SWITCH (CABLE)
5	00-447026	J1	J74	NA	REBOOT / SHUTDOWN SWITCH (CABLE)
6	00-447028	J7	J73	NA	ETHERNET - LED (CABLE)
7	00-447029	J8	J8	NA	AUDIO (CABLE)
8	00-447524	J5	J72	NA	ETHERNET - DATA (CABLE)
9	00-448198	NA	NA	BLACK	TOUCHSCREEN (CABLE)
10	00-448199	NA	J6	NA	OPERATOR DISPLAY (CABLE)
11	00-449483	NA	J3	WHITE	TOUCHSCREEN (CABLE)

PL-65167

**CABLES - CONNECTOR BOARD
(ARA SYSTEM CONTROL BOARD)**

**CABLES - CONNECTOR BOARD
(ARA SYSTEM CONTROL BOARD)**

ILLUS.	PART NO.	NAME OF PART	AMT.
	PL-PL-65167		
1	00-444769	Cable Assy. - DC Power.....	1
2	00-444846	Cable Assy. - Printhead Data.....	1
3	00-447024	Cable Assy. - USB.....	2
4	00-447025	Cable Assy. - Service.....	1
5	00-447026	Cable Assy. - Reboot / Shutdown.....	1
6	00-447028	Cable Assy. - Ethernet LED.....	1
7	00-447029	Cable Assy. - Audio.....	1
8	00-447524	Cable Assy. - Ethernet Data.....	1
9	00-448198	Cable Assy. - Touchscreen.....	1
10	00-448199	Cable Assy. - Operator Display.....	1
11	00-449483	Cable Assy. - USB Touchscreen.....	1



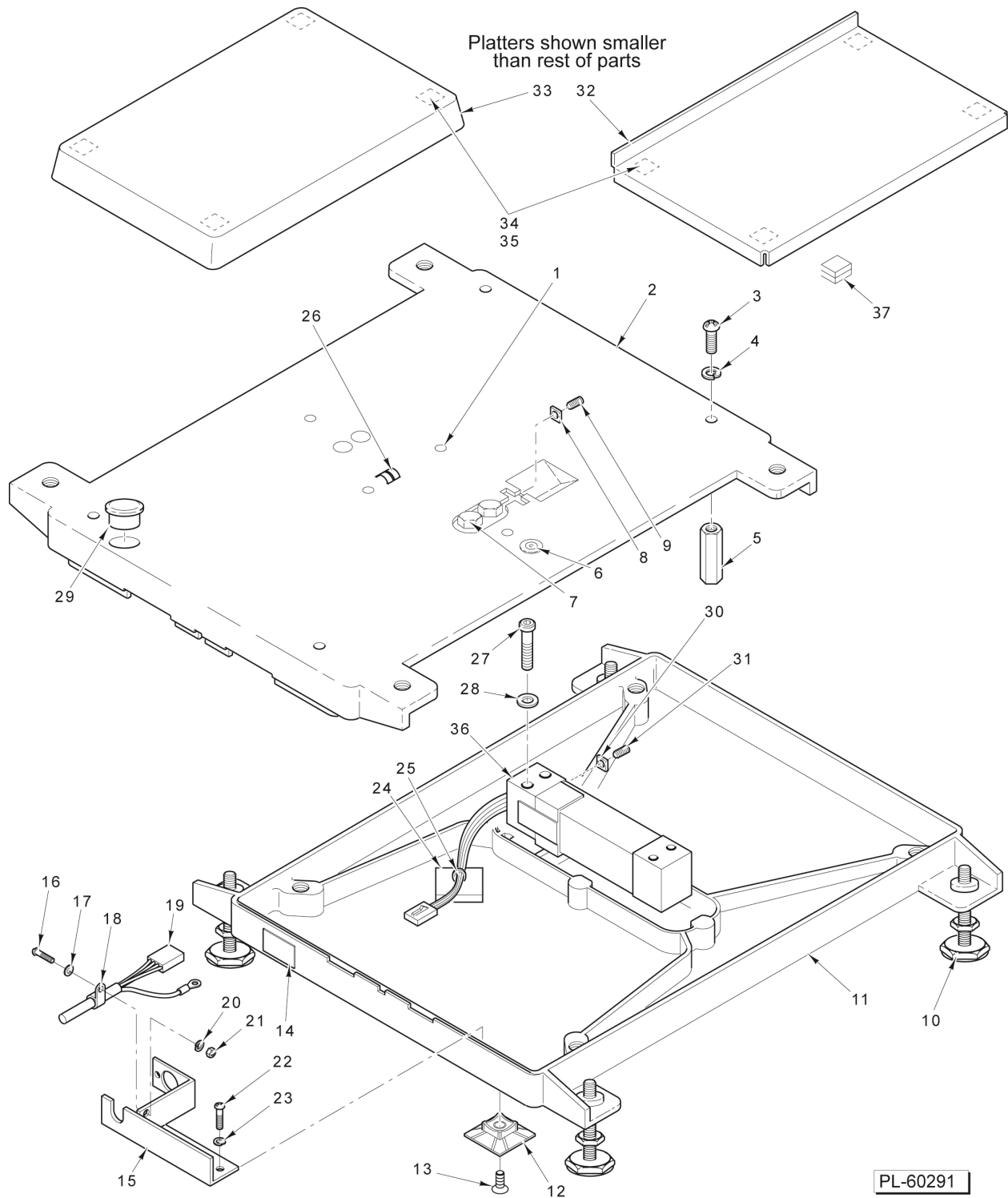
ITEM	CABLE PN	SYS CNTR BOARD CONNECTOR	TOUCH SCREEN BOARD CONNECTOR	FUNCTION (COMPONENT)
1A	00-448030	J72	NA	ETHERNET - DATA (PANEL BRACKET MOUNT CABLE)
1B		J73		ETHERNET - LED (PANEL BRACKET MOUNT CABLE)
1C		J62		SERVICE SWITCH (PANEL MOUNT BRACKET CABLE)
1D		J8		AUDIO (PANEL MOUNT BRACKET)
1E		J74		REBOOT / SHUTDOWN SWITCH (PANEL MOUNT BRACKET CABLE)
2A	00-448056	J36	NA	USB (DUAL USB MOUNTING BRACKET)
2B		J37		USB (DUAL USB MOUNTING BRACKET)
3	00-448199	J6	NA	OPERATOR DISPLAY (CABLE)
4	00-448198	NA	BLACK	TOUCHSCREEN (CABLE)
5	00-449483	J3	WHITE	TOUCHSCREEN (CABLE)
6	00-444769	J61	NA	DC POWER (CABLE)
7	00-444846	J58	NA	PRINthead DATA (CABLE)

PL-65163

**CABLES - PANEL MOUNT
(ARA SYSTEM CONTROL BOARD)**

**CABLES - PANEL MOUNT
(ARA SYSTEM CONTROL BOARD)**

ILLUS.	PART NO.	NAME OF PART	AMT.
1	00-448030	Bracket Assy. (Panel Mount).....	1
2	00-448056	Bracket Assy. (USB Panel Mount).....	1
3	00-448199	Cable Assy. - Operator Display.....	1
4	00-448198	Cable Assy. - Touchscreen.....	1
5	00-449483	Cable Assy. - USB Touchscreen.....	1
6	00-444769	Cable Assy. - DC Power.....	1
7	00-444846	Cable Assy. - Printhead Data.....	1



**SCALE UNIT
(USED WITH TWO-PIECE SCALE/PRINTER)**

**SCALE UNIT
(USED WITH TWO-PIECE SCALE/PRINTER)**

ILLUS. PL-60291	PART NO.	NAME OF PART	AMT.
1	SC-123-20	Set Screw 10-32 x 3/8 Hex Hdls., Socket Hd.....	2
2	00-041559	Support - Platter.....	1
3	SC-113-08	Mach. Screw 10-32 x 1/2 Phil. Pan Hd.....	4
4	WL-004-40	Lockwasher 10 Helical.....	4
5	00-441780	Stop - Loadcell.....	4
6	00-013931	Level - Spirit.....	1
7	SC-110-12	Cap Screw 1/4-20 x 5/8 Hex Hd.....	2
8	NS-046-58	Nut 10-32 Square.....	1
9	SC-123-20	Set Screw 10-32 x 3/8 Hex Hdls., Socket Hd.....	1
10	00-093160	Foot - Leveling Screw.....	4
11	00-042604	Base Assy.....	1
12	00-446051	Holder - Tie-Down.....	1
13	SC-022-07	Mach. Screw 8-32 x 1/2 Slotted Flat Hd. (SST).....	1
14	00-184534	Label - Capacity.....	1
15	00-441657	Clamp - Cable.....	1
16	SC-018-31	Mach. Screw 8-32 x 3/8 Phil. Pan Hd.....	1
17	WS-019-41	Washer (SST).....	1
18	00-253363	Clamp.....	1
19	00-183634	Cable - Scale.....	1
20	WL-003-12	Lockwasher #8 Helical.....	1
21	NS-009-12	Nut 8-32 Hex.....	1
22	SC-018-31	Mach. Screw 8-32 x 3/8 Phil. Pan Hd.....	2
23	WL-003-12	Lockwasher #8 Helical.....	2
24	00-255503	Mount - Cable Tie.....	1
25	00-251199	Tie - Cable (4 In. Long).....	1
26	00-184929	Contact - Compression Spring (Qty. of 8).....	AR
27	SC-120-70	Cap Screw 1/4-20 x 1-5/8 Hex Socket Hd.....	2
28	WL-003-39	Lockwasher 1/4 Light.....	2
29	00-041562	Plug - Transparent (1/2).....	1
30	NS-046-58	Nut 10-32 Square.....	1
31	SC-123-20	Set Screw 10-32 x 3/8 Hex Hdls., Socket Hd.....	1
32	00-043813	Platter (Incls. Items 34 & 35).....	1
33	00-043812	Platter (Incls. Items 34 & 35).....	1
34	00-258959	Fastener - Dual Lock.....	4
35	00-258958	Fastener - Dual Lock.....	4
36	00-443075	Load Cell - Multiple Range (15 kg) (ML-29256).....	1
37	00-259185	Pad - Platter.....	4

