



Project \_\_\_\_\_  
 AIA # \_\_\_\_\_ SIS # \_\_\_\_\_  
 Item # \_\_\_\_\_ Quantity \_\_\_\_\_ C.S.I. Section 114000



## AM16VL-BAS BASE ELECTRIC High Temperature Ventless Door-Style Dishwashing Machine



### STANDARD FEATURES

- + .67 gallons per rack pumped final rinse
- + 45 racks per hour – hot water sanitizing
- + Two stage filtration
- + Pillarless opening
- + 5-sided insulated hood
- + User-friendly smart touchscreen controls
- + Single point electrical connection standard, field convertible to dual point connection
- + 3 phase standard, field convertible to single phase
- + WiFi connectivity
- + SmartConnect app and cloud with machine status, temperature logs, error code reporting, and cost, consumption and usage analysis
- + Temperature and chemical lock outs with Hobart equipped chemical pumps
- + Pumped drain
- + Ventless operation & energy recovery
- + Door lock
- + Timed wash cycles for 1, 2, 4 or 6 minutes
- + NSF pot and pan rating for 2-, 4- & 6- minute cycles
- + Sense-A-Temp™ 70°F rise electric booster heater
- + Self-draining, high efficiency wash pump with stainless steel impeller
- + 17" door opening
- + Stainless steel drawn tank, tank shelf, chamber, trim panels, frame and feet
- + Spring counterbalanced chamber with reinforced, thermo-plastic rollers
- + X- shaped revolving, interchangeable upper and lower anticlogging wash arms
- + Revolving, interchangeable upper and lower rinse arms
- + Slanted, self-locating, one-piece scrap screen and basket system
- + Automatic fill
- + Door actuated start
- + AutoClean
- + Factory startup
- + Service diagnostics
- + Straight-through or corner installation
- + Delime cycle with notification (field activated)

### SPECIFIER STATEMENT

Specified unit will be a Hobart AM16 Base electric high temperature ventless dishwashing machine. Features include 5-sided insulated hood, ventless operation & energy recovery, door lock, touchscreen controls with WiFi connectivity, NSF pot and pan rating for 2-, 4- & 6-minute cycles, 17" door opening, pumped drain, auto door start with auto fill, interchangeable stainless steel rinse arms and X-shaped wash arms, delime cycle, advanced diagnostics and service connection, up to 45 racks per hour, .67 U.S. gallons per rack pumped final rinse.

**1 year parts and labor warranty.**

### OPTIONS & ACCESSORIES (Available at extra cost)

- Peg rack
- Combination rack
- Chemical pumps
- Drain water tempering kit
- Splash shield for corner installations
- Flanged and seismic feet
- Water hammer arrestor kit
- Rapid fill kit
- Sink integration kit
  - Sink saddle & 3" leg extension
  - Sink rail kit
  - Fold down table

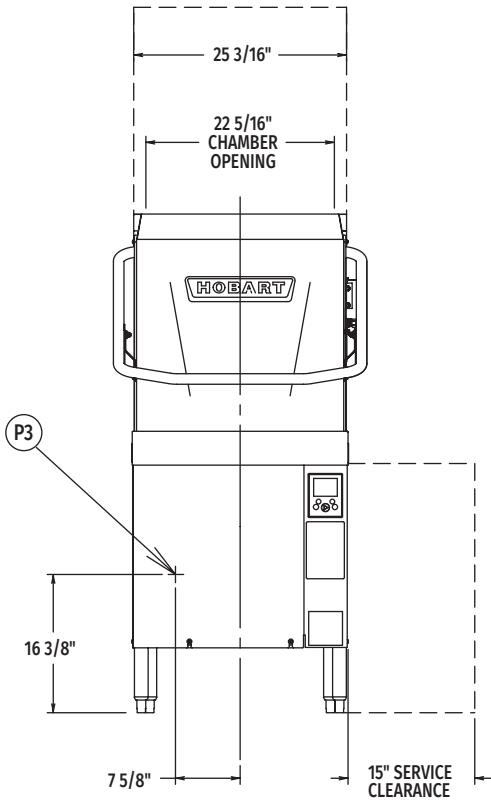
AM16 SERIES – AM16VL-BAS BASE ELECTRIC VENTLESS

Approved by \_\_\_\_\_ Date \_\_\_\_\_ Approved by \_\_\_\_\_ Date \_\_\_\_\_

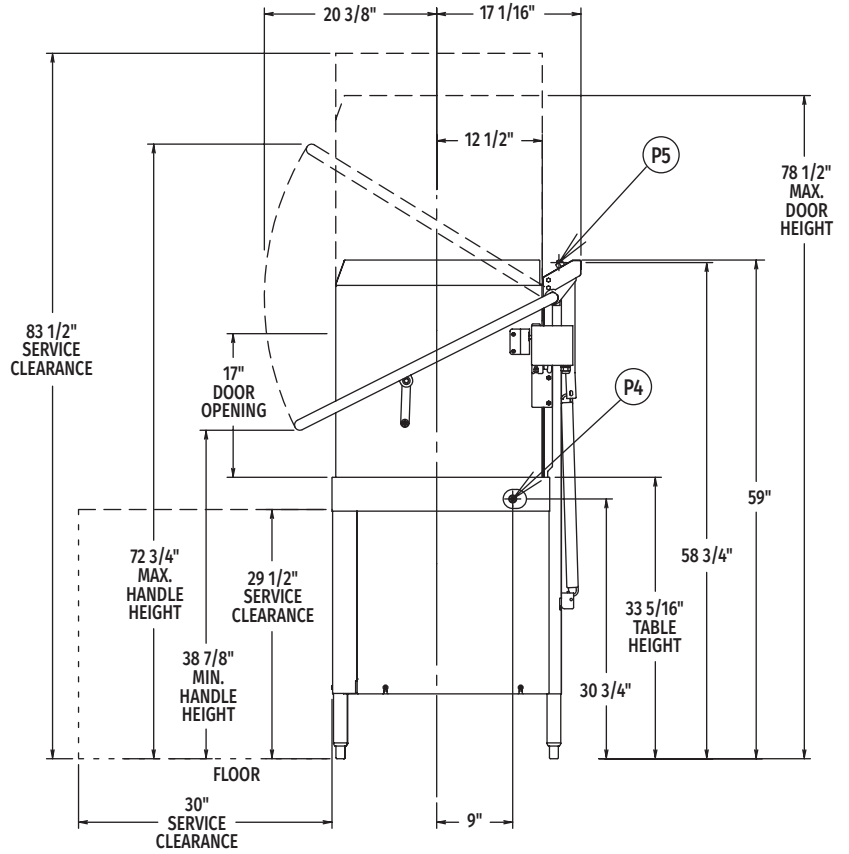


# AM16VL-BAS BASE ELECTRIC

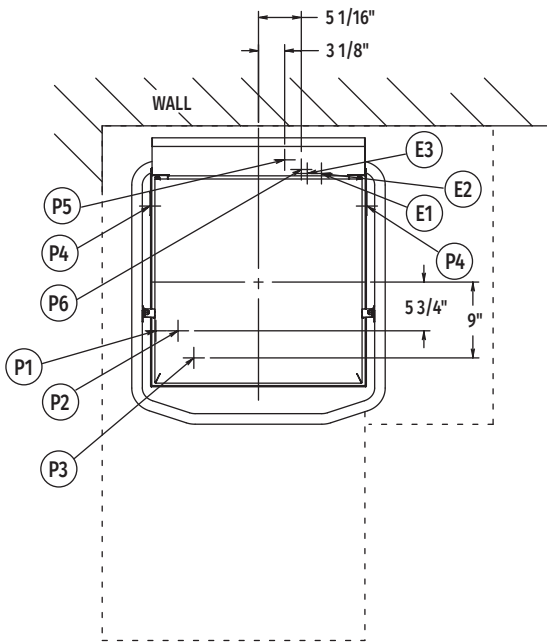
High Temperature Ventless  
Door-Style Dishwashing Machine



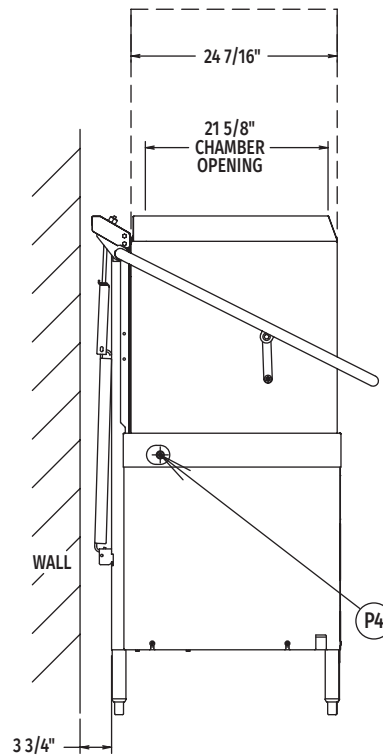
Front View



Right Side View



Top View



Left Side View

MODEL:  
AM16VL-BAS  
E-950440

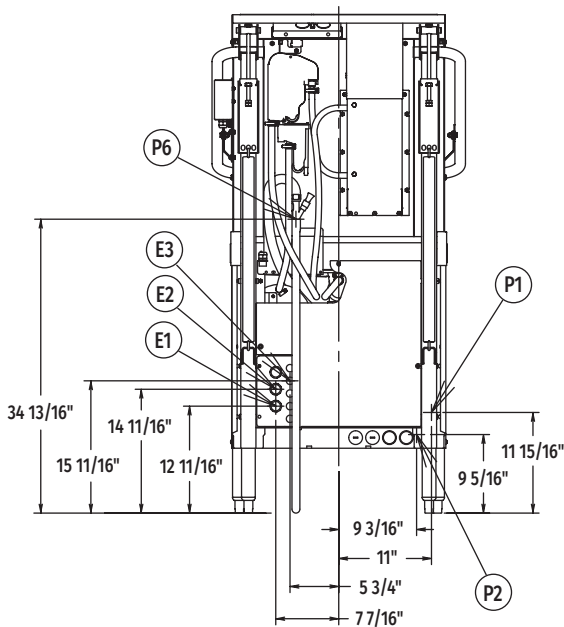


# AM16VL-BAS BASE ELECTRIC

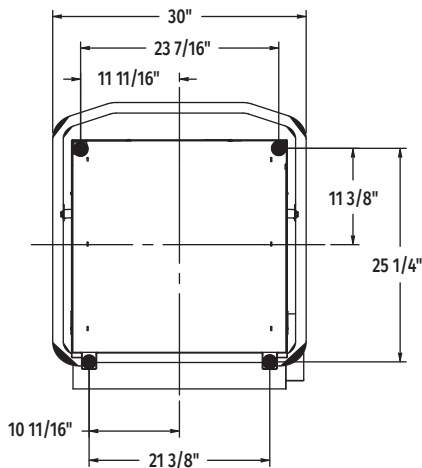
## High Temperature Ventless Door-Style Dishwashing Machine

**WARNING:** Electrical and grounding connections must comply with the applicable portion of the National Electrical Code and/or other local electrical codes.

Plumbing connections must comply with applicable sanitary, safety, and plumbing codes.



Rear View



Bottom View

### LEGEND

| Electrical Connections |   |
|------------------------|---|
| E1                     | Electrical connection: wash pump motor & sump heater, 1" or 3/4" conduit hole; 12-11/16" AFF.   |
| E2                     | Electrical connection: electric booster & controls only or single point electrical connection (3PH only), 1" or 3/4" conduit hole; 14-11/16" AFF.   |
| E3                     | Electrical connection: detergent & rinse agent feeders, (DPS1 & DPS2) 1.5 amps @ nameplate supply voltage, (RPS1 & RPS2) 1.5 amps @ nameplate supply voltage; 1/2" conduit hole, 15-11/16" AFF. |
| Plumbing Connections   |   |
| P1                     | Common water connection including booster heater: 55°F water minimum, 15-65 PSI recommended; 3/4" female garden hose fitting on 6' long hose supplied with machine; 11-15/16" AFF.              |
| P2                     | Optional – hot water connection: 110°F water minimum (rapid fill accessory - when ordered); 3/4" female garden hose fitting on 6' long hose; 9-5/16" AFF.                                       |
| P3                     | Detergent probe sensor: remove cap and stud assembly to access 7/8" hole; 16-3/8" AFF.  |
| P4                     | Detergent feeder: two locations available, remove cap and stud assembly to access 7/8" hole; 30-3/4" AFF.   |
| P5                     | Rinse agent feeder: remove 1/8" NPT pipe plug to access 1/8" NPT tapped hole; 67-5/8" AFF.  |
| P6                     | Drain connection: 5/8" barb fitting with 6' long hose supplied with machine; 34-13/16" AFF. Maximum height 40" AFF.   |

### SPECIFICATIONS

#### Capacities

|  |       |
|--|-------|
| Racks Per Hour (maximum)               | 45    |
| Dishes per Hour (average 25 per rack)  | 1,125 |
| Glasses per Hour (average 45 per rack) | 2,025 |
| Wash Tank (U.S. gallons)               | 10.5  |

#### Motor Horsepower

|            |      |
|------------|------|
| Rinse Pump | 0.18 |
| Wash Pump  | 2    |
| Blower     | 0.05 |
| Drain Pump | 0.21 |

#### Rinse

|  |       |
|--|-------|
| Gallons per Rack                       | 0.67  |
| Gallons per Hour (maximum consumption) | 30.15 |

#### Peak Rate of Drain Flow

|  |      |
|--|------|
| Gallons per Minute (initial rate with full tank) | 18.5 |
|--|------|

#### Heating

|                            |     |
|----------------------------|-----|
| Electric Booster (kW)      | 7.1 |
| Electric Heating Unit (kW) | 5.4 |

Shipping Weight (approximate) . . . . . 322 lbs.

Crated Dimensions . . . . . 65.125"H x 36.5"W x 36.5"L



# AM16VL-BAS BASE ELECTRIC

## High Temperature Ventless Door-Style Dishwashing Machine

| E1 AM16 with Electric Heat<br>(When Field Converted to Dual Point) |            |                                 |                           |
|--|------------|---------------------------------|---------------------------|
| Voltage  | Rated Amps | Minimum Supply Circuit Ampacity | Maximum Protective Device |
| 208-240/60/1   | 39.6       | 50                              | 50                        |
| 208-240/60/3   | 26.9       | 30                              | 30                        |
| 480/60/3   | 10.5       | 15                              | 15                        |

| E2 9.5 kW Booster & Controls Ampacity Ratings<br>(When Field Converted to Dual Point) |            |                                 |                           |
|---|------------|---------------------------------|---------------------------|
| Voltage   | Rated Amps | Minimum Supply Circuit Ampacity | Maximum Protective Device |
| 208-240/60/1  | 43.3       | 50                              | 50                        |
| 208-240/60/3  | 26.6       | 30                              | 30                        |
| 480/60/3  | 13.4       | 15                              | 15                        |

| E2 AM16 Single Point Electrical<br>Service Connection as Shown Below |            |                                 |                           |
|--|------------|---------------------------------|---------------------------|
| Voltage  | Rated Amps | Minimum Supply Circuit Ampacity | Maximum Protective Device |
| 208-240/60/3   | 53.5       | 60                              | 60                        |
| 480/60/3   | 24.0       | 30                              | 30                        |

| Approximate Heat Gain to Space<br>without Vent Hood |         |
|---|---------|
| Type  | BTU/Hr. |
| Latent  | 4,300   |
| Sensible  | 3,500   |

**Miscellaneous Notes:** All dimensions taken from floor line may increase 7/8" or decrease 3/8" depending on leg adjustment.

Vent hood (if required) to provide a minimum of 450 CFM exhaust (ref installation instructions).

Net weight of machine including booster: 305 lbs.

Domestic shipping weight including booster: 325 lbs.

Size of racks – 19<sup>3</sup>/<sub>4</sub>" x 19<sup>3</sup>/<sub>4</sub>".

**Plumbing Notes:** Water hammer arrestor (meeting ASSE-1010 standard or equivalent) to be supplied (by others) in common water supply line at service connection.

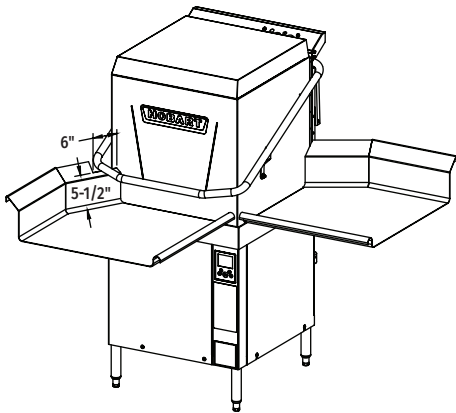
Recommended water hardness to be 3 grains or less for best results.

Recommended building flowing water pressure to the dishwasher at or above 20 PSI. Pressures lower than 20 PSI may affect machine fill/start-up times.

This is a pumped rinse machine. Pressure regulating valve is not necessary.

For convenience when cleaning, water tap should be installed near machine with heavy duty hose and squeeze valve.

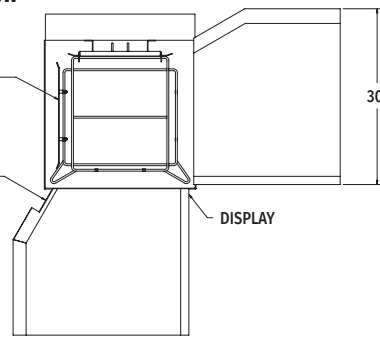
### AM16VL-BAS TABLING CONFIGURATIONS AND TRACK DESIGN



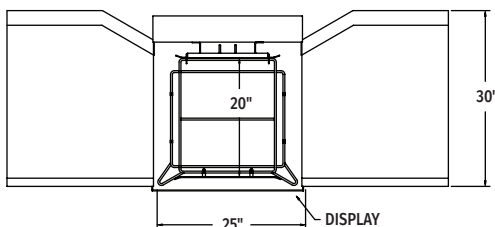
Top Inside View of Machine

NOTE: REPOSITION RACK TRACK BRACKET FOR CORNER INSTALLED UNITS

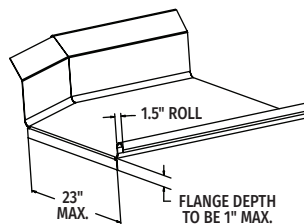
NOTCH FOR HANDLE CLEARANCE: 6" WIDE x 5 1/2" TALL MEASURED FROM TABLE SURFACE



Standard Height Corner Installation

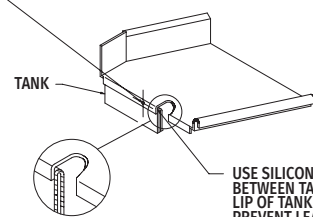


Pass Thru Installation



Suggested Table Design

- DRILL Ø 0.344 HOLE THRU TANK WALL
- 5/16-18 SST TRUSS HD SCREW
- 5/16-18 SST LOCKWASHER
- 5/16-18 SST HEX HD NUT



USE SILICONE SEALER BETWEEN TABLE AND LIP OF TANK TO PREVENT LEAKAGE

As continued product improvement is a policy of Hobart, specifications are subject to change without notice.