



# CATALOG OF REPLACEMENT PARTS

## MODELS 8186 & 84186 FOOD CUTTERS

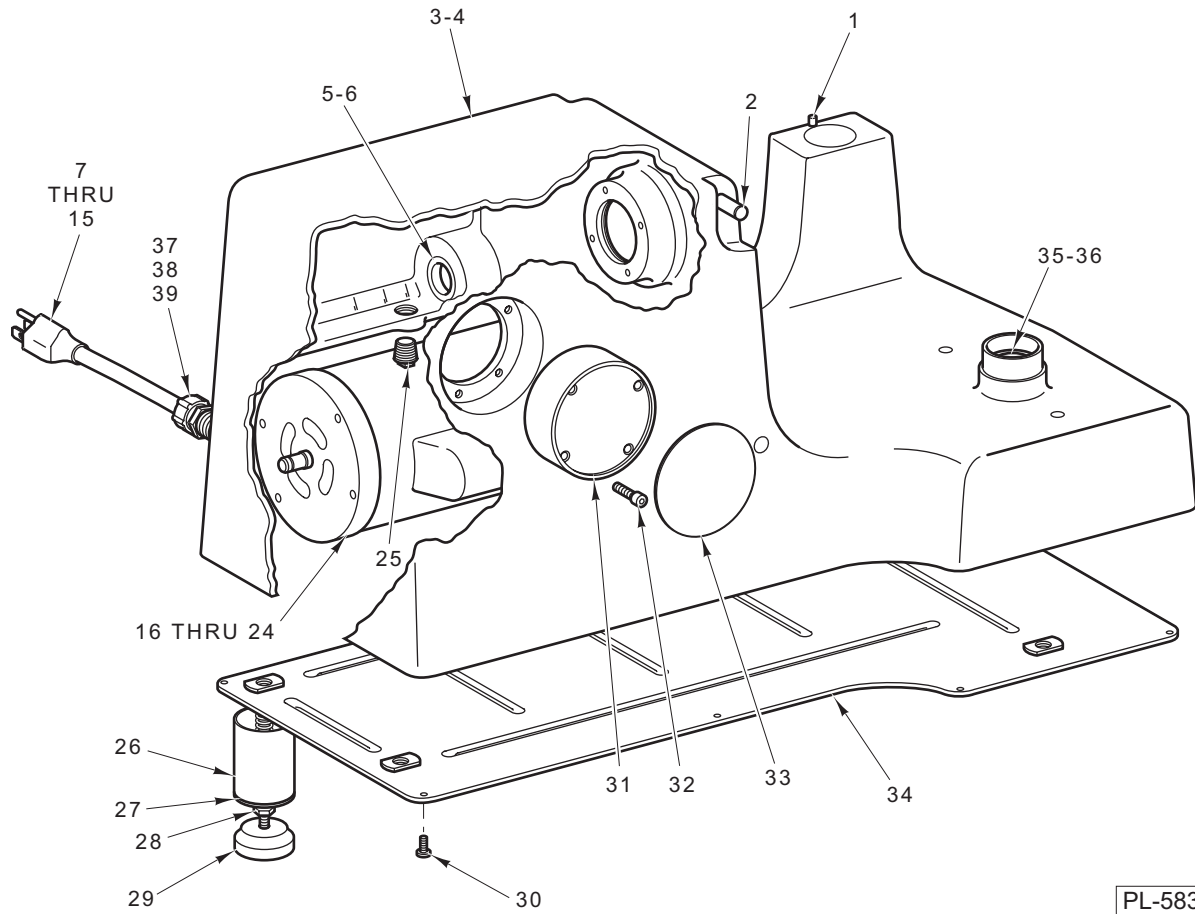
ML-33892	8186
ML-33764	84186
ML-38752	84186

PRIOR MLS COVERED IN THIS MANUAL  
ML-38753      8186



**TABLE OF CONTENTS**

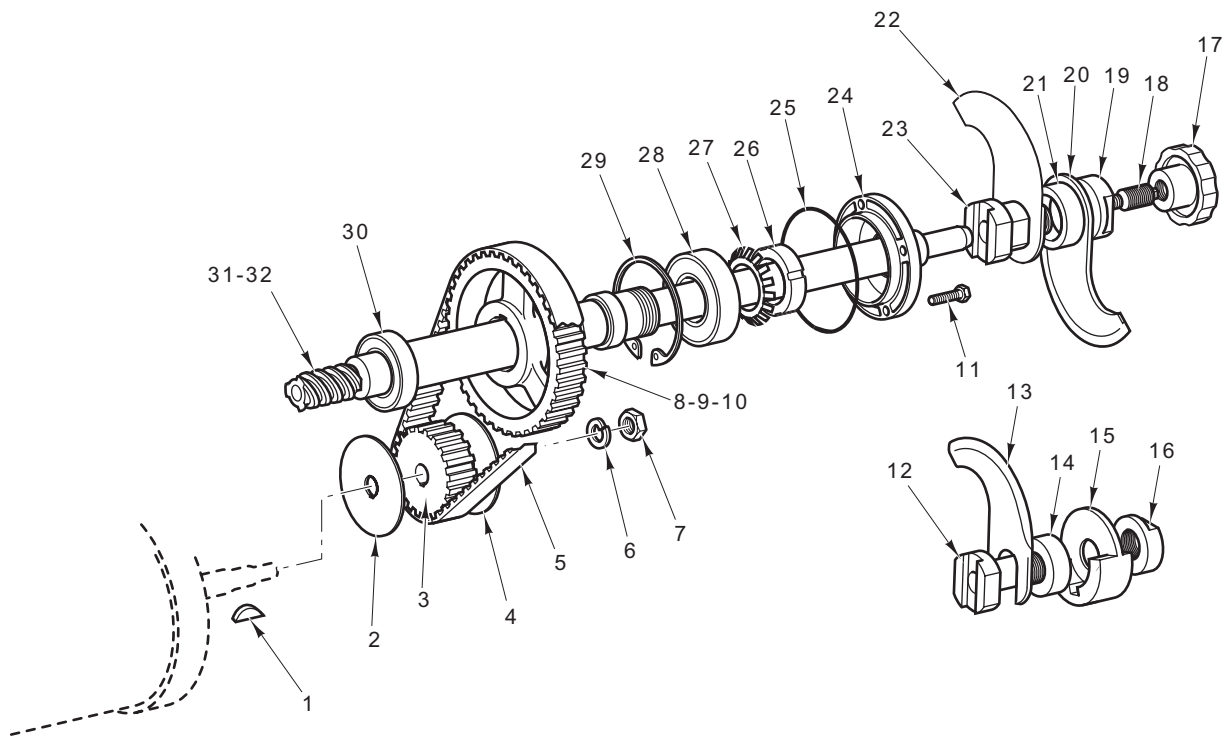
5	BASE UNIT
7	KNIFE DRIVE UNIT
9	BOWL AND BOWL DRIVE UNIT
11	SWITCH UNIT
12	ATTACHMENT DRIVE UNIT



**BASE UNIT**

**BASE UNIT**

ILLUS. PL-58348	PART NO.	NAME OF PART	AMT.
1	00-011800-00242	Dowel.....	1
2	00-116644-00002	Pin – Bowl Cover Hinge.....	1
3	00-291766	Base Assy. (84186).....	1
4	00-291766-00002	Base Assy. (8186).....	1
5	00-291701	Insert – Rear Bearing.....	1
6	00-291692	Seal – Knife Shaft (84186).....	1
7	00-117542-00021	Cord & Plug (115 V., 60 Hz., 1 Ph.).....	1
8	00-117542-00022	Cord & Plug (230 V., 60 Hz., 1 Ph.).....	1
9	00-117613-00006	Cord & Plug ( 200 V., 50/60 Hz., 3 Ph.).....	1
10	00-117542-00018	Cord & Plug (220/240 V., 60 Hz., 1 Ph.).....	1
11	00-122292-00003	Cord & Plug (208 V., 60 Hz., 3 Ph.).....	1
12	00-117612-00007	Cord & Plug (460 V., 60 Hz., 3 Ph.).....	1
13	00-117613-00024	Cord Assy. (I.E.C.) (380 V., 50 HZ., 3 Ph.).....	1
14	SD-024-01	Self-Tapping Screw 10-24 x 3/8 Pan Hd., Type TT (Ground).....	1
15	WL-008-13	Lockwasher #10 Internal Shakeproof.....	1
*16	-	Hobart Built Motor Assy.....	1
17	00-293922-00001	Motor (115-230 V., 60 Hz., 1 Ph.).....	1
18	00-293922-00002	Motor (220/240 V., 50 Hz., 1 Ph.).....	1
19	00-293923	Motor (208/200/460 V., 60 Hz., 3 Ph.) & (200/380/415 V., 50 Hz., 3 Ph.).....	1
20	SC-041-16	Cap Screw 5/16-18 x 1 3/8 Hex Hd. (SST).....	2
21	WS-005-32	Washer.....	2
22	00-291284	Washer – Toothed.....	4
23	WL-003-44	Lockwasher 5/16 Medium.....	4
24	NS-013-14	Nut 5/16-18 Hex.....	4
25	FP-028-18	Plug – Pipe 3/4 (84186).....	1
26	00-077772-00002	Leg.....	4
27	00-064814	Cap – Leg End.....	4
28	00-290061-00003	Stud – Leg.....	4
29	00-083681	Foot – Rubber.....	4
30	SD-024-44	Self-Tapping Screw 10-24 x 1/2 Phil., Pan Hd., Type TT.....	10
31	00-292032-00001	Plug – Attachment Hub (8186).....	1
32	SC-089-04	Cap Screw 1/4-20 x 1 Hex Hd. (8186).....	4
33	00-292068	Disc – Trim (8186).....	1
34	00-291684	Cover – Bottom Assy.....	1
35	RR-007-07	Ring – Retaining.....	2
36	BB-005-34	Bearing – Ball (Hoover #NSK6204DDUCE1VS3).....	2
37	FE-008-20	Connector – Strain Relief (1 Ph.).....	1
38	FE-008-21	Connector – Strain Relief (3 Ph., Domestic).....	1
39	FE-015-38	Connector – Strain Relief (3 Ph., Export).....	1
	00-290574	Kit – Leg (Incls. Items 26 thru 29).....	1
		*Hobart Built Motor Assy. Discontinued. To replace, order:	
		00-270431-00001 (60 Hz., 1 Ph.)	
		00-270431-00002 (50 Hz., 1 Ph.)	
		00-270431-00003 (3 Ph.)	



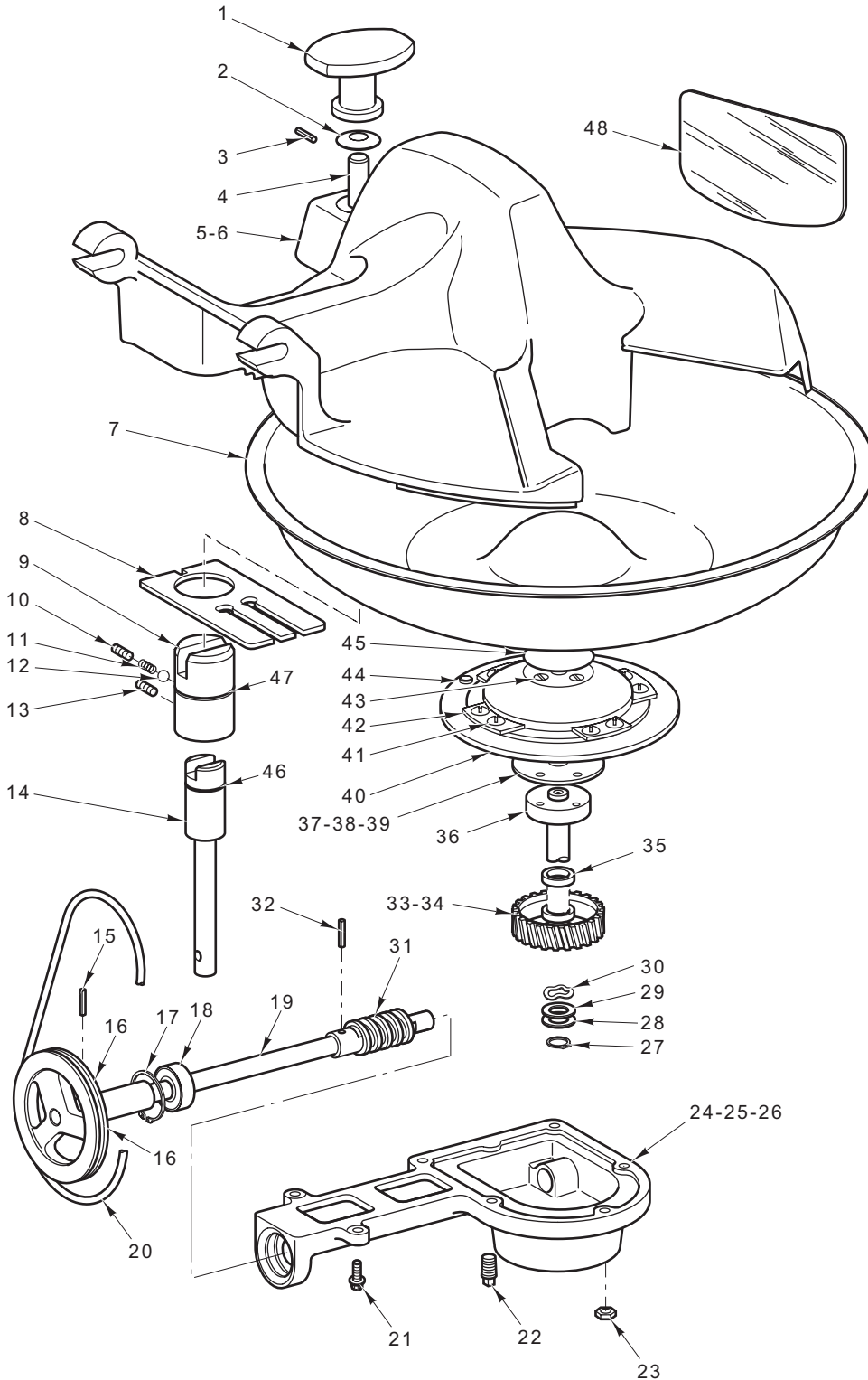
PL-58344

**KNIFE DRIVE UNIT**

**KNIFE DRIVE UNIT**

ILLUS. PL-58344	PART NO.	NAME OF PART	AMT.
1	KW-003-10	Key – Woodruff #606 .....	1
2	00-077358	Flange – Flexa-Gear .....	1
3	00-077357	Gear – Drive (18T).....	1
4	00-077358	Flange – Flexa-Gear .....	1
5	00-077370	Gear – Flexa .....	1
6	WL-004-13	Lockwasher 1/2 Medium.....	1
7	NS-013-35	Nut 1/2-20 Hex .....	1
8	00-291634-00002	Gear – Driven (36T).....	1
9	00-012430-00142	Key 1/4 x 1/4 x 1 .....	1
10	SC-110-99	Set Screw 5/16-18 x 3/8 Hdls., Oval Pt.....	2
11	SC-067-08	Mach. Screw 10-24 x 7/8 Hex Hd. ....	4
*12	00-007157	Bushing – Knife Retaining .....	1
*13	00-117675	Knife – Rotary (Follower).....	1
*14	00-103903	Collar – Bushing .....	1
*15	00-118150	Balance Assy. & Pins .....	1
*16	00-103904	Collar – Locking.....	1
17	00-077371	Knob – Fluted .....	1
18	00-078398	Insert – Knife Shaft .....	1
19	00-071311	Collar – Locking.....	1
20	00-077373	Knife – Follower.....	1
21	00-071312	Collar – Knife Retainer Bushing.....	1
22	00-077372	Knife – Leader .....	1
23	00-071313	Bushing – Knife Retaining .....	1
24	00-291705	Cap – End (Knife End).....	1
25	00-067500-00115	O-Ring .....	1
26	NS-047-12	Lock Nut 3/8-18 .....	1
27	WL-012-08	Lockwasher.....	1
28	BB-007-39	Bearing – Ball (N.D. #Z99507XR).....	1
29	RR-004-24	Ring – Retaining .....	1
30	BB-015-22	Bearing – Ball .....	1
31	00-270856	Shaft – Knife (84186).....	1
32	00-274303	Shaft – Knife (8186).....	1
	00-873616	Knife Assy. (Incls. Items 19 thru 23).....	1
	00-117677	Knife Assy. Single (Incls. Items 11 thru 16).....	1

\*Not NSF Approved.



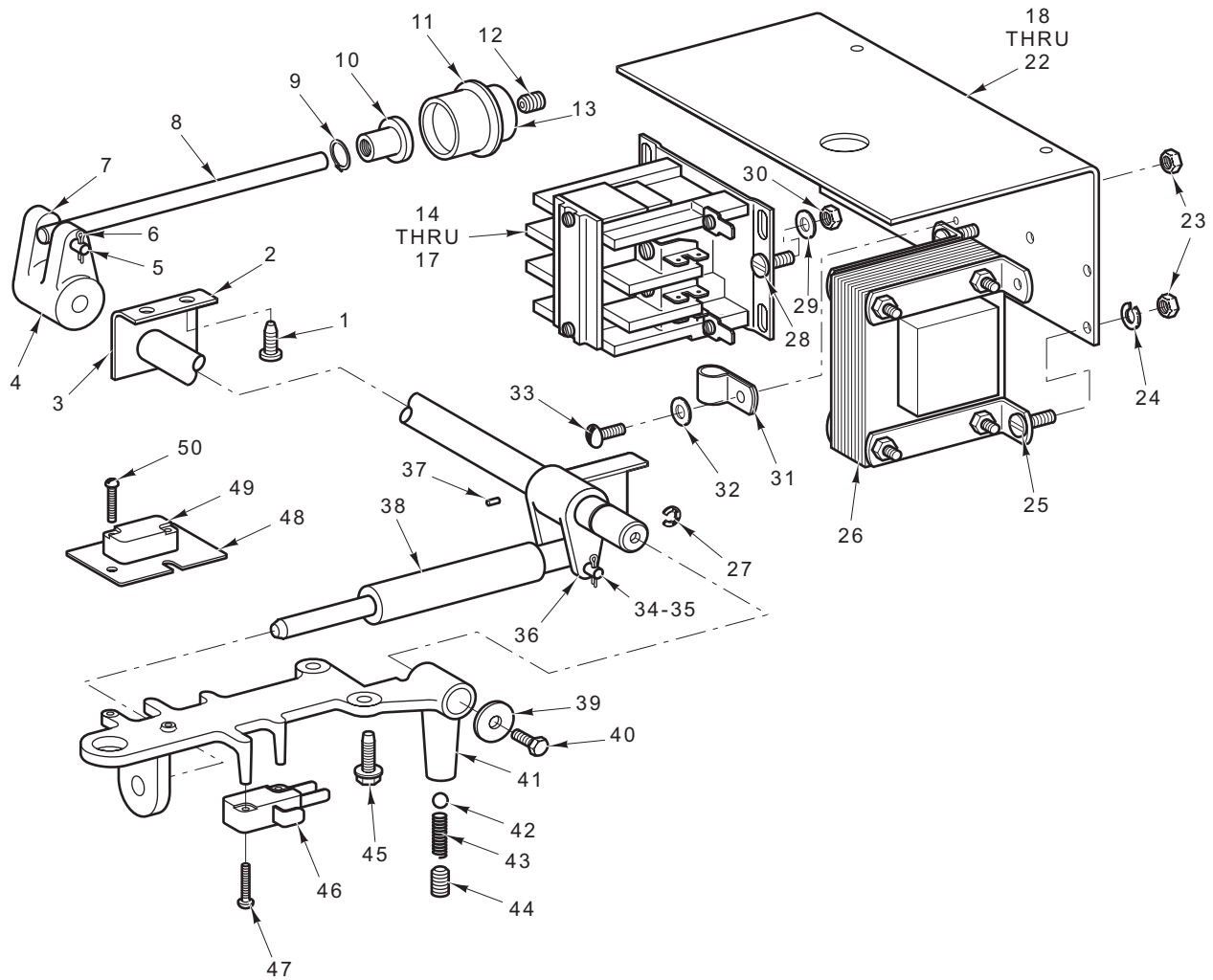
PL-58346

**BOWL AND BOWL DRIVE UNIT**



**BOWL AND BOWL DRIVE UNIT**

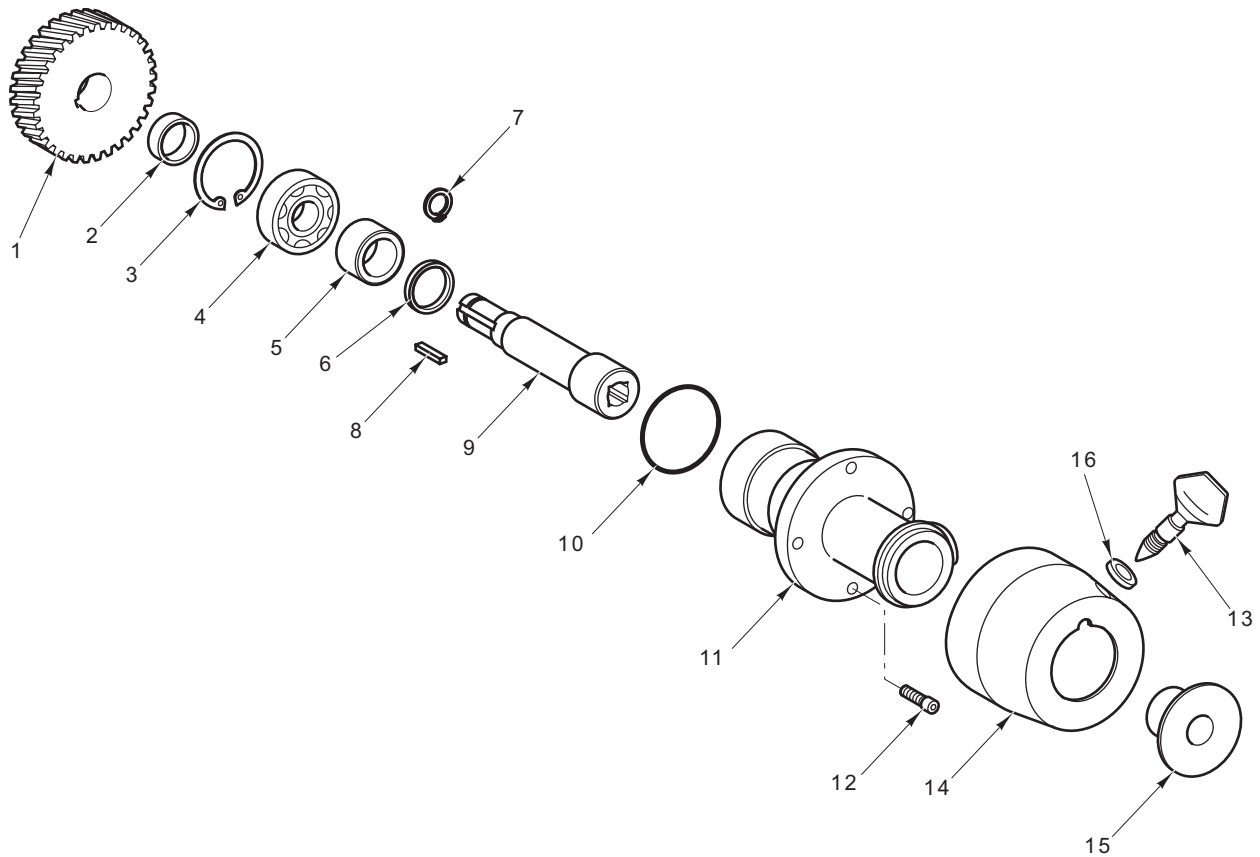
ILLUS.	PART NO.	NAME OF PART	AMT.
	PL-58346		
1	00-116814	Handle – Locking .....	1
2	00-077374	Washer – Belleville .....	1
3	PG-011-16	Pin – Grooved <sup>3</sup> / <sub>16</sub> X <sup>7</sup> / <sub>8</sub> Type C (SST) .....	1
4	00-117168	Bolt – Interlock .....	1
5	00-290570	Bowl – Cover & Caution Plate .....	1
6	00-124739-00002	Cover – Bowl (50 Hz.) .....	1
7	00-290239	Bowl & Adapter Assy. ....	1
8	00-123934	Comb .....	1
9	00-077376	Adapter – Locking .....	1
10	SC-064-23	Set Screw <sup>5</sup> / <sub>16</sub> -18 x <sup>3</sup> / <sub>8</sub> Hex Hdls., Oval Pt. (Nylok) .....	1
11	00-077381	Spring – Ball Detent .....	1
12	BA-002-10	Ball <sup>1</sup> / <sub>4</sub> Dia. (SST) .....	1
13	SC-064-13	Set Screw <sup>5</sup> / <sub>16</sub> -18 x <sup>3</sup> / <sub>4</sub> Hex Hdls., Cup Pt. (Nylok) .....	1
14	00-291776	Shaft – Interlock Control Assy. ....	1
15	RP-003-14	Pin – Roll <sup>3</sup> / <sub>16</sub> X <sup>7</sup> / <sub>8</sub> .....	1
16	00-291789-00002	Pulley – Horizontal Bowl Drive .....	1
17	RR-007-08	Ring – Retaining .....	1
18	BB-005-30	Bearing – Ball .....	1
19	00-436488	Shaft – Horizontal Bowl Drive .....	1
20	00-291704	Belt – Round .....	1
21	SD-015-25	Self-Tapping Screw <sup>1</sup> / <sub>4</sub> -20 x <sup>5</sup> / <sub>8</sub> Hex Washer Hd., Type TT .....	2
22	FP-028-42	Plug – Pipe <sup>1</sup> / <sub>8</sub> .....	1
23	NS-013-14	Nut <sup>5</sup> / <sub>16</sub> -18 Hex .....	6
24	00-291785	Case – Gear (Incls. Items 25 & 26) .....	1
25	BN-002-09	Bearing – Needle .....	1
26	00-291686	Seal – Bowl Drive Gear .....	1
27	RR-004-20	Ring – Retaining .....	1
28	WS-011-01	Washer .....	1
29	WS-010-20	Washer .....	AR
30	SL-003-02	Spring – Loading .....	1
31	00-077349	Worm – Horizontal Bowl Drive Shaft .....	1
32	RP-003-14	Pin – Roll <sup>3</sup> / <sub>16</sub> X <sup>7</sup> / <sub>8</sub> .....	1
33	00-291693-00002	Gear – Vertical Bowl Drive (51T) .....	1
34	00-012430-00047	Key <sup>3</sup> / <sub>16</sub> X <sup>3</sup> / <sub>16</sub> X <sup>11</sup> / <sub>16</sub> .....	1
35	00-116647	Spacer – Bowl Drive .....	1
36	00-291773	Shaft – Vertical Bowl Drive .....	1
37	00-116654-00001	Shim (0.003 Thk.) .....	AR
38	00-116654-00002	Shim (0.005 Thk.) .....	AR
39	00-116654-00003	Shim (0.010 Thk.) .....	AR
40	00-291587-00002	Support – Bowl .....	1
41	SC-053-09	Mach. Screw <sup>1</sup> / <sub>4</sub> -28 x <sup>1</sup> / <sub>2</sub> Truss Hd. ....	8
42	00-078061	Clamp – Bowl Support .....	4
43	SC-022-32	Mach. Screw <sup>1</sup> / <sub>4</sub> -20 x <sup>1</sup> / <sub>2</sub> Flat Hd. ....	3
44	00-088417	Pin – Bowl Stop .....	1
45	00-116651	Cover – Bowl Support .....	1
46	00-067500-00010	O-Ring .....	1
47	00-067500-00010	O-Ring .....	1
48	00-118801	Scraper – Bowl .....	1
	00-290910-00001	Cover – Bowl & Locking Knob Assy. (Incls. Items 1 thru 5) .....	1
	00-290910-00002	Cover – Bowl & Locking Knob Assy. (Incls. Items 1 thru 4, & 6) .....	1
	00-436489	Shaft – Horizontal Bowl Drive Assy. (Incls. Items 15, 16, 18, & 19) .....	1



**SWITCH UNIT**

**SWITCH UNIT**

ILLUS.	PART NO.	NAME OF PART	AMT.
	PL-58347		
1	SD-024-44	Self-Tapping Screw 10-24 x 1/2 Pan Hd., Type TT.....	2
2	00-117633	Bracket – Switch Control Rod.....	1
3	00-291698	Shaft – Switch Control.....	1
4	RP-002-36	Pin – Roll 1/8 x 1.....	1
5	00-077390	Pin – Clevis.....	1
6	PC-003-23	Pin – Cotter 1/16 x 1/2.....	1
7	00-116713	Clevis.....	1
8	00-291697	Rod – On/Off.....	1
9	RR-004-17	Ring – Retaining.....	1
10	00-117705	Bushing – Switch Rod.....	1
11	00-120126	Knob – Pull & Label Assy. (Incls. Items 12 & 13).....	1
12	SC-047-95	Set Screw 5/16-18 x 1/4 Hdls., Cup Pt.....	1
13	00-119604	Label – Knob (Start/Stop).....	1
14	00-087713-038-2	Contactor (30 A., 2 Pole) (115 V. Coil).....	1
15	00-087713-038-1	Contactor (30 A., 2 Pole) (220 V. Coil).....	1
16	00-087713-040-2	Contactor (30 A., 3 Pole) (115 V. Coil).....	1
17	00-087713-040-1	Contactor (30 A., 3 Pole) (220 V. Coil).....	1
18	SD-024-44	Self-Tapping Screw 10-24 x 1/2 Pan Hd., Type TT.....	2
19	00-270532	Bracket – Electrical.....	1
20	SC-027-30	Mach. Screw 8-32 x 1/2 Slotted Rd. Hd.(Brass).....	1
21	WL-008-13	Lockwasher #10 Internal Shakeproof.....	1
22	NS-009-12	Nut 8-32 Hex.....	1
23	NS-009-22	Nut 10-24 Hex.....	4
24	WL-003-24	Lockwasher #10 Medium.....	2
25	SC-018-01	Mach. Screw 10-24 x 3/8 Pan Hd.....	2
26	00-101935	Transformer – Step Down (VA-50) (380 V., 50 Hz., 3 Ph. / 460 V., 60 Hz., 3 Ph.).....	1
27	RR-004-25	Ring – Retaining.....	1
28	SC-018-01	Mach. Screw 10-24 x 3/8 Pan Hd.....	2
29	WL-003-24	Lockwasher #10 Medium.....	2
30	NS-009-22	Nut 10-24 Hex.....	2
31	00-078752-00012	Clamp 3/8.....	1
32	WL-008-13	Lockwasher #10 Internal Shakeproof.....	1
33	SC-008-10	Mach. Screw 10-24 x 1/2 Slotted Rd. Hd.....	1
34	PC-003-23	Pin – Cotter 1/16 x 1/2.....	1
35	00-077390	Pin – Clevis.....	1
36	00-291780-00001	Clevis – Switch End.....	1
37	RP-002-36	Pin – Roll 1/8 x 1.....	1
38	00-291757	Pin – Interlock Bar.....	1
39	WS-023-19	Washer.....	1
40	SC-068-07	Mach. Screw 10-24 x 3/8 Hex Hd.....	1
41	00-291700-00002	Frame – Switch Interlock.....	1
42	BA-002-10	Ball 1/4 Dia.....	1
43	00-077381	Spring – Ball Detent.....	1
44	SC-064-23	Set Screw 5/16-18 x 3/8 Hdls., Hex Hd., Oval Pt.....	1
45	SD-015-25	Self-Tapping Screw 1/4-20 x 5/8 Hex Washer Hd., Type TT.....	2
46	00-087711-202-1	Switch – Miniature.....	AR
47	SC-060-40	Mach. Screw 4-40 x 5/8 Slotted Rd. Hd.....	AR
48	00-291805	Insulator – Snap Switch.....	1
49	00-087711-201-2	Switch.....	1
50	SC-060-40	Mach. Screw 4-40 x 5/8 Slotted Rd. Hd.....	2



PL-58343

### ATTACHMENT DRIVE UNIT

ILLUS.	PART NO.	NAME OF PART	AMT.
PL-58343			
1	00-291703	Gear - Attachment Hub (20 T).....	1
2	00-292031	Spacer - Attachment Hub.....	1
3	RR-006-02	Ring - Retaining .....	1
4	BB-007-52	Bearing - Ball .....	1
5	00-083440	Bearing - Powdered Iron .....	1
6	00-070090	Seal - Oil .....	1
7	RR-004-09	Ring - Retaining .....	1
8	00-012430-00047	Key - Attachment Hub.....	1
9	00-291689	Shaft - Attachment Hub.....	1
10	00-067500-00054	O-Ring .....	1
11	00-291635	Hub & Bearing Assy. (Incls. Items 5 & 6).....	1
12	SC-089-04	Cap Screw 1/4-20 x 1 Hex Hd.....	4
13	00-291702	Screw - Thumb Assy. ....	1
*14	00-292908	Cap - Trim .....	1
15	00-114824-00001	Plug - Attachment.....	1
16	00-079537	Grommet - Thumb Screw.....	1
	00-291753	Hub - Attachment Assy. (Incls. Items 1 thru 11).....	1
		*Previous Trim Cap did not require grommet. To replace, order item 14 Trim Cap & item 16 Grommet.	