



CATALOG OF REPLACEMENT PARTS

CLeN SERIES DISHWASHERS



CL44eN MODELS

ML-138401 CL44eN (R-L)
ML-138402 CL44eN (L-R)

CL54eN MODELS

ML-138405 CL54eN (R-L)
ML-138406 CL54eN (L-R)

CL64eN MODELS

ML-138413 CL64eN (R-L)
ML-138414 CL64eN (L-R)

CLPS66eN MODELS

ML-138403 CLPS66eN (R-L)
ML-138404 CLPS66eN (L-R)

CLCS66eN MODELS

ML-138409 CLCS66eN (R-L)
ML-138410 CLCS66eN (L-R)

CLPS76eN MODELS

ML-138407 CLPS76eN (R-L)
ML-138408 CLPS76eN (L-R)

CLCS76eN MODELS

ML-138411 CLCS76eN (R-L)
ML-138412 CLCS76eN (L-R)

CLPS86eN MODELS

ML-138415 CLPS86eN (R-L)
ML-138416 CLPS86eN (L-R)

CLCS86eN MODELS

ML-138417 CLCS86eN (R-L)
ML-138418 CLCS86eN (L-R)

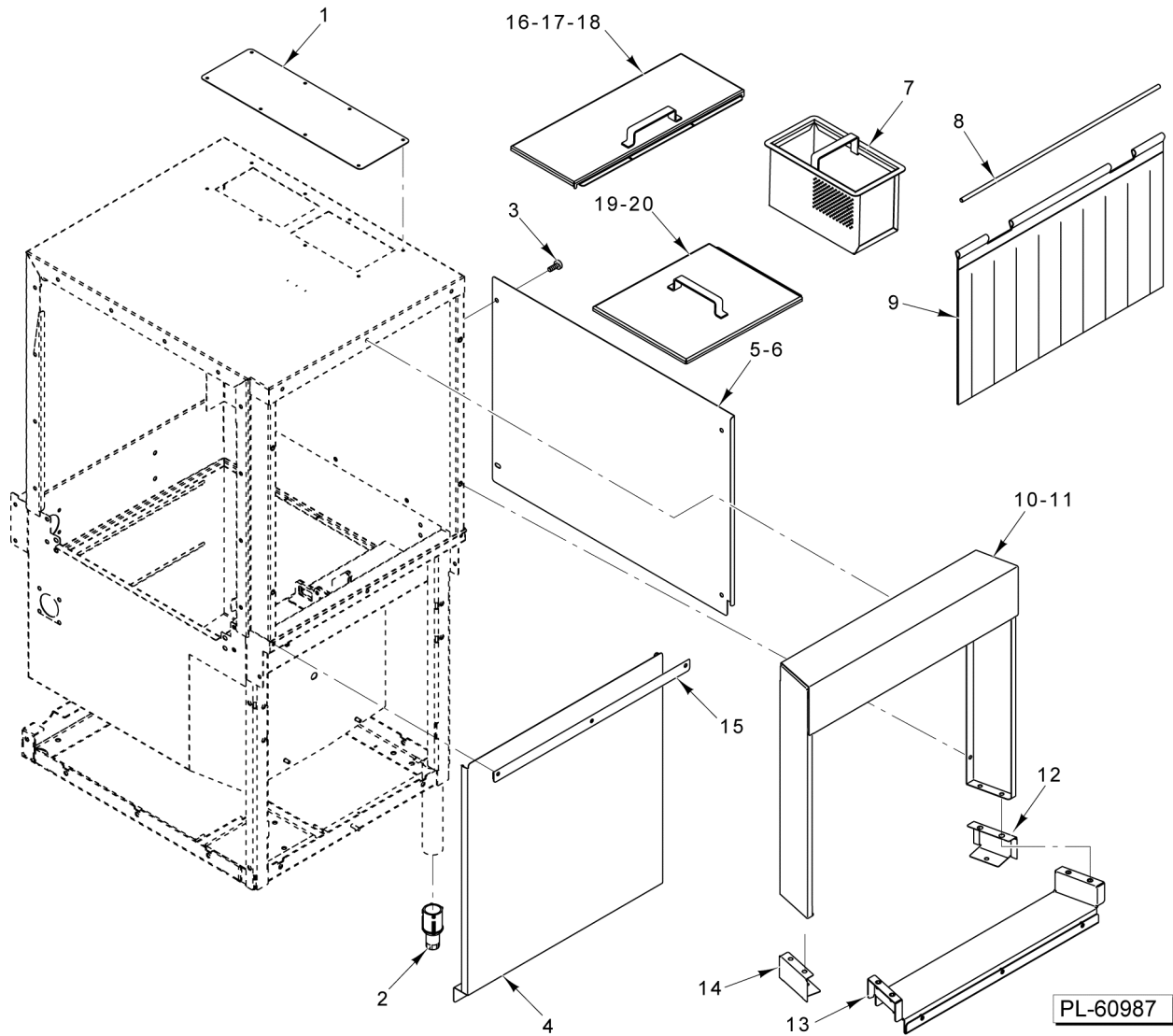
MODEL DDUe DIRECT DRIVE
UNLOADER

Table of Contents

7	PANELS (CLCSEN)
9	PREWASH MOTOR AND PUMP (CLCSEN)
11	TRACK AND CRADLE (CLCSEN)
13	UPPER WASH ARM (CLCSEN)
15	LOWER WASH ARM (CLCSEN)
17	DRAIN AND FLOWBACK (CLCSEN)
19	CORNER SCRAPER TANK SENSOR (CLCSEN)
21	DOORS AND PANELS (CLPSEN)
23	PREWASH MOTOR AND PUMP (CLPSEN)
25	TRACK AND CRADLE (CLPS66EN)
27	TRACK AND CRADLE (CLPS76/86EN)
29	UPPER WASH ARM (CLPSEN)
31	LOWER WASH ARM (CLPSEN)
33	DRAIN AND FLOWBACK (CLPSEN)
35	PREWASH TANK SENSOR (CLPSEN)
37	COMPONENT PANEL (ELECTRIC)
39	COMPONENT PANEL (GAS HEAT)
41	COMPONENT PANEL (STEAM HEAT)
43	CONVEYOR DRIVE MOTOR
45	CONVEYOR DRIVE (CL44/54EN)
47	CONVEYOR DRIVE (CL64EN)
49	CONVEYOR (CL44/54EN)
51	CONVEYOR (CL64EN)
53	PAWL ASSEMBLY
55	WASH MOTOR AND PUMP
57	UPPER WASH ARM
59	CONTROL BOX
61	LOWER WASH ARM (CL44/54EN)
63	LOWER WASH ARM (CL64EN)
65	RINSE PIPING
67	ELECTRIC BOOSTER
69	INCOMING WATER AND BOOSTER SUPPORT
71	AIR TRAP AND TANK SENSORS (TANK 1)
73	TANK SENSORS (TANK 2)
75	ELECTRIC HEAT
77	GAS HEAT COMPONENTS
79	GAS HEAT PIPING
81	COMMON GAS PIPING (CL64EN)
83	STEAM COIL AND INLET PIPING
85	COMMON STEAM PIPING (CL64EN)
87	DRAIN PIPING (TEMPERING)
89	DRAIN (TANK)

91	ASR SYSTEM
93	DWER SYSTEM
95	DOORS
97	LOWER PANELS
99	UPPER PANELS (CL64EN)
101	CURTAINS AND STRAINERS
103	FLOWBACK AND PANELS (CL54EN)
105	WIREWAY
107	VENT HOOD
109	TABLE LIMIT SWITCH (ML-138163)
111	DISH RACKS
113	TABLE UNIT (R-L OPERATION SHOWN)
115	CARRIAGE AND LINKAGE (DRIVE MECHANISM)
117	ELECTRICAL CABLES

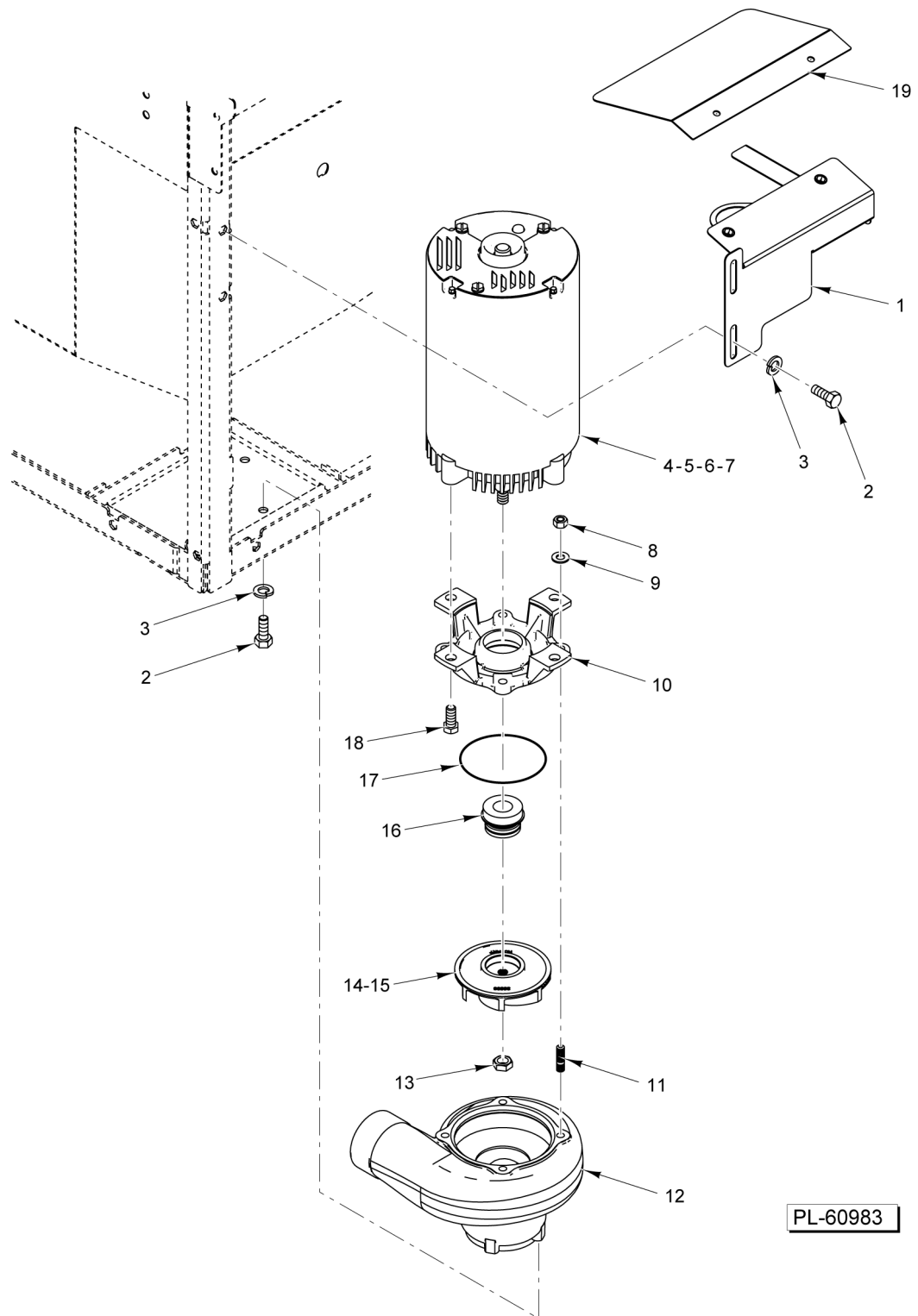
NOTES



PANELS (CLCSEN)

PANELS (CLCSEN)

ILLUS.	PART NO.	NAME OF PART	AMT.
PL-60987			
1	00-919347	Cover - Vent Stack.....	1
2	00-288946-00002	Foot - Adjustable (1-5/8) (SST).....	1
3	SC-125-15	Mach. Screw 1/4-20 x 1/2 Phil. Truss Hd.....	4
4	00-936517	Panel - Front Trim.....	1
5	00-919867	Panel - Trim End (Right).....	1
6	00-919875	Panel - Trim End (Left).....	1
7	00-936161	Strainer - Bucket.....	1
8	00-919507	Rod - Curtain.....	1
9	00-936520	Curtain - Corner Splash.....	1
10	00-936711-00001	Chamber Weldment - Jumper (STD).....	1
11	00-936711-00002	Chamber Weldment - Jumper (HTS).....	1
12	00-936709-00001	Trim - Right Jumper.....	1
13	00-936515-00001	Table Weldment - Jumper.....	1
14	00-936709-00002	Trim - Left Jumper.....	1
15	00-936518	Trim - Front Clip.....	1
16	00-974761-00001	Strainer - Rear (Base & EGR).....	1
17	00-974761-00003	Strainer - Rear (R-L, ASR).....	1
18	00-974761-00006	Strainer - Rear (L-R, ASR).....	1
19	00-974760-00001	Strainer - Front (Base & EGR).....	1
20	00-974760-00003	Strainer - Front (ASR).....	1

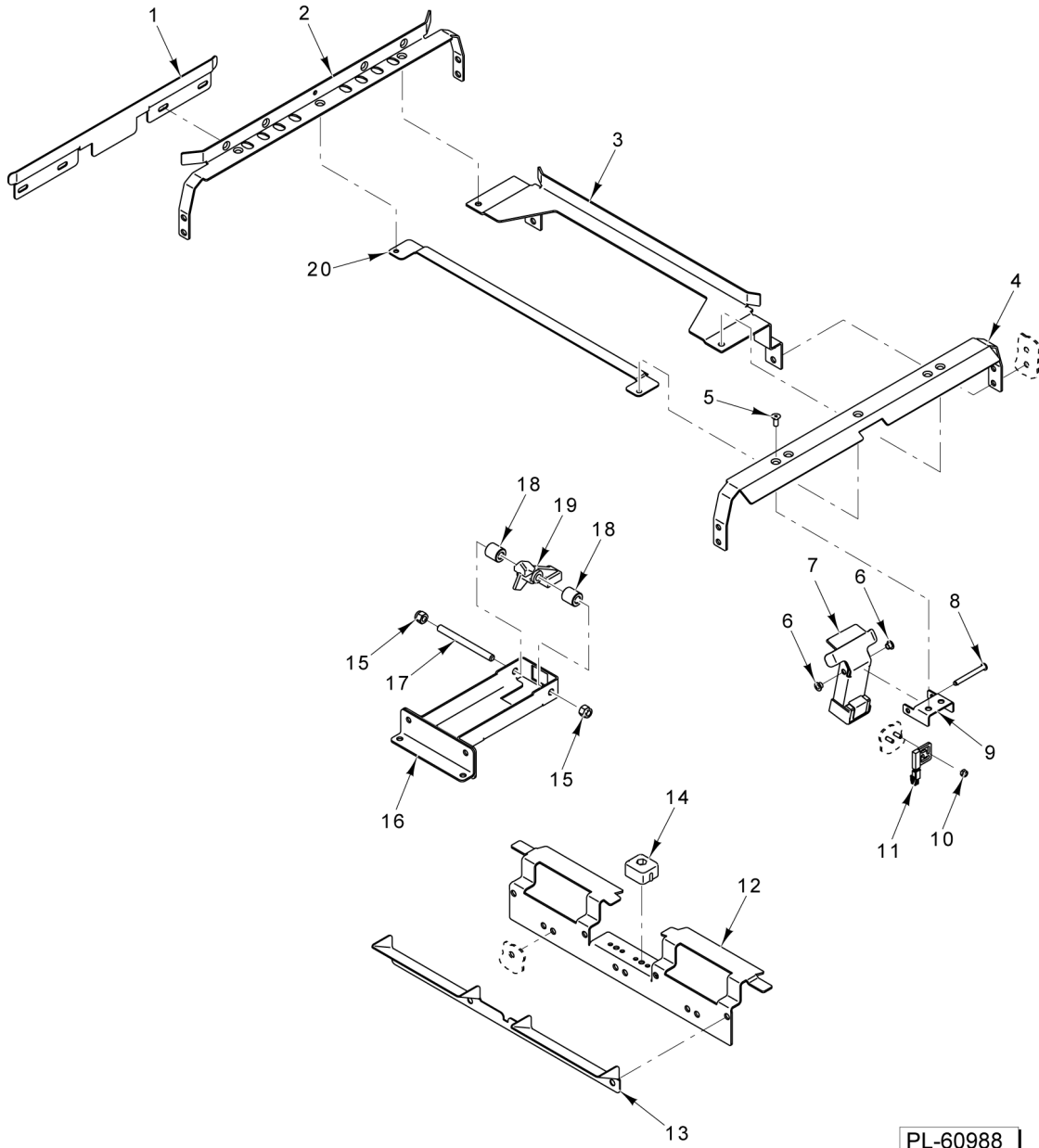


PL-60983

PREWASH MOTOR AND PUMP (CLCSEN)

PREWASH MOTOR AND PUMP (CLCSEN)

ILLUS.	PART NO.	NAME OF PART	AMT.
PL-60983			
1	00-936015-00002	Strap - Motor Support.....	1
2	SC-041-50	Cap Screw 1/4-20 x 1/2 Hex Hd. (SST).....	6
3	WL-006-17	Lockwasher 1/4 Helical (SST).....	6
4	00-893039-00008	Motor (208-240/480 V., 60 Hz., 3 Ph.).....	1
5	00-893039-00009	Motor (208-240 V., 60 Hz., 1 Ph.).....	1
6	00-893039-00010	Motor (240-380 V., 50 Hz., 3 Ph.).....	1
7	00-919229-00008	Motor (600 V., 60 Hz., 3 Ph.).....	1
8	NS-015-11	Nut 5/16-18 Hex (SST).....	4
9	WS-005-32	Washer (SST).....	4
10	00-919229-00001	Pump - Motor Adapter.....	1
11	00-919229-00003	Stud 5/16-18 x 1-1/8.....	4
12	00-919229-00002	Pump - Housing.....	1
13	00-893039-00003	Jam Nut 7/16-20 Hex.....	1
14	00-919229-00006	Impeller (60 Hz.).....	1
15	00-919229-00007	Impeller (50 Hz.).....	1
16	00-274227-00006	Seal - Shaft.....	1
17	00-067500-00152	O-Ring.....	1
18	SC-041-29	Cap Screw 3/8-16 x 7/8 Hex Hd. (SST).....	4
19	00-815462	Guard - Motor.....	1

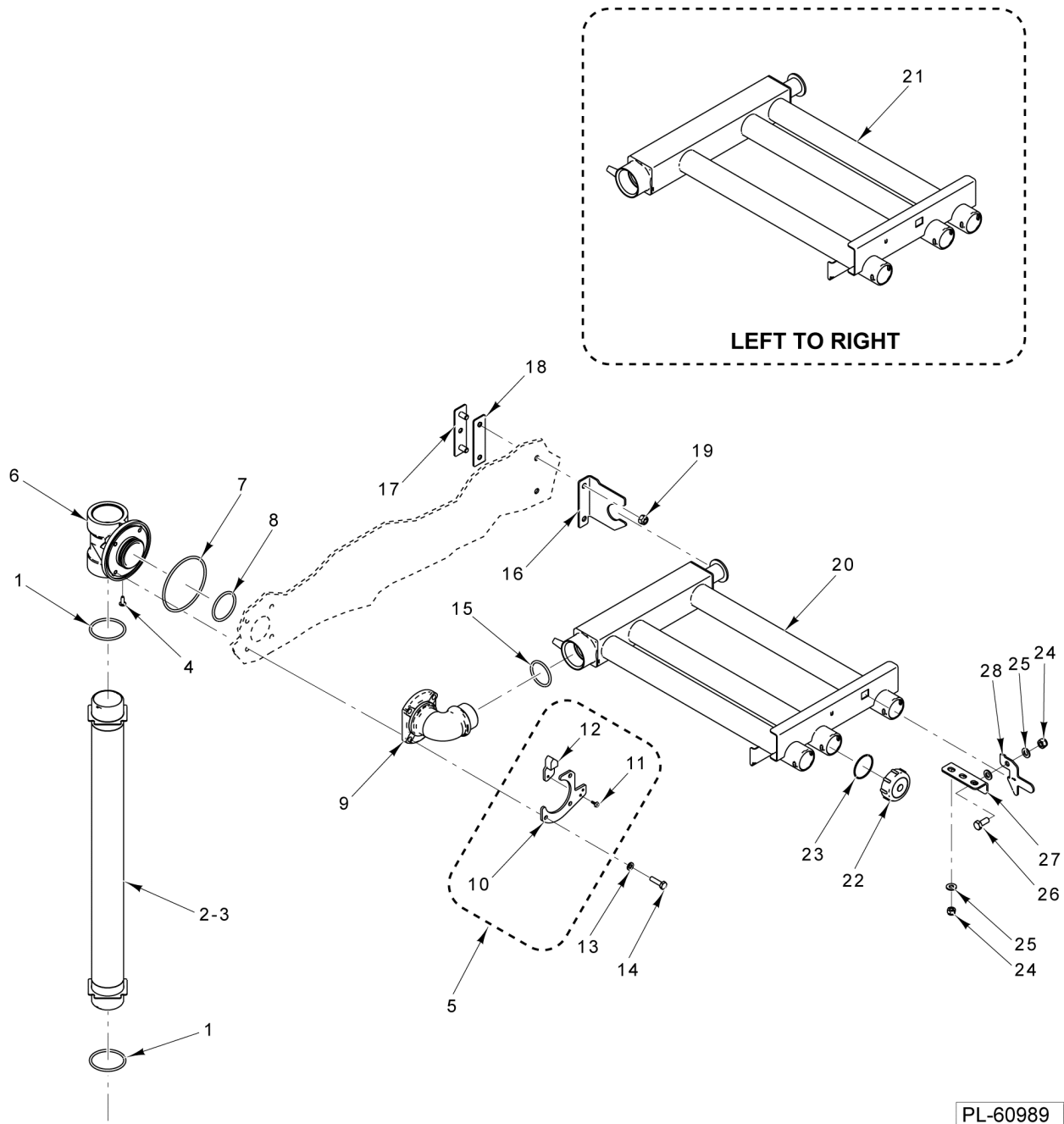


PL-60988

TRACK AND CRADLE (CLCSEN)

TRACK AND CRADLE (CLCSEN)

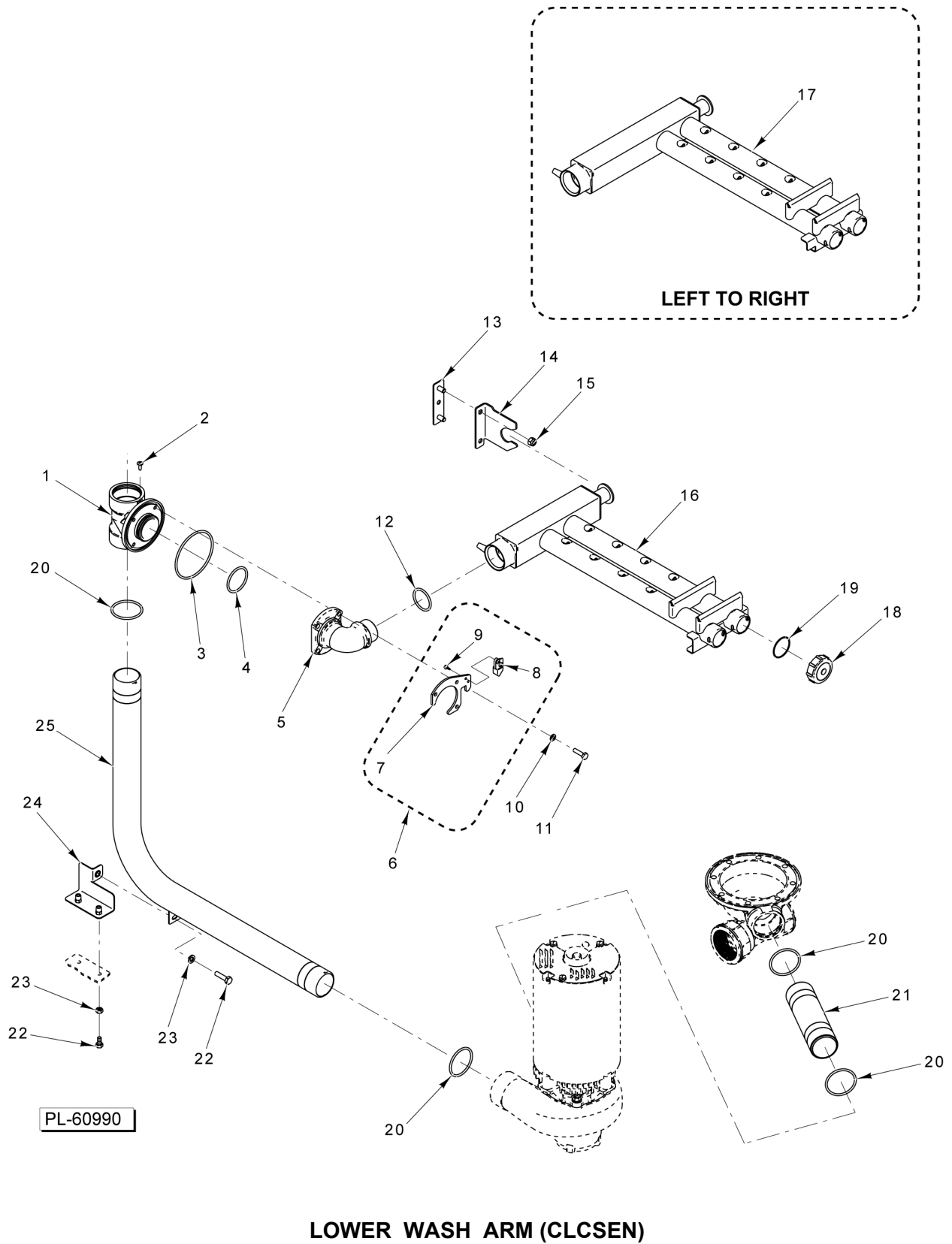
ILLUS.	PART NO.	NAME OF PART	AMT.
PL-60988			
1	00-936519	Track Guide - Corner Rear.....	1
2	00-936650	Rack - Rear Track.....	1
3	00-936511	Track - Outbound.....	1
4	00-936513	Rack - Front Track.....	1
5	SC-127-91	Mach. Screw 1/4-20 x 5/8 Phil. Flat Hd. (SST).....	AR
6	00-919722	Bearing - IGUS.....	2
7	00-936504	Actuator Weldment.....	1
8	00-936369	Pin - Pivot SLIC.....	1
9	00-936506	Mount - Actuator.....	1
10	NS-031-15	Stop Nut 10-24 Hex (SST).....	2
11	00-814641	Kit - Interlock Switch.....	1
12	00-936512	Track - Inbound Side.....	1
13	00-936514	Baffle - Make Up Catch.....	1
14	00-473232	Slider - Small.....	2
15	NS-046-09	Stop Nut 3/8-16 (SST).....	2
16	00-941341	Conveyor Assy - Dog.....	1
17	00-107941	Stud - Roller.....	1
18	00-062525	Roller - Conveyor.....	2
19	00-112377	Dog.....	1
20	00-936651	Brace - Corner Track.....	1



UPPER WASH ARM (CLCSEN)

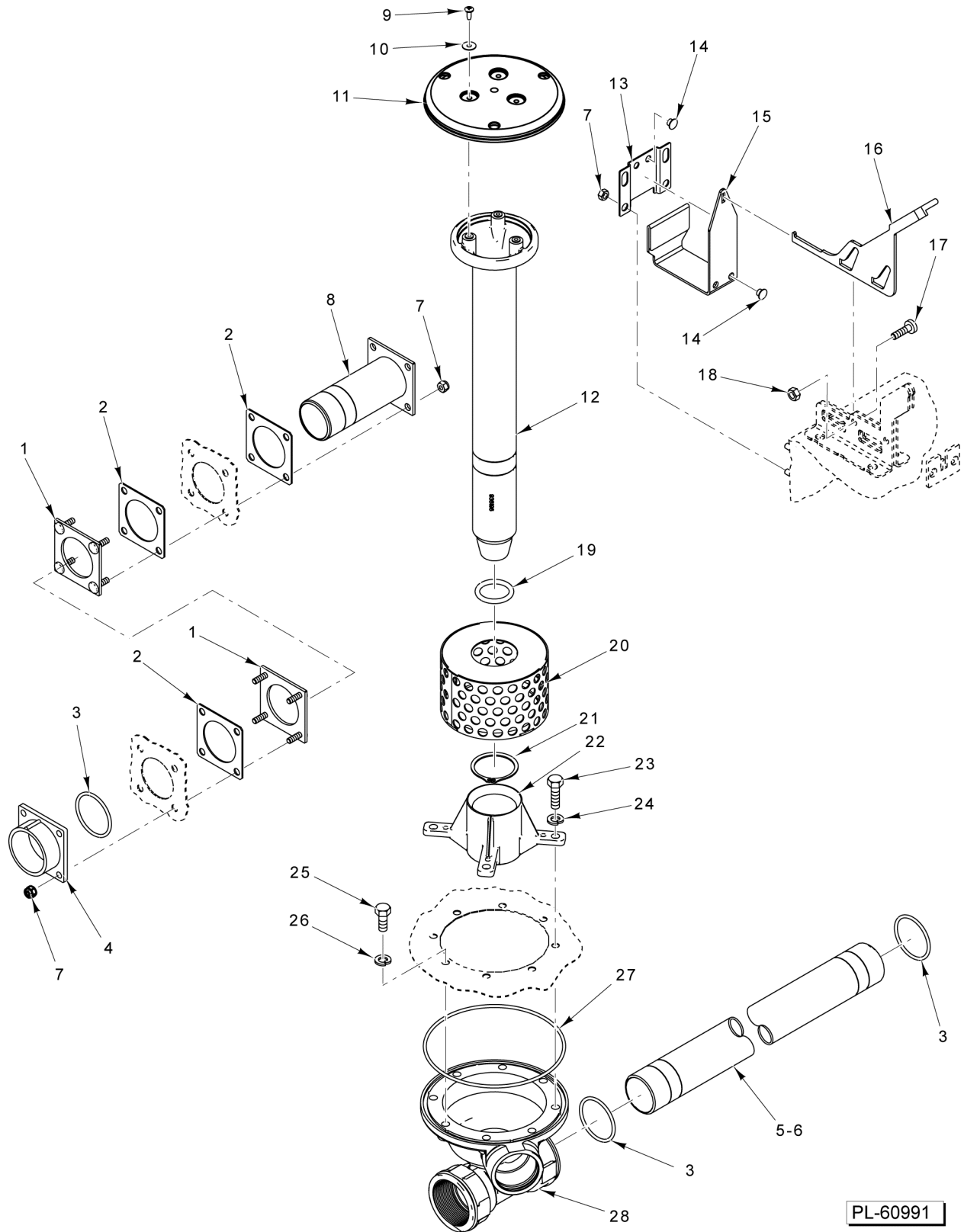
UPPER WASH ARM (CLCSEN)

ILLUS.	PART NO.	NAME OF PART	AMT.
PL-60989			
1	00-067500-00057	O-Ring.....	2
2	00-936020-00001	Tube - Feed (STD).....	1
3	00-936020-00002	Tube - Feed (HTS).....	1
4	SD-038-84	Self-Tapping Screw 10-24 x 1/2 Phil. Truss Hd., Type F (SST).....	1
5	00-936222	Cam Plate Assy. (Incls. Items 10, 11, & 12).....	1
6	00-919663-00001	Manifold - Elbow.....	1
7	00-067500-00132	O-Ring.....	1
8	00-067500-00019	O-Ring.....	1
9	00-919926	Manifold - Elbow.....	1
10	00-936168	Plate - Adjuster.....	1
11	00-893777-00001	Self-Tapping Screw (Thread Forming).....	2
12	00-936166	Block - Wear.....	1
13	WL-006-17	Lockwasher 1/4 Helical (SST).....	1
14	SC-041-02	Cap Screw 1/4-20 x 1 Hex Hd. (SST).....	4
15	00-067500-00014	O-Ring.....	1
16	00-919931	Bracket - Guide (Wash Arm).....	1
17	00-936202	Plate - Mounting.....	1
18	00-814592	Gasket - Mounting Plate.....	1
19	NS-036-19	Stop Nut 5/16-18 Hex (SST).....	2
20	00-936534	Arm - Prewash (Upper) (R-L).....	1
21	00-936535	Arm - Prewash (Upper) (L-R).....	1
22	00-919363	End Cap Assy. (Incls. Item 23).....	3
23	00-067500-00069	O-Ring.....	3
24	NS-031-19	Stop Nut 1/4-20 Hex (SST).....	4
25	WS-017-06	Washer (SST).....	5
26	SC-041-01	Cap Screw 1/4-20 x 3/4 Hex Hd. (SST).....	1
27	00-919379	Bracket - Latch.....	1
28	00-919378	Latch.....	1



LOWER WASH ARM (CLCSEN)

ILLUS. PL-60990	PART NO.	NAME OF PART	AMT.
1	00-919663-00002	Manifold - Tee.....	1
2	SD-038-84	Self-Tapping Screw 10-24 x 1/2 Phil. Truss Hd., Type F (SST).....	1
3	00-067500-00132	O-Ring.....	1
4	00-067500-00019	O-Ring.....	1
5	00-919926	Manifold - Elbow.....	1
6	00-936222	Cam Plate Assy.....	1
7	00-936168	Plate - Adjuster.....	1
8	00-936166	Block - Wear.....	1
9	00-893777-00001	Self-Tapping Screw (Thread Forming).....	2
10	WL-006-17	Lockwasher 1/4 Helical (SST).....	4
11	SC-041-02	Cap Screw 1/4-20 x 1 Hex Hd. (SST).....	4
12	00-067500-00014	O-Ring.....	1
13	00-936202	Plate - Mounting.....	1
14	00-919931	Bracket - Guide (Wash Arm).....	1
15	NS-036-19	Stop Nut 5/16-18 Hex (SST).....	2
16	00-936536	Arm - Prewash (Lower) (R-L).....	1
17	00-936537	Arm - Prewash (Lower) (L-R).....	1
18	00-919363	End Cap Assy. (Incls. Item 19).....	2
19	00-067500-00069	O-Ring.....	2
20	00-067500-00057	O-Ring.....	4
21	00-919738-00003	Tube - Feed.....	1
22	SC-041-50	Cap Screw 1/4-20 x 1/2 Hex Hd. (SST).....	3
23	WL-006-17	Lockwasher 1/4 Helical (SST).....	3
24	00-936401-00001	Bracket - Wash Mount Assy.....	1
25	00-935979	Tube - Feed.....	1

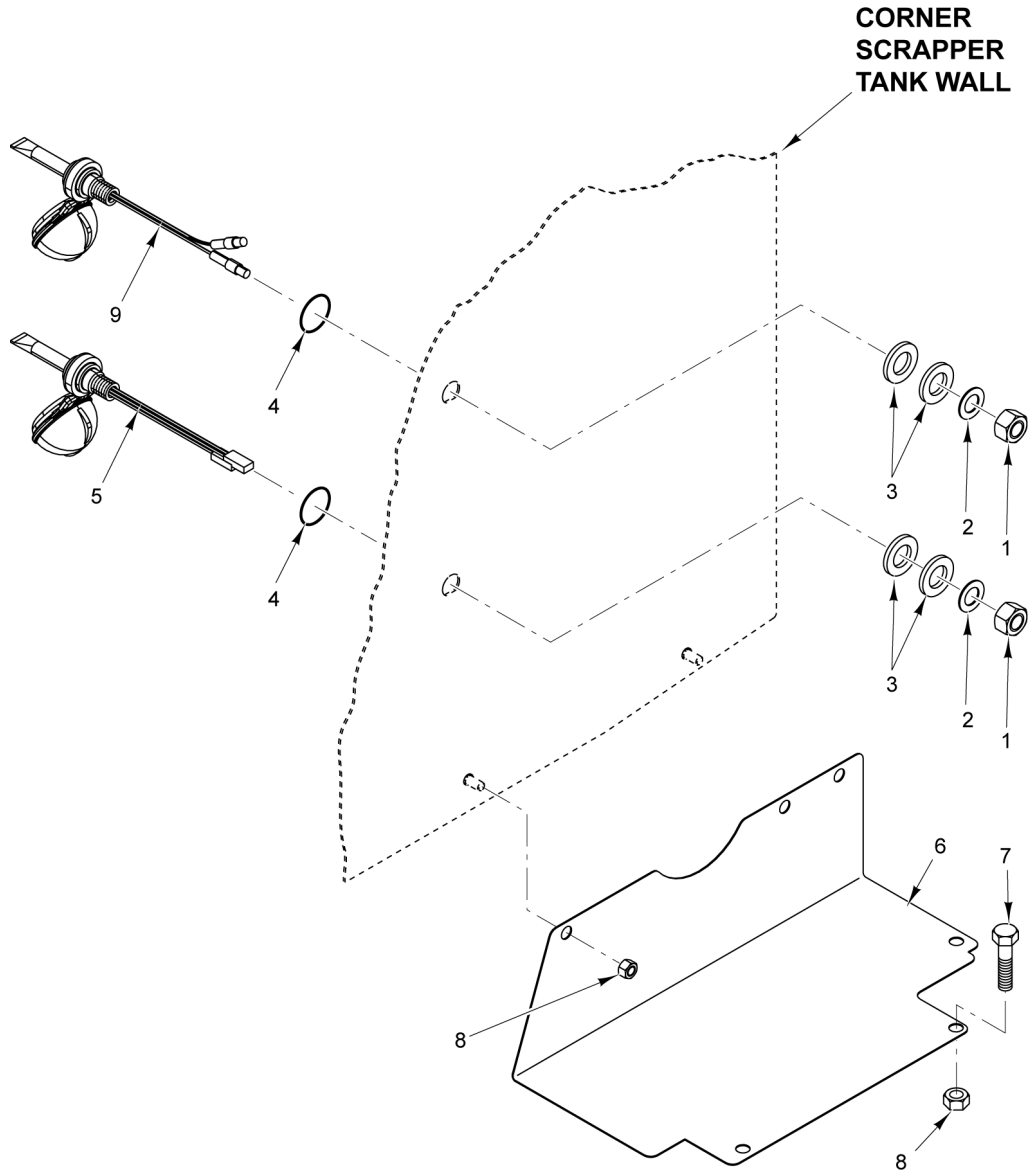


PL-60991

DRAIN AND FLOWBACK (CLCSEN)

DRAIN AND FLOWBACK (CLCSEN)

ILLUS.	PART NO.	NAME OF PART	AMT.
PL-60991			
1	00-919806	Plate - Flowback.....	2
2	00-120603	Gasket - Seal Retainer.....	3
3	00-067500-00057	O-Ring.....	3
4	00-941711	Flange - Overflow.....	1
5	00-919738-00004	Tube - Drain to Drain (25 In.).....	1
6	00-919738-00006	Tube - Drain To Drain (23-15/16 In.).....	1
7	NS-031-19	Stop Nut 1/4-20 Hex (SST).....	12
8	00-919811	Tube - Flowback Weldment.....	1
9	SD-038-85	Self-Tapping Screw 10-24 x 3/4 Phil. Truss Hd. Type F (SST).....	3
10	WS-017-06	Washer (SST).....	3
11	00-936738	Cover - Standpipe.....	1
12	00-936196	Tube - Overflow.....	1
13	00-919790	Guide - Lift.....	1
14	00-936372	Button - Wear.....	4
15	00-974409	Lift - Guide.....	1
16	00-936236	Link - Lift.....	1
17	SC-130-42	Shoulder Screw 5/16 Dia. 1/4-20 x 1/2 Socket Hex Hd. (SST).....	2
18	NS-047-82	Stop Nut 1/4-20 Hex (SST).....	2
19	00-067500-00120	O-Ring.....	1
20	00-936223	Strainer - Overflow Weldment.....	1
21	RR-012-37	Retaining Ring.....	1
22	00-936247	Guide - Standpipe.....	1
23	SC-041-11	Cap Screw 5/16-18 x 3/4 Hex Hd. (SST).....	4
24	WS-017-08	Washer (0.328 x 0.625 x 0.062) (SST).....	4
25	SC-041-10	Cap Screw 5/16-18 x 5/8 Hex Hd. (SST).....	4
26	WL-006-23	Lockwasher 5/16 Helical (SST).....	4
27	00-067500-00136	O-Ring.....	1
28	00-919725	Drain.....	1

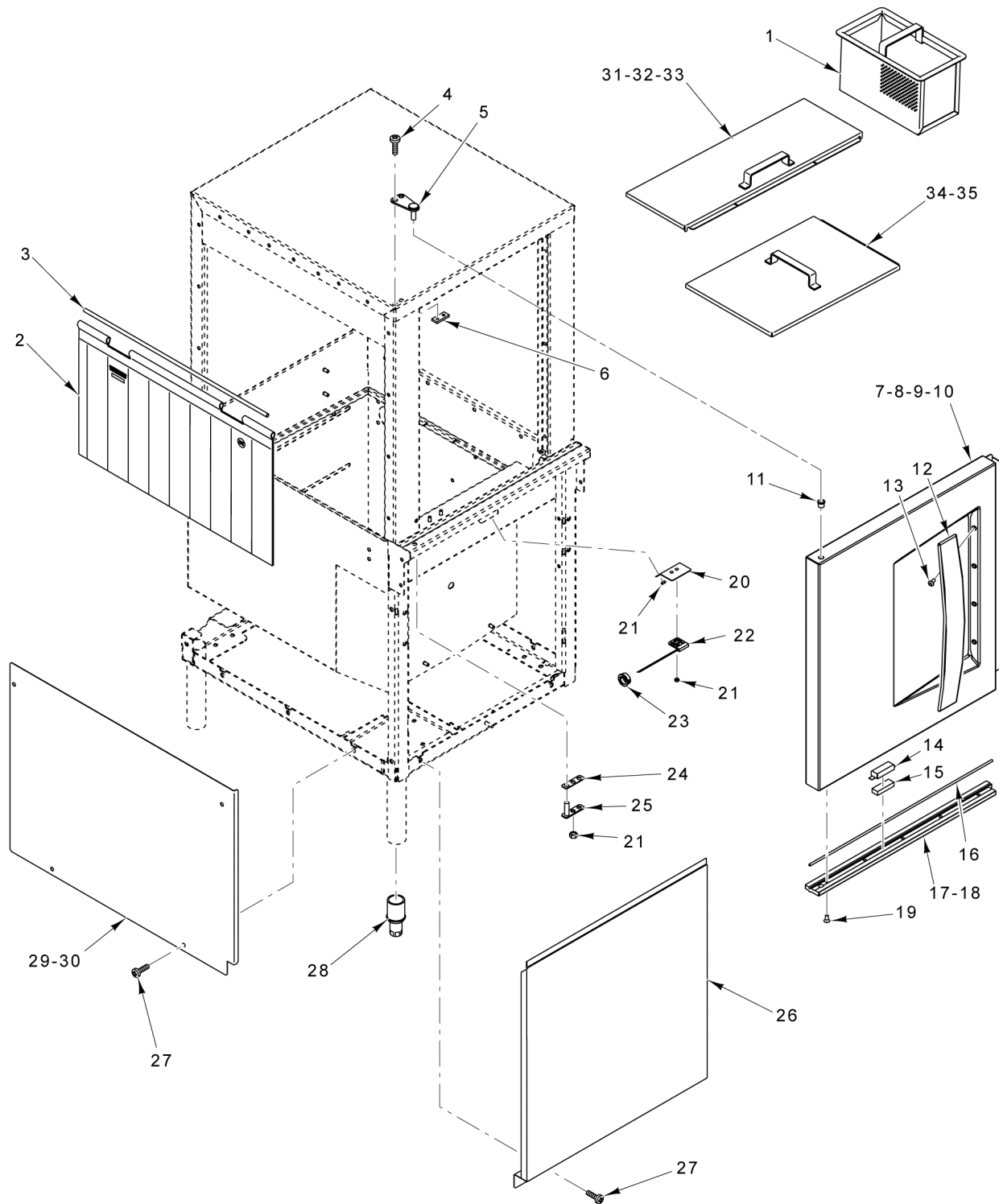


PL-60992

CORNER SCRAPER TANK SENSOR (CLCSEN)

CORNER SCRAPPER TANK SENSOR (CLCSEN)

ILLUS.	PART NO.	NAME OF PART	AMT.
PL-60992			
1	NS-018-28	Jam Nut 1/2-20 Hex (SST).....	2
2	WL-014-31	Lockwasher 1/2 External Shakeproof (SST).....	2
3	WS-010-40	Washer - Thrust.....	4
4	00-067500-00072	O-Ring.....	2
5	00-936547-00004	Probe & Switch Assy.....	1
6	00-935871	Panel - Bottom.....	1
7	SC-041-05	Cap Screw 1/4-20 x 5/8 Hex Hd. (SST).....	2
8	NS-031-19	Stop Nut 1/4-20 Hex (SST).....	4
9	00-936547-00003	Probe & Switch Assy.....	1

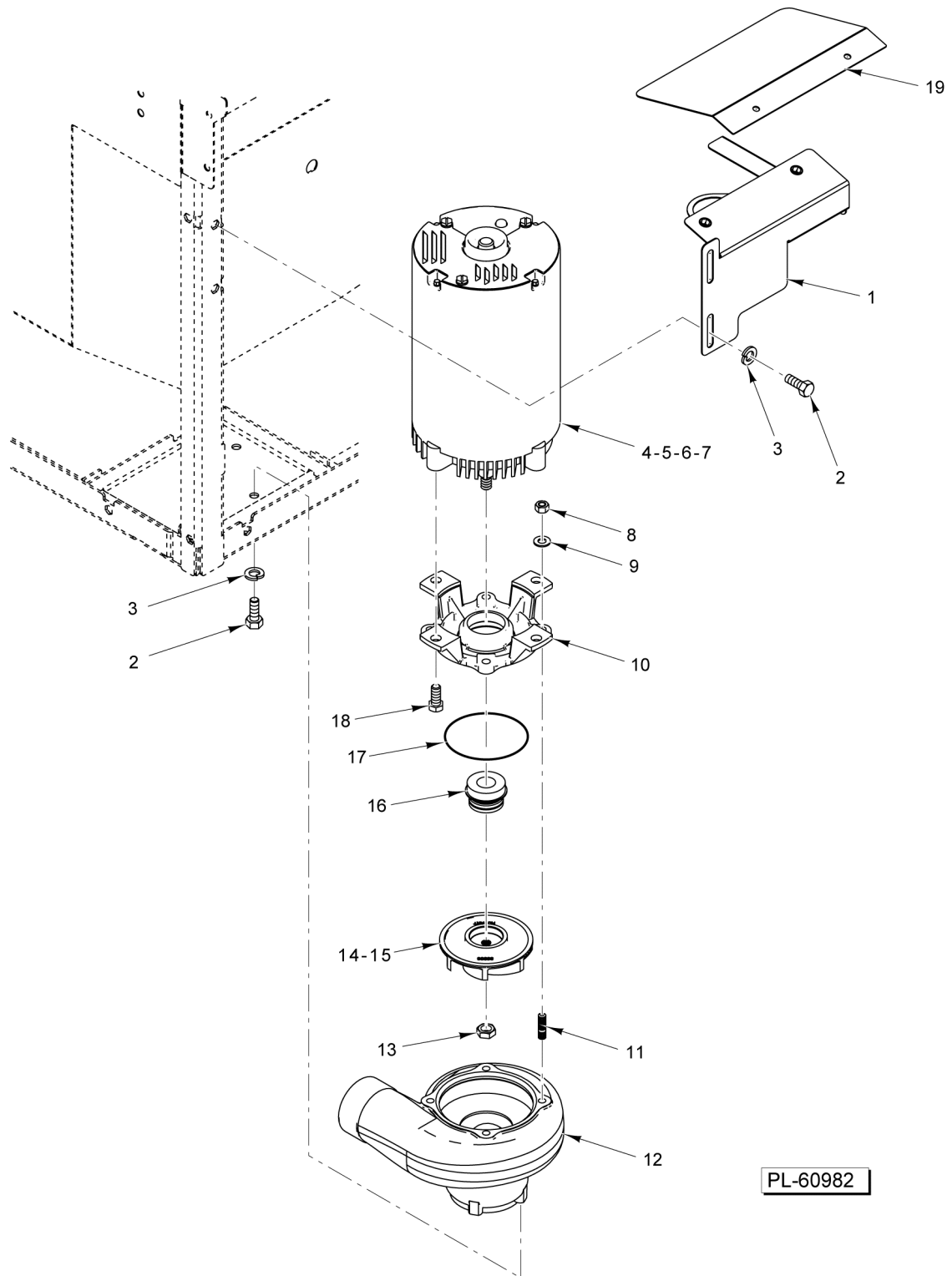


PL-60976

DOORS AND PANELS (CLPSEN)

DOORS AND PANELS (CLPSEN)

ILLUS. PL-60976	PART NO.	NAME OF PART	AMT.
1	00-936161	Strainer - Bucket.....	1
2	00-919509	Curtain - Splash (Short).....	1
3	00-919507	Rod - Curtain.....	1
4	00-974897-00002	Cap Screw 5/16-18 x 5/8 Hex Hd. (SST).....	2
5	00-946760-00002	Hinge - Door (Top).....	1
6	00-974793	Plate - Nut.....	1
7	00-974423-00001	Door Assy. (LH) (STD) (Incls. Items 11 thru 17 & 19).....	1
8	00-974423-00002	Door Assy. (LH) (HTS) (Incls. Items 11 thru 17 & 19).....	1
9	00-974422-00001	Door Assy. (RH) (STD) (Incls. Items 11 thru 16, 18, & 19).....	1
10	00-974422-00002	Door Assy. (RH) (HTS) (Incls. Items 11 thru 16, 18, & 19).....	1
11	00-974909	Bearing.....	2
12	00-815405	Handle - Door.....	1
13	SC-125-94	Mach. Screw 1/4-20 x 1 Phil. Truss Hd. (SST).....	2
14	00-814895	Retainer - Magnet.....	1
15	00-290160	Magnet.....	2
16	00-557950	Gasket.....	1
17	00-919958	Seal - Door Bottom (LH).....	1
18	00-919949	Seal - Door Bottom (RH).....	1
19	SC-125-85	Mach. Screw 1/4-20 x 5/8 Phil. Truss Hd. (SST).....	5
20	00-814633-00002	Mount - Reed Switch Weldment.....	1
21	NS-047-82	Stop Nut 1/4-20 Hex (SST).....	6
22	00-814624	Switch - Interlock.....	1
23	FE-022-40	Bushing - Electrical Snap.....	1
24	00-936266	Gasket - Hinge.....	1
25	00-935868	Pin - Hinge.....	1
26	00-935870	Panel - Front Trim.....	1
27	SC-125-15	Mach. Screw 1/4-20 x 1/2 Phil. Truss Hd.....	6
28	00-288946-00002	Foot - Adjustable (1-5/8) (SST).....	1
29	00-919875	Panel - Trim End (Left).....	1
30	00-919867	Panel - Trim End (Right).....	1
31	00-974761-00001	Strainer - Rear (Base & EGR).....	1
32	00-974761-00003	Strainer - Rear (R-L, ASR).....	1
33	00-974761-00006	Strainer - Rear (L-R, ASR).....	1
34	00-974760-00001	Strainer - Front (Base & EGR).....	1
35	00-974760-00003	Strainer - Front (ASR).....	1

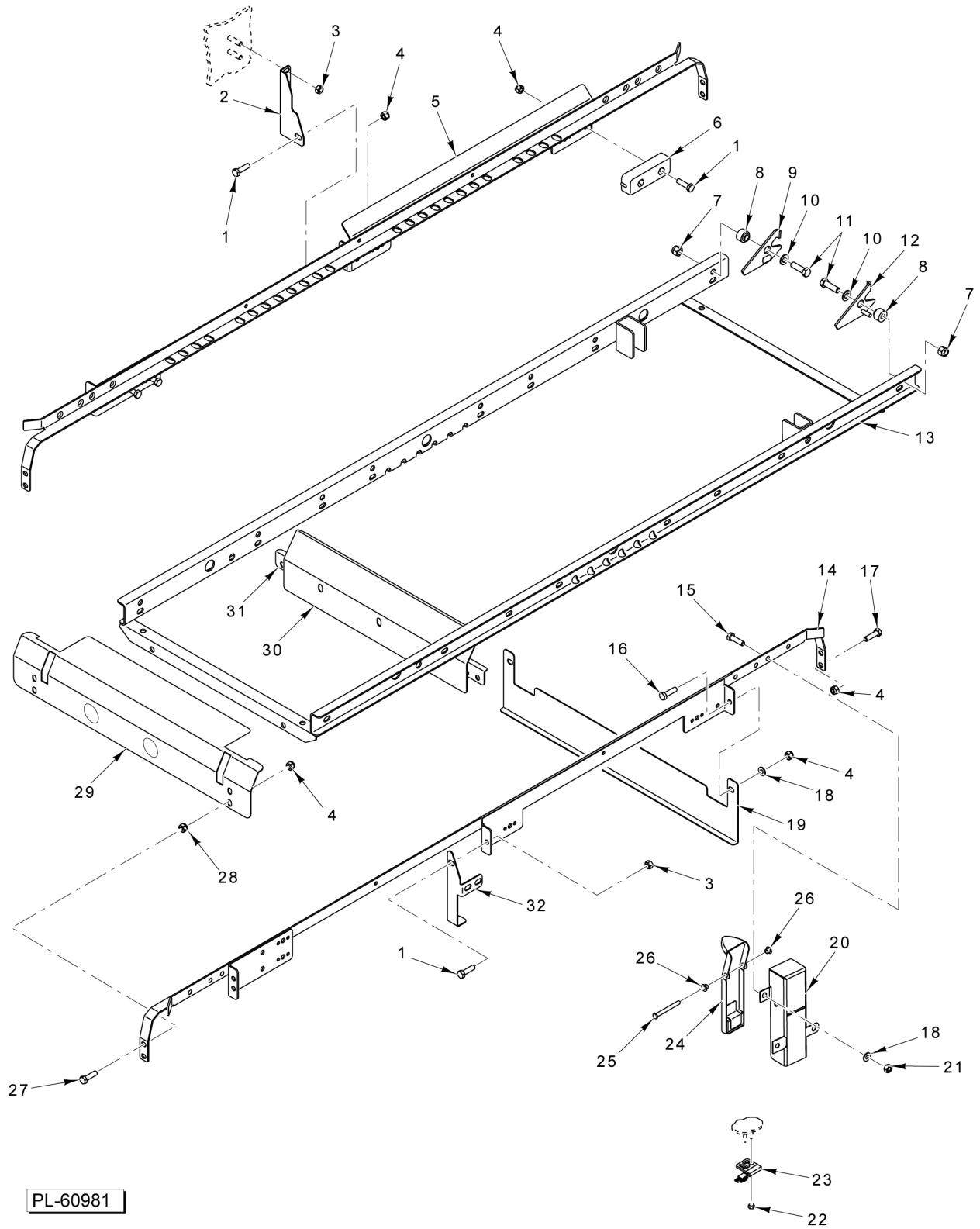


PL-60982

PREWASH MOTOR AND PUMP (CLPSEN)

PREWASH MOTOR AND PUMP (CLPSEN)

ILLUS.	PART NO.	NAME OF PART	AMT.
PL-60982			
1	00-936015-00002	Strap - Motor Support.....	1
2	SC-041-50	Cap Screw 1/4-20 x 1/2 Hex Hd. (SST).....	6
3	WL-006-17	Lockwasher 1/4 Helical (SST).....	6
4	00-893039-00008	Motor (208-240/480 V., 60 Hz., 3 Ph.).....	1
5	00-893039-00009	Motor (208-240 V., 60 Hz., 1 Ph.).....	1
6	00-893039-00010	Motor (240-380 V., 50 Hz., 3 Ph.).....	1
7	00-919229-00008	Motor (600 V., 60 Hz., 3 Ph.).....	1
8	NS-015-11	Nut 5/16-18 Hex (SST).....	4
9	WS-005-32	Washer (SST).....	4
10	00-919229-00001	Pump - Motor Adapter.....	1
11	00-919229-00003	Stud 5/16-18 x 1-1/8.....	4
12	00-919229-00002	Pump - Housing.....	1
13	00-893039-00003	Jam Nut 7/16-20 Hex.....	1
14	00-919229-00006	Impeller (60 Hz.).....	1
15	00-919229-00007	Impeller (50 Hz.).....	1
16	00-274227-00006	Seal - Shaft.....	1
17	00-067500-00152	O-Ring.....	1
18	SC-041-29	Cap Screw 3/8-16 x 7/8 Hex Hd. (SST).....	4
19	00-815462	Guard - Motor.....	1

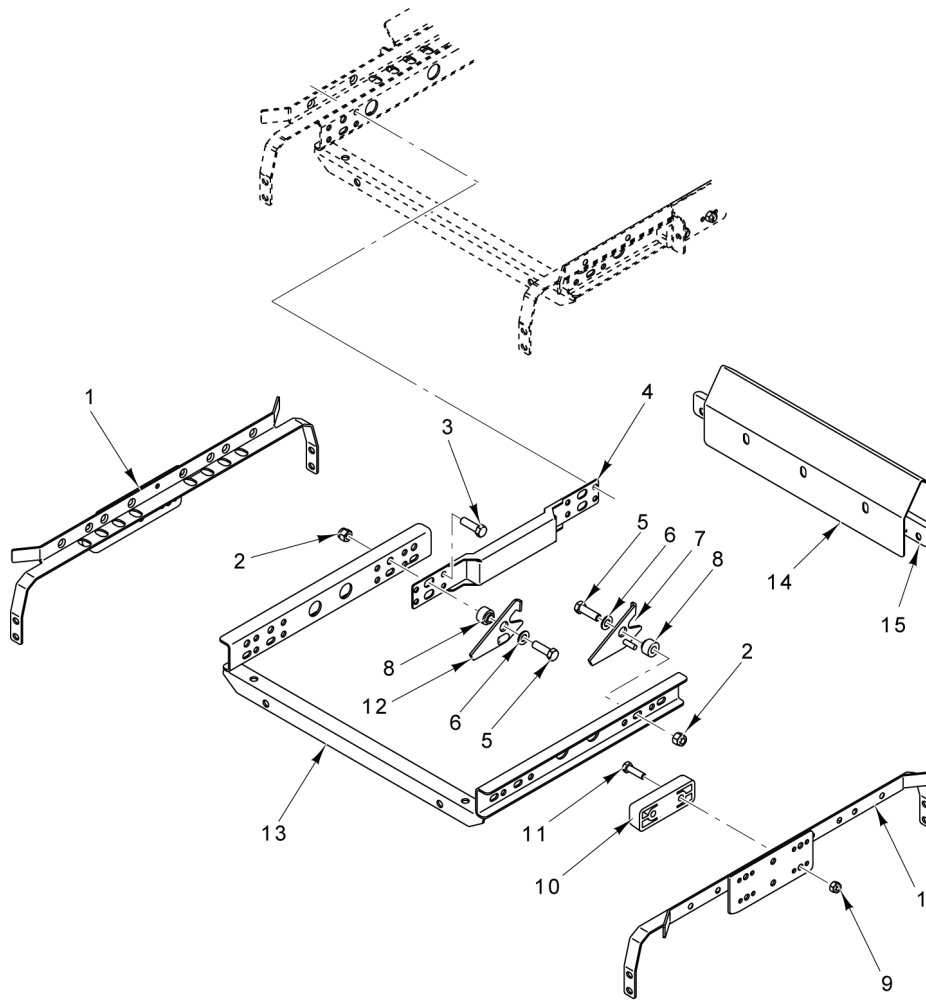


PL-60981

TRACK AND CRADLE (CLPS66EN)

TRACK AND CRADLE (CLPS66EN)

ILLUS. PL-60981	PART NO.	NAME OF PART	AMT.
1	SC-041-14	Cap Screw 5/16-18 x 1-1/8 Hex Hd. (SST).....	AR
2	00-936252	Track - Back Support.....	1
3	NS-031-19	Stop Nut 1/4-20 Hex (SST).....	AR
4	NS-036-19	Stop Nut 5/16-18 Hex (SST).....	AR
5	00-919832-00001	Rack - Track (66 In.) (Front R-L) (Rear L-R).....	1
6	00-936951	Slider - Large.....	4
7	NS-046-09	Stop Nut 3/8-16 (SST).....	8
8	00-270983	Spacer - Cradle Dog.....	8
9	00-436704-00001	Dog Pin (Front R-L; Rear L-R).....	4
10	WS-018-04	Washer (SST).....	8
11	SC-041-49	Cap Screw 3/8-16 x 1 Hex Hd. (SST).....	8
12	00-436704-00002	Dog Pin (Front L-R; Rear R-L).....	4
13	00-935969	Cradle (66 In.).....	1
14	00-919832-00002	Rack - Track (66 In.) (Front L-R) (Rear R-L).....	1
15	SC-022-40	Mach. Screw 1/4-20 x 3/4 Phil. Flat Hd. (SST).....	2
16	SC-041-05	Cap Screw 1/4-20 x 5/8 Hex Hd. (SST).....	2
17	SC-041-10	Cap Screw 5/16-18 x 5/8 Hex Hd. (SST).....	4
18	WS-017-06	Washer (SST).....	4
19	00-936185	Baffle - Rinse Area.....	1
20	00-936249	Shroud - Actuator.....	1
21	NS-047-82	Stop Nut 1/4-20 Hex (SST).....	2
22	NS-031-15	Stop Nut 10-24 Hex (SST).....	4
23	00-814641	Kit - Interlock Switch.....	1
24	00-919703	Actuator - Rinse Pivot.....	1
25	00-936369	Pin - Pivot SLIC.....	1
26	WS-017-06	Washer (SST).....	2
27	SC-041-11	Cap Screw 5/16-18 x 3/4 Hex Hd. (SST).....	4
28	NS-015-11	Nut 5/16-18 Hex (SST).....	4
29	00-936176	Baffle - Load.....	1
30	00-936186	Baffle - Tank Separator.....	1
31	00-935968	Support - Tank.....	1
32	00-936250	Track - Support.....	1

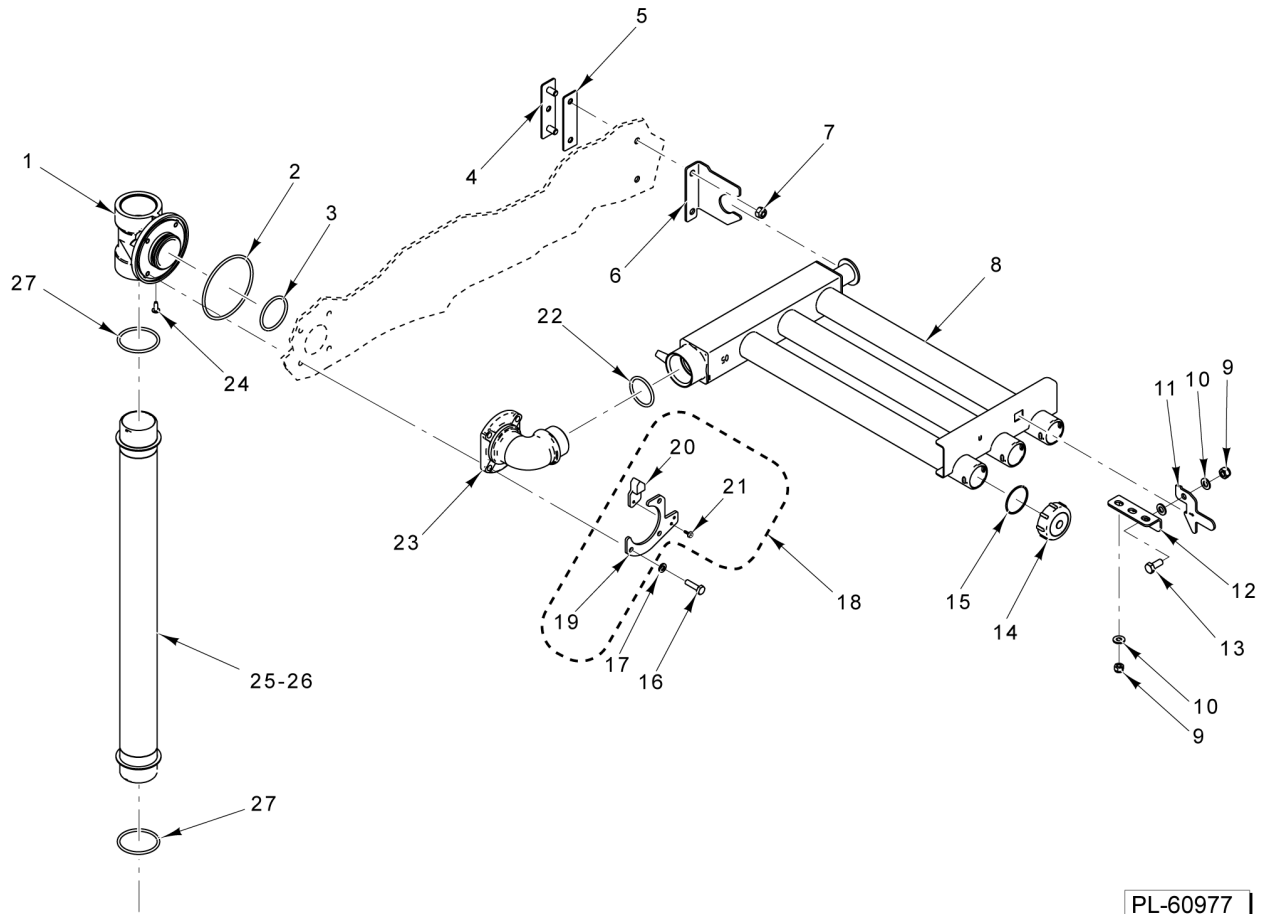


PL-60986

TRACK AND CRADLE (CLPS76/86EN)

TRACK AND CRADLE (CLPS76/86EN)

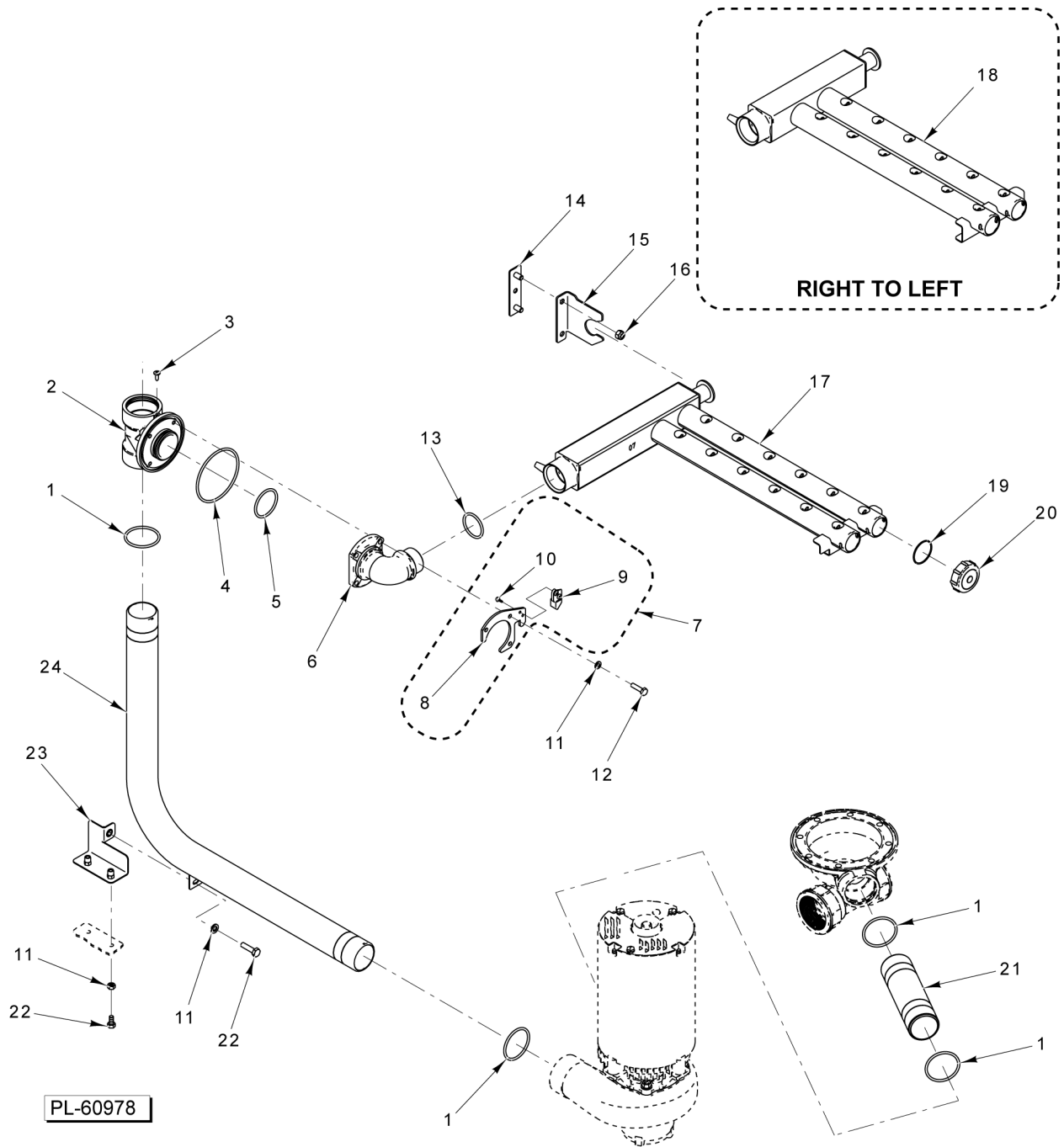
ILLUS.	PART NO.	NAME OF PART	AMT.
PL-60986			
1	00-919835-00001	Rack - Track (22 In.) (Use with CL54/64eN track rack).....	2
2	NS-046-09	Stop Nut 3/8-16 (SST).....	2
3	SC-041-05	Cap Screw 1/4-20 x 5/8 Hex Hd. (SST).....	AR
4	00-936307	Bracket - Push.....	2
5	SC-041-31	Cap Screw 3/8-16 x 1-1/4 Hex Hd. (SST).....	2
6	WS-018-04	Washer (SST).....	2
7	00-436704-00002	Dog Pin (Front L-R; Rear R-L).....	1
8	00-270983	Spacer - Cradle Dog.....	2
9	NS-036-19	Stop Nut 5/16-18 Hex (SST).....	2
10	00-814928	Slider.....	1
11	SC-041-14	Cap Screw 5/16-18 x 1-1/8 Hex Hd. (SST).....	2
12	00-436704-00001	Dog Pin (Front R-L; Rear L-R).....	1
13	00-919885	Cradle.....	1
14	00-936430	Baffle - Tank Separator.....	1
15	00-936317	Support - Tank.....	1



UPPER WASH ARM (CLPSEN)

UPPER WASH ARM (CLPSEN)

ILLUS.	PART NO.	NAME OF PART	AMT.
PL-60977			
1	00-919663-00001	Manifold - Elbow.....	1
2	00-067500-00132	O-Ring.....	1
3	00-067500-00019	O-Ring.....	1
4	00-936202	Plate - Mounting.....	1
5	00-814592	Gasket - Mounting Plate.....	1
6	00-919931	Bracket - Guide (Wash Arm).....	1
7	NS-036-19	Stop Nut 5/16-18 Hex (SST).....	2
8	00-936003	Arm - Wash (Upper).....	1
9	NS-047-82	Stop Nut 1/4-20 Hex (SST).....	4
10	WS-017-06	Washer (SST).....	5
11	00-919378	Latch.....	1
12	00-919379	Bracket - Latch.....	1
13	SC-041-01	Cap Screw 1/4-20 x 3/4 Hex Hd. (SST).....	1
14	00-919363	End Cap Assy. (Incls. Item 15).....	1
15	00-067500-00069	O-Ring.....	1
16	SC-041-02	Cap Screw 1/4-20 x 1 Hex Hd. (SST).....	4
17	WL-006-17	Lockwasher 1/4 Helical (SST).....	1
18	00-936222	Cam Plate Assy. (Incls. Items 19, 20, & 21).....	1
19	00-936168	Plate - Adjuster.....	1
20	00-936166	Block - Wear.....	1
21	00-893777-00001	Self-Tapping Screw 6-19 x 3/8 (Thread-Forming) (SST).....	2
22	00-067500-00014	O-Ring.....	1
23	00-919926	Manifold - Elbow.....	1
24	SD-038-84	Self-Tapping Screw 10-24 x 1/2 Phil. Truss Hd., Type F (SST).....	1
25	00-936020-00001	Tube - Feed (STD).....	1
26	00-936020-00002	Tube - Feed (HTS).....	1
27	00-067500-00057	O-Ring.....	2

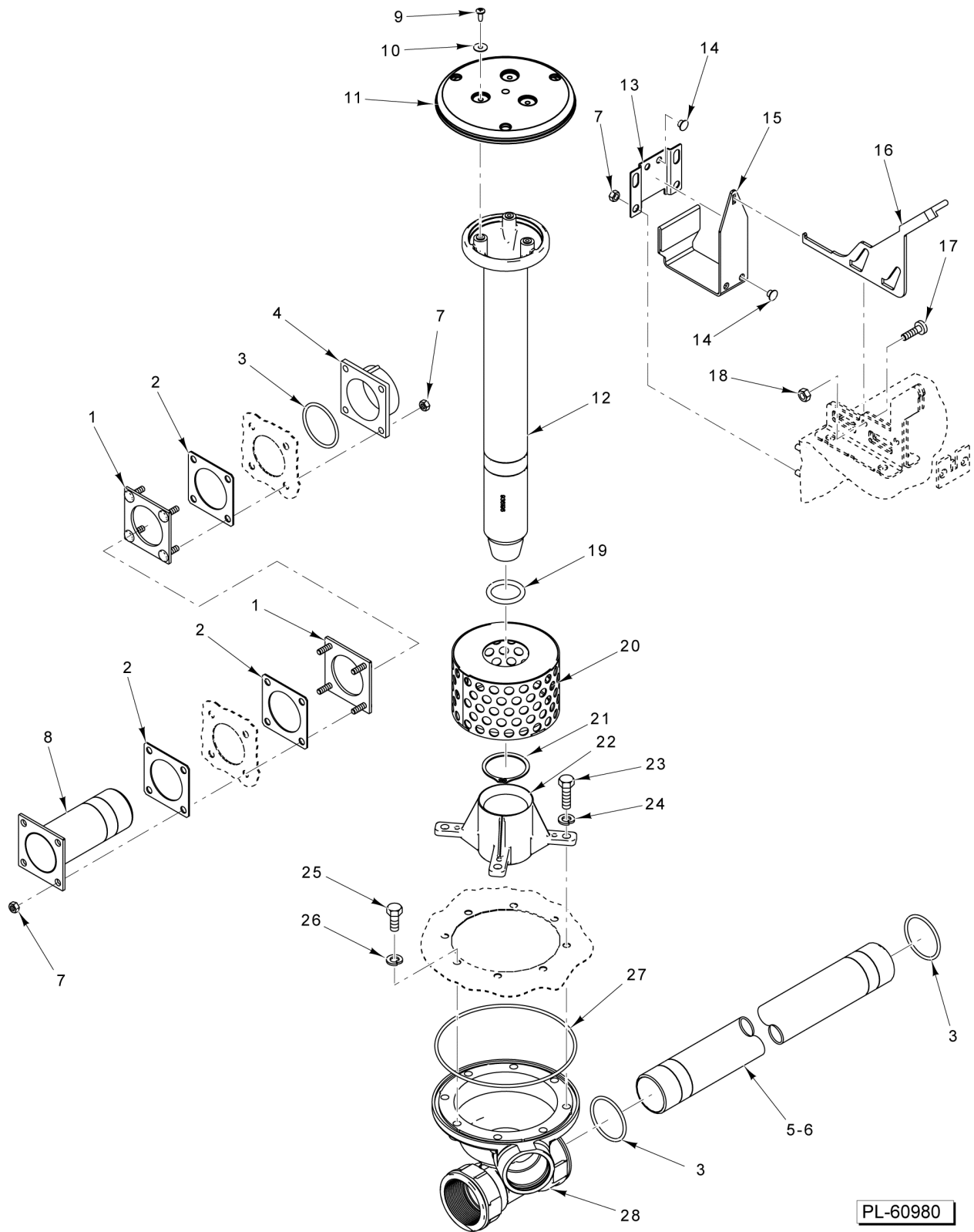


PL-60978

LOWER WASH ARM (CLPSEN)

LOWER WASH ARM (CLPSEN)

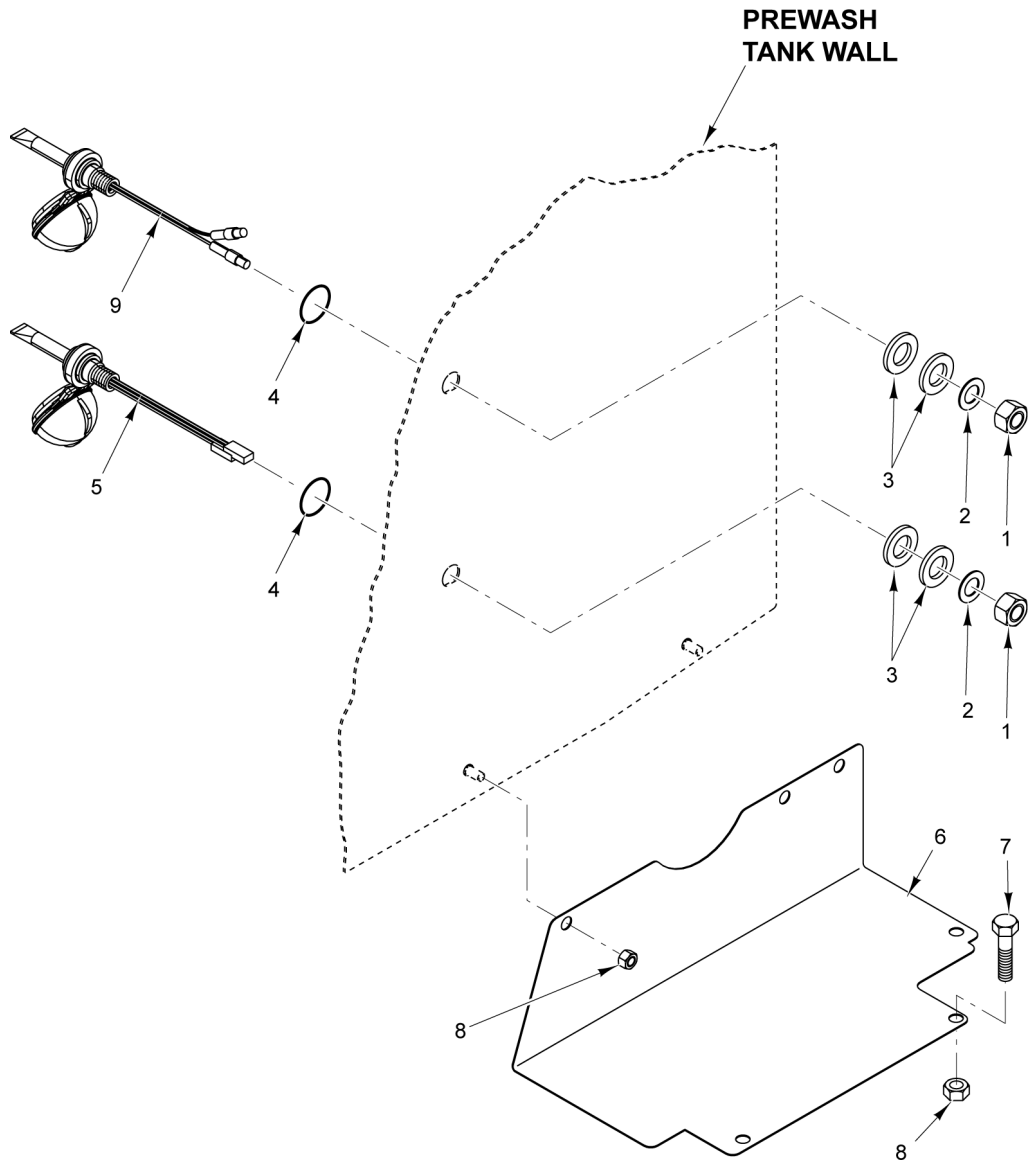
ILLUS.	PART NO.	NAME OF PART	AMT.
PL-60978			
1	00-067500-00057	O-Ring.....	4
2	00-919663-00002	Manifold - Tee.....	1
3	SD-038-84	Self-Tapping Screw 10-24 x 1/2 Phil. Truss Hd., Type F (SST).....	1
4	00-067500-00132	O-Ring.....	1
5	00-067500-00019	O-Ring.....	1
6	00-919926	Manifold - Elbow.....	1
7	00-936222	Cam Plate Assy. (Incls. Items 8, 9, & 10).....	1
8	00-936168	Plate - Adjuster.....	1
9	00-936166	Block - Wear.....	1
10	00-893777-00001	Self-Tapping Screw (Thread Forming).....	2
11	WL-006-17	Lockwasher 1/4 Helical (SST).....	7
12	SC-109-47	Cap Screw 1/4-20 x 7/8 Hex Hd. (SST).....	4
13	00-067500-00014	O-Ring.....	1
14	00-936202	Plate - Mounting.....	1
15	00-919931	Bracket - Guide (Wash Arm).....	1
16	NS-036-19	Stop Nut 5/16-18 Hex (SST).....	2
17	00-936151	Arm - Wash (Lower) (L-R).....	1
18	00-935995	Arm - Wash (Lower) (R-L).....	1
19	00-067500-00069	O-Ring.....	1
20	00-919363	End Cap Assy. (Incls Item 19).....	1
21	00-919738-00003	Tube - Feed.....	1
22	SC-041-50	Cap Screw 1/4-20 x 1/2 Hex Hd. (SST).....	3
23	00-936401-00001	Bracket - Wash Mount Assy.....	1
24	00-935979	Tube - Feed.....	1



DRAIN AND FLOWBACK (CLPSEN)

DRAIN AND FLOWBACK (CLPSEN)

ILLUS.	PART NO.	NAME OF PART	AMT.
PL-60980			
1	00-919806	Plate - Flowback.....	2
2	00-120603	Gasket - Seal Retainer.....	3
3	00-067500-00057	O-Ring.....	3
4	00-941711	Flange - Overflow.....	1
5	00-919738-00004	Tube - Drain to Drain (25 In.).....	1
6	00-919738-00006	Tube - Drain To Drain (23-15/16 In.).....	1
7	NS-031-19	Stop Nut 1/4-20 Hex (SST).....	12
8	00-919811	Tube - Flowback Weldment.....	1
9	SD-038-85	Self-Tapping Screw 10-24 x 3/4 Phil. Truss Hd. Type F (SST).....	3
10	WS-017-06	Washer (SST).....	3
11	00-936738	Cover - Standpipe.....	1
12	00-936196	Tube - Overflow.....	1
13	00-919790	Guide - Lift.....	1
14	00-936372	Button - Wear.....	4
15	00-974409	Lift - Guide.....	1
16	00-974411	Link - Lift.....	1
17	SC-130-42	Shoulder Screw 5/16 Dia. 1/4-20 x 1/2 Socket Hex Hd. (SST).....	2
18	NS-047-82	Stop Nut 1/4-20 Hex (SST).....	2
19	00-067500-00120	O-Ring.....	1
20	00-936223	Strainer - Overflow Weldment.....	1
21	RR-012-37	Retaining Ring.....	1
22	00-936247	Guide - Standpipe.....	1
23	SC-041-11	Cap Screw 5/16-18 x 3/4 Hex Hd. (SST).....	4
24	WS-017-08	Washer (0.328 x 0.625 x 0.062) (SST).....	4
25	SC-041-10	Cap Screw 5/16-18 x 5/8 Hex Hd. (SST).....	4
26	WL-006-23	Lockwasher 5/16 Helical (SST).....	4
27	00-067500-00136	O-Ring.....	1
28	00-919725	Drain.....	1

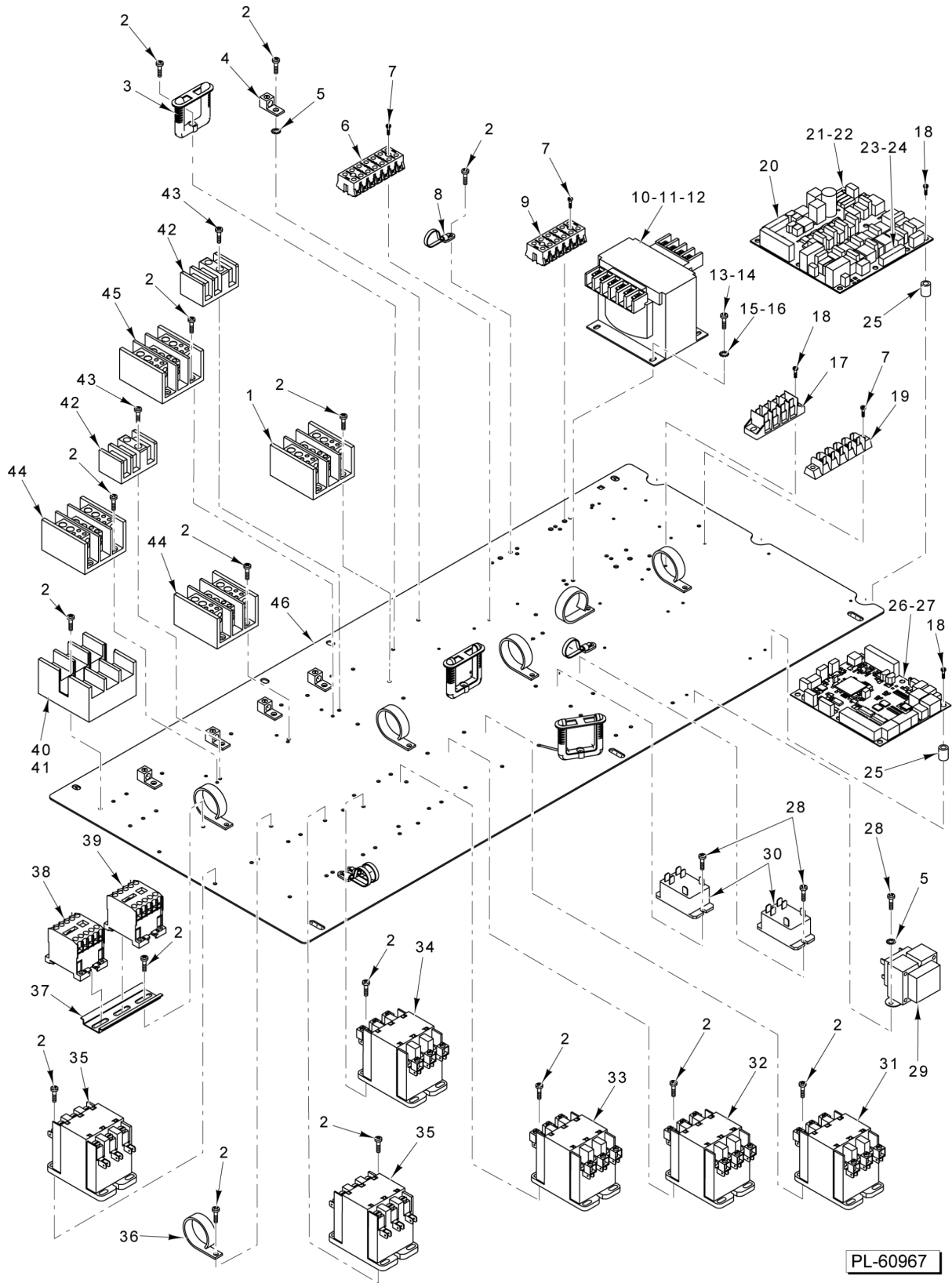


PL-60979

PREWASH TANK SENSOR (CLPSEN)

PREWASH TANK SENSOR (CLPSEN)

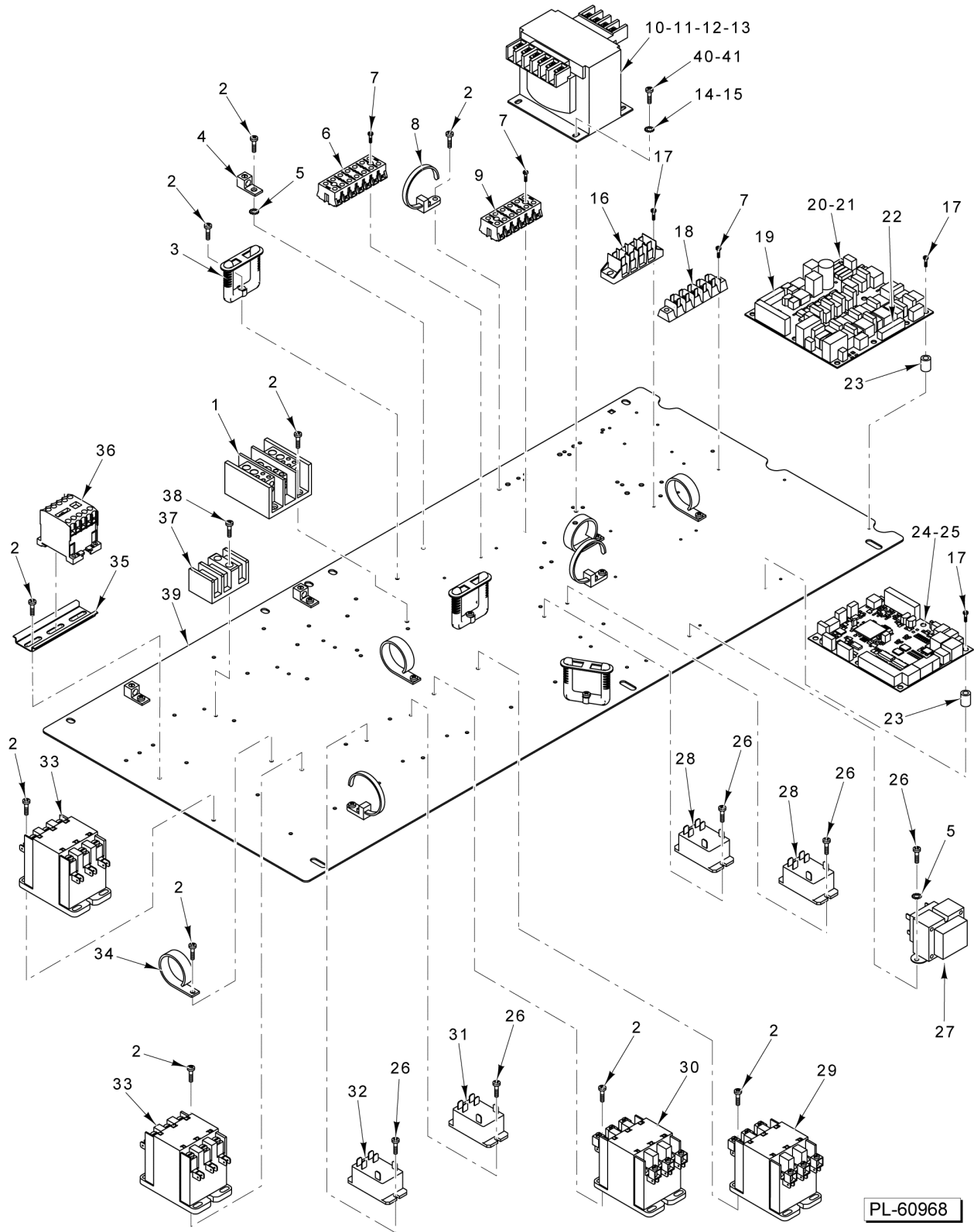
ILLUS.	PART NO.	NAME OF PART	AMT.
PL-60979			
1	NS-018-28	Jam Nut 1/2-20 Hex (SST).....	2
2	WL-014-31	Lockwasher 1/2 External Shakeproof (SST).....	2
3	WS-010-40	Washer - Thrust.....	4
4	00-067500-00072	O-Ring.....	2
5	00-936547-00004	Probe & Switch Assy.....	1
6	00-935871	Panel - Bottom.....	1
7	SC-041-05	Cap Screw 1/4-20 x 5/8 Hex Hd. (SST).....	2
8	NS-031-19	Stop Nut 1/4-20 Hex (SST).....	4
9	00-936547-00003	Probe & Switch Assy.....	1



COMPONENT PANEL (ELECTRIC)

COMPONENT PANEL (ELECTRIC)

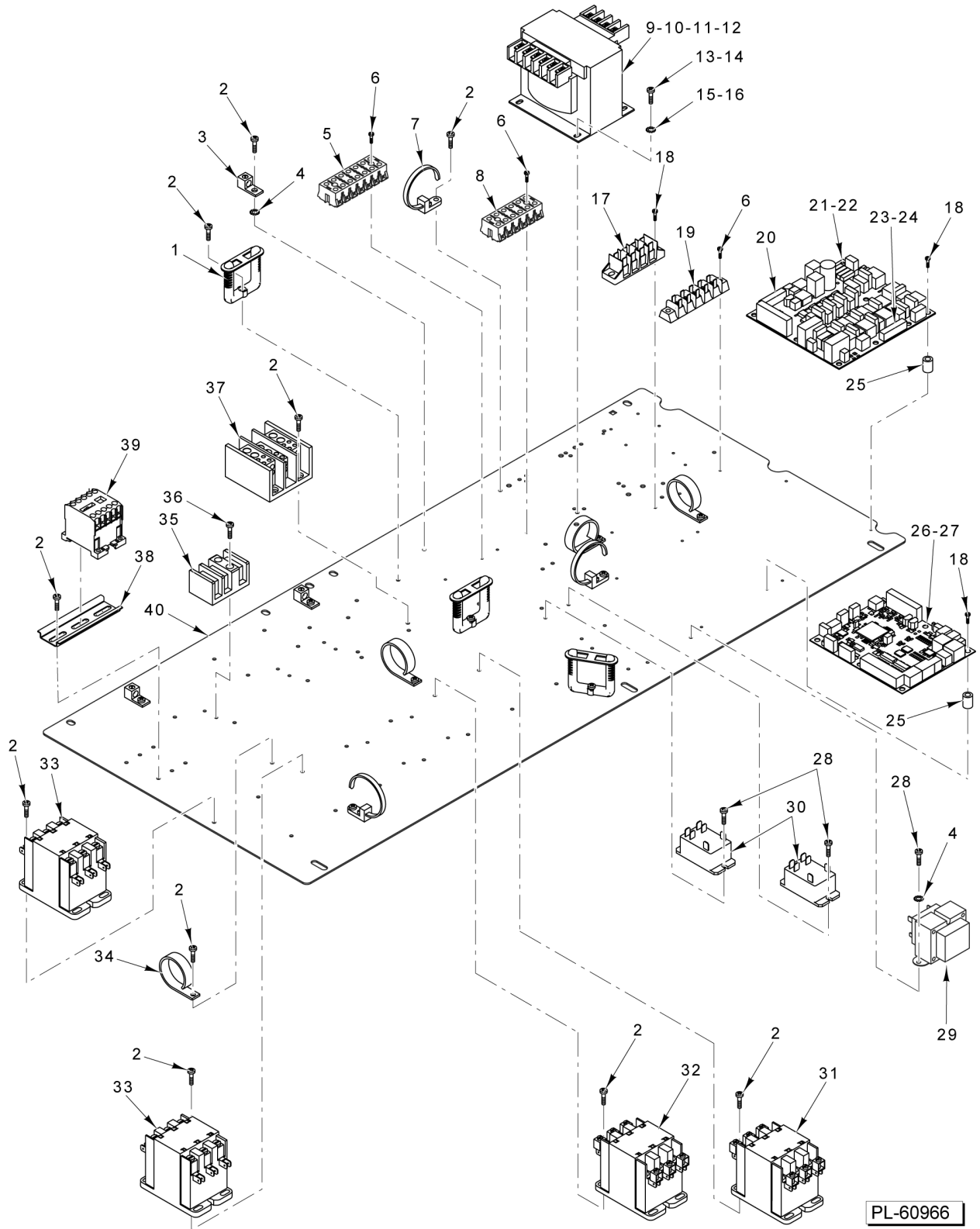
ILLUS. PL-60967	PART NO.	NAME OF PART	AMT.
1	00-119031	Block - Terminal (Booster Only).....	1
2	SD-008-25	Self-Tapping Screw 10-16 x 1/2 Phil. Pan Hd., Type B.....	AR
3	00-476946-00001	D-Clamp (With Keeper Bar).....	3
4	00-118544-00002	Lug - Grounding.....	AR
5	WL-014-07	Lockwasher #10 External Shakeproof (SST).....	AR
6	00-814301-00005	Block - Terminal.....	1
7	SD-019-29	Self-Tapping Screw 6-20 x 1/2 Phil. Pan Hd., Type B.....	AR
8	00-328678	Clamp - Tie.....	4
9	00-814301-00002	Block - Terminal.....	1
10	00-294500-046-1	Transformer (150 VA, 50/60 Hz.).....	1
11	00-294500-046-2	Transformer (300 VA, 50 Hz.).....	1
12	00-294500-024-4	Transformer (600 V.).....	1
13	SD-008-25	Self-Tapping Screw 10-16 x 1/2 Phil. Pan Hd., Type B (Use With Item 10 or 11).....	4
14	SD-035-17	Self-Tapping Screw 6-20 x 1/4 Phil. Rd. Hd., Type B (Use With Item 12).....	4
15	WL-014-07	Lockwasher #10 External Shakeproof (SST) (Use With Item 10 or 11).....	4
16	WL-007-15	Lockwasher 1/4 External Shakeproof (Use With Item 12).....	4
17	00-936138	Block - Terminal (Single Row).....	1
18	SD-038-02	Self-Tapping Screw 6-20 x 5/8 Phil. Pan Hd., Type B.....	AR
19	00-919742	Block - Terminal (Single Row).....	1
20	FE-016-40	Fuse (1.0 Amp., 250 V.) (F2).....	1
21	00-919472-00002	Board Assy. - Relay.....	1
22	00-941124	Barrier - Mylar.....	1
23	FE-022-39	Fuse (1.5 Amp.) (250 V.) (F1) (Use With 150 VA Transformer).....	1
24	FE-021-19	Fuse (3.2 Amp., 250 V.) (F1) (Use With 300 VA Transformer).....	1
25	00-476653	Spacer - Circuit Board.....	15
26	00-974835	Board Assy. - Control.....	1
27	00-918579	Cable - Jumper.....	1
28	SD-008-18	Self-Tapping Screw 8-18 x 3/8 Phil. Bndg. Hd., Type B.....	AR
29	00-294500-00056	Transformer (30 VA, 50/60 Hz.).....	1
30	00-087714-042-1	Relay (2-Pole) (120 VAC) (30 Amp.).....	2
31	00-918322	Contactactor (40 Amp., 3-Pole) (15 kW or 30 kW Booster Only).....	1
32	00-918322	Contactactor (40 Amp., 3-Pole) (30 kW Booster Only).....	1
33	00-918322	Contactactor (40 Amp., 3-Pole) (1 or 2 Tank).....	1
34	00-918322	Contactactor (40 Amp., 3-Pole) (CL64/86eN Tank).....	1
35	00-087713-040-2	Contactactor (30 Amp., 3-Pole).....	2
36	00-294677-00005	Clamp - Wire 1-1/2 In.....	8
37	00-949145-00003	Rail - Din.....	1
38	00-948104	Contactactor (8 Amp., 3-Pole) (DWER Only).....	1
39	00-948104	Contactactor (8 Amp., 3-Pole) (ASR Only).....	1
40	00-919528	Block - Fuse (3-Pole) (CL64/86eN 200-240 V., 50/60 Hz., 3 Ph.).....	1
41	FE-026-75	Fuse (40 Amp., 600 V.).....	3
42	00-294325-015-1	Block - Terminal (CL44/54/66/76eN).....	2
43	SD-008-36	Self-Tapping Screw 8-18 x 7/8 Phil. Rd. Hd., Type B.....	2
44	00-119031	Block - Terminal (CL64/86eN Tank).....	2
45	00-119031	Block - Terminal (CL44/54/66/76eN, 1 Ph. Only) (CL64/86eN) (1 or 2 Tank).....	1
46	00-974298	Base Plate - Control Box.....	1



**COMPONENT PANEL
(GAS HEAT)**

**COMPONENT PANEL
(GAS HEAT)**

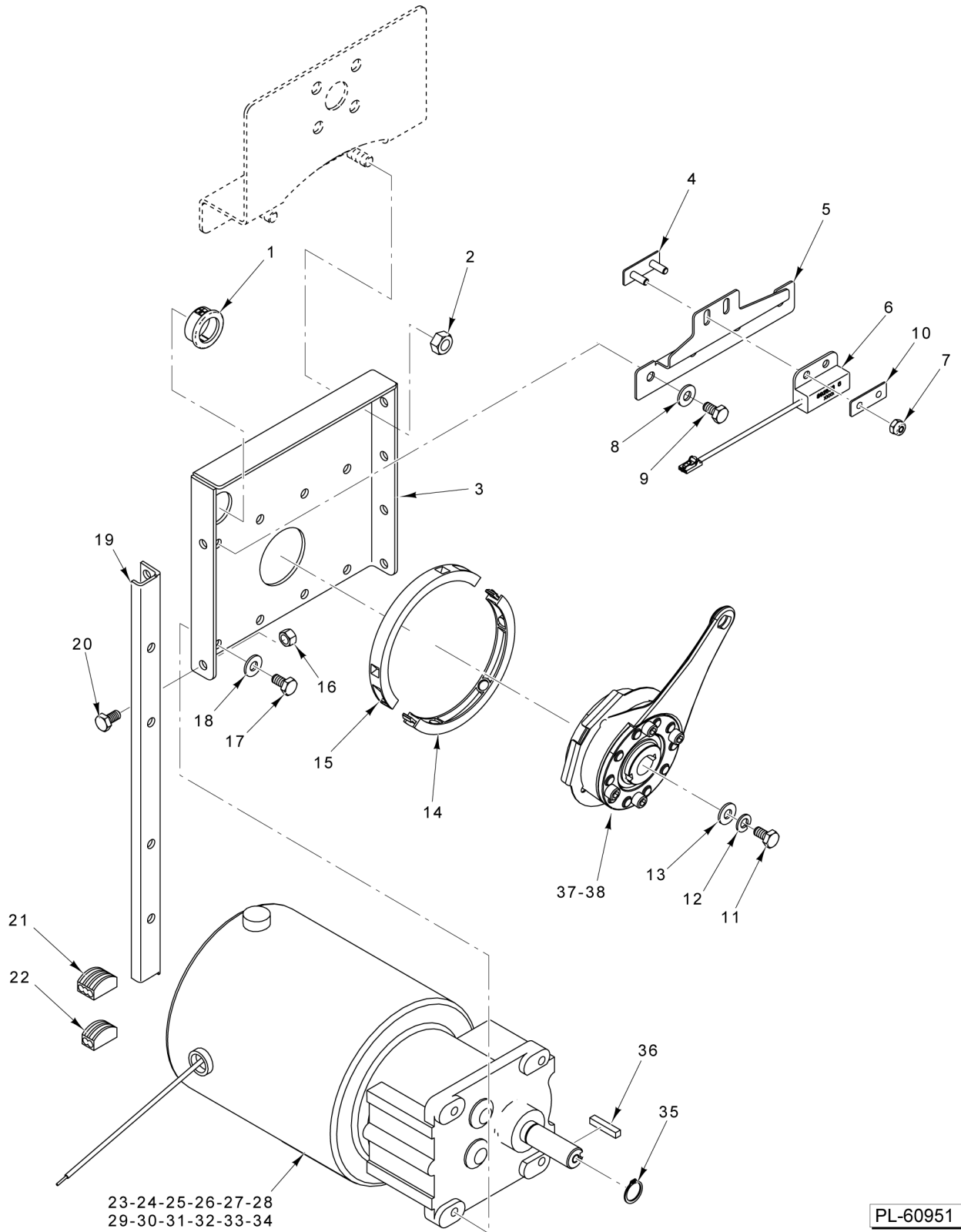
ILLUS. PL-60968	PART NO.	NAME OF PART	AMT.
1	00-119031	Block - Terminal (Booster Only).....	1
2	SD-008-25	Self-Tapping Screw 10-16 x 1/2 Phil. Pan Hd., Type B.....	AR
3	00-476946-00001	D-Clamp (With Keeper Bar).....	3
4	00-118544-00002	Lug - Grounding.....	AR
5	WL-014-07	Lockwasher #10 External Shakeproof (SST).....	AR
6	00-814301-00005	Block - Terminal.....	1
7	SD-019-29	Self-Tapping Screw 6-20 x 1/2 Phil. Pan Hd., Type B.....	AR
8	00-328678	Clamp - Tie.....	4
9	00-814301-00002	Block - Terminal.....	1
10	00-294500-046-3	Transformer (150 VA, 300 VA) (CL44/54/66/76eN) (Use Items 14 & 40).....	1
11	00-294500-00041	Transformer (150 VA, 300 VA) (CL64/86eN) (Use Items 14 & 40).....	1
12	00-294500-024-6	Transformer (600 VA) (CL44/54/66/76eN) (Use Items 15 & 41).....	1
13	00-294500-00042	Transformer (600 VA) (CL64/86eN) (Use Items 15 & 41).....	1
14	WL-014-07	Lockwasher #10 External Shakeproof (SST).....	4
15	WL-007-15	Lockwasher 1/4 External Shakeproof.....	4
16	00-936138	Block - Terminal (Single Row).....	1
17	SD-038-02	Self-Tapping Screw 6-20 x 5/8 Phil. Pan Hd., Type B.....	AR
18	00-919742	Block - Terminal (Single Row).....	1
19	FE-016-40	Fuse (1.0 Amp., 250 V.) (F2).....	1
20	00-919472-00002	Board Assy. - Relay.....	1
21	00-941124	Barrier - Mylar.....	1
22	FE-026-77	Fuse (6.25 Amp., 250 V.) (F1).....	1
23	00-476653	Spacer - Circuit Board.....	15
24	00-974835	Board Assy. - Control.....	1
25	00-918579	Cable - Jumper.....	1
26	SD-008-18	Self-Tapping Screw 8-18 x 3/8 Phil. Bndg. Hd., Type B.....	AR
27	00-294500-00056	Transformer (30 VA, 50/60 Hz.).....	1
28	00-087714-042-1	Relay (2-Pole) (120 VAC) (30 Amp.).....	2
29	00-918322	Contactactor (40 Amp., 3-Pole) (15 kW or 30 kW Booster Only).....	1
30	00-918322	Contactactor (40 Amp., 3-Pole) (30 kW Booster Only).....	1
31	00-087714-042-1	Relay (2-Pole) (120 VAC) (30 Amp.) (1 or 2 Tank).....	1
32	00-087714-042-1	Relay (2-Pole) (120 VAC) (30 Amp.) (CL64/86eN 2 Tank).....	1
33	00-087713-040-2	Contactactor (30 Amp., 3-Pole).....	2
34	00-294677-00005	Clamp - Wire 1-1/2 In.....	8
35	00-949145-00003	Rail - Din (DWER).....	1
36	00-948104	Contactactor (8 Amp., 3-Pole) (DWER).....	1
37	00-294325-015-1	Block - Terminal.....	1
38	SD-008-36	Self-Tapping Screw 8-18 x 7/8 Phil. Rd. Hd., Type B.....	2
39	00-974298	Base Plate - Control Box.....	1
40	SD-008-25	Self-Tapping Screw 10-16 x 1/2 Phil. Pan Hd., Type B.....	4
41	SD-035-17	Self-Tapping Screw 6-20 x 1/4 Phil. Rd. Hd., Type B.....	4



**COMPONENT PANEL
(STEAM HEAT)**

COMPONENT PANEL (STEAM HEAT)

ILLUS. PL-60966	PART NO.	NAME OF PART	AMT.
1	00-476946-00001	D-Clamp (With Keeper Bar).....	3
2	SD-008-25	Self-Tapping Screw 10-16 x 1/2 Phil. Pan Hd., Type B.....	AR
3	00-118544-00002	Lug - Grounding.....	AR
4	WL-014-07	Lockwasher #10 External Shakeproof (SST).....	AR
5	00-814301-00005	Block - Terminal.....	1
6	SD-019-29	Self-Tapping Screw 6-20 x 1/2 Phil. Pan Hd., Type B.....	2
7	00-328678	Clamp - Tie.....	3
8	00-814301-00002	Block - Terminal.....	1
9	00-294500-046-1	Transformer (150 VA) (Except Machines With Booster and Blower Dryer).....	1
10	00-294500-046-2	Transformer (300 VA) (Machines With Booster and Blower Dryer).....	1
11	00-294500-024-4	Transformer (600 VA) (Except Machines With Booster and Blower Dryer).....	1
12	00-294500-024-5	Transformer (600 VA) (Machines With Booster and Blower Dryer).....	1
13	SD-008-25	Self-Tapping Screw 10-16 x 1/2 Phil. Pan Hd., Type B (Use with Item 9 or 10).....	4
14	SD-035-77	Self-Tapping Screw 1/4-20 x 3/8 Phil. Pan Hd., Type TT (Use with Item 11 or 12).....	4
15	WL-014-07	Lockwasher #10 External Shakeproof (SST) (Use with Item 9 or 10).....	4
16	WL-007-15	Lockwasher 1/4 External Shakeproof (Use with Item 11 or 12).....	4
17	00-936138	Block - Terminal (Single Row).....	1
18	SD-038-02	Self-Tapping Screw 6-20 x 5/8 Phil. Pan Hd., Type B.....	AR
19	00-919742	Block - Terminal (Single Row).....	1
20	FE-016-40	Fuse (1.0 Amp., 250 V.) (F2).....	1
21	00-919472-00002	Board Assy. - Relay.....	1
22	00-941124	Barrier - Mylar.....	1
23	FE-022-39	Fuse (1.5 Amp.) (250 V.) (F1) (Use with Item 9 or 10).....	1
24	FE-021-19	Fuse (3.2 Amp., 250 V.) (F1) (Use with Item 11 or 12).....	1
25	00-476653	Spacer - Circuit Board.....	15
26	00-974835	Board Assy. - Control.....	1
27	00-918579	Cable - Jumper.....	1
28	SD-008-18	Self-Tapping Screw 8-18 x 3/8 Phil. Bndg. Hd., Type B.....	AR
29	00-294500-00056	Transformer (30 VA, 50/60 Hz.).....	1
30	00-087714-042-1	Relay (2-Pole) (120 VAC) (30 Amp.).....	2
31	00-918322	Contactactor (40 Amp., 3-Pole) (15 kW or 30 kW Booster Only).....	1
32	00-918322	Contactactor (40 Amp., 3-Pole) (30 kW Booster Only).....	1
33	00-087713-040-2	Contactactor (30 Amp., 3-Pole).....	2
34	00-294677-00005	Clamp - Wire 1-1/2 In.....	8
35	00-294325-015-1	Block - Terminal.....	1
36	SD-008-36	Self-Tapping Screw 8-18 x 7/8 Phil. Rd. Hd., Type B.....	2
37	00-119031	Block - Terminal (Booster Only).....	1
38	00-949145-00003	Rail - Din (DWER).....	1
39	00-948104	Contactactor (8 Amp., 3-Pole) (DWER).....	1
40	00-974298	Base Plate - Control Box.....	1

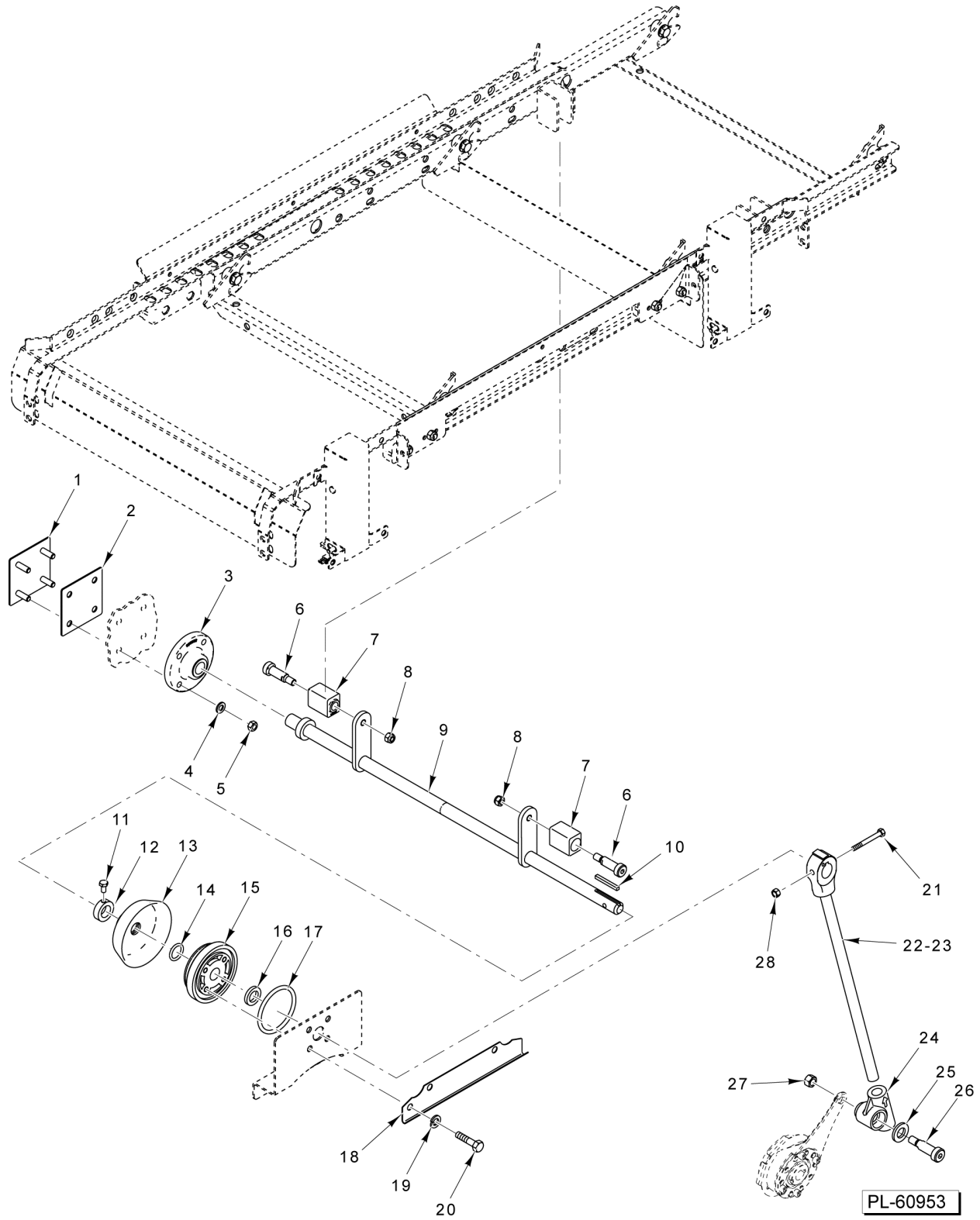


PL-60951

CONVEYOR DRIVE MOTOR

CONVEYOR DRIVE MOTOR

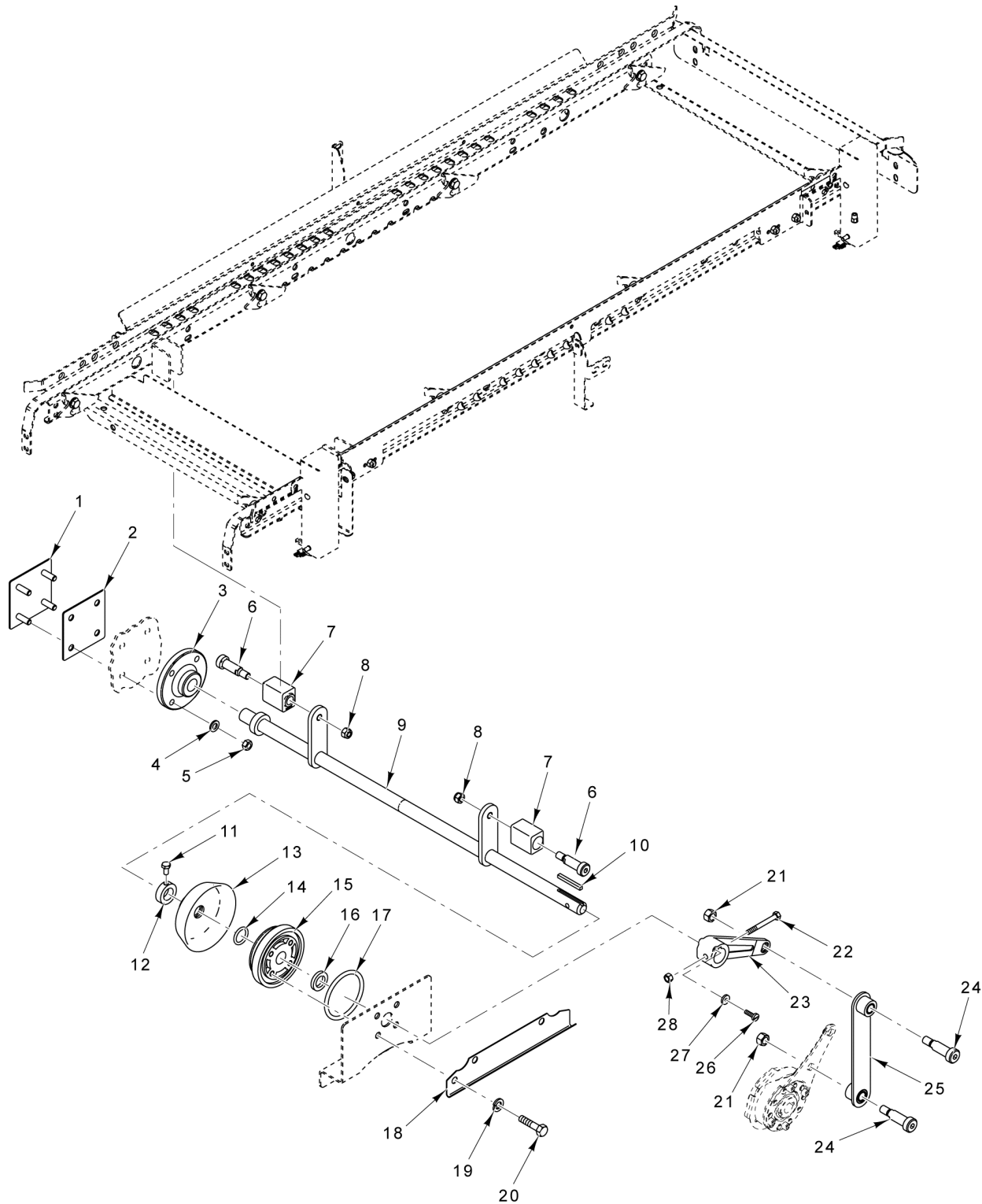
ILLUS.	PART NO.	NAME OF PART	AMT.
PL-60951			
1	FE-022-40	Bushing - Electrical Snap (3/4 In.).....	1
2	NS-036-19	Stop Nut 5/16-18 Hex (SST).....	2
3	00-919602	Bracket - Motor Mount.....	1
4	00-892570	Plate - Sensor Mounting.....	1
5	00-919697	Bracket - Sensor.....	1
6	00-892533	Sensor - Latching Hall.....	1
7	NS-031-15	Stop Nut 10-24 Hex (SST).....	2
8	WL-006-17	Lockwasher 1/4 Helical (SST).....	2
9	SC-041-05	Cap Screw 1/4-20 x 5/8 Hex Hd. (SST).....	2
10	00-892570-00002	Plate - Mounting (Sensor).....	1
11	SC-041-05	Cap Screw 1/4-20 x 5/8 Hex Hd. (SST).....	1
12	WL-006-17	Lockwasher 1/4 Helical (SST).....	1
13	WS-004-03	Washer.....	1
14	00-892024-00001	Housing Ring - Magnet (Male).....	1
15	00-892024-00002	Housing Ring - Magnet (Female).....	1
16	NS-036-19	Stop Nut 5/16-18 Hex (SST).....	2
17	SC-041-05	Cap Screw 1/4-20 x 5/8 Hex Hd. (SST).....	2
18	WL-006-17	Lockwasher 1/4 Helical (SST).....	2
19	00-919621	Support - Frame.....	1
20	SC-041-10	Cap Screw 5/16-18 x 5/8 Hex Hd. (SST).....	2
21	00-557975	Connector - Wire Terminal Block (3 Connector).....	1
22	00-557976	Connector - Wire Terminal Block (2 Connector).....	1
23	00-919978-00001	Motor - Conveyor Drive (200-230/460 V., 60 Hz., 3 Ph.) (CL44eN).....	1
24	00-919978-00002	Motor - Conveyor Drive (200-240 V., 60 Hz., 1 Ph.) (CL44eN).....	1
25	00-919978-00003	Motor - Conveyor Drive (220-240/380-415 V., 50 Hz., 3 Ph.) (CL44eN).....	1
26	00-919978-00004	Motor - Conveyor Drive (575 V., 60 Hz., 3 Ph.) (CL44eN).....	1
27	00-919978-00005	Motor - Conveyor Drive (200-230/460 V., 60 Hz., 3 Ph.) (CL54eN).....	1
28	00-919978-00006	Motor - Conveyor Drive (220-240 V., 60 Hz., 1 Ph.) (CL54eN).....	1
29	00-919978-00007	Motor - Conveyor Drive (220-240/380-415 V., 50 Ph., 3 Ph.) (CL54eN).....	1
30	00-919978-00008	Motor - Conveyor Drive (575 V., 60 Hz., 3 Ph.) (CL54eN).....	1
31	00-919978-00009	Motor - Conveyor Drive (200-230/460 V., 60 Hz., 3 Ph.) (CL64eN).....	1
32	00-919978-00010	Motor - Conveyor Drive (200-240 V., 60 Hz., 1 Ph.) (CL64eN).....	1
33	00-919978-00011	Motor - Conveyor Drive (220-240/380-415 V., 50 Hz., 3 Ph.) (CL64eN).....	1
34	00-919978-00012	Motor - Conveyor Drive (575 V., 60 Hz., 3 Ph.) (CL64eN).....	1
35	RR-012-36	Retaining Ring.....	1
36	00-012430-00087	Key (1-1/4 In. Lg.).....	1
37	00-941322-00002	Drive Clutch Assy. (6 Spring) (CL44/54eN).....	1
38	00-941322-00001	Drive Clutch Assy. (10 Spring) (CL64eN).....	1



CONVEYOR DRIVE (CL44/54EN)

CONVEYOR DRIVE (CL44/54EN)

ILLUS.	PART NO.	NAME OF PART	AMT.
PL-60953			
1	00-935985	Plate - Housing Bearing Mounting.....	1
2	00-814593	Gasket - Plate Bearing.....	1
3	00-941728	Bearing - Back Housing.....	1
4	WS-017-18	Washer.....	4
5	NS-036-19	Stop Nut 5/16-18 Hex (SST).....	4
6	SC-130-15	Shoulder Screw 3/8-16 x 1-1/4 Hex Socket Hd. (SST).....	2
7	00-919274	Slider - Conveyor Drive.....	2
8	NS-048-86	Lock Nut 3/8-16 Flexloc (SST).....	2
9	00-919800	Shaft - Drive.....	1
10	00-012430-00088	Key.....	1
11	SC-036-14	Cap Screw 1/4-20 x 1/2 Hex Hd.....	1
12	00-918993	Collar (Incls. Item 11).....	1
13	00-918957	Deflector - Bearing.....	1
14	00-067500-00151	O-Ring.....	1
15	00-941727-00001	Bearing - Front Housing.....	1
16	00-936177	Seal - Shaft.....	1
17	00-067500-00150	O-Ring.....	1
18	00-936103	Diverter - Water.....	1
19	WL-006-23	Lockwasher 5/16 Helical (SST).....	4
20	SC-041-10	Cap Screw 5/16-18 x 5/8 Hex Hd. (SST).....	4
21	SC-130-43	Cap Screw 1/4-20 x 1-3/4 Hex Hd. (SST).....	1
22	00-941145	Kit - Slider Rod (Incls. Items 24, 25, & 26).....	1
23	00-941156	Rod - Hub.....	1
24	00-936939	Slider - Rod.....	1
25	WS-019-39	Washer.....	1
26	SC-131-13	Shoulder Screw 1/2 Dia. x 1 Lg. 3/8-16 Hex Socket Hd. (SST).....	1
27	NS-015-13	Nut 3/8-16 Hex (SST).....	1
28	NS-047-82	Stop Nut 1/4-20 Hex (SST).....	1

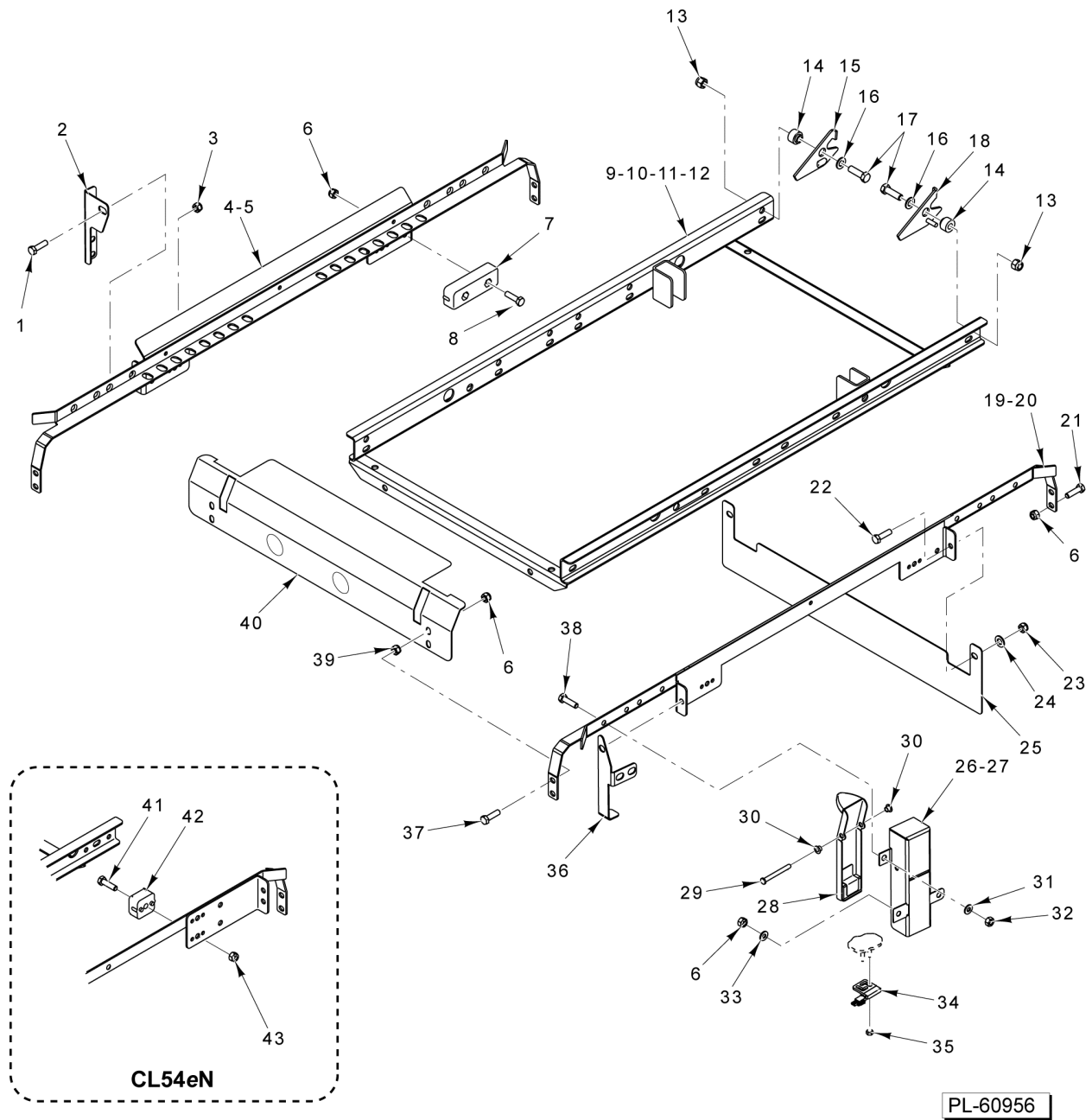


PL-60954

CONVEYOR DRIVE (CL64EN)

CONVEYOR DRIVE (CL64EN)

ILLUS.	PART NO.	NAME OF PART	AMT.
PL-60954			
1	00-935985	Plate - Housing Bearing Mounting.....	1
2	00-814593	Gasket - Plate Bearing.....	1
3	00-941728	Bearing - Back Housing.....	1
4	WS-017-18	Washer.....	4
5	NS-036-19	Stop Nut 5/16-18 Hex (SST).....	4
6	SC-130-15	Shoulder Screw 3/8-16 x 1-1/4 Hex Socket Hd. (SST).....	2
7	00-919274	Slider - Conveyor Drive.....	2
8	NS-036-19	Stop Nut 5/16-18 Hex (SST).....	2
9	00-919800	Shaft - Drive.....	1
10	00-012430-00088	Key.....	1
11	SC-036-14	Cap Screw 1/4-20 x 1/2 Hex Hd.....	1
12	00-918993	Collar (Incls. Item 11).....	1
13	00-918957	Deflector - Bearing.....	1
14	00-067500-00151	O-Ring.....	1
15	00-941727-00001	Bearing - Front Housing.....	1
16	00-936177	Seal - Shaft.....	1
17	00-067500-00150	O-Ring.....	1
18	00-936103	Diverter - Water.....	1
19	WL-006-23	Lockwasher 5/16 Helical (SST).....	4
20	SC-041-10	Cap Screw 5/16-18 x 5/8 Hex Hd. (SST).....	4
21	NS-015-13	Nut 3/8-16 Hex (SST).....	2
22	SC-130-43	Cap Screw 1/4-20 x 1-3/4 Hex Hd. (SST).....	1
23	00-936817	Lever - Drive.....	1
24	SC-131-13	Shoulder Screw 1/2 Dia. x 1 Lg. 3/8-16 Hex Socket Hd. (SST).....	2
25	00-936857	Arm Assy. - Connecting (Incls. Bushings).....	1
26	SC-053-01	Mach. Screw 10-24 x 1/4 Slotted Truss Hd.....	1
27	WS-017-01	Washer 0.328 x 0.875 x 0.062 (SST).....	1
28	NS-031-19	Stop Nut 1/4-20 Hex (SST).....	1

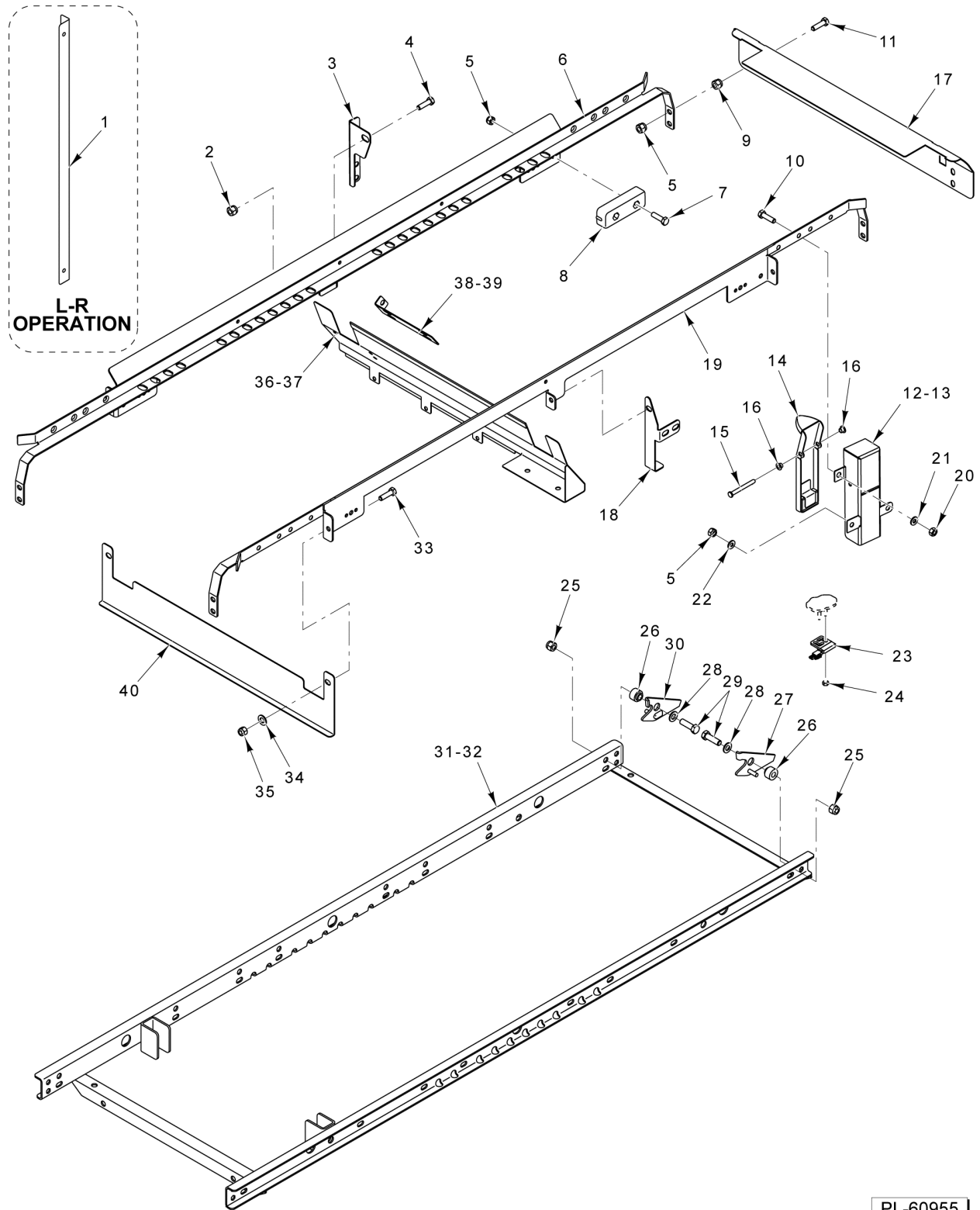


CONVEYOR (CL44/54EN)

CONVEYOR (CL44/54EN)

ILLUS.	PART NO.	NAME OF PART	AMT.
PL-60956			
1	SC-041-10	Cap Screw 5/16-18 x 5/8 Hex Hd. (SST) (CL54eN Only).....	3
2	00-936252	Track - Back Support (CL54eN Only).....	1
3	NS-015-11	Nut 5/16-18 Hex (SST) (CL54eN Only).....	3
4	00-919830-00001	Track - Rack (CL44eN) (Front & Back, R-L & L-R).....	2
5	00-919833-00002	Track - Rack (CL54eN) (Front, R-L; Back, L-R).....	1
6	NS-036-19	Stop Nut 5/16-18 Hex (SST).....	AR
7	00-814928	Slider.....	4
8	SC-041-14	Cap Screw 5/16-18 x 1-1/8 Hex Hd. (SST).....	8
9	00-919906-00001	Dog Cradle Assy. (CL44eN) (Incls. Items 11 & 13 thru 18).....	1
10	00-919911-00001	Dog Cradle Assy. (CL54eN) (Incls. Items 12 thru 18).....	1
11	00-919694	Cradle (CL44eN).....	1
12	00-936070	Cradle (CL54eN).....	1
13	NS-046-09	Stop Nut 3/8-16 (SST).....	6
14	00-270983	Spacer.....	6
*15	00-436704-00001	Dog Pin (Front R-L; Rear L-R).....	3
16	WS-018-04	Washer (SST).....	6
17	SC-041-49	Cap Screw 3/8-16 x 1 Hex Hd. (SST).....	6
*18	00-436704-00002	Dog Pin (Front L-R; Rear R-L).....	3
19	00-919830-00001	Track - Rack (CL44eN) (Front & Back, R-L & L-R).....	1
20	00-919833-00001	Track - Rack (CL54eN) (Front, L-R; Back, R-L).....	1
21	SC-041-10	Cap Screw 5/16-18 x 5/8 Hex Hd. (SST).....	4
22	SC-041-05	Cap Screw 1/4-20 x 5/8 Hex Hd. (SST).....	2
23	NS-031-19	Stop Nut 1/4-20 Hex (SST).....	2
24	WS-017-06	Washer (SST).....	2
25	00-936185	Baffle - Rinse Area.....	1
26	00-919704	Actuator Assy. - Pivot (Incls. Items 27 thru 30).....	2
27	00-936249	Shroud - Actuator.....	1
28	00-919703	Pivot - Rinse Actuator.....	1
29	00-936369	Pin - Pivot SLIC.....	1
30	WS-017-06	Washer (SST) (Current Construction).....	2
31	WS-017-06	Washer (SST).....	2
32	NS-047-82	Stop Nut 1/4-20 Hex (SST).....	2
33	WS-017-01	Washer 0.328 x 0.875 x 0.062 (SST).....	2
34	00-814641	Kit - Interlock Switch.....	2
35	NS-031-15	Stop Nut 10-24 Hex (SST).....	4
36	00-936250	Track - Support.....	1
37	SC-041-11	Cap Screw 5/16-18 x 3/4 Hex Hd. (SST).....	4
38	SC-022-40	Mach. Screw 1/4-20 x 3/4 Phil. Flat Hd. (SST).....	2
39	NS-015-11	Nut 5/16-18 Hex (SST).....	4
40	00-936176	Baffle - Load.....	1
41	SC-041-14	Cap Screw 5/16-18 x 1-1/8 Hex Hd. (SST).....	1
42	00-473232	Slider - Small.....	1
43	NS-036-19	Stop Nut 5/16-18 Hex (SST).....	1

* (CL54eN has four of these plus their associated parts.)

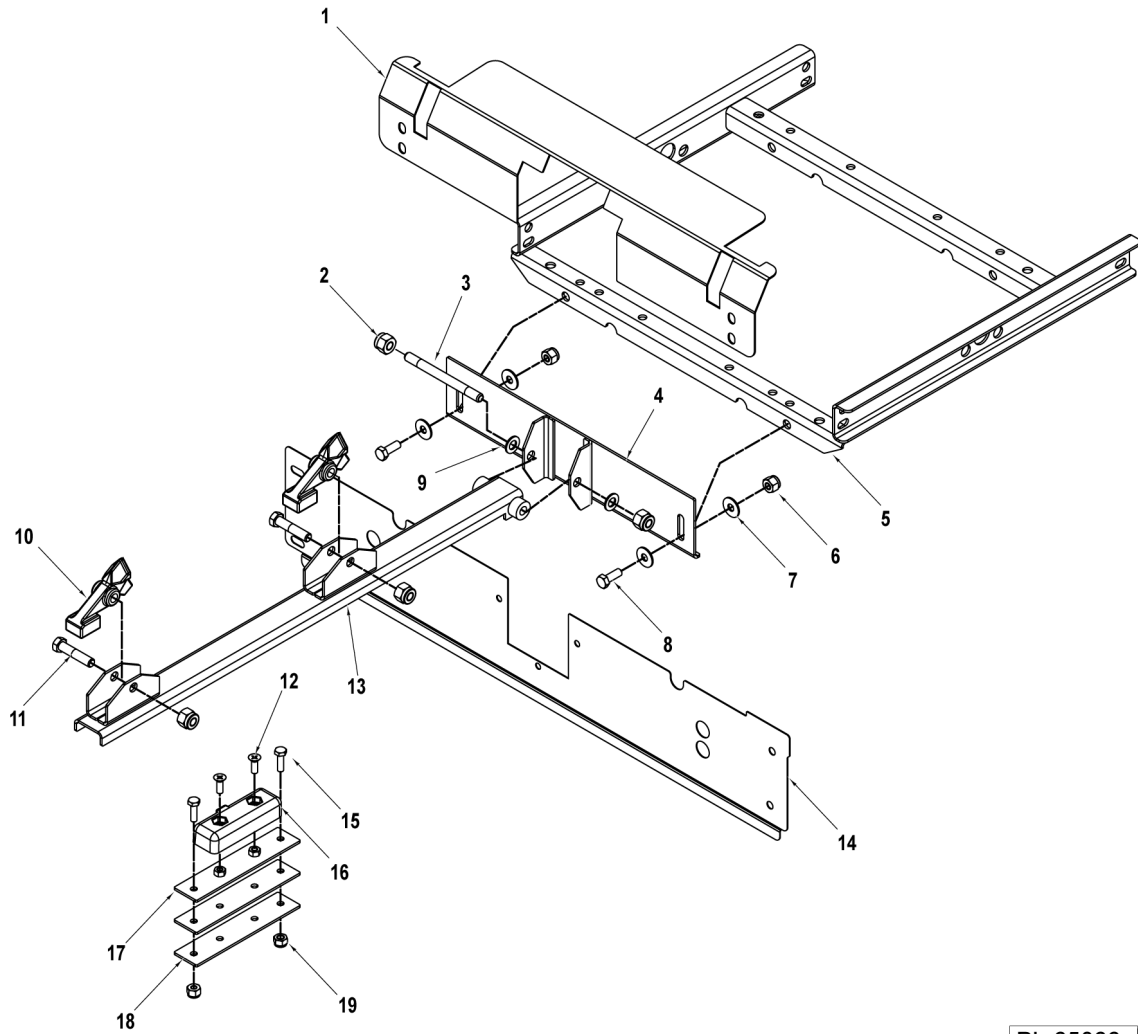


PL-60955

CONVEYOR (CL64EN)

CONVEYOR (CL64EN)

ILLUS.	PART NO.	NAME OF PART	AMT.
PL-60955			
1	00-936586	Baffle - Rear Chamber.....	1
2	NS-015-11	Nut 5/16-18 Hex (SST).....	3
3	00-936252	Track - Back Support.....	1
4	SC-041-10	Cap Screw 5/16-18 x 5/8 Hex Hd. (SST).....	3
5	NS-036-19	Stop Nut 5/16-18 Hex (SST).....	AR
6	00-919831-00001	Track - Rack.....	1
7	SC-041-14	Cap Screw 5/16-18 x 1-1/8 Hex Hd. (SST).....	8
8	00-814928	Slider.....	4
9	NS-015-11	Nut 5/16-18 Hex (SST).....	4
10	SC-022-40	Mach. Screw 1/4-20 x 3/4 Phil. Flat Hd. (SST).....	2
11	SC-041-11	Cap Screw 5/16-18 x 3/4 Hex Hd. (SST).....	4
12	00-919704	Actuator Assy. - Pivot (Incls. Items 13 thru 16).....	1
13	00-936249	Shroud - Actuator.....	1
14	00-919703	Pivot - Rinse Actuator.....	1
15	00-936369	Pin - Pivot SLIC.....	1
16	WS-017-06	Washer (SST).....	2
17	00-936176	Baffle - Load.....	1
18	00-936250	Track - Support.....	1
19	00-919831-00001	Track - Rack.....	1
20	NS-047-82	Stop Nut 1/4-20 Hex (SST).....	2
21	WS-017-06	Washer (SST).....	2
22	WS-017-01	Washer 0.328 x 0.875 x 0.062 (SST).....	2
23	00-814641	Kit - Interlock Switch.....	1
24	NS-031-15	Stop Nut 10-24 Hex (SST).....	2
25	NS-046-09	Stop Nut 3/8-16 (SST).....	8
26	00-270983	Spacer.....	8
27	00-436704-00002	Dog Pin (Front L-R; Rear R-L).....	4
28	WS-018-04	Washer (SST).....	8
29	SC-041-49	Cap Screw 3/8-16 x 1 Hex Hd. (SST).....	8
30	00-436704-00001	Dog Pin (Front R-L; Rear L-R).....	4
31	00-919002	Cradle.....	1
32	00-919907-00001	Dog Cradle Assy. (STD) (Incls. Items 25 thru 31).....	1
33	SC-041-05	Cap Screw 1/4-20 x 5/8 Hex Hd. (SST).....	2
34	WS-017-06	Washer (SST).....	2
35	NS-031-19	Stop Nut 1/4-20 Hex (SST).....	2
36	00-936569	Baffle - Water Return (R-L).....	1
37	00-936568	Baffle - Water Return (L-R).....	1
38	00-936593	Plate - Baffle Side (R-L).....	1
39	00-936570	Plate - Baffle Side (L-R).....	1
40	00-936185	Baffle - Rinse Area (Not Used On HTS eR Units).....	1

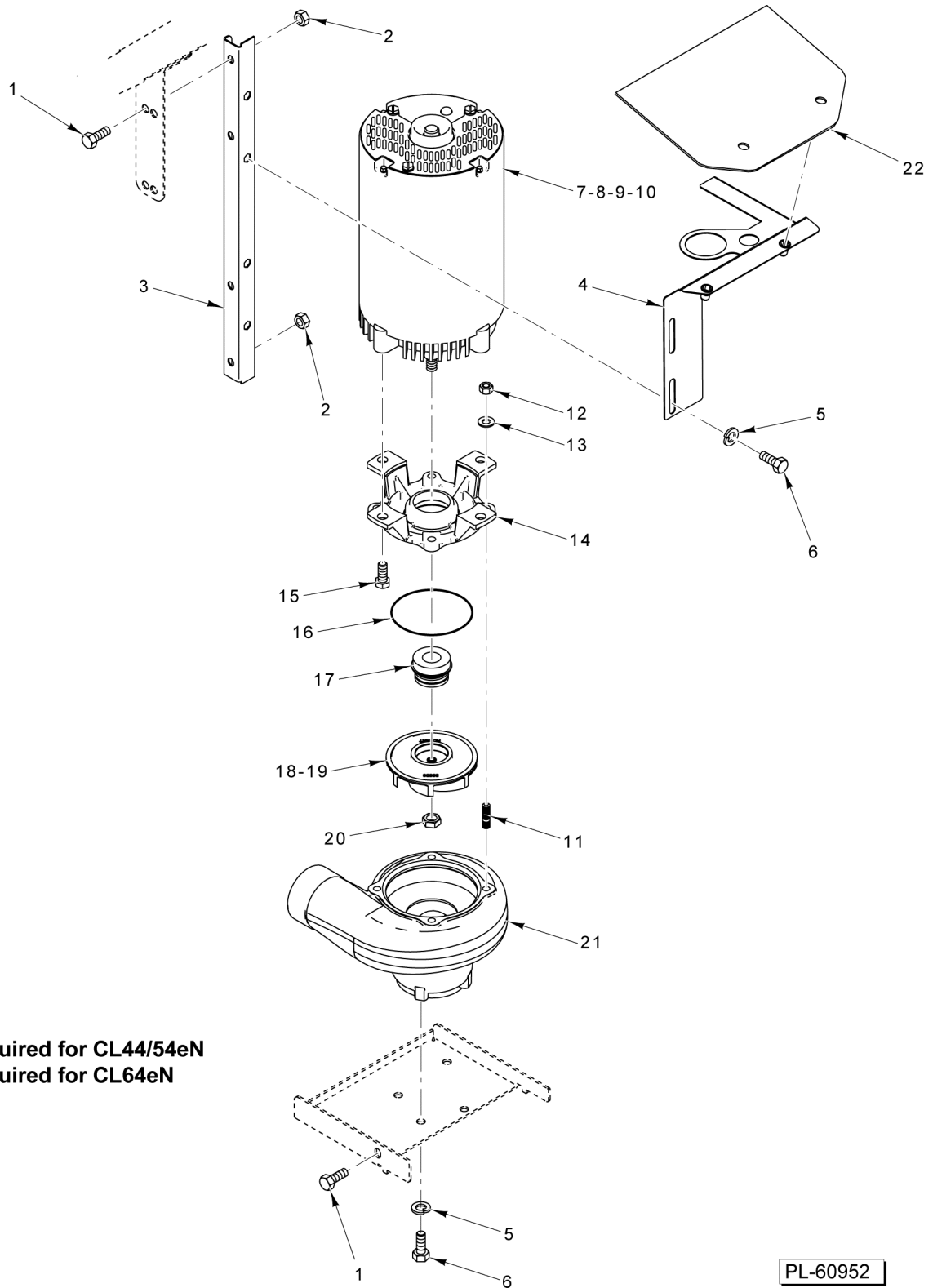


PL-65066

PAWL ASSEMBLY

PAWL ASSEMBLY

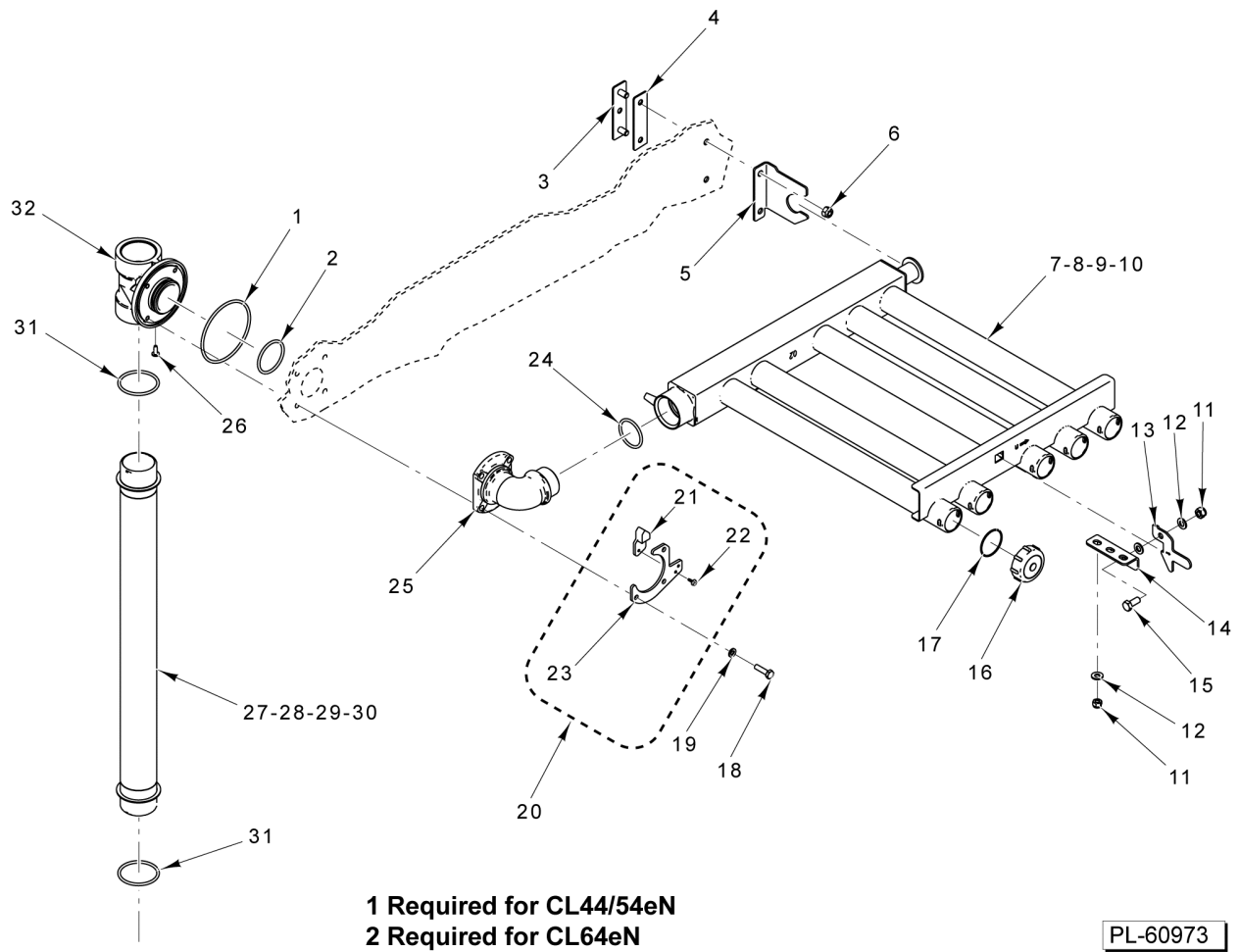
ILLUS.	PART NO.	NAME OF PART	AMT.
PL-65066			
1	00-814930	Baffle - Pawl Bar Load.....	1
2	NS-031-33	Stop Nut 3/8-16 Elastic.....	4
3	00-107941	Stud - Roller.....	1
4	00-814926	Weldment - Push Plate.....	1
5	00-936811	Cradle - Blower Dryer.....	1
6	NS-031-27	NLA - Obsolete--Stop Nut 5/16-18 (Elastic).....	2
7	WS-017-01	Washer 0.328 x 0.875 x 0.062 (SST).....	4
8	SC-041-12	Cap Screw 5/16-18 x 7/8 Hex Hd. (SST).....	2
9	WS-006-27	Washer (SST).....	2
10	00-112377	Dog.....	1
11	SC-041-33	Cap Screw 3/8-16 x 1 3/4 Hex Hd. (SST).....	2
12	SC-022-40	Mach. Screw 1/4-20 x 3/4 Phil. Flat Hd. (SST).....	2
13	00-814923	Weldment - Pawl Bar.....	1
14	00-814931	Trim - Pawl Bar Tank End.....	1
15	SC-109-47	Cap Screw 1/4-20 x 7/8 Hex Hd. (SST).....	2
16	00-814928	Slider.....	1
17	00-814929-00002	Plate - Mount.....	1
18	00-814929-00001	Spacer - Plate.....	AR
19	NS-031-19	Stop Nut 1/4-20 Hex (SST).....	2



WASH MOTOR AND PUMP

WASH MOTOR AND PUMP

ILLUS.	PART NO.	NAME OF PART	AMT.
PL-60952			
1	SC-041-10	Cap Screw 5/16-18 x 5/8 Hex Hd. (SST).....	2
2	NS-036-19	Stop Nut 5/16-18 Hex (SST).....	2
3	00-919621	Support - Frame.....	1
4	00-919631-00002	Support Strap - Motor.....	1
5	WL-006-17	Lockwasher 1/4 Helical (SST).....	6
6	SC-041-50	Cap Screw 1/4-20 x 1/2 Hex Hd. (SST).....	6
7	00-893039-00008	Motor (208-240/480 V., 60 Hz., 3 Ph.).....	1
8	00-893039-00009	Motor (208-240 V., 60 Hz., 1 Ph.).....	1
9	00-893039-00010	Motor (240-380 V., 50 Hz., 3 Ph.).....	1
10	00-919229-00008	Motor (600 V., 60 Hz., 3 Ph.).....	1
11	00-919229-00003	Stud 5/16-18 x 1-1/8.....	4
12	NS-015-11	Nut 5/16-18 Hex (SST).....	4
13	WS-005-32	Washer (SST).....	4
14	00-919229-00001	Adapter - Pump Motor.....	1
15	SC-041-29	Cap Screw 3/8-16 x 7/8 Hex Hd. (SST).....	4
16	00-067500-00152	O-Ring.....	1
17	00-274227-00006	Seal - Shaft.....	1
18	00-919229-00004	Impeller (60 Hz.).....	1
19	00-919229-00005	Impeller (50 Hz.).....	1
20	00-893039-00003	Jam Nut 7/16-20 Hex.....	1
21	00-919229-00002	Pump - Housing.....	1
22	00-974489	Shield.....	1



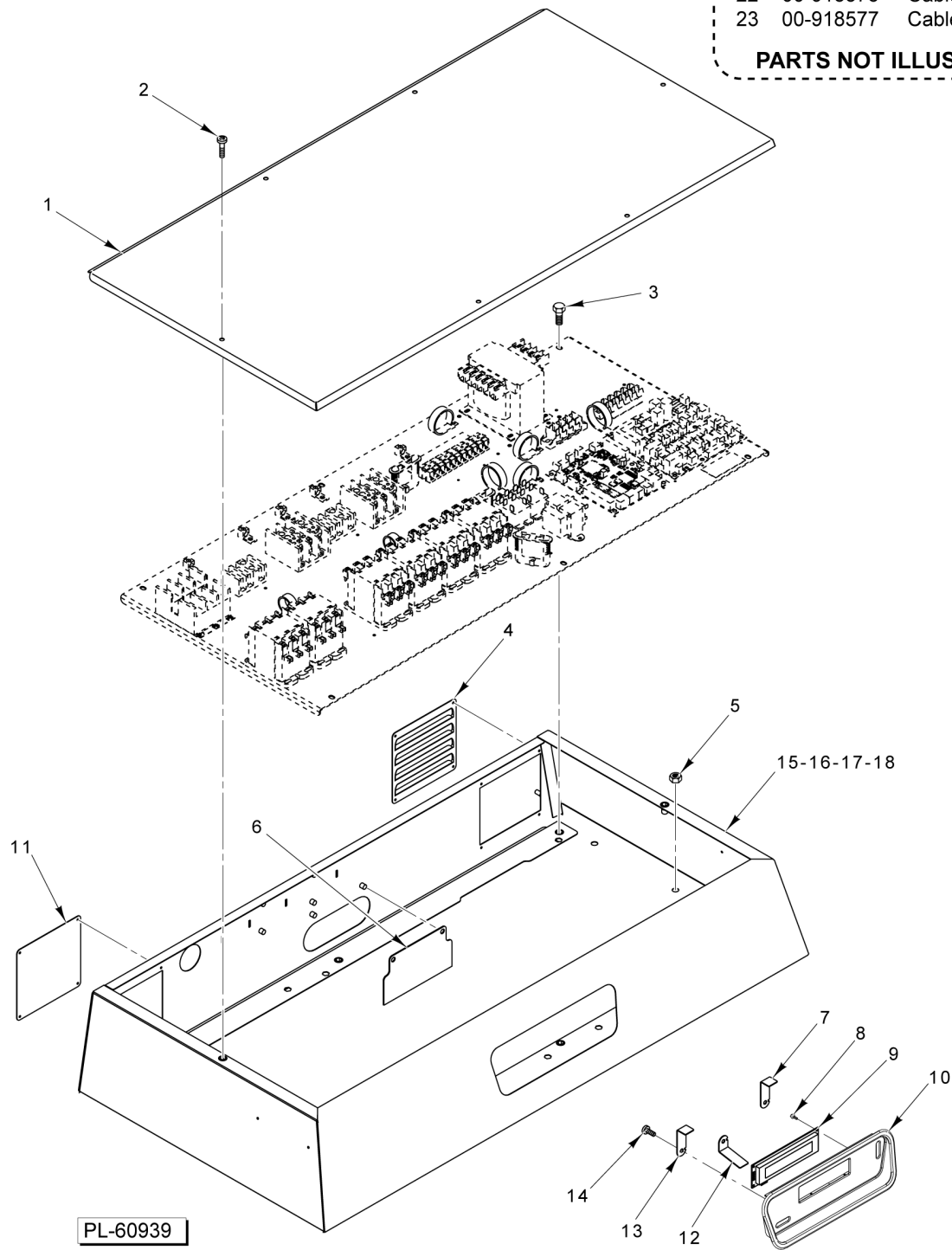
UPPER WASH ARM

UPPER WASH ARM

ILLUS. PL-60973	PART NO.	NAME OF PART	AMT.
1	00-067500-00132	O-Ring.....	1
2	00-067500-00019	O-Ring.....	1
3	00-936202	Plate - Mounting.....	1
4	00-814592	Gasket - Mounting Plate.....	1
5	00-919931	Bracket - Guide (Wash Arm).....	1
6	NS-036-19	Stop Nut 5/16-18 Hex (SST).....	2
7	00-936002	Arm - Upper Wash (L-R) (CL44/54eN).....	1
8	00-936146	Arm - Upper Power Rinse (L-R) (CL64eN).....	1
9	00-936001	Arm - Upper Wash (R-L) (CL44/54eN).....	1
10	00-936145	Arm - Upper Power Rinse (R-L) (CL64eN).....	1
11	NS-047-82	Stop Nut 1/4-20 Hex (SST).....	4
12	WS-017-06	Washer (SST).....	5
13	00-919378	Latch.....	1
14	00-919379	Bracket - Latch.....	1
15	SC-041-01	Cap Screw 1/4-20 x 3/4 Hex Hd. (SST).....	1
16	00-919363	End Cap Assy. (Incls. Item 17).....	5
17	00-067500-00069	O-Ring.....	5
18	SC-041-02	Cap Screw 1/4-20 x 1 Hex Hd. (SST).....	4
19	WL-006-17	Lockwasher 1/4 Helical (SST).....	4
20	00-936222	Cam Plate Assy. (Incls. Items 21, 22, & 23).....	1
21	00-936166	Block - Wear.....	1
22	00-893777-00001	Self-Tapping Screw (Thread Forming).....	2
23	00-936168	Plate - Adjuster.....	1
24	00-067500-00014	O-Ring.....	1
25	00-919926	Manifold - Elbow.....	1
26	SD-038-84	Self-Tapping Screw 10-24 x 1/2 Phil. Truss Hd., Type F (SST).....	1
27	00-936020-00001	Tube - Wash Feed (Upper) (STD) (L-R).....	1
28	00-936020-00002	Tube - Wash Feed (Upper) (HTS) (L-R).....	1
29	00-936021-00001	Tube - Wash Feed (Offset) (STD) (R-L).....	1
30	00-936021-00002	Tube - Wash Feed (Offset) (HTS) (R-L).....	1
31	00-067500-00057	O-Ring.....	2
32	00-919663-00001	Manifold - Elbow.....	1

19	00-974826	Label - Sanitation
20	00-974827	Label - Sanitation
21	00-974828	Label - Sanitation
22	00-918576	Cable - Ribbon
23	00-918577	Cable - Ribbon

PARTS NOT ILLUSTRATED

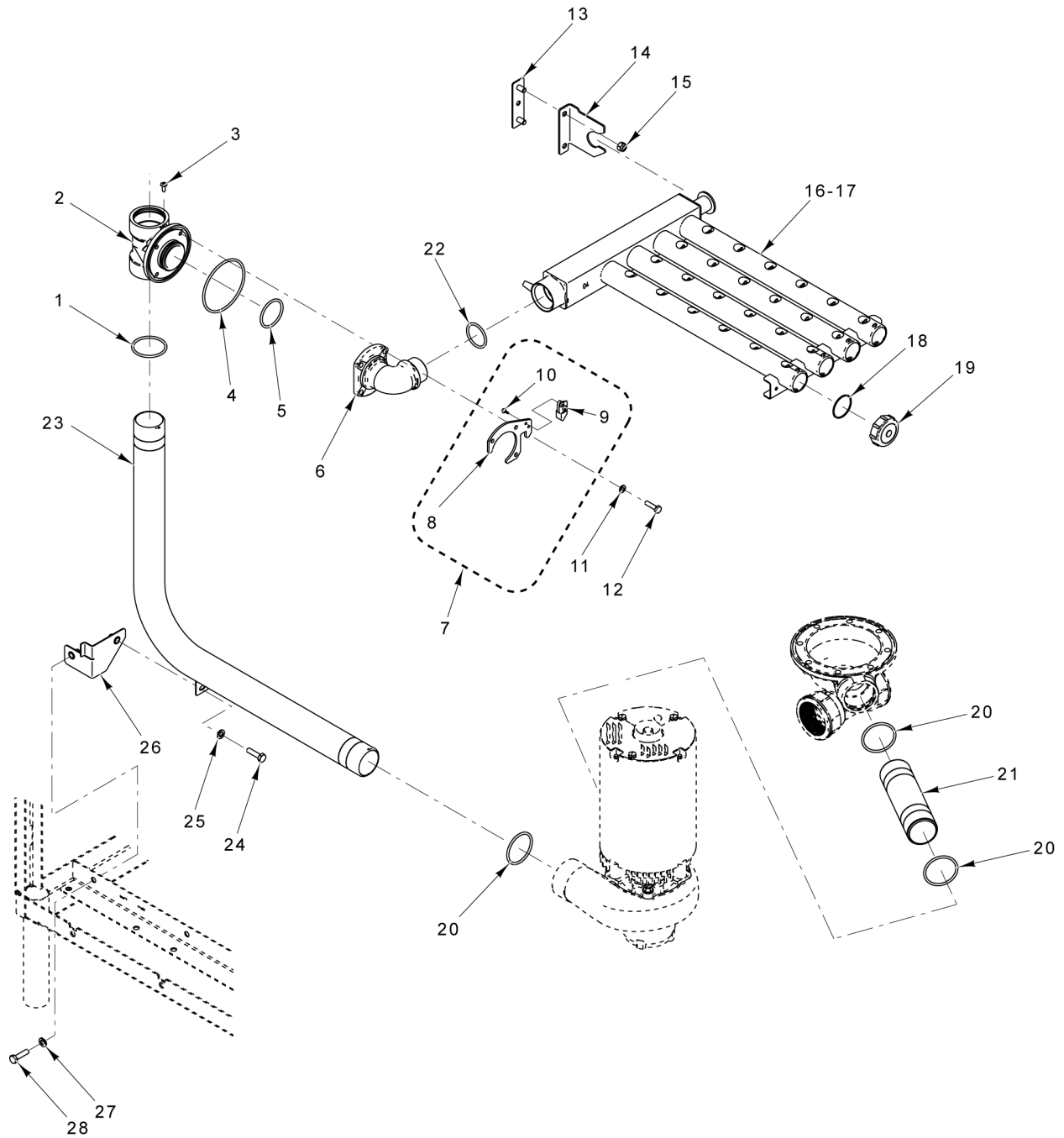


PL-60939

CONTROL BOX

CONTROL BOX

ILLUS.	PART NO.	NAME OF PART	AMT.
PL-60939			
1	00-974312	Lid - Control Box (Incls. Gasket).....	1
2	SC-125-15	Mach. Screw 1/4-20 x 1/2 Phil. Truss Hd.....	6
3	SC-041-05	Cap Screw 1/4-20 x 5/8 Hex Hd. (SST).....	6
4	00-814952-00001	Plate - Control Box (Louvered).....	1
5	NS-031-19	Stop Nut 1/4-20 Hex (SST).....	7
6	00-814956	Gasket - Control Box (Louvered).....	1
7	00-919938	Bracket - Bezel Mounting.....	1
8	00-893777-00001	Self-Tapping Screw (Thread Forming).....	4
9	00-918409	Display - Graphic 140 x 16.....	1
10	00-815719	Bezel - Keypad Assy. (CLeN).....	1
11	00-814952-00002	Plate - Control Box.....	1
12	00-936154	Bracket - Lower Bezel Mounting.....	1
13	00-919938	Bracket - Bezel Mounting.....	1
14	SC-066-05	Mach. Screw 10-24 x 3/8 Phil. Truss Hd. (SST).....	3
15	00-815706-00001	Control Box (One Tank, R-L) (CL44/54eN).....	1
16	00-815706-00002	Control Box (One Tank, L-R) (CL44/54eN).....	1
17	00-815706-00003	Control Box (Two Tanks, R-L) (CL64eN).....	1
18	00-815706-00004	Control Box (Two Tanks, L-R) (CL64eN).....	1
19	00-974826	Label - Sanitation (Bilingual) (CL44/66eN).....	1
20	00-974827	Label - Sanitation (Bilingual) (CL54/76eN).....	1
21	00-974828	Label - Sanitation (Bilingual) (CL64/86eN).....	1
22	00-918576	Cable - Ribbon (Keypad).....	1
23	00-918577	Cable - Ribbon (Display).....	1

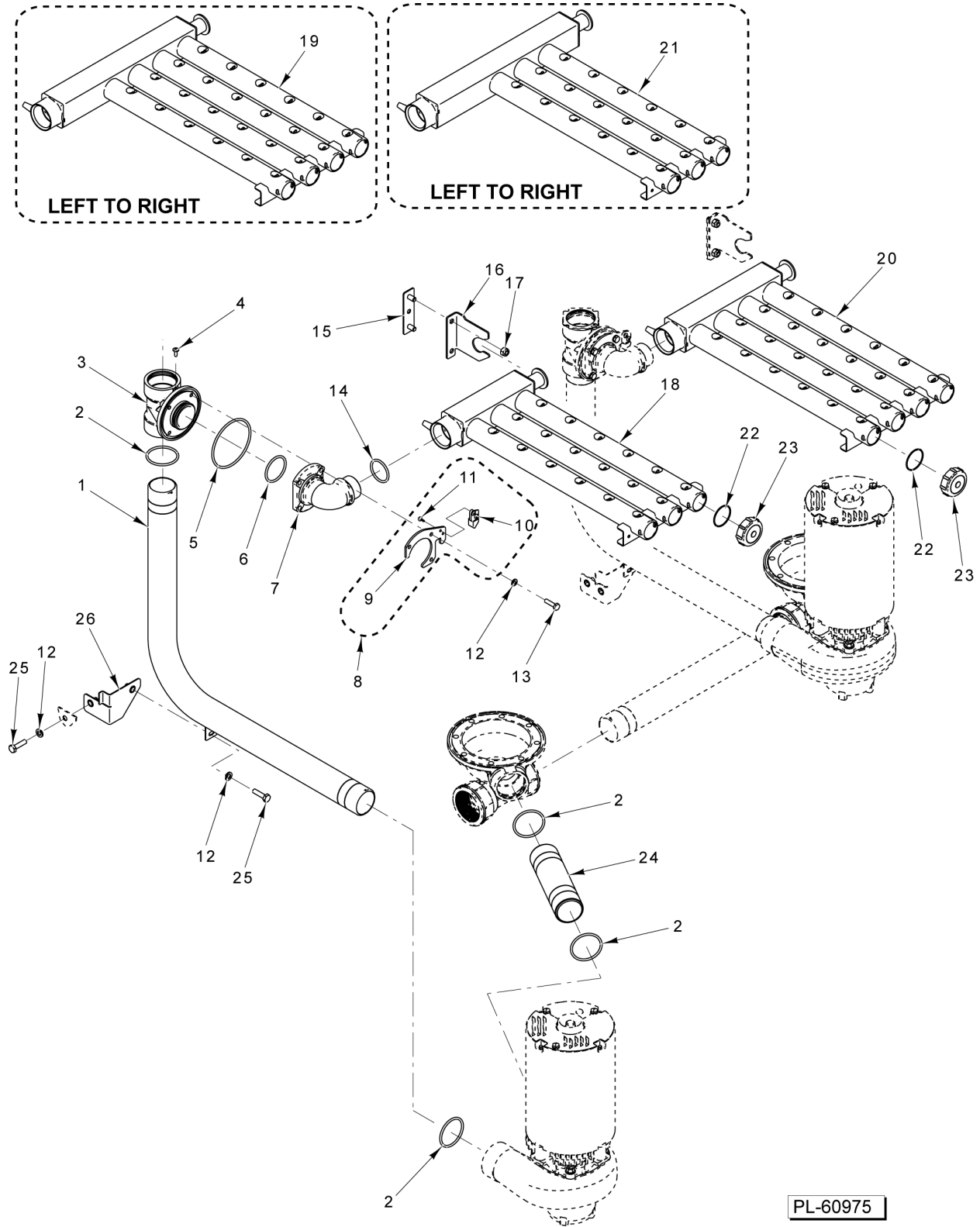


PL-60974

LOWER WASH ARM (CL44/54EN)

LOWER WASH ARM (CL44/54EN)

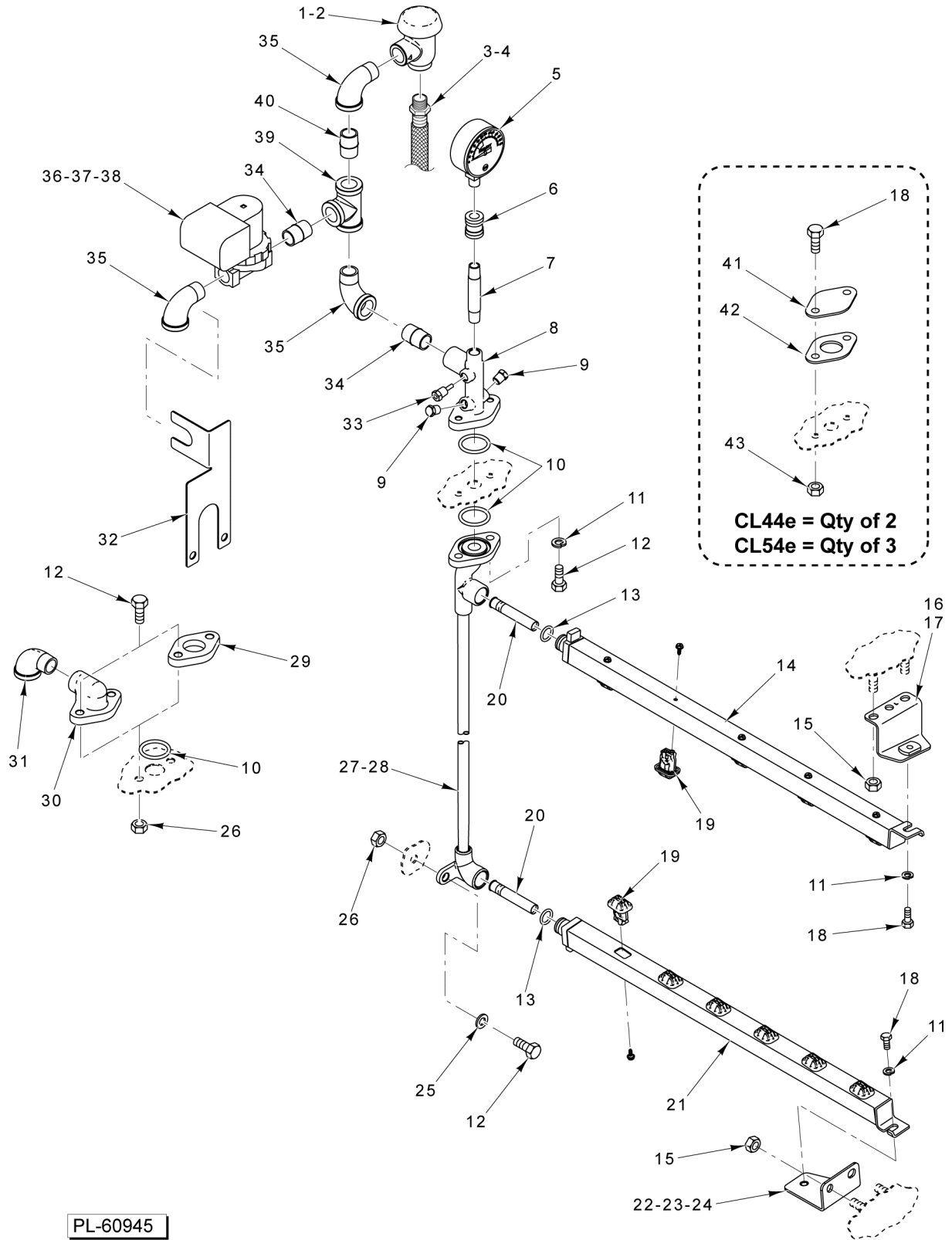
ILLUS. PL-60974	PART NO.	NAME OF PART	AMT.
1	00-067500-00057	O-Ring.....	1
2	00-919663-00002	Manifold - Tee.....	1
3	SD-038-84	Self-Tapping Screw 10-24 x 1/2 Phil. Truss Hd., Type F (SST).....	1
4	00-067500-00132	O-Ring.....	1
5	00-067500-00019	O-Ring.....	1
6	00-919926	Manifold - Elbow.....	1
7	00-936222	Cam Plate Assy. (Incls. Items 8, 9, & 10).....	1
8	00-936168	Plate - Adjuster.....	1
9	00-936166	Block - Wear.....	1
10	00-893777-00001	Self-Tapping Screw (Thread Forming).....	2
11	WL-006-17	Lockwasher 1/4 Helical (SST).....	4
12	SC-041-02	Cap Screw 1/4-20 x 1 Hex Hd. (SST).....	4
13	00-936202	Plate - Mounting.....	1
14	00-919931	Bracket - Guide (Wash Arm).....	1
15	NS-036-19	Stop Nut 5/16-18 Hex (SST).....	2
16	00-935993	Arm - Lower Wash (R-L).....	1
17	00-935994	Arm - Lower Wash (L-R).....	1
18	00-067500-00069	O-Ring.....	4
19	00-919363	End Cap Assy. (Incls. Item 18).....	4
20	00-067500-00057	O-Ring.....	3
21	00-919738-00003	Tube - Feed.....	1
22	00-067500-00014	O-Ring.....	1
23	00-935979	Tube - Feed.....	1
24	SC-041-50	Cap Screw 1/4-20 x 1/2 Hex Hd. (SST).....	1
25	WL-006-17	Lockwasher 1/4 Helical (SST).....	1
26	00-936368-00001	Bracket Assy. - Pump Mount.....	1
27	WL-006-17	Lockwasher 1/4 Helical (SST).....	1
28	SC-041-50	Cap Screw 1/4-20 x 1/2 Hex Hd. (SST).....	1



LOWER WASH ARM (CL64EN)

LOWER WASH ARM (CL64EN)

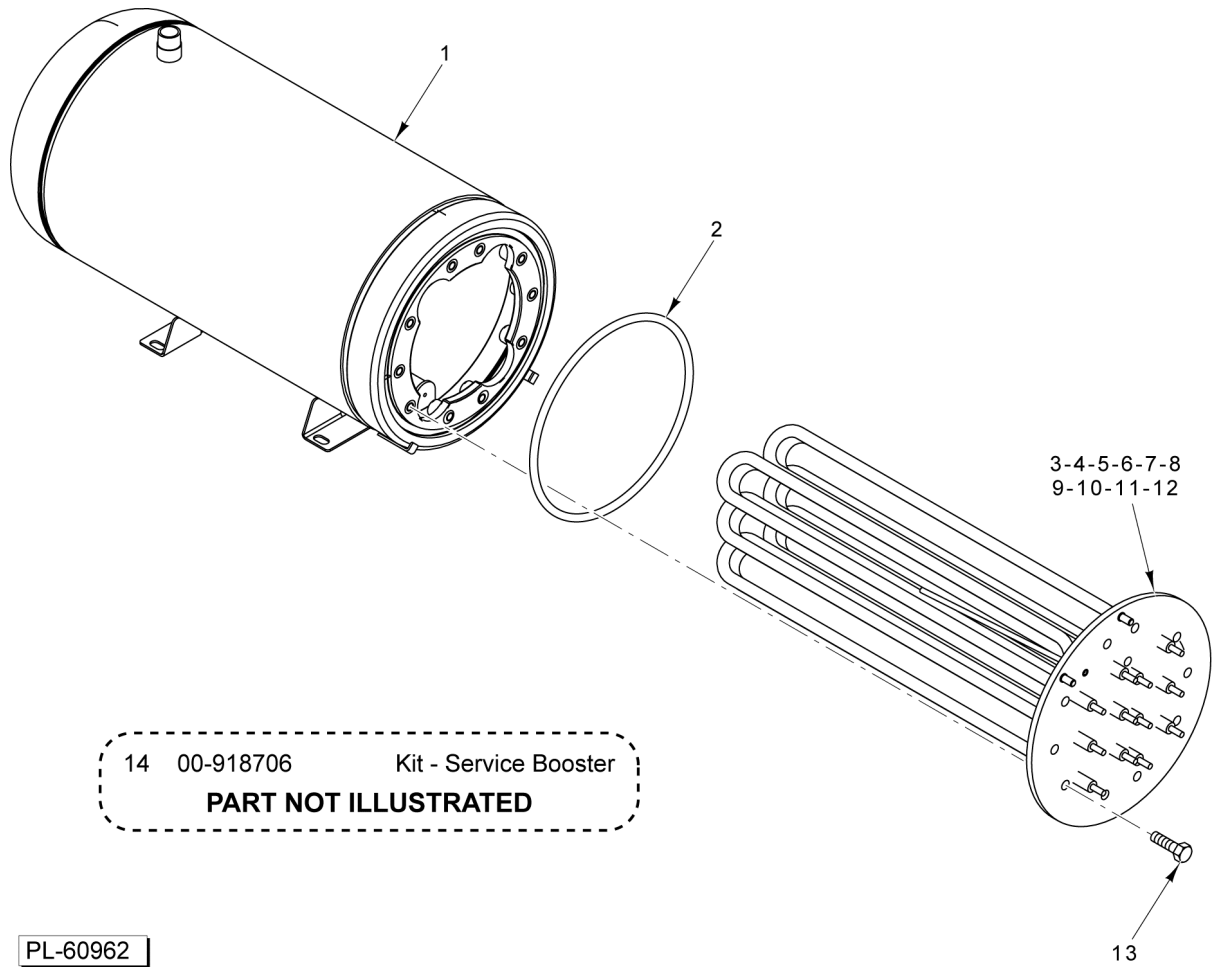
ILLUS.	PART NO.	NAME OF PART	AMT.
PL-60975			
1	00-935979	Tube - Feed.....	1
2	00-067500-00057	O-Ring.....	4
3	00-919663-00002	Manifold - Tee.....	1
4	SD-038-84	Self-Tapping Screw 10-24 x 1/2 Phil. Truss Hd., Type F (SST).....	1
5	00-067500-00132	O-Ring.....	1
6	00-067500-00019	O-Ring.....	1
7	00-919926	Manifold - Elbow.....	1
8	00-936222	Cam Plate Assy. (Incls. Items 9, 10, & 11).....	1
9	00-936168	Plate - Adjuster.....	1
10	00-936166	Block - Wear.....	1
11	00-893777-00001	Self-Tapping Screw (Thread Forming).....	2
12	WL-006-17	Lockwasher 1/4 Helical (SST).....	6
13	SC-041-02	Cap Screw 1/4-20 x 1 Hex Hd. (SST).....	4
14	00-067500-00014	O-Ring.....	1
15	00-936202	Plate - Mounting.....	1
16	00-919931	Bracket - Guide (Wash Arm).....	1
17	NS-036-19	Stop Nut 5/16-18 Hex (SST).....	2
18	00-936139	Arm - Lower Power Rinse (R-L).....	1
19	00-935994	Arm - Lower Wash (L-R).....	1
20	00-935993	Arm - Lower Wash (R-L).....	1
21	00-936140	Arm - Lower Power Rinse (L-R).....	1
22	00-067500-00069	O-Ring.....	7
23	00-919363	End Cap Assy. (Incls. Item 22).....	7
24	00-919738-00003	Tube - Feed.....	1
25	SC-041-50	Cap Screw 1/4-20 x 1/2 Hex Hd. (SST).....	2
26	00-936368-00001	Bracket Assy. - Pump Mount.....	1



RINSE PIPING

RINSE PIPING

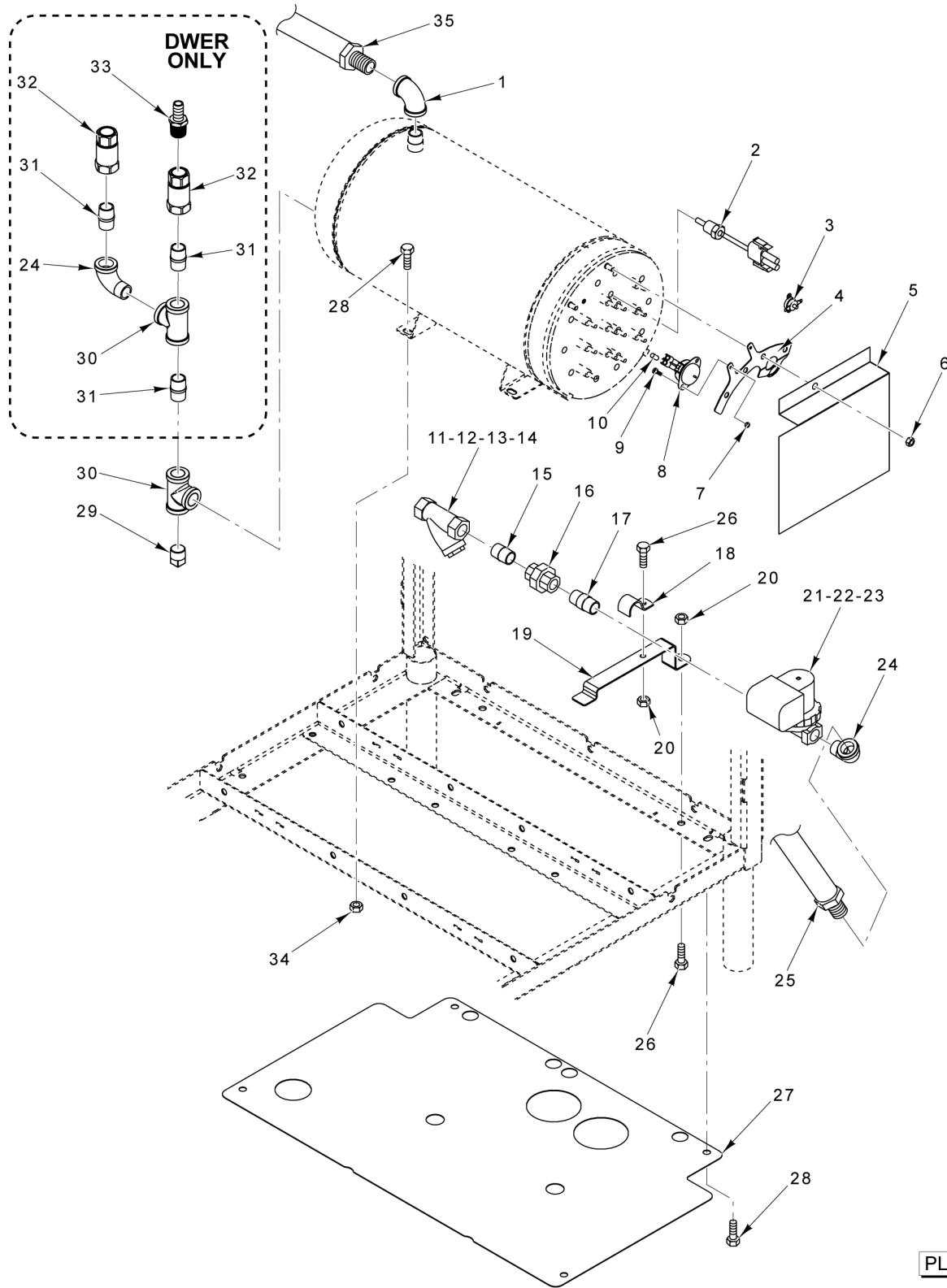
ILLUS.	PART NO.	NAME OF PART	AMT.
PL-60945			
1	00-292909-00002	Vacuum Breaker 1/2 In.....	1
2	00-292910	Service Kit - Vacuum Breaker.....	1
3	00-918390-00004	Hose - Braided Water 1/2 x 12-1/2 In. (SST) (CL44/54eN).....	1
4	00-918390-00006	Hose - Braided Water 1/2 x 22 In. (SST) (CL64eN).....	1
5	00-918460	Gauge - Water Pressure.....	1
6	FP-023-07	Coupling - Pipe 1/4 (CL44/64eN).....	1
7	FP-075-70	Pipe 1/4 x 3 TBE (Brass) (CL44/64eN).....	1
8	00-919560	Manifold - Top Rinse.....	1
9	FP-028-03	Pipe Plug 1/8 Sq. Hd. (Brass).....	2
10	00-067500-00012	O-Ring.....	AR
11	WL-006-23	Lockwasher 5/16 Helical (SST).....	AR
12	SC-041-12	Cap Screw 5/16-18 x 7/8 Hex Hd. (SST).....	AR
13	00-067500-00145	O-Ring.....	2
14	00-936273	Arm - Rinse Upper (5 Nozzle).....	1
15	NS-031-19	Stop Nut 1/4-20 Hex (SST).....	AR
16	00-936064-00003	Bracket - Upper Rinse (L-R).....	1
17	00-936064-00004	Bracket - Upper Rinse (R-L).....	1
18	SC-041-10	Cap Screw 5/16-18 x 5/8 Hex Hd. (SST).....	AR
19	00-893535	Nozzle Assy. (Incls. Screw).....	5
20	00-936197	Strainer - Opti-Rinse Short Inlet (CL44/64eN).....	2
21	00-918973	Arm - Rinse Lower.....	1
22	00-935872-00002	Support - Rinse Lower (CL44/64eN).....	1
23	00-936065-00001	Support - Rinse Lower (CL54eN, R-L).....	1
24	00-936065-00002	Support - Rinse Lower (CL54eN, L-R).....	1
25	WS-029-05	Washer 0.328 x 0.750 x 0.062 (SST).....	AR
26	NS-036-19	Stop Nut 5/16-18 Hex (SST).....	AR
27	00-936047-00001	Manifold - Rinse (Single) (STD).....	1
28	00-936047-00002	Manifold - Rinse (Single) (HTS).....	1
29	00-815001-00002	Flange - Threaded (CL44/54eN).....	1
30	00-918336	Manifold - Outside Rinse (CL64eN).....	1
31	FP-015-17	Elbow - Pipe 1/2 x 90 Deg. (Brass) (CL64eN).....	1
32	00-936292	Support - Upper Plumbing.....	1
33	00-328994	Probe Assy. - Rinse.....	1
34	FP-040-42	Pipe 1/2 x 1-1/8 TBE (Brass).....	2
35	FP-015-17	Elbow - Pipe 1/2 x 90 Deg. (Brass).....	AR
36	00-435968-00001	Valve - Solenoid (1/2 In.) (110-120 V.) (Incls. Items 37 & 38).....	1
37	00-271839-00001	Coil - Solenoid Valve.....	1
38	00-271837	Service Kit - Solenoid Valve.....	1
39	FP-019-21	Tee - Pipe 1/2 x 1/2 x 1/2 (Brass).....	1
40	FP-040-54	Pipe 1/2 x 2-1/2 TBE (Brass).....	1
41	00-122402-00002	Flange.....	1
42	00-276407	Gasket - Rinse Pipe.....	1
43	NS-015-11	Nut 5/16-18 Hex (SST).....	1



ELECTRIC BOOSTER

ELECTRIC BOOSTER

ILLUS.	PART NO.	NAME OF PART	AMT.
PL-60962			
1	00-918500	Tank - Booster Assy.....	1
2	00-067500-00148	O-Ring.....	1
3	00-913102-00140	Heater - Booster & Install Kit (With Stud) (208 V., 30 kW).....	1
4	00-913102-00141	Heater - Booster & Install Kit (With Stud) (240 V., 30 kW).....	1
5	00-913102-00142	Heater - Booster & Install Kit (With Stud) (480 V., 30 kW).....	1
6	00-913102-00143	Heater - Booster & Install Kit (With Stud) (380 - 415 V., 30 kW).....	1
7	00-913102-00156	Heater - Booster & Install Kit (With Stud) (655 V., 30 kW).....	1
8	00-913102-00144	Heater - Booster & Install Kit (With Stud) (208 V., 15 kW).....	1
9	00-913102-00145	Heater - Booster & Install Kit (With Stud) (240 V., 15 kW).....	1
10	00-913102-00146	Heater - Booster & Install Kit (With Stud) (480 V., 15 kW).....	1
11	00-936376-00004	Heater - Booster (With Stud) (415 V., 15 kW).....	1
12	00-913102-00147	Heater - Booster & Install Kit (With Stud) (600 V., 15 kW).....	1
13	00-918512	Mounting Screw (With Sealer).....	10
14	00-918706	Kit - Service Booster (Included With Items 3 thru 12) (Incls. Items 2 & 13).....	1

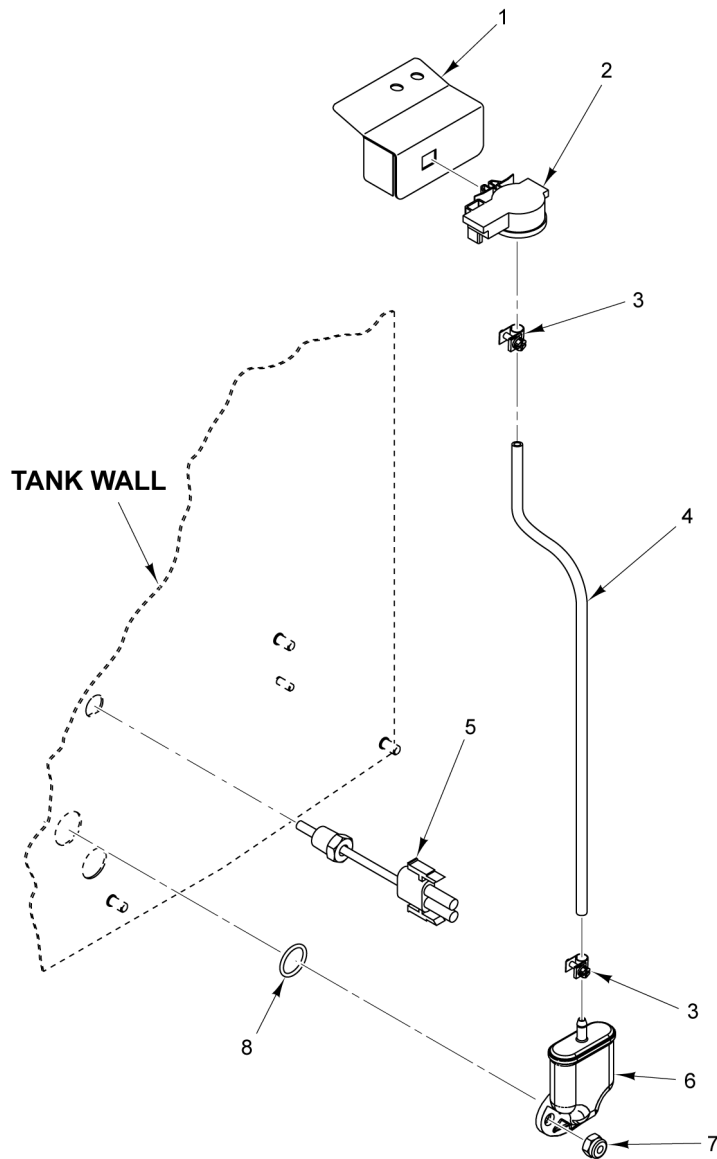


PL-60941

INCOMING WATER AND BOOSTER SUPPORT

INCOMING WATER AND BOOSTER SUPPORT

ILLUS.	PART NO.	NAME OF PART	AMT.
PL-60941			
1	FP-015-16	Elbow - Pipe 1/2 x 90 Deg. (Brass).....	1
2	00-328994	Probe Assy. - Rinse.....	1
3	00-294615-00001	Control - Temperature.....	1
4	00-936374	Bracket - Booster High Limit.....	1
5	00-936229	Barrier - Mylar.....	1
6	NS-031-15	Stop Nut 10-24 Hex (SST).....	2
7	NS-031-50	Stop Nut 6-32 Hex (SST).....	2
8	00-271123	Protector - High Limit.....	1
9	SC-127-26	Mach. Screw 6-32 x 3/8 Phil. Rd. Hd. (SST).....	2
10	00-293946-00002	Sleeve.....	AR
11	00-270258	Strainer - Line (1/2) (Brass) (Incls. Items 12, 13, & 14).....	1
12	00-270259	Plug - Branch.....	1
13	00-270260	Screen - Strainer (1/2 In.).....	1
14	00-270261	Gasket.....	1
15	FP-040-42	Pipe 1/2 x 1-1/8 TBE (Brass).....	1
16	FP-022-12	Union - Pipe (Brass).....	1
17	FP-040-42	Pipe 1/2 x 1-1/8 TBE (Brass).....	1
18	FE-026-88	Clamp - Pipe (1/2).....	1
19	00-814993	Support.....	1
20	NS-036-19	Stop Nut 5/16-18 Hex (SST).....	4
21	00-435968-00001	Valve - Solenoid (1/2 In.) (110-120 V.) (Incls. Item 22).....	1
22	00-271839-00001	Coil - Solenoid Valve.....	1
23	00-271837	Service Kit - Solenoid Valve.....	1
24	FP-015-17	Elbow - Pipe 1/2 x 90 Deg. (Brass).....	2
25	00-918390-00007	Hose - Braided Water 1/2 x 48 In. (SST) (Booster).....	1
26	SC-041-10	Cap Screw 5/16-18 x 5/8 Hex Hd. (SST).....	3
27	00-919877	Panel - Bottom Trim.....	1
28	SC-041-05	Cap Screw 1/4-20 x 5/8 Hex Hd. (SST).....	8
29	FP-028-15	Pipe Plug 1/2 Sq. Hd. (Brass).....	1
30	FP-019-21	Tee - Pipe 1/2 x 1/2 x 1/2 (Brass).....	1
31	FP-040-43	Pipe 1/2 x 1-1/4 TBE (Brass).....	3
32	00-949410	Check Valve (1/2 In.) (Spring Loaded).....	2
33	FP-090-65	Fitting - Barb.....	1
34	NS-036-19	Stop Nut 5/16-18 Hex (SST).....	4
35	00-918390-00010	Hose - Braided Water 1/2 x 58 In. (SST).....	1



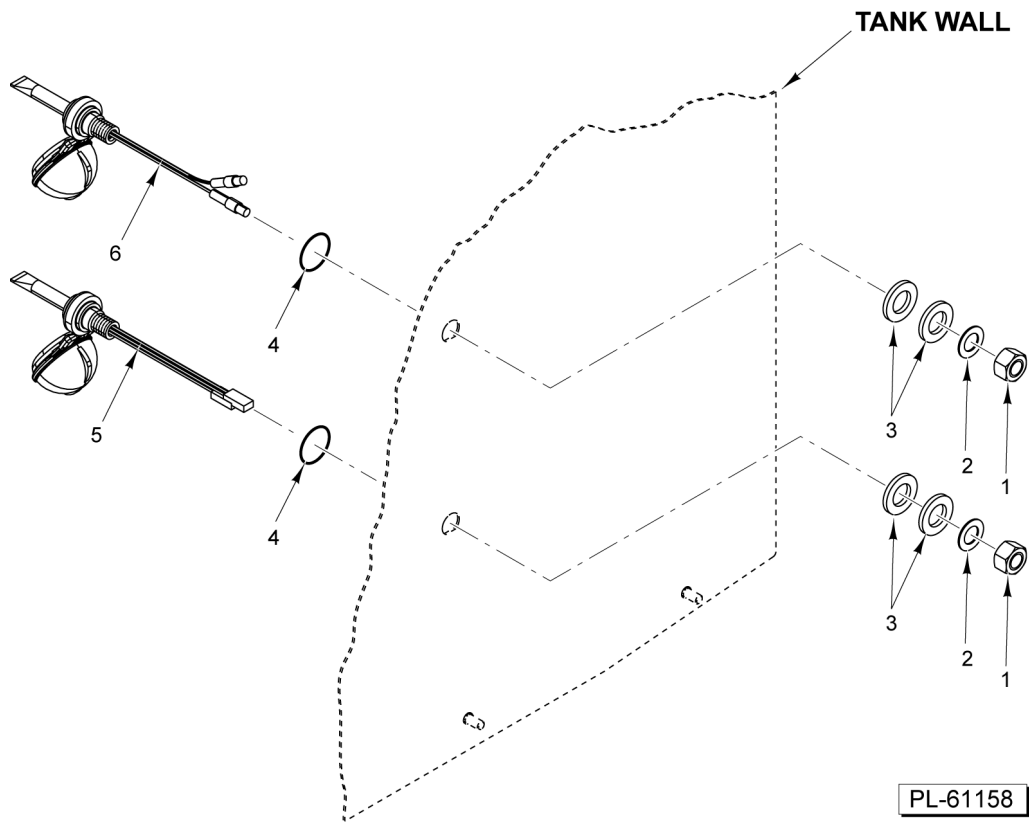
9 00-974286 Harness - Pressure Sensor
PART NOT ILLUSTRATED

PL-60943

**AIR TRAP AND TANK SENSORS
(TANK 1)**

**AIR TRAP AND TANK SENSORS
(TANK 1)**

ILLUS.	PART NO.	NAME OF PART	AMT.
PL-60943			
1	00-974882	Bracket - Pressure Sensor.....	1
2	00-974533	Pressure Transducer.....	1
3	00-113156-00001	Clamp - Spring Action Hose.....	2
4	00-974388-00005	Tube.....	1
5	00-328994	Probe Assy. - Rinse.....	1
6	00-942151-00001	Trap - Air.....	1
7	NS-047-82	Stop Nut 1/4-20 Hex (SST).....	2
8	OR-001-21	O-Ring.....	1
9	00-974286	Harness - Pressure Sensor.....	1

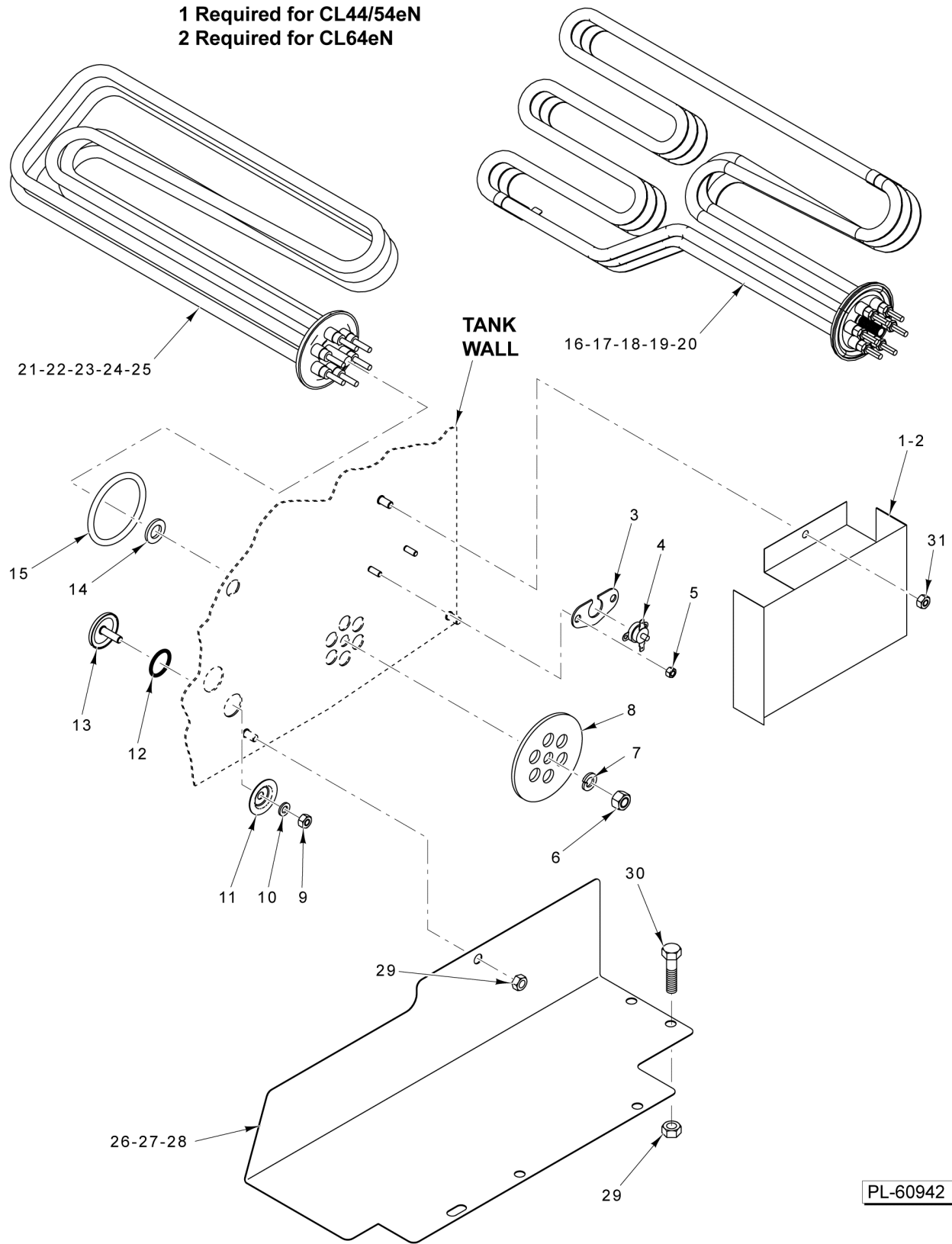


**TANK SENSORS
(TANK 2)**

**TANK SENSORS
(TANK 2)**

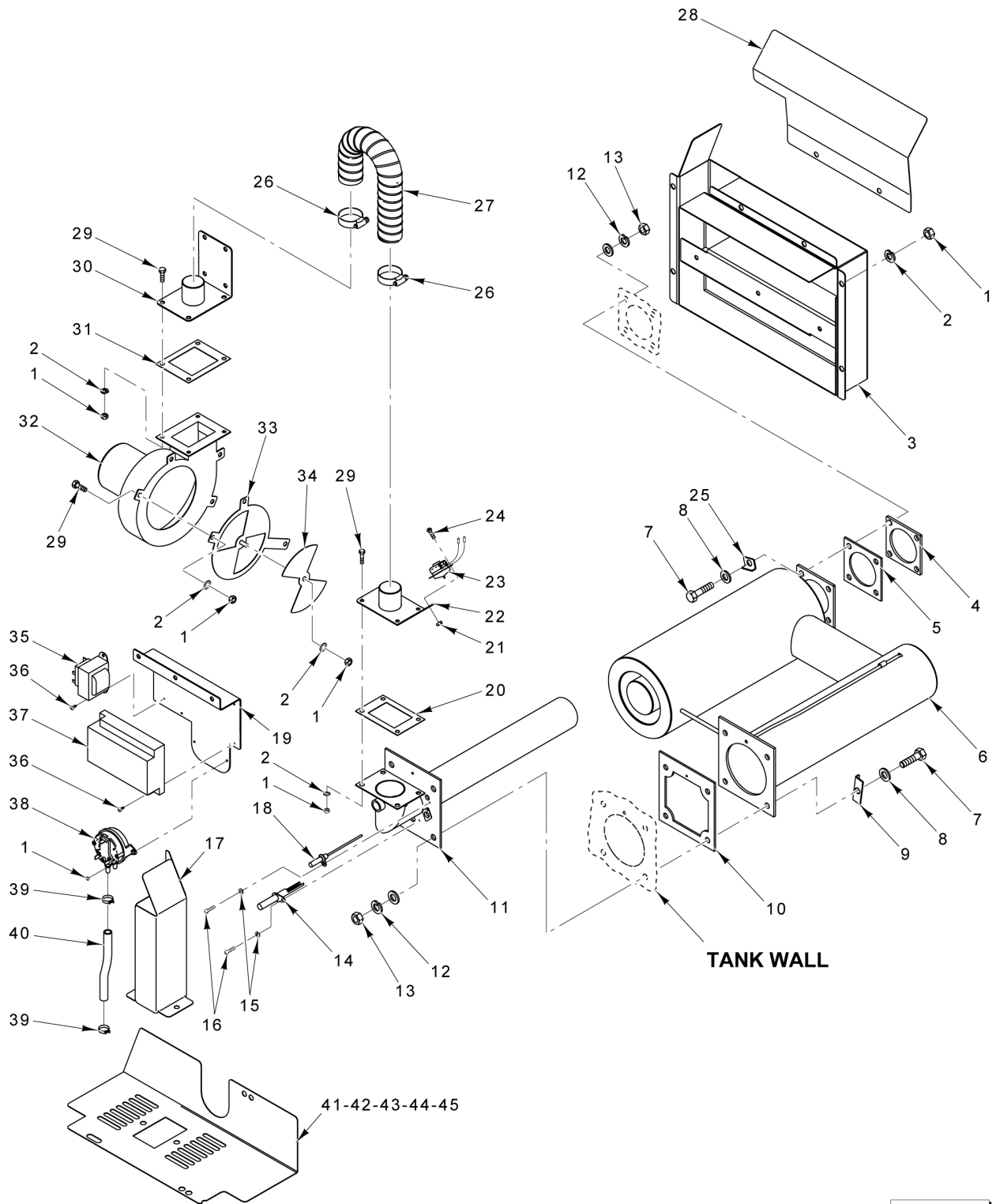
ILLUS.	PART NO.	NAME OF PART	AMT.
PL-61158			
1	NS-018-28	Jam Nut 1/2-20 Hex (SST).....	2
2	WL-014-31	Lockwasher 1/2 External Shakeproof (SST).....	2
3	WS-010-40	Washer - Thrust.....	4
4	00-067500-00072	O-Ring.....	2
5	00-936547-00004	Probe & Switch Assy.....	1
6	00-936547-00003	Probe & Switch Assy.....	1

1 Required for CL44/54eN
2 Required for CL64eN



ELECTRIC HEAT

ILLUS.	PART NO.	NAME OF PART	AMT.
PL-60942			
1	00-936634	Barrier - Mylar (Tank 1).....	1
2	00-936229	Barrier - Mylar.....	1
3	00-475967	Bracket - High Limit.....	1
4	00-294615-00001	Control - Temperature.....	1
5	NS-031-15	Stop Nut 10-24 Hex (SST).....	2
6	NS-014-15	Nut 3/8-16 (Brass) (Supplied With Heater).....	1
7	WL-006-27	Lockwasher 3/8 Helical (SST).....	1
8	00-919523	Heat Plate - Electric.....	1
9	NS-015-01	Nut 1/4-20 Hex (SST).....	1
10	WL-006-17	Lockwasher 1/4 Helical (SST).....	1
11	00-119254	Retainer - Cap & Stud.....	1
12	00-067500-00031	O-Ring.....	1
13	00-119243	Cap - Detent Disposable.....	1
14	WS-018-04	Washer (SST).....	1
15	00-067500-00034	O-Ring.....	1
16	00-974568-00001	Element - Heater (15 kW, 200 V.) (CL44/54eN & CL64eN Wash Tank).....	1
17	00-974568-00002	Element - Heater (15 kW, 220 V.) (CL44/54eN & CL64eN Wash Tank).....	1
18	00-974568-00003	Element - Heater (15 kW, 380 V.) (CL44/54eN & CL64eN Wash Tank).....	1
19	00-974568-00004	Element - Heater (15 kW, 440 V.) (CL44/54eN & CL64eN Wash Tank).....	1
20	00-974568-00005	Element - Heater (15 kW, 600 V.) (CL44/54eN & CL64eN Wash Tank).....	1
21	00-936333-00001	Element - Heater (10 kW, 200 V.) (CL64eN Rinse Tank).....	1
22	00-936333-00002	Element - Heater (10 kW, 220 V.) (CL64eN Rinse Tank).....	1
23	00-936333-00003	Element - Heater (10 kW, 380 V.) (CL64eN Rinse Tank).....	1
24	00-936333-00004	Element - Heater (10 kW, 440 V.) (CL64eN Rinse Tank).....	1
25	00-936333-00005	Element - Heater (10 kW, 600 V.) (CL64eN Rinse Tank).....	1
26	00-936106	Panel - Bottom (Rinse) (R-L & L-R) (CL64eN).....	1
27	00-935871	Panel - Bottom (L-R) (CL44/54eN & CL64eN Wash Tank).....	1
28	00-974363	Panel - Bottom (R-L) (DWER) (CL44/54eN & CL64eN Wash Tank).....	1
29	NS-031-19	Stop Nut 1/4-20 Hex (SST).....	AR
30	SC-041-05	Cap Screw 1/4-20 x 5/8 Hex Hd. (SST).....	2
31	NS-031-19	Stop Nut 1/4-20 Hex (SST).....	1

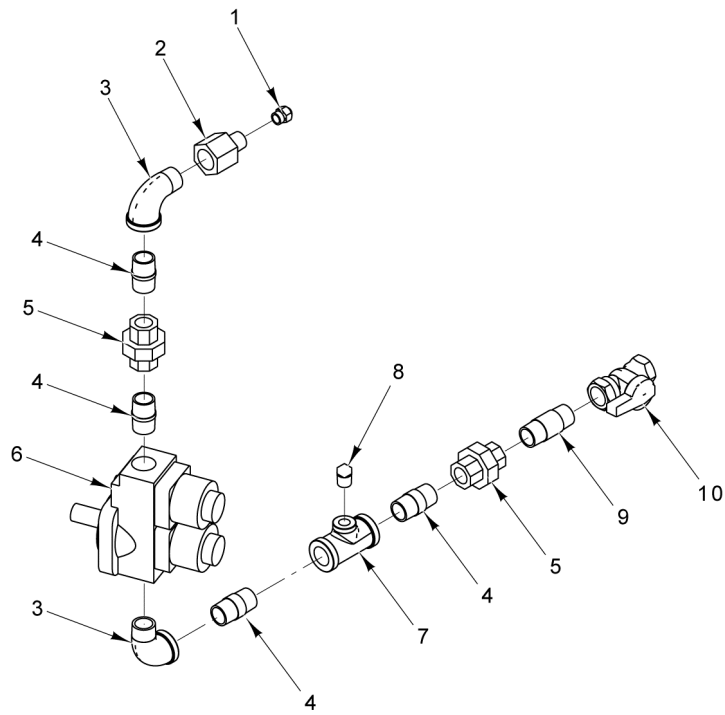


PL-60957

GAS HEAT COMPONENTS

GAS HEAT COMPONENTS

ILLUS.	PART NO.	NAME OF PART	AMT.
PL-60957			
1	NS-031-21	Stop Nut 1/4-20 Hex (SST).....	AR
2	WL-014-10	Lockwasher 1/4 External Shakeproof.....	AR
3	00-919455	Shroud Assy.....	1
4	00-936757	Flange - Exhaust Mounting.....	1
5	00-919457	Gasket - Immersion Tube.....	1
6	00-919470	Tube - Immersion.....	1
7	SC-041-31	Cap Screw 3/8-16 x 1-1/4 Hex Hd. (SST).....	8
8	WS-028-22	Washer.....	16
9	00-936585	Stop - Hex Head.....	4
10	00-919456	Gasket - Immersion Tube.....	1
11	00-919458	Burner - Infrared.....	1
12	WL-006-28	Lockwasher 3/8 Helical.....	8
13	NS-015-13	Nut 3/8-16 Hex (SST).....	8
14	00-748571-00002	Ignitor (With Terminals).....	1
15	WL-006-02	Lockwasher #8 Helical (SST).....	2
16	SC-021-13	Mach. Screw 8-32 x 1/4 Slotted Rd. Hd. (SST).....	2
17	00-936636	Tube - Gas Intake.....	1
18	00-748572	Electrode Assy.....	1
19	00-919355	Plate - Base (Under Tank).....	1
20	00-919922	Seal - Blower.....	1
21	NS-031-50	Stop Nut 6-32 Hex (SST).....	2
22	00-919475	Plate - Air Tube Weldment.....	1
23	00-271123	Protector - High Limit.....	1
24	SC-021-08	Mach. Screw 6-32 x 3/8 Slotted Rd. Hd. (SST).....	2
25	00-892710	Stop - Hex Hd.....	4
26	00-557579	Clamp.....	2
27	00-919930	Tube - Blower Intake.....	1
28	00-936753	Rail - Deflector.....	1
29	SC-041-05	Cap Screw 1/4-20 x 5/8 Hex Hd. (SST).....	11
30	00-919480	Mount - Blower Weldment.....	1
31	00-919923	Seal - Blower.....	1
32	00-919892	Blower - Gas.....	1
33	00-919916	Intake - Air Weldment.....	1
34	00-919917	Plate - Air Intake Adjuster.....	1
35	00-294500-040-1	Transformer (30 VA, 50/60 Hz.).....	1
36	SD-038-02	Self-Tapping Screw 6-20 x 5/8 Phil. Pan Hd., Type B.....	2
37	00-748512	Board - Ignitor (24 VAC).....	1
38	00-918116-00001	Switch - Air.....	1
39	00-113156-00001	Clamp - Spring Action Hose.....	2
40	00-814754-00001	Tube - Rubber.....	1
41	00-936665	Panel - Bottom (R-L) (CL44/54eN; CL64eN RH Tank).....	1
42	00-936667	Panel - Bottom (L-R) (CL44/54eN; CL64eN RH Tank).....	1
43	00-936663	Panel - Bottom (CL64eN LH Tank).....	1
44	00-974402	Panel - Bottom (R-L) (DWER) (CL44/54eN Tank).....	1
45	00-974465	Panel - Bottom (R-L) (DWER) (CL64eN Tank).....	1

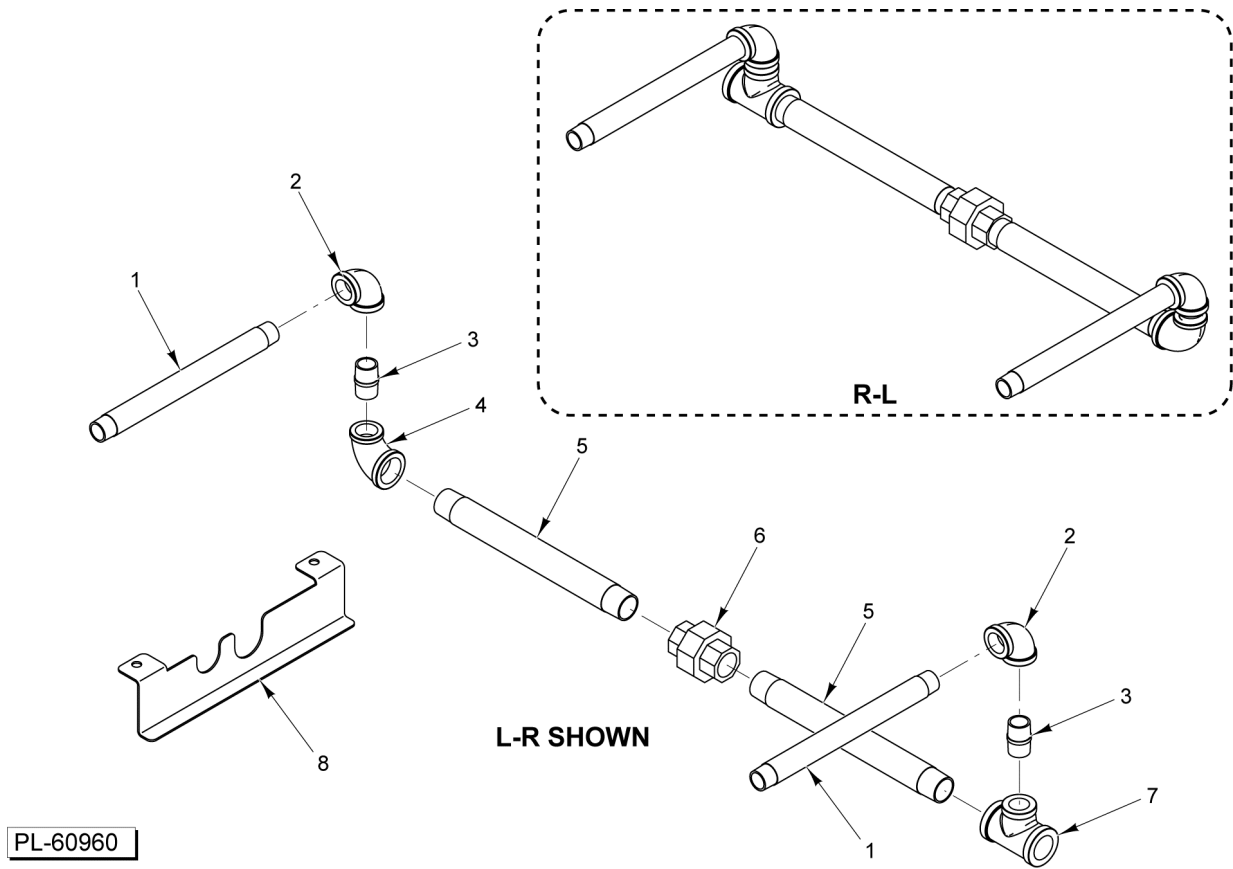


PL-60958

GAS HEAT PIPING

GAS HEAT PIPING

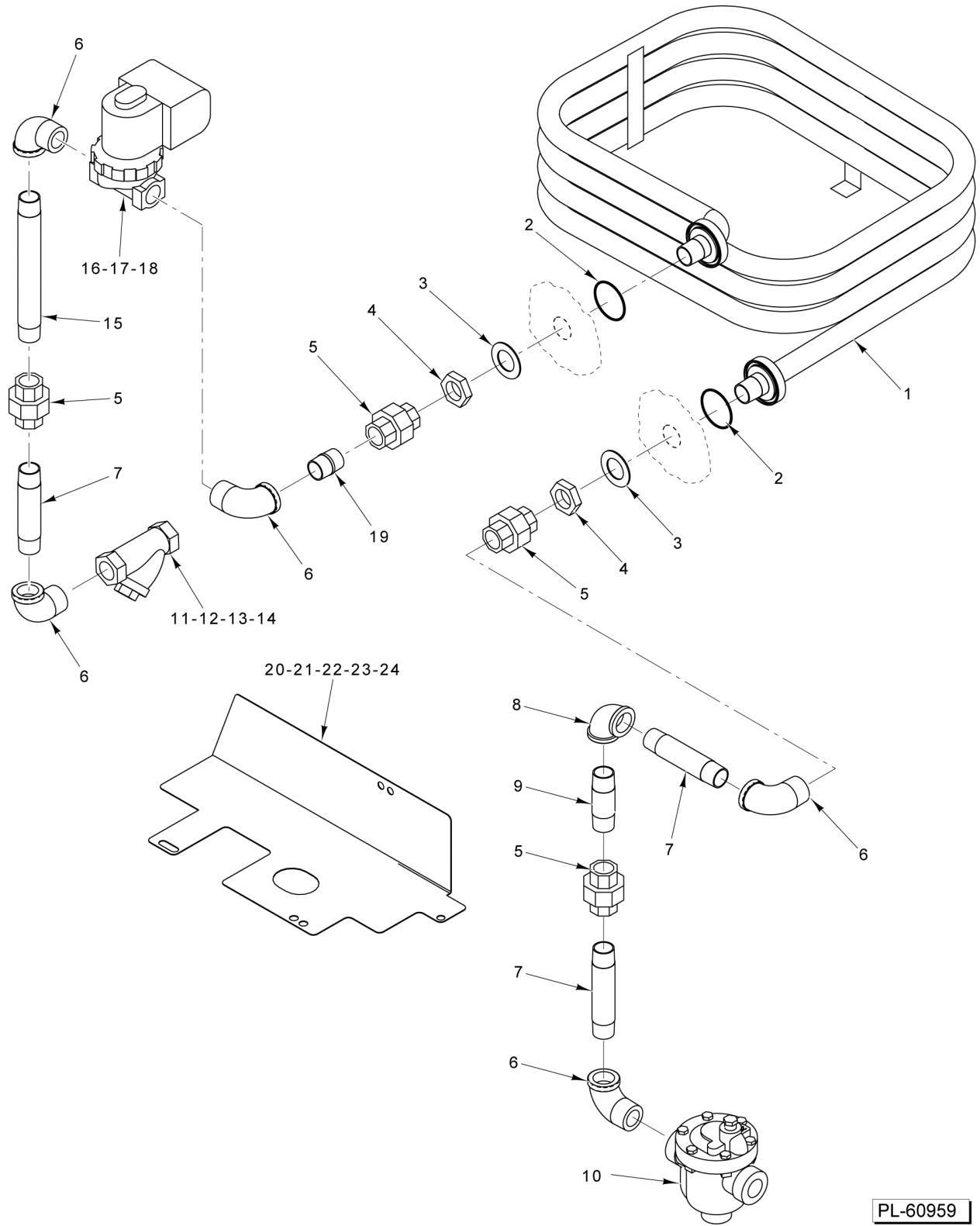
ILLUS.	PART NO.	NAME OF PART	AMT.
PL-60958			
1	00-893149-00003	Orifice (NAT).....	1
2	00-893132	Adapter 1/2 to 7/16-20.....	1
3	FP-013-17	Elbow - Street 1/2 x 90 Deg.....	2
4	FP-035-91	Pipe 1/2 x 1-1/8 TBE.....	4
5	FP-022-11	Union - Pipe.....	2
6	00-328426-00004	Valve - Regulator (NAT).....	1
7	FP-084-31	Tee Pipe 1/2 x 1/2 x 1/4.....	1
8	FP-028-06	Pipe Plug 1/4 Sq. Hd.....	1
9	FP-035-96	Pipe 1/2 x 2-1/2 TBE.....	1
10	00-291988-00003	Valve - Gas (Shut Off).....	1



COMMON GAS PIPING (CL64EN)

COMMON GAS PIPING (CL64EN)

ILLUS.	PART NO.	NAME OF PART	AMT.
PL-60960			
1	FP-059-87	Pipe 1/2 x 8-1/2 TBE.....	2
2	FP-013-15	Elbow - Pipe 1/2 x 90 Deg.....	2
3	FP-059-61	Pipe 1/2 x 1-1/4 TBE.....	2
4	FP-078-89	Elbow - Reducing 3/4 x 1/2.....	1
5	FP-080-75	Pipe 3/4 x 9 TBE.....	2
6	FP-022-17	Union 3/4 (Grd. Seat).....	1
7	FP-019-33	Tee - Pipe 3/4 x 3/4 x 1/2.....	1
8	00-936630	Support - Piping.....	1

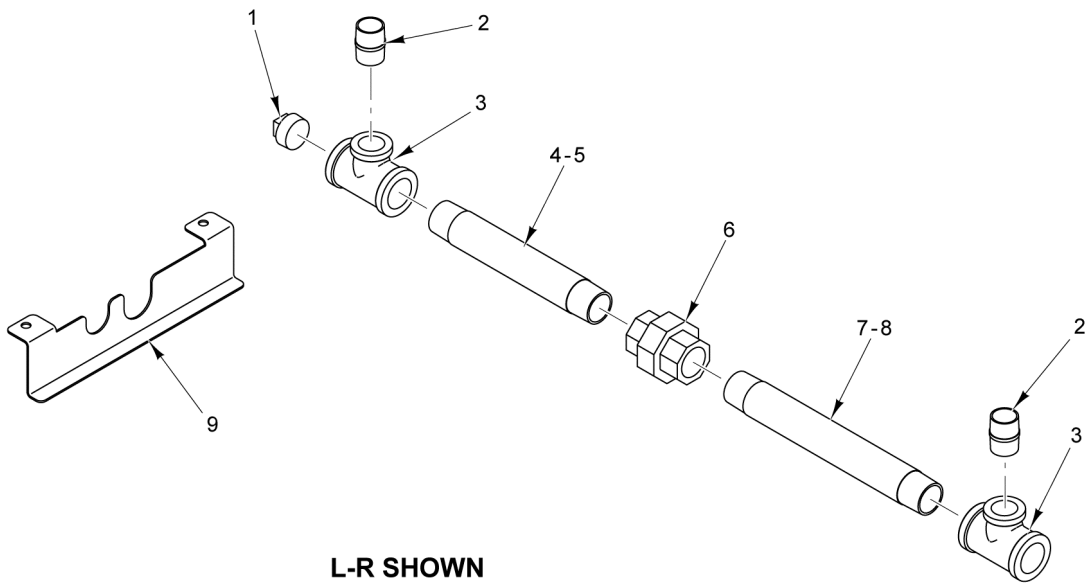
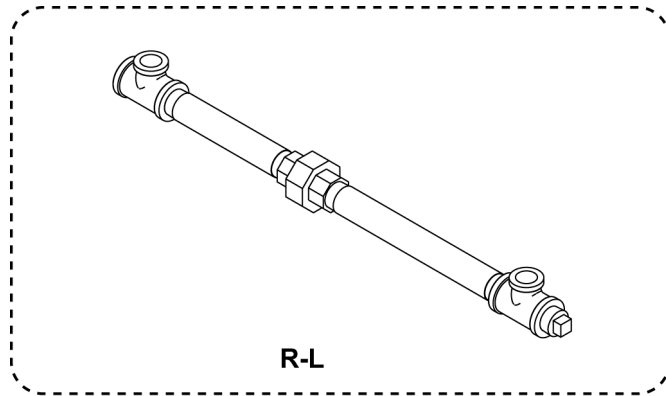


PL-60959

STEAM COIL AND INLET PIPING

STEAM COIL AND INLET PIPING

ILLUS.	PART NO.	NAME OF PART	AMT.
PL-60959			
1	00-919973	Coil - Steam Weldment.....	1
2	00-067500-00019	O-Ring.....	2
3	WS-013-45	Washer.....	2
4	FP-053-09	Lock Nut 3/4 NPSL (SST).....	2
5	FP-022-17	Union 3/4 (Grd. Seat).....	AR
6	FP-078-86	Elbow - Street 3/4 x 90 Deg.....	5
7	FP-059-14	Pipe 3/4 x 4-1/2 TBE.....	AR
8	FP-013-22	Elbow Pipe 3/4 x 90 Deg.....	1
9	FP-036-05	Pipe 3/4 x 3 TBE.....	1
10	00-118317	Steam Trap (21-50 PSI).....	1
11	00-186922	Strainer - Line (3/4 In.) (Brass) (Incls. Items 12, 13, & 14).....	1
12	00-186923	Plug - Branch.....	1
13	00-186924	Gasket - Branch Plug.....	1
14	00-186925	Screen - Line Strainer.....	1
15	FP-036-12	Pipe 3/4 x 7-3/4 TBE.....	1
16	00-892004-00002	Valve - Solenoid (3/4) (Parker) (Incls. Item 17).....	1
17	00-892363-00002	Coil - Solenoid Valve (110 - 120 V.) (Parker).....	1
18	00-892072	Kit - 3/4 In. Valve Service.....	1
19	FP-036-92	Pipe 3/4 x 1-3/8 TBE (Black).....	1
20	00-936664	Panel - Bottom (R-L) (CL44/54eN; CL64 RH Tank).....	1
21	00-936666	Panel - Bottom (L-R) (CL44/54eN; CL64 RH Tank).....	1
22	00-936662	Panel - Bottom (CL64 LH Tank).....	1
23	00-974376	Panel - Bottom (R-L) (DWER) (CL44/54eN Tank).....	1
24	00-974464	Panel - Bottom (R-L) (DWER) (CL64eN Tank).....	1

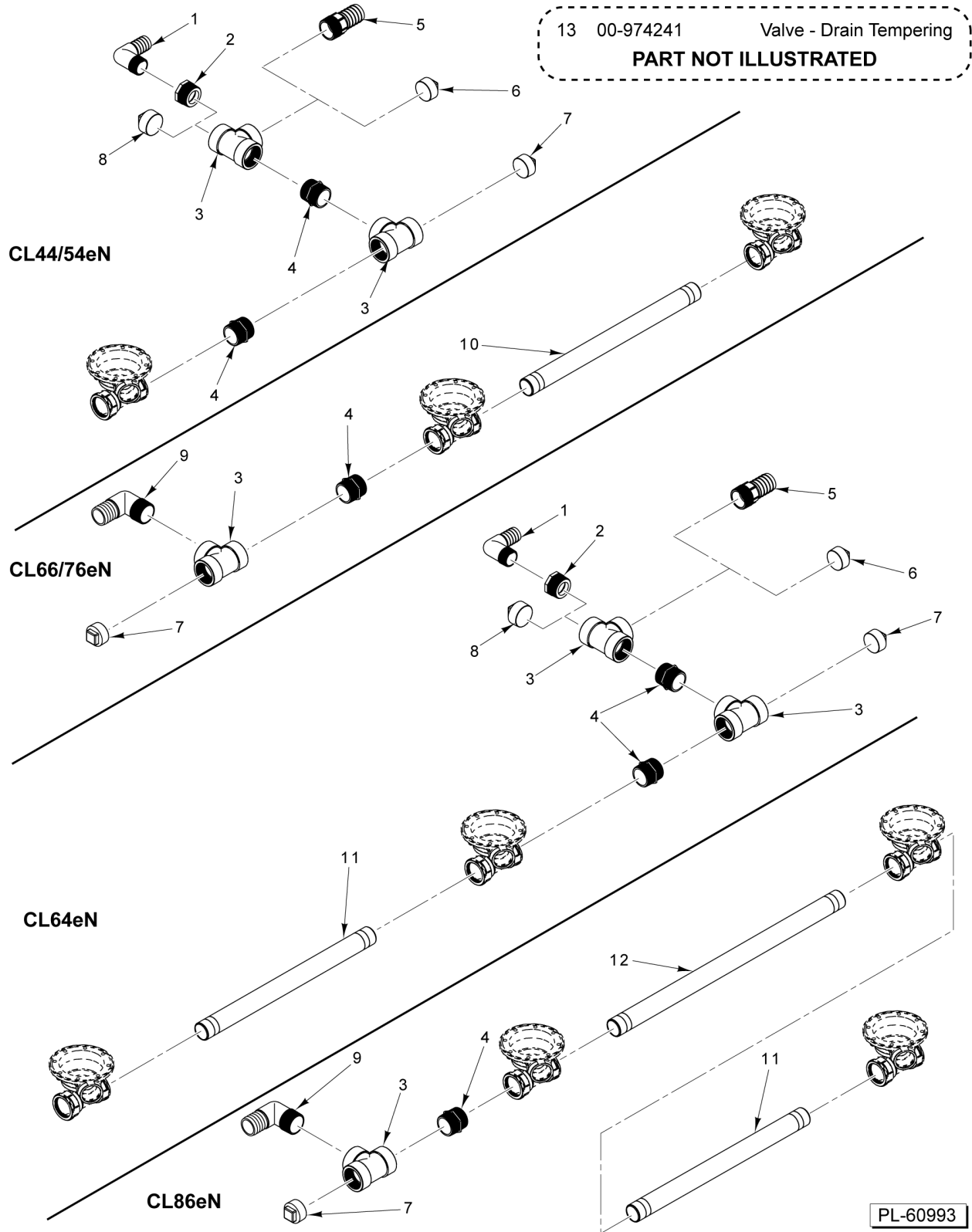


PL-60961

COMMON STEAM PIPING (CL64EN)

COMMON STEAM PIPING (CL64EN)

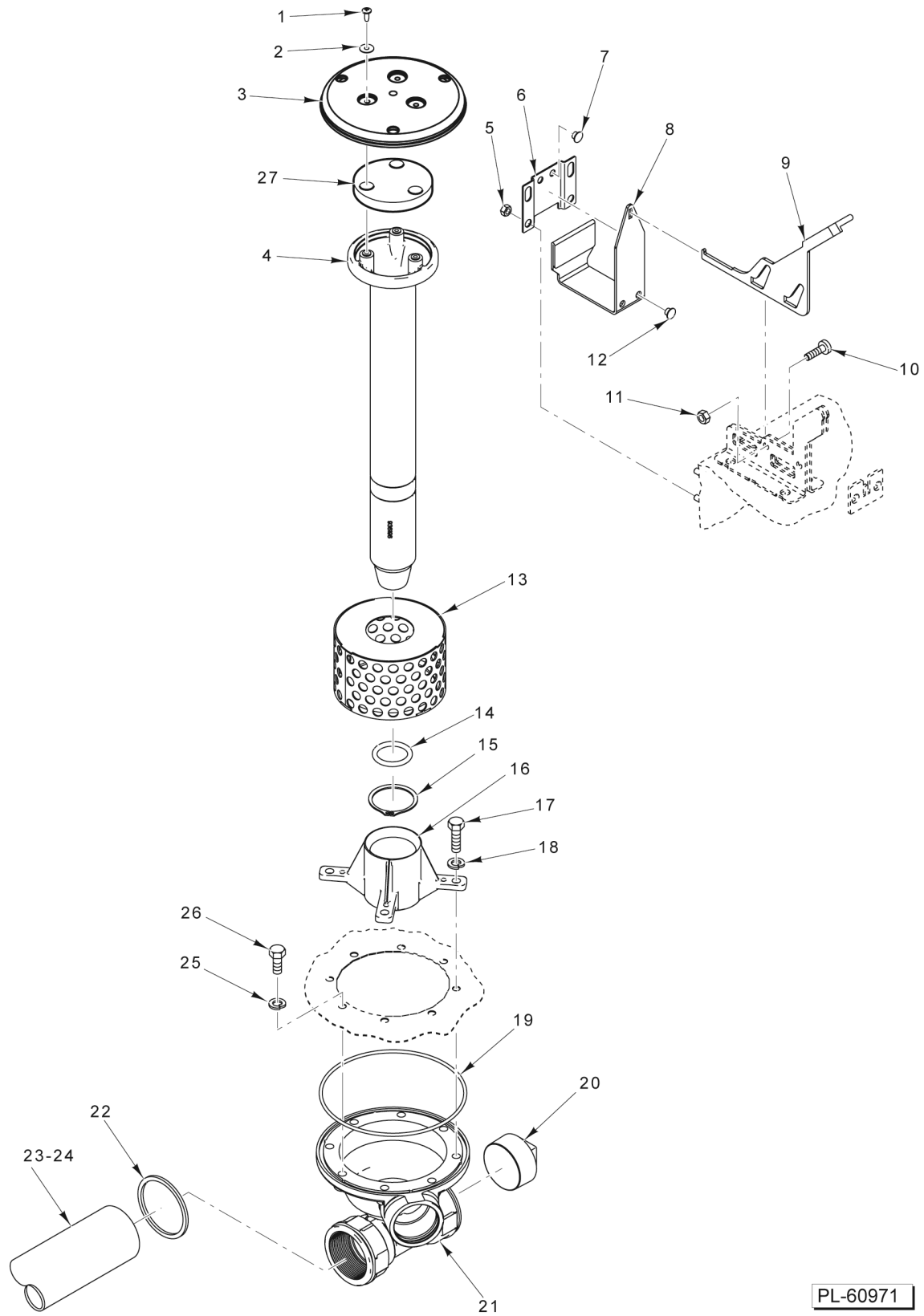
ILLUS.	PART NO.	NAME OF PART	AMT.
PL-60961			
1	FP-028-21	Plug - Pipe 1 Sq. Hd.....	1
2	FP-036-92	Pipe 3/4 x 1-3/8 TBE (Black).....	2
3	FP-019-42	Tee - Pipe 1 x 1 x 3/4.....	2
4	FP-059-72	Pipe 1 x 8-1/2 TBE (L-R).....	1
5	FP-059-67	Pipe 1 x 9-1/2 TBE (R-L).....	1
6	FP-022-23	Union - Pipe (1 In.).....	1
7	FP-059-72	Pipe 1 x 8-1/2 TBE (L-R).....	1
8	FP-059-67	Pipe 1 x 9-1/2 TBE (R-L).....	1
9	00-936630	Support - Piping.....	1



DRAIN PIPING (TEMPERING)

DRAIN PIPING (TEMPERING)

ILLUS.	PART NO.	NAME OF PART	AMT.
PL-60993			
1	FP-092-27	Elbow - Barb (1-1/2 In.) MNPT (Units with DWER).....	AR
2	FP-092-21	Bushing - Reducing 2 to 1-1/2 (Units with DWER).....	AR
3	FP-092-23	Tee - Pipe 2 x 2 x 2.....	AR
4	FP-092-22	Pipe - Hex (2 In.).....	AR
5	FP-092-24	Fitting - Barb (2 In.) NPT (Units with ASR).....	AR
6	FP-028-32	Pipe Plug 2 In. Sq. Hd. (Units with DWER).....	AR
7	FP-028-32	Pipe Plug 2 In. Sq. Hd.....	AR
8	FP-028-32	Pipe Plug 2 In. Sq. Hd. (Units without DWER).....	AR
9	FP-092-26	Elbow - Barb (2 In.) MNPT.....	AR
10	00-919738-00004	Tube - Drain to Drain (25 In.).....	AR
11	00-919738-00005	Tube - Drain To Drain (18-13/16 In.).....	AR
12	00-919738-00006	Tube - Drain To Drain (23-15/16 In.).....	AR
13	00-974241	Valve - Drain Tempering.....	AR

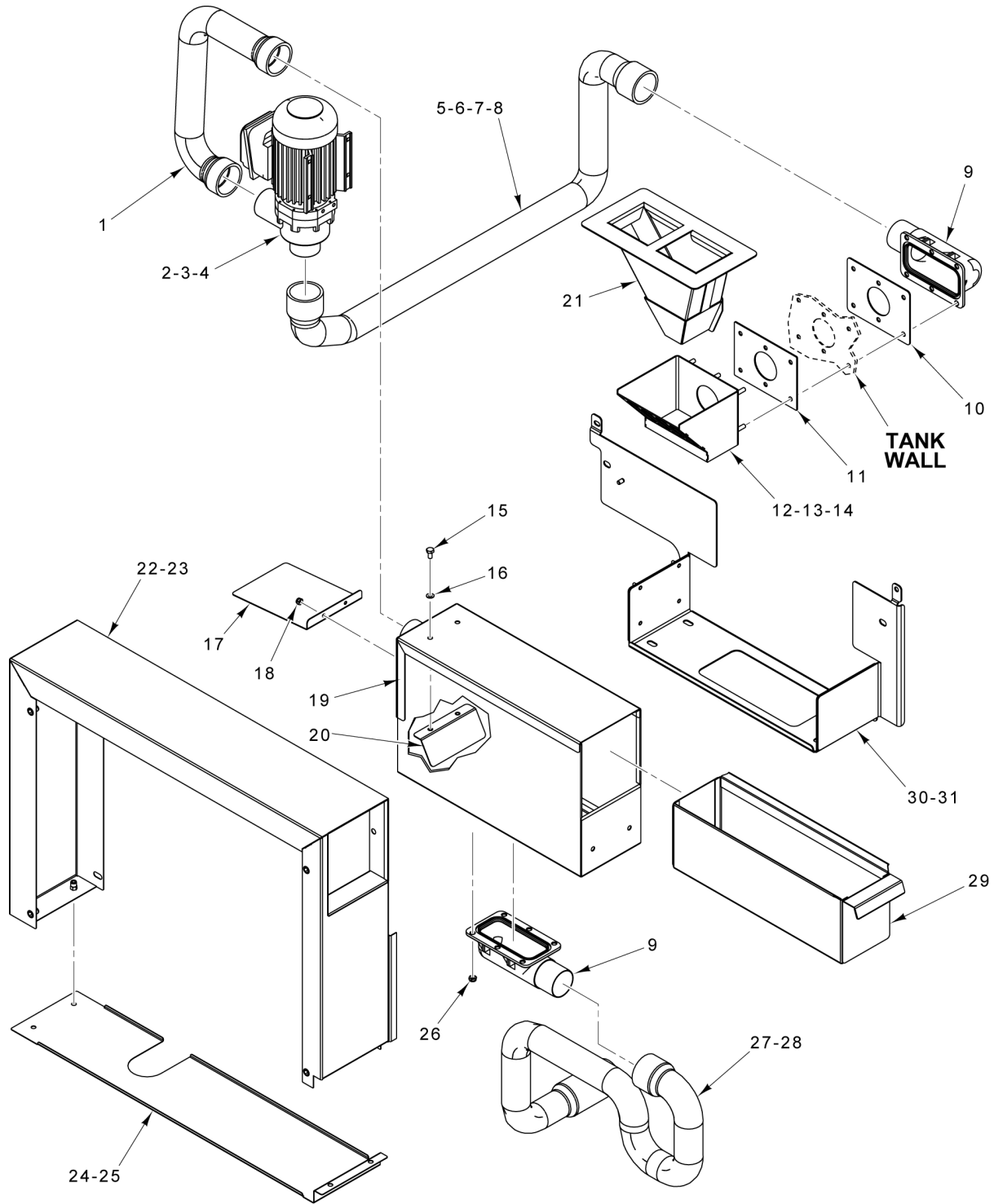


DRAIN (TANK)

PL-60971

DRAIN (TANK)

ILLUS.	PART NO.	NAME OF PART	AMT.
PL-60971			
1	SD-038-84	Self-Tapping Screw 10-24 x 1/2 Phil. Truss Hd., Type F (SST).....	3
2	WS-017-06	Washer (SST).....	3
3	00-936738	Cover - Standpipe.....	1
4	00-936196	Tube - Overflow.....	1
5	NS-031-19	Stop Nut 1/4-20 Hex (SST).....	4
6	00-919790	Guide - Lift.....	1
7	00-936372	Button - Wear.....	2
8	00-974409	Lift - Guide.....	1
9	00-936236	Link - Lift.....	1
10	SC-130-42	Shoulder Screw 5/16 Dia. 1/4-20 x 1/2 Socket Hex Hd. (SST).....	2
11	NS-047-82	Stop Nut 1/4-20 Hex (SST).....	2
12	00-936372	Button - Wear.....	2
13	00-936223	Strainer - Overflow Weldment.....	1
14	00-067500-00120	O-Ring.....	1
15	RR-012-37	Retaining Ring.....	1
16	00-936247	Guide - Standpipe.....	1
17	SC-041-11	Cap Screw 5/16-18 x 3/4 Hex Hd. (SST).....	4
18	WS-017-08	Washer (0.328 x 0.625 x 0.062) (SST).....	4
19	00-067500-00136	O-Ring.....	1
20	00-936767	Pipe Plug 2 In. Sq. Hd.....	1
21	00-919725	Drain.....	1
22	00-067500-00057	O-Ring.....	2
23	00-919738-00005	Tube - Drain To Drain (18-13/16 In.).....	1
24	00-919738-00006	Tube - Drain To Drain (23-15/16 In.).....	1
25	WL-006-23	Lockwasher 5/16 Helical (SST).....	4
26	SC-041-10	Cap Screw 5/16-18 x 5/8 Hex Hd. (SST).....	4
27	00-936788	Seal - Standpipe Cover (Power Rinse Tank on CL64/86eN) (Wash Tank on CL66/76eN).....	1

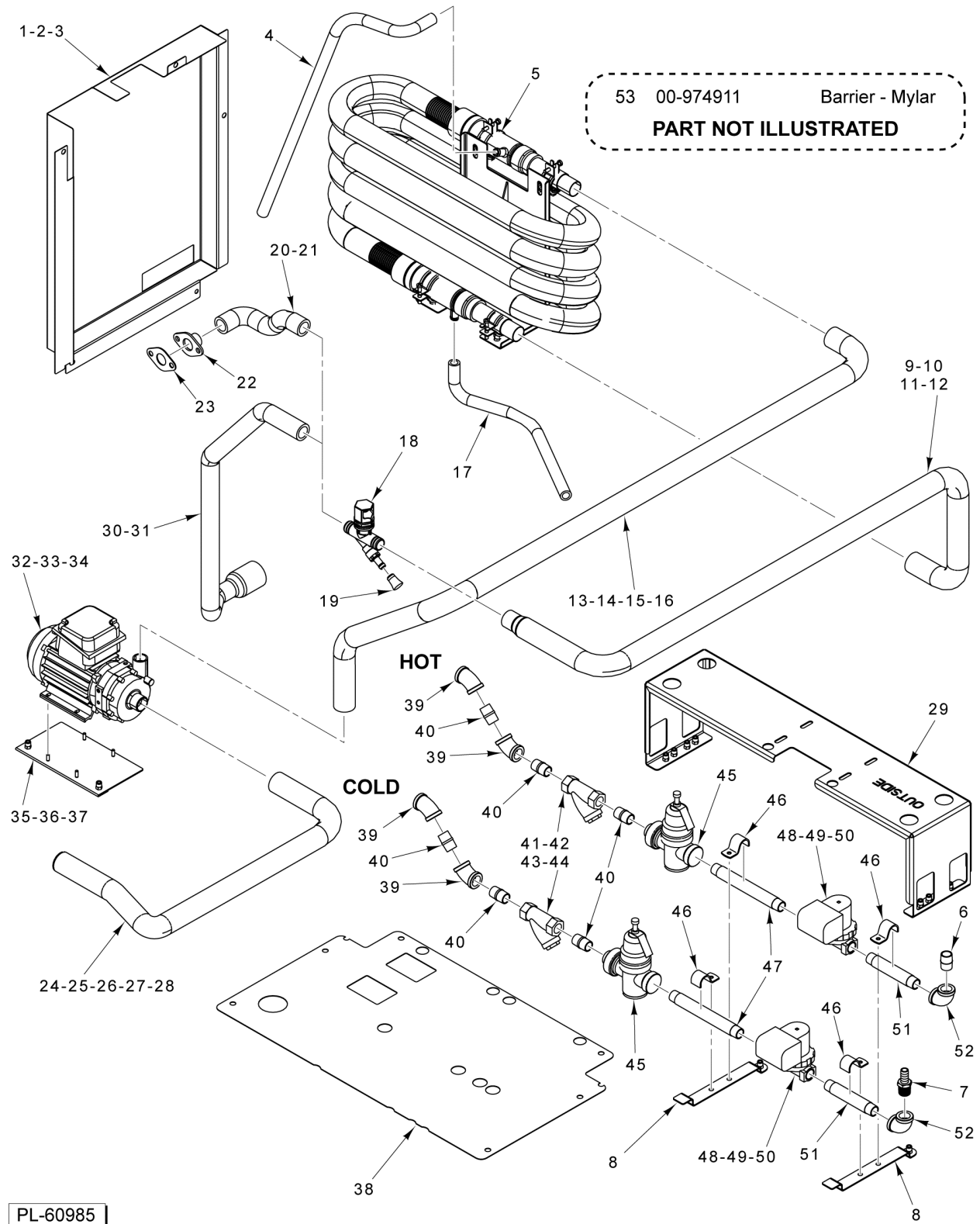


PL-60984

ASR SYSTEM

ASR SYSTEM

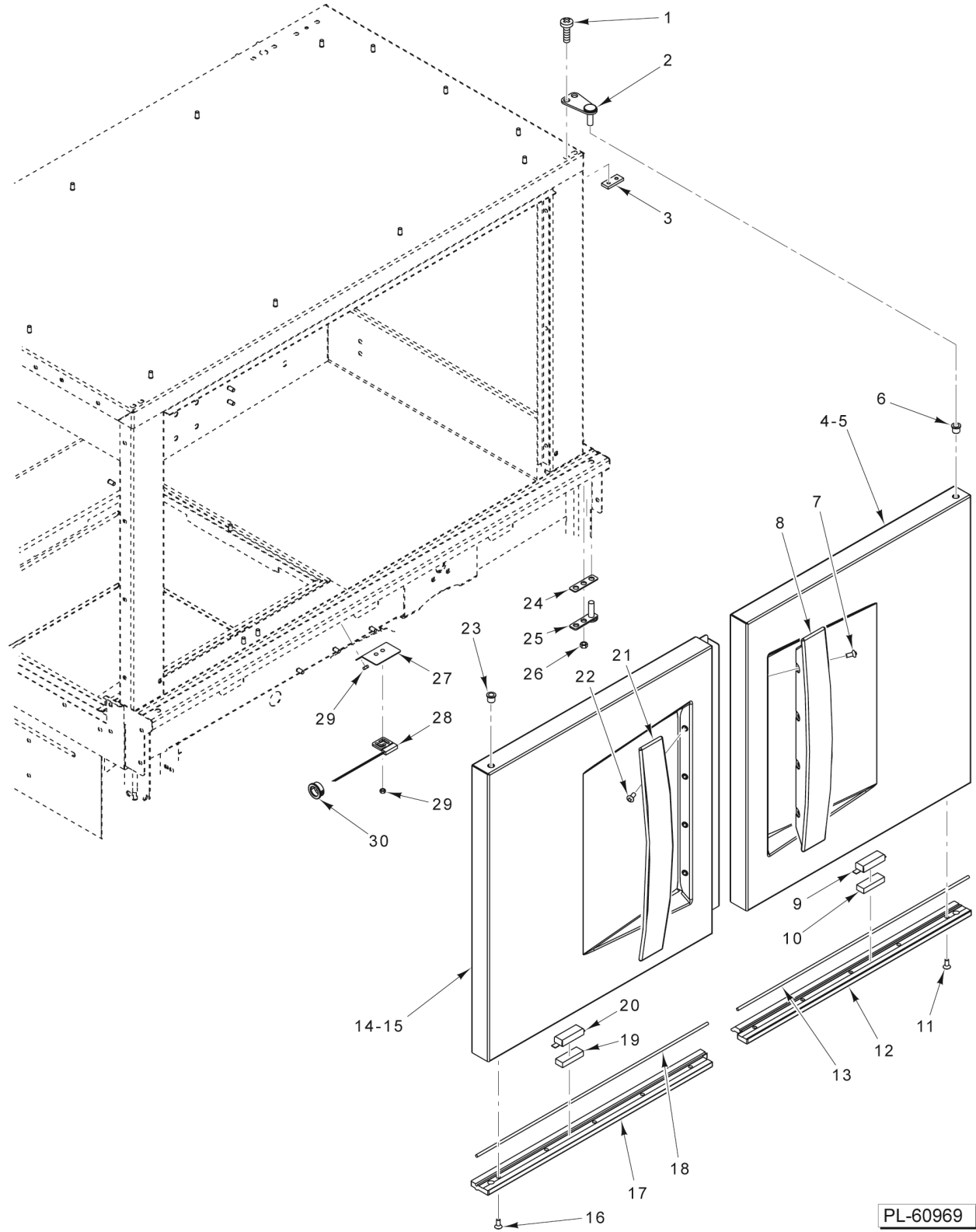
ILLUS.	PART NO.	NAME OF PART	AMT.
PL-60984			
1	00-974164	Hose (Pump to Basket).....	1
2	00-947900-00001	Pump Assy. (208-240/380-480 V., 60 Hz., 3 Ph.).....	1
3	00-947900-00002	Pump Assy. (208-240/380-480 V., 50 Hz., 3 Ph.).....	1
4	00-947900-00003	Pump Assy. (600 V., 60 Hz., 3 Ph.).....	1
5	00-974134-00001	Hose (Tank to Pump) (L-R) (CL44/54/64eN).....	1
6	00-974134-00002	Hose (Tank to Pump) (R-L) (CL44/54/64eN).....	1
7	00-974572	Hose - Inlet (R-L) (CL66/76/86eN).....	1
8	00-974572-00002	Hose - Inlet (L-R) (CL66/76/86eN).....	1
9	ML-102834	Outlet - Drain.....	1
10	00-974478	Washer - Support.....	1
11	00-974085	Seal.....	1
12	00-974079-00001	Seat - Basket Strainer (CL44/54eN).....	1
13	00-974093	Seat - Basket Strainer (CL66/76/86eN).....	1
14	00-974079-00003	Seat - Basket Strainer (CL64eN).....	1
15	SC-036-14	Cap Screw 1/4-20 x 1/2 Hex Hd.....	2
16	WS-003-43	Washer.....	2
17	00-974498	Shield - Pump.....	1
18	NS-031-15	Stop Nut 10-24 Hex (SST).....	2
19	00-974044	Box - ASR.....	1
20	00-974076	Guard - Splash.....	1
21	00-974086	Basket - Soil.....	1
22	00-974436-00001	Wrap - ASR (L-R).....	1
23	00-974436-00002	Wrap - ASR (R-L).....	1
24	00-974434-00001	Cover - Bottom (R-L).....	1
25	00-974434-00002	Cover - Bottom (L-R).....	1
26	NS-047-86	Stop Nut 1/4-20 Hex (SST).....	6
27	00-974295-00002	Hose - Drain (R-L).....	1
28	00-974295	Hose - Drain (L-R).....	1
29	00-974069	Basket - Internal.....	1
30	00-974501	Support - Box (L-R).....	1
31	00-974501-00002	Support - Box (R-L).....	1



DWER SYSTEM

DWER SYSTEM

ILLUS. PL-60985	PART NO.	NAME OF PART	AMT.
1	00-974768	Panel - Trim (Back) (L-R) (CL44/54/66/76eN).....	1
2	00-974467	Panel - Trim (Back) (L-R) (CL64/86eN).....	1
3	00-974769	Panel - Trim (Back) (R-L).....	1
4	00-950612-00001	Hose (Upper Coil Tee to Booster).....	1
5	00-974908	Heat Exchanger Assy.....	1
6	FP-035-91	Pipe 1/2 x 1-1/8 TBE.....	1
7	FP-090-65	Fitting - Barb.....	1
8	00-974477	Plate - Mounting.....	2
9	00-950610-00001	Hose (Coil to Siphon) (L-R) (CL44/54/66/76eN).....	1
10	00-950610-00002	Hose (Coil to Siphon) (R-L) (CL44/54/66/76eN).....	1
11	00-950610-00003	Hose (Coil to Siphon) (L-R) (CL64/86eN).....	1
12	00-950610-00004	Hose (Coil to Siphon) (R-L) (CL64/86eN).....	1
13	00-950609-00001	Hose (Pump to Coil) (L-R) (CL44/54/66/76eN).....	1
14	00-950609-00002	Hose (Pump to Coil) (R-L) (CL44/54/66/76eN).....	1
15	00-950609-00003	Hose (Pump to Coil) (L-R) (CL64/86eN).....	1
16	00-950609-00004	Hose (Pump to Coil) (R-L) (CL64/86eN).....	1
17	00-950612-00002	Hose (Lower Coil Tee to Cold Water).....	1
18	01-510300-00002	Kit - Anti Siphon Valve (Incls. Item 19).....	1
19	00-775531-00001	Plug.....	1
20	00-974492	Hose (Inlet to Siphon) (L-R) (CL66/76/86eN).....	1
21	00-974492-00002	Hose (Inlet to Siphon) (L-R) (CL66/76/86eN).....	1
22	00-974494	Plate - Inlet.....	1
23	00-276407	Gasket - Rinse Pipe.....	1
24	00-974842	Hose (Tank to Pump) (R-L) (CL44/54/66/76eN).....	1
25	00-974843	Hose (Tank to Pump) (L-R) (CL44/54/66/76eN).....	1
26	00-974844	Hose (Tank to Pump) (R-L) (CL64/86eN).....	1
27	00-974845	Hose (Tank to Pump) (L-R) (CL64/86eN).....	1
28	00-974890	Strainer - Inlet (DWER).....	1
29	00-974415	Bottom - DWER.....	1
30	00-950611-00001	Hose (Siphon to Drain) (R-L) (CL44/54/64eN).....	1
31	00-950611-00002	Hose (Siphon to Drain) (L-R) (CL44/54/64eN).....	1
32	00-947899-00001	Pump Motor Assy. (208-480 V., 60 Hz., 3 Ph.).....	1
33	00-947899-00002	Pump Motor Assy. (200-415 V., 50 Hz., 3 Ph.).....	1
34	00-947899-00003	Pump Motor Assy. (600 V., 60 Hz., 3 Ph.).....	1
35	00-974555-00002	Support - Pump (L-R) (CL44/54/66/76eN).....	1
36	00-974466	Support - Pump (L-R) (CL64/86eN).....	1
37	00-974555-00004	Support - Pump (R-L).....	1
38	00-974794	Panel - Trim (Bottom).....	1
39	FP-015-15	Elbow - Pipe 1/2 x 45 Deg. (Brass).....	4
40	FP-040-42	Pipe 1/2 x 1-1/8 TBE (Brass).....	6
41	00-270258	Strainer - Line (1/2) (Brass) (Incls. Items 42, 43, & 44).....	2
42	00-270259	Plug - Branch.....	2
43	00-270260	Screen - Strainer (1/2 In.).....	2
44	00-270261	Gasket.....	2
45	00-974829	Regulator - Pressure.....	2
46	FP-026-88	Clamp - Pipe (1/2).....	4
47	FP-040-88	Pipe 1/2 x 6 TBE (Brass).....	2
48	00-435968-00001	Valve - Solenoid (1/2 In.) (110-120 V.) (Incls. Items 49 & 50).....	2
49	00-271839	Coil.....	2
50	00-271837	Service Kit - Solenoid Valve.....	2
51	FP-040-76	Pipe 1/2 x 4-1/2 TBE (Brass).....	2
52	FP-015-16	Elbow - Pipe 1/2 x 90 Deg. (Brass).....	2
53	00-974911	Barrier - Mylar.....	AR

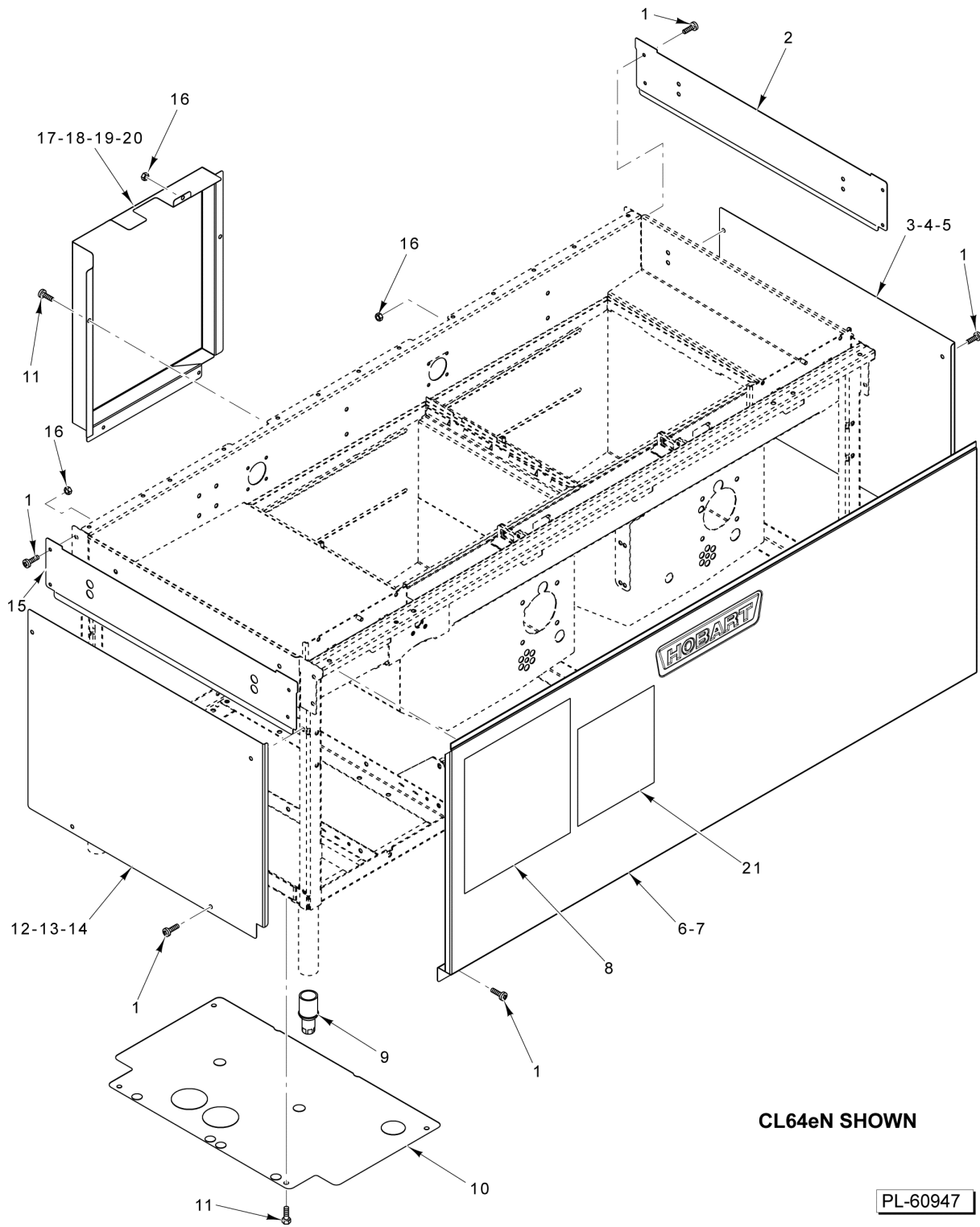


PL-60969

DOORS

DOORS

ILLUS.	PART NO.	NAME OF PART	AMT.
PL-60969			
1	00-974897-00002	Cap Screw 5/16-18 x 5/8 Hex Hd. (SST).....	4
2	00-946760-00002	Hinge - Door (Top).....	2
3	00-974793	Plate - Nut.....	2
4	00-974396-00001	Door Weldment, Right, 44/54, STD.....	1
5	00-974396-00002	Door Weldment, Right, 44/64/ HTS.....	1
6	00-974909	Bearing.....	2
7	SC-125-94	Mach. Screw 1/4-20 x 1 Phil. Truss Hd. (SST).....	4
8	00-815405	Handle - Door.....	1
9	00-814895	Retainer - Magnet.....	1
10	00-290160	Magnet.....	1
11	SC-125-85	Mach. Screw 1/4-20 x 5/8 Phil. Truss Hd. (SST).....	5
12	00-919949	Seal - Door Bottom (RH).....	1
13	00-557950	Gasket.....	1
14	00-974400-00001	Door Weldment, Left, 44/64, STD (Incls. Items 16 thru 23).....	1
15	00-974400-00002	Door Weldment, Left, 44/64, HTS (Incls. Items 16 thru 23).....	1
16	SC-125-85	Mach. Screw 1/4-20 x 5/8 Phil. Truss Hd. (SST).....	5
17	00-919958	Seal - Door Bottom (LH).....	1
18	00-557950	Gasket.....	1
19	00-290160	Magnet.....	1
20	00-814895	Retainer - Magnet.....	1
21	00-815405	Handle - Door.....	1
22	SC-125-94	Mach. Screw 1/4-20 x 1 Phil. Truss Hd. (SST).....	4
23	00-974909	Bearing.....	2
24	00-936266	Gasket - Hinge.....	2
25	00-935868	Pin - Hinge.....	2
26	NS-047-82	Stop Nut 1/4-20 Hex (SST).....	4
27	00-814633-00002	Mount - Reed Switch Weldment.....	2
28	00-814624	Switch - Interlock.....	2
29	NS-031-15	Stop Nut 10-24 Hex (SST).....	8
30	FE-022-40	Bushing - Electrical Snap.....	1



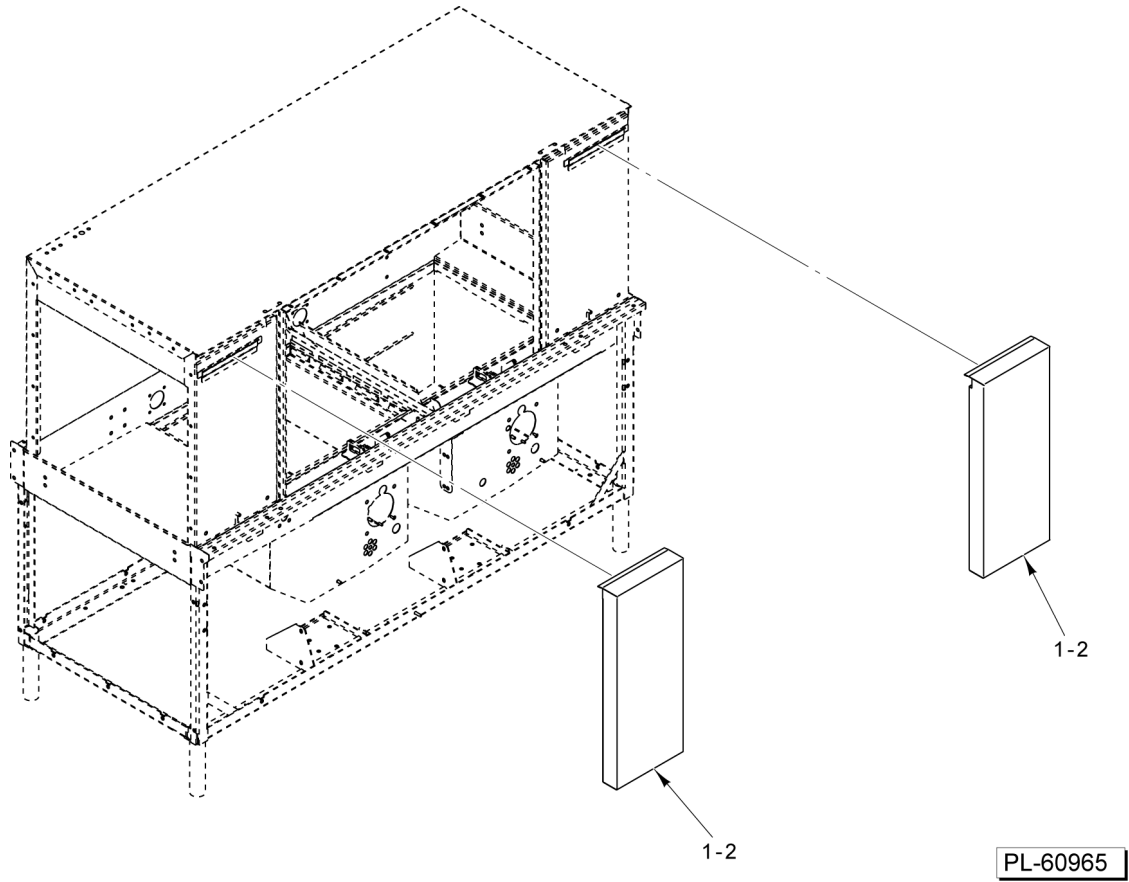
CL64eN SHOWN

PL-60947

LOWER PANELS

LOWER PANELS

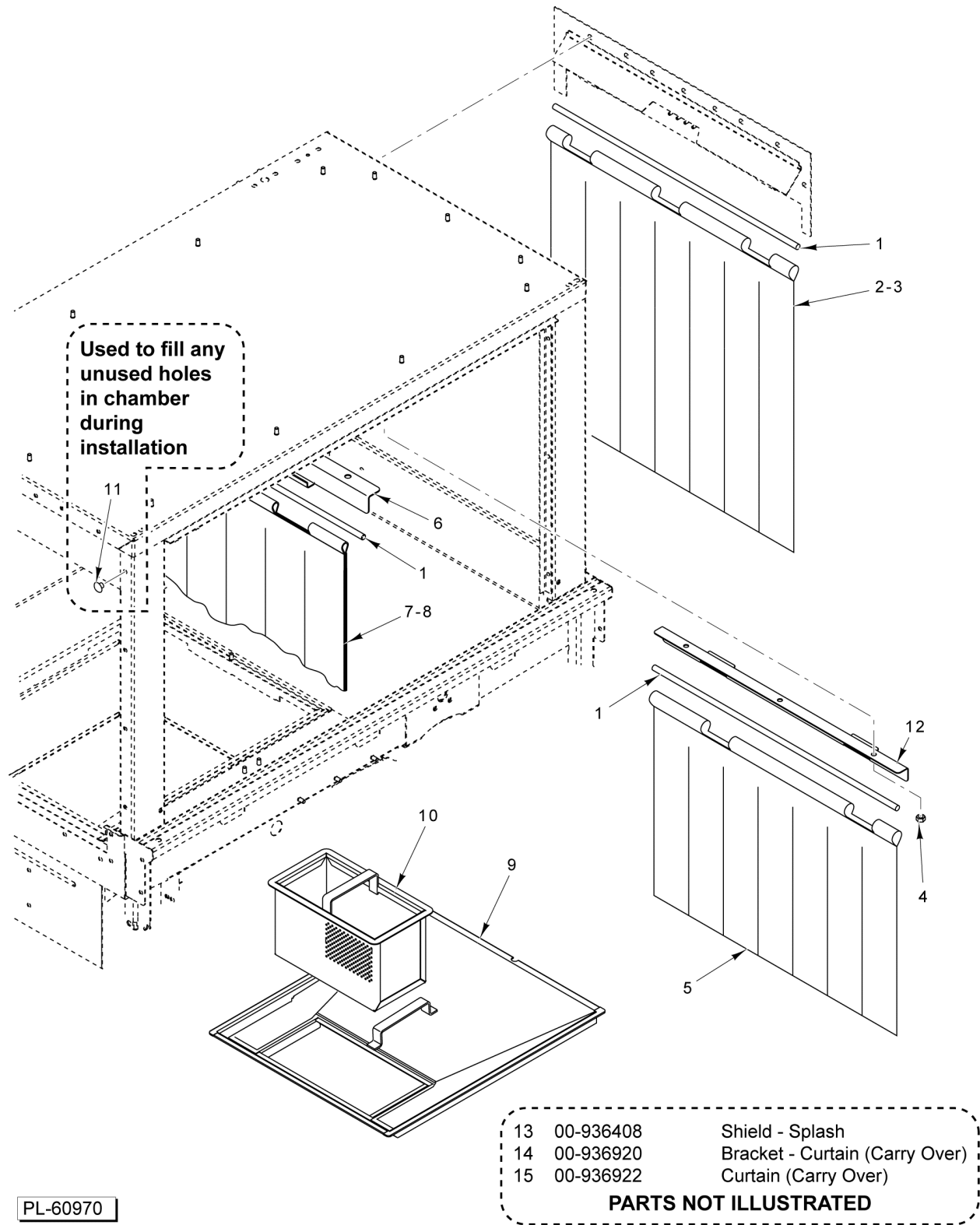
ILLUS.	PART NO.	NAME OF PART	AMT.
PL-60947			
1	SC-125-15	Mach. Screw 1/4-20 x 1/2 Phil. Truss Hd.....	AR
2	00-936574-00002	Trim - Tank End (RH).....	1
3	00-919867	Panel - Trim End (Right) (CL44/64/66/86eN L-R & R-L; DDU R-L; CL54/76eN R-L)	1
4	00-919867-00002	Trim - Panel Right End (CL54/76eN L-R).....	1
5	00-919867-00003	Trim - Panel Right End (DDU L-R).....	1
6	00-974407	Trim - Front Panel (CL44/54eN).....	1
7	00-974408	Trim - Front Panel (CL64/eN).....	1
8	0F-047613	Label - Cleaning Instructions (Tri-lingual).....	1
9	00-288946-00002	Foot - Adjustable.....	4
10	00-919877	Panel - Bottom Trim.....	1
11	SC-041-05	Cap Screw 1/4-20 x 5/8 Hex Hd. (SST).....	AR
12	00-919875	Trim - Panel Left End (CL44/64/66/86eN L-R & R-L; DDU R-L; CL54/76eN R-L).....	1
13	00-919875-00002	Trim - Panel Left End (CL54/76eN L-R).....	1
14	00-919875-00003	Trim - Panel Left End (DDU L-R).....	1
15	00-936574-00001	Trim - Tank End (LH).....	1
16	NS-031-19	Stop Nut 1/4-20 Hex (SST).....	AR
17	00-936131	Trim - Rear Panel (L-R) (CL44/54eN).....	1
18	00-919876	Trim - Rear Panel (R-L) (CL44/54eN).....	1
19	00-936443	Trim - Rear Panel (L-R) (CL64eN).....	1
20	00-919246	Trim - Rear Panel (R-L) (CL64eN).....	1
21	0F-047614	Label - De-Lime Instructions (Tri-Lingual).....	1



UPPER PANELS (CL64EN)

UPPER PANELS (CL64EN)

ILLUS.	PART NO.	NAME OF PART	AMT.
PL-60965			
1	00-935963-00001	Panel - Chamber Trim (STD).....	2
2	00-935963-00002	Panel - Chamber Trim (HTS).....	2

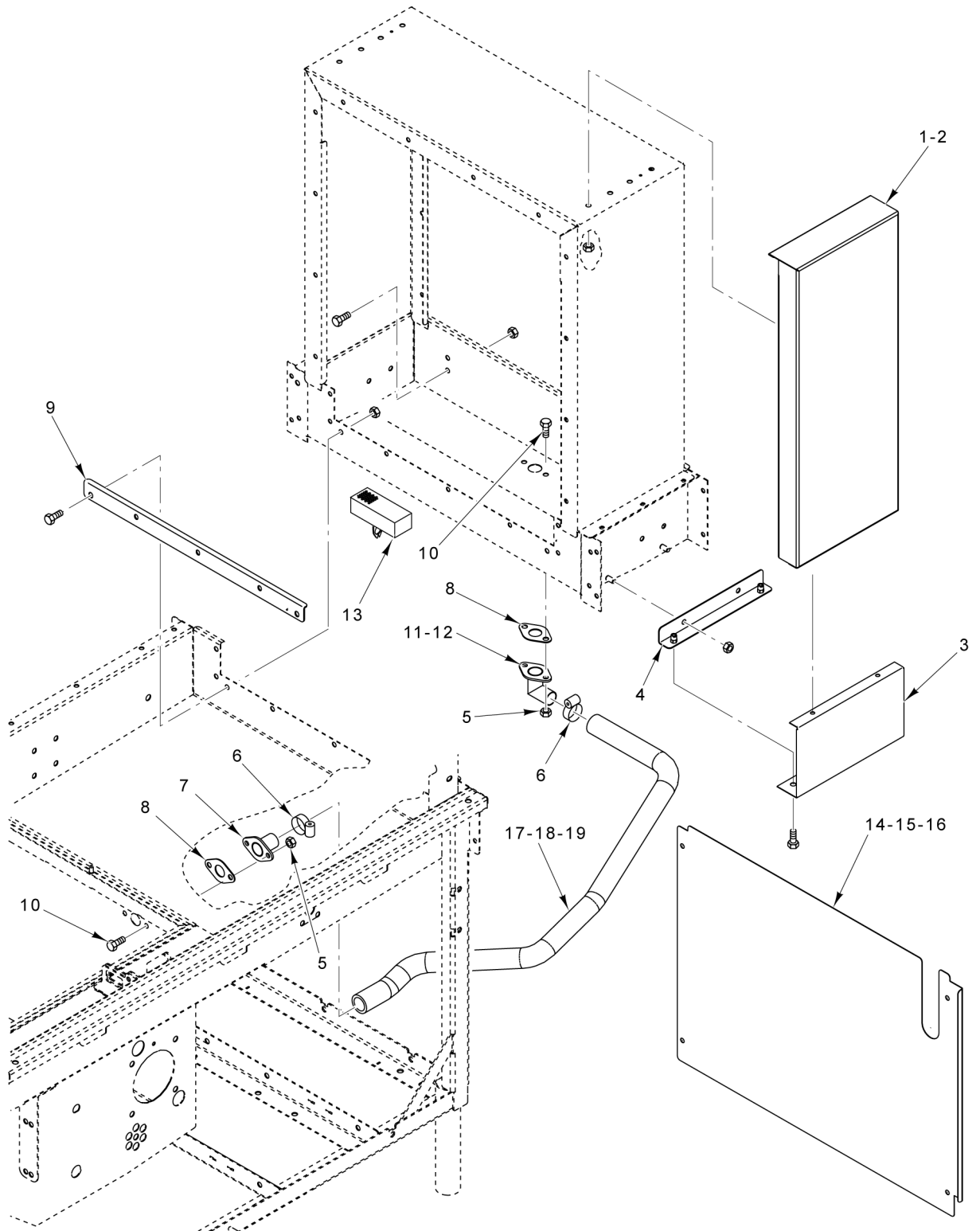


PL-60970

CURTAINS AND STRAINERS

CURTAINS AND STRAINERS

ILLUS.	PART NO.	NAME OF PART	AMT.
PL-60970			
1	00-919507	Rod - Curtain.....	4
2	00-919758	Curtain - Splash (4 Ply) (STD).....	2
3	00-919975	Curtain - Splash (4 Ply) (HTS).....	2
4	NS-036-19	Stop Nut 5/16-18 Hex (SST).....	5
5	00-919509	Curtain - Splash (Short).....	1
6	00-936427	Bracket - Wash Curtain (CL64/86eN).....	1
7	00-936428	Curtain - Wash (3-Ply) (STD) (CL64/86eN).....	1
8	00-936429	Curtain - Wash (3-Ply) (HTS) (CL64/86eN).....	1
9	00-936025-00002	Strainer - One-Piece.....	1
10	00-936161	Strainer - Bucket.....	1
11	00-289082	Kit - Plug (Incls. 30 Plugs & RTV).....	AR
12	00-919809	Bracket - Curtain (Short).....	1
13	00-936408	Shield - Splash.....	1
14	00-936920	Bracket - Curtain (Carry Over).....	1
15	00-936922	Curtain (Carry Over).....	1

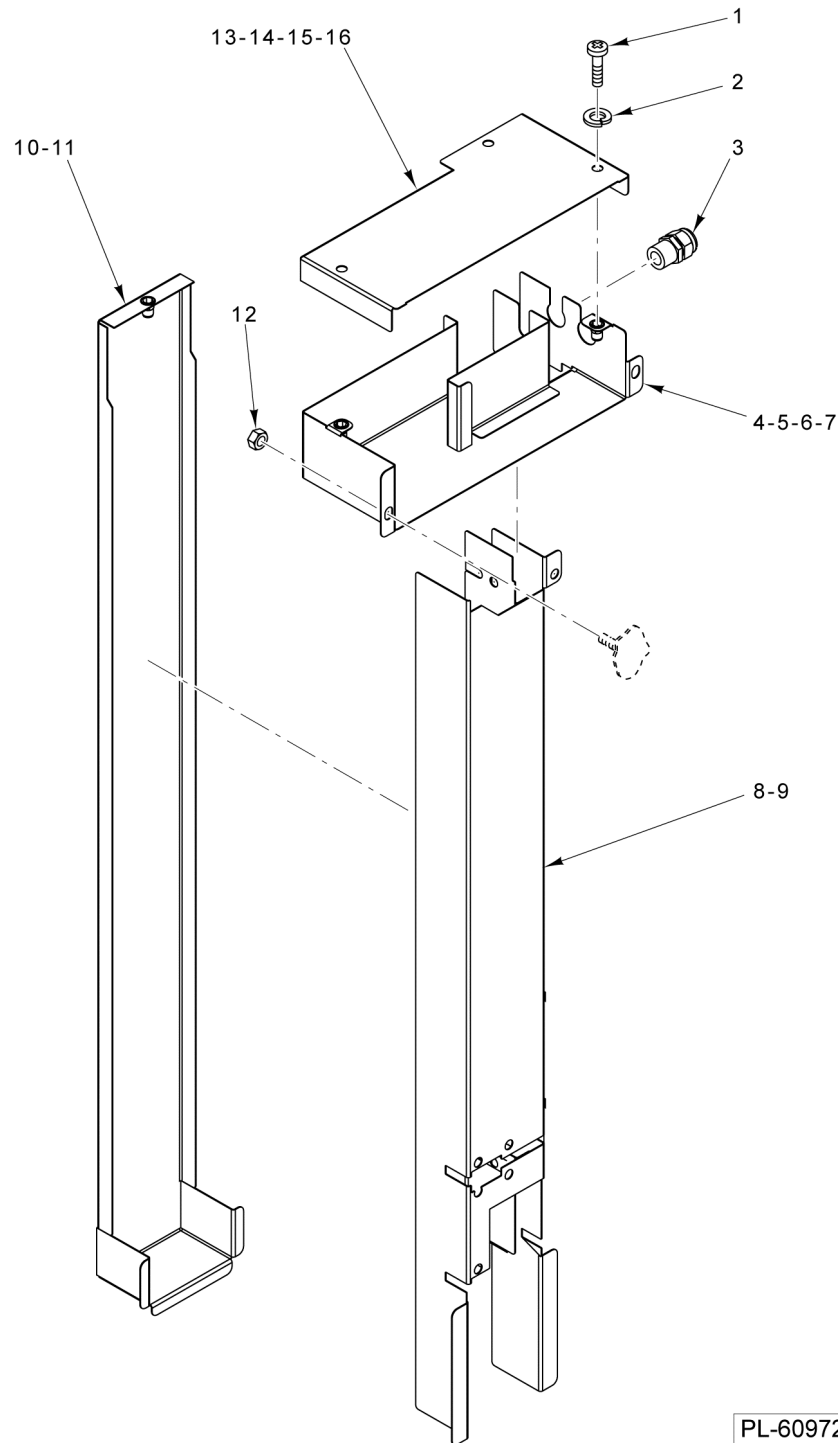


PL-60950

FLOWBACK AND PANELS (CL54EN)

FLOWBACK AND PANELS (CL54EN)

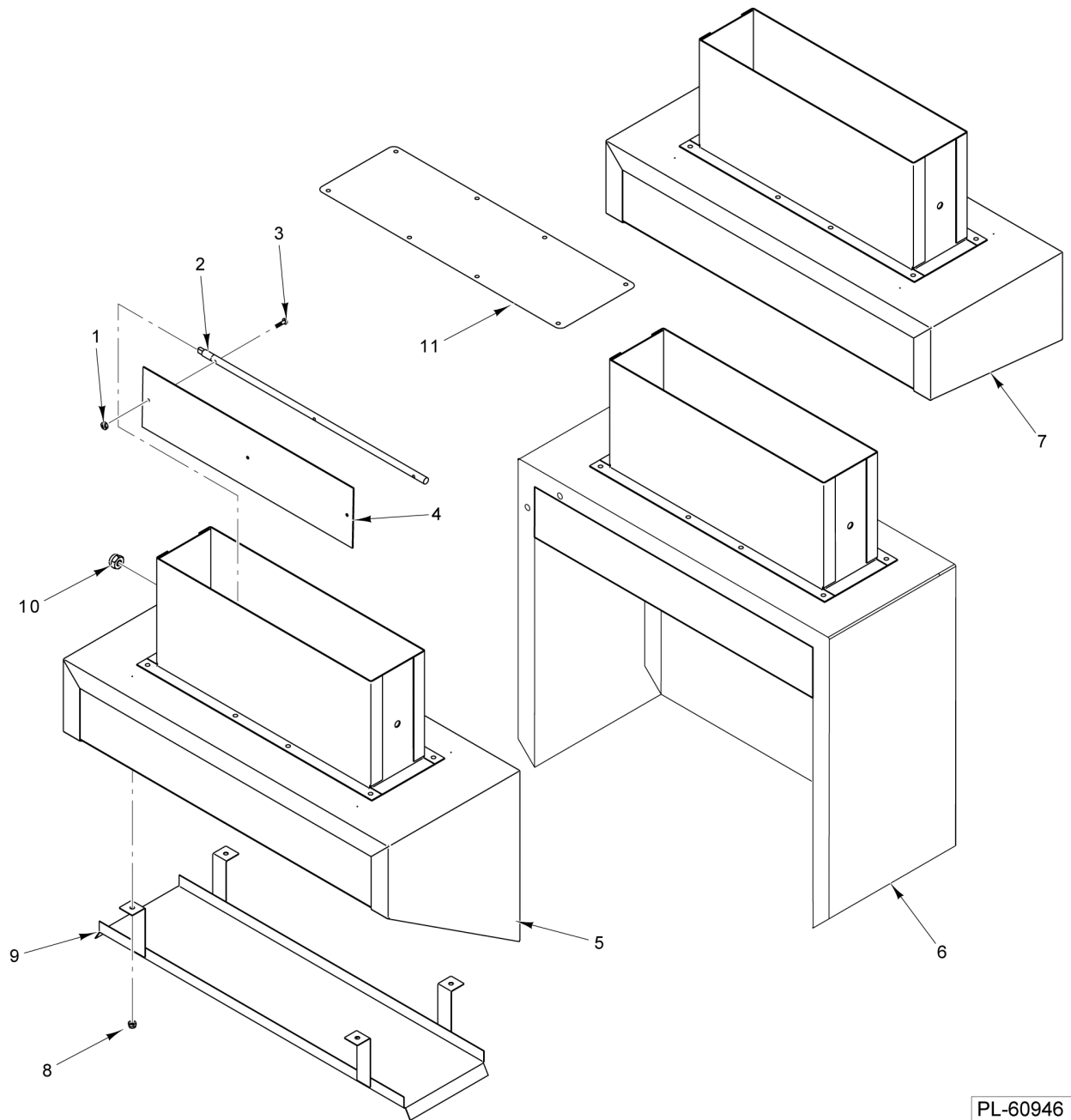
ILLUS.	PART NO.	NAME OF PART	AMT.
PL-60950			
1	00-814913-00001	Panel - Chamber Trim (STD).....	1
2	00-814913-00002	Panel - Chamber Trim (HTS).....	1
3	00-936075	Panel - Bottom Trim (10 In.).....	1
4	00-936093	Trim Assy. - Panel Mount (10 In.).....	1
5	NS-036-19	Stop Nut 5/16-18 Hex (SST).....	4
6	00-558195	Clamp - Hose.....	2
7	00-936312	Bulkhead - Drain 1 In. Hose.....	1
8	00-276407	Gasket - Rinse Pipe.....	2
9	00-935968	Support - Tank.....	1
10	SC-041-10	Cap Screw 5/16-18 x 5/8 Hex Hd. (SST).....	4
11	00-974564	Fitting - Drain (90 Deg.).....	1
12	00-936310	Fitting - Drain 90 Deg. (Base Machine).....	1
13	00-936415	Strainer - Drain Basket.....	1
14	00-974567	Trim - Panel Right End (L-R) (DWER & ADV).....	1
15	00-974566	Trim - Panel Left End (R-L) (DWER & ADV).....	1
16	00-919867-00002	Trim Panel (Base Machine).....	1
17	00-974561	Hose (R-L) (DWER & ADV).....	1
18	00-974561-00002	Hose (L-R) (DWER & ADV).....	1
19	00-936468-00001	Hose (1 In. I.D. x 26 In. Lg.) (Base Machine).....	1



WIREWAY

WIREWAY

ILLUS.	PART NO.	NAME OF PART	AMT.
PL-60972			
1	SC-041-50	Cap Screw 1/4-20 x 1/2 Hex Hd. (SST).....	AR
2	WL-006-17	Lockwasher 1/4 Helical (SST).....	AR
3	FE-022-84	Connector - Strain Relief.....	2
4	00-814747	Wireway (L-R) (CL44/54eN).....	1
5	00-814743	Wireway (R-L) (CL44/54eN).....	1
6	00-814751	Wireway (R-L) (CL64eN).....	1
7	00-814756	Wireway (L-R) (CL64eN).....	1
8	00-814760	Wireway (Vertical) (STD).....	1
9	00-814760-00002	Wireway (Vertical) (HTS).....	1
10	00-814763-00001	Cover - Vertical Wireway (STD).....	1
11	00-814763-00003	Cover - Vertical Wireway (HTS).....	1
12	NS-031-19	Stop Nut 1/4-20 Hex (SST).....	AR
13	00-814750	Lid - Wireway (L-R) (CL44/54eN).....	1
14	00-814746	Lid - Wireway (R-L) (CL44/54eN).....	1
15	00-814755	Lid - Wireway (R-L) (CL64eN).....	1
16	00-814759	Lid - Wireway (L-R) (CL64eN).....	1



PL-60946

VENT HOOD

VENT HOOD

ILLUS.	PART NO.	NAME OF PART	AMT.
PL-60946			
1	NS-031-50	Stop Nut 6-32 Hex (SST).....	3
2	00-064919	Shaft - Damper.....	1
3	SC-119-24	Mach. Screw 6-32 x 3/4 Phil. Pan Hd.....	3
4	00-075623	Damper - Vent Stack.....	1
5	ML-138156-0000Z	Vent Hood Assy. (Standard) (Incls. Items 1 thru 4, 8, 9, & 10).....	1
6	ML-138158-0000Z	Vent Hood Assy. (Extended) (Incls. Items 1 thru 4, 8, 9, & 10).....	1
7	ML-138160-0000Z	Vent Hood Assy. (Short) (Incls. Items 1 thru 4, 8, 9, & 10).....	1
8	NS-031-15	Stop Nut 10-24 Hex (SST).....	4
9	00-435799	Drip Shield Assy.....	1
10	NS-036-12	Stop Nut 3/8-24 Hex (SST).....	1
11	00-919347	Cover - Vent Stack.....	1

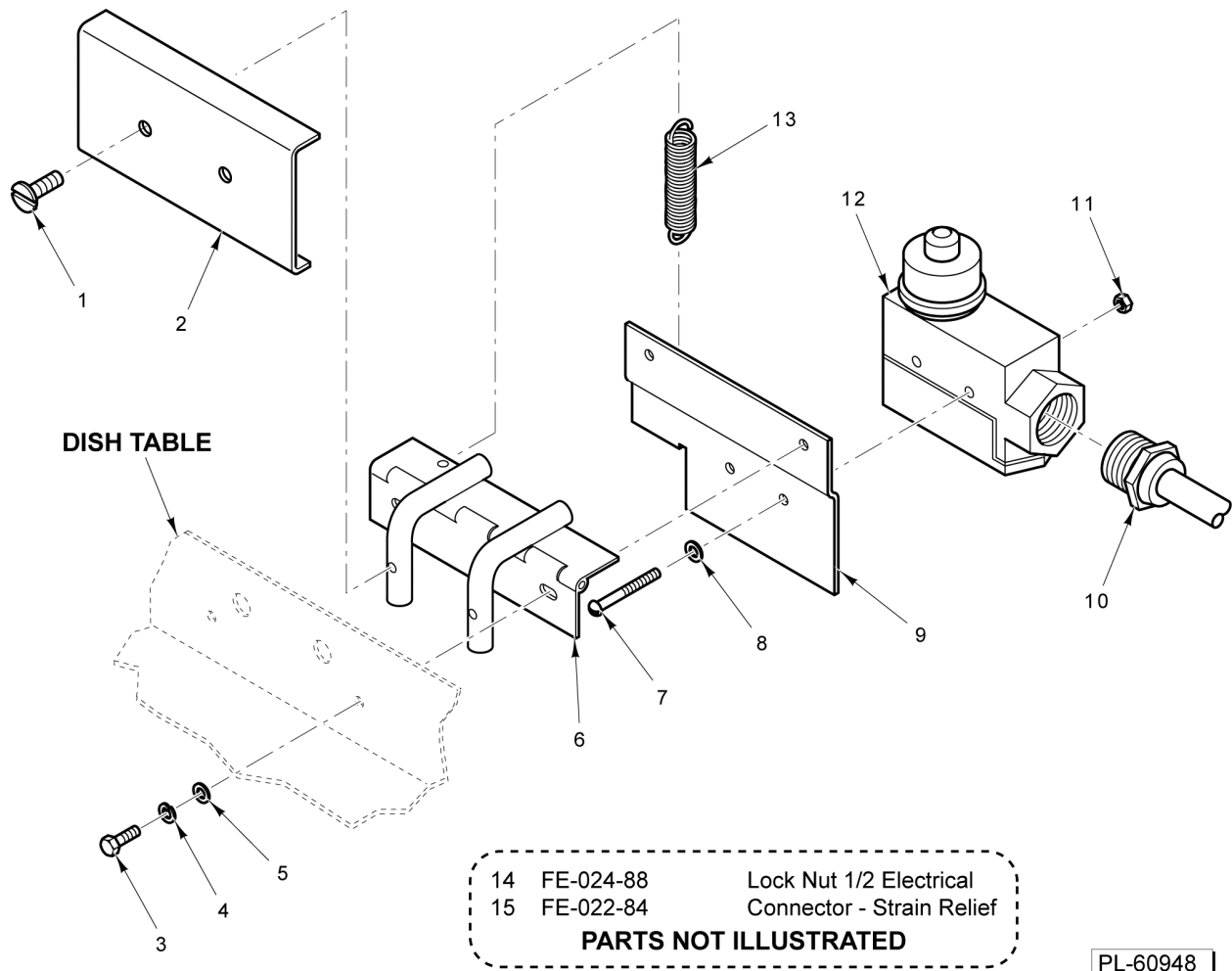
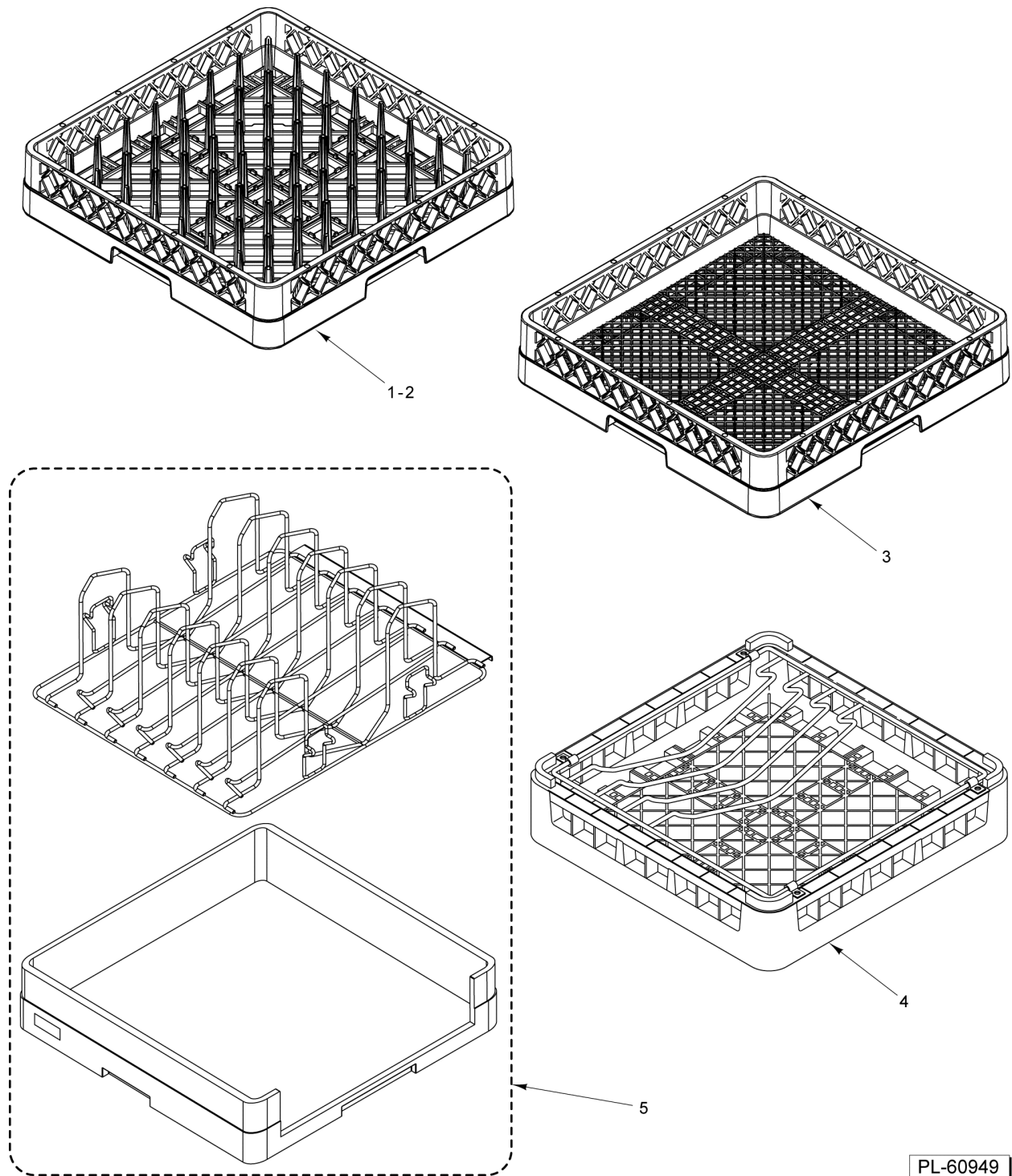


TABLE LIMIT SWITCH (ML-138163)

TABLE LIMIT SWITCH (ML-138163)

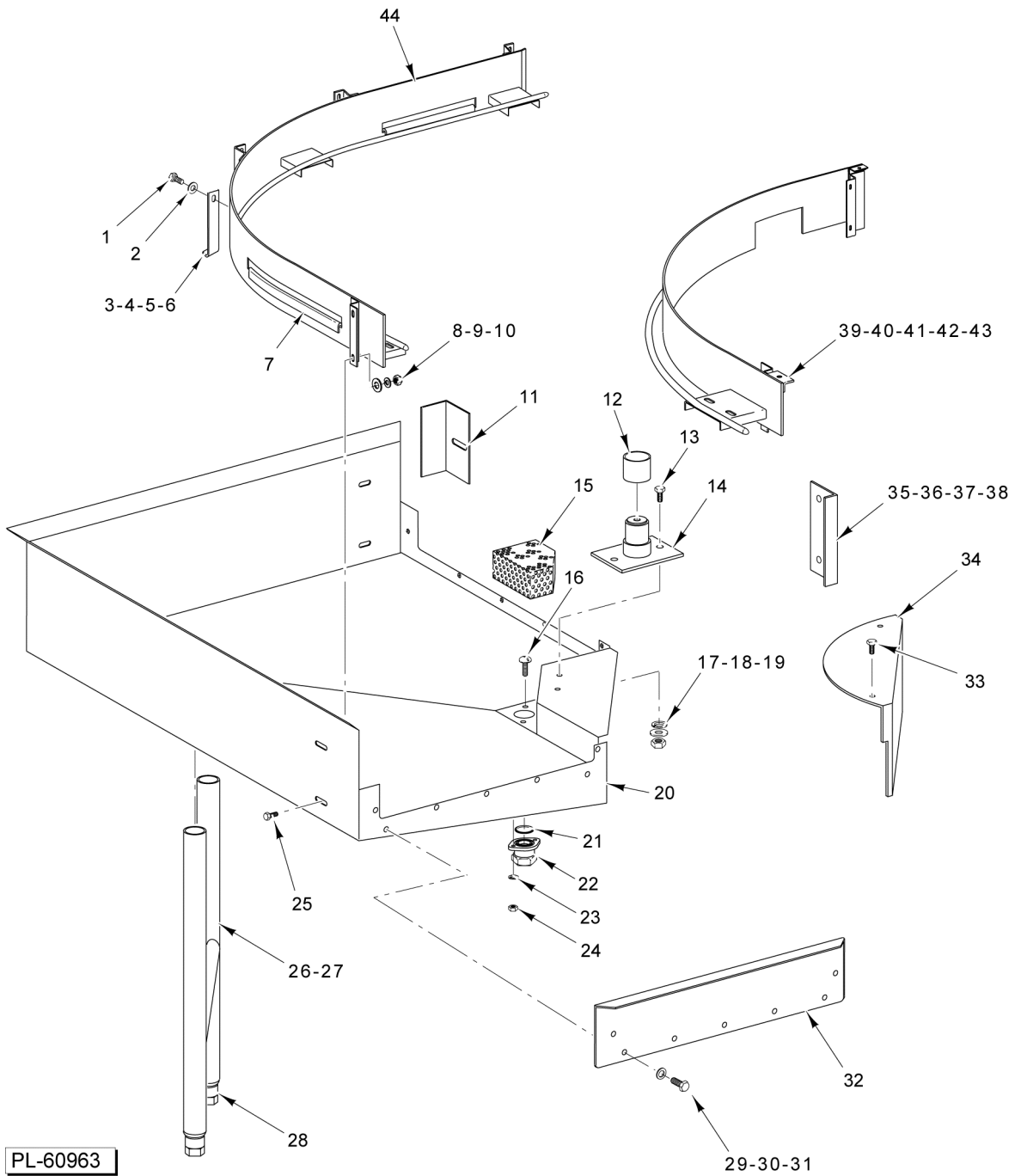
ILLUS.	PART NO.	NAME OF PART	AMT.
PL-60948			
1	SC-122-93	Mach. Screw 10-24 x 1/2 Phil. Truss Hd. (SST).....	2
2	00-814110	Plate - Actuator.....	1
3	SC-067-07	Mach. Screw 10-24 x 1/2 Hex Hd. (SST).....	2
4	WL-006-06	Lockwasher #10 Helical (SST).....	2
5	WS-023-03	Washer (SST).....	2
6	00-814109	Hinge Assy.....	1
7	SC-027-24	Mach. Screw 6-32 x 1-1/2 Slotted Rd. Hd. (Brass).....	2
8	WL-014-03	Lockwasher #6 External (SST).....	2
9	00-812936	Bracket - Interlock Switch.....	1
10	00-935951-00004	Cable - Table Limit Switch.....	1
11	NS-031-50	Stop Nut 6-32 Hex (SST).....	2
12	00-936279	Switch - Interlock.....	1
13	00-064165-00003	Spring - Connection.....	1
14	FE-024-88	Lock Nut 1/2 Electrical.....	1
15	FE-022-84	Connector - Strain Relief.....	2



DISH RACKS

DISH RACKS

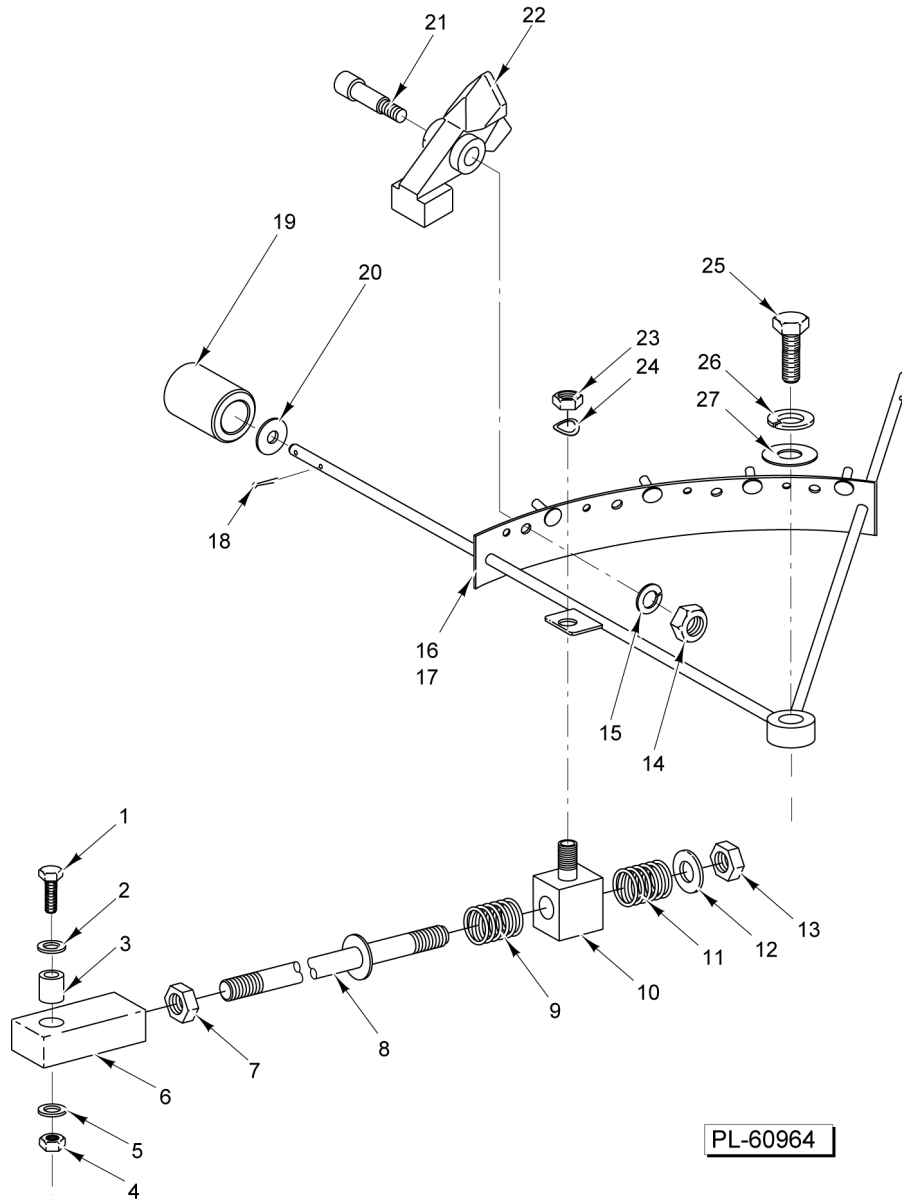
ILLUS. PL-60949	PART NO.	NAME OF PART	AMT.
1	00-315191	Rack - Peg (Packaged) (Shown).....	1
2	00-295288	Peg Type Tray Rack (Packaged) (Open End) (Not Shown).....	1
3	00-315193	Rack - Combination (Packaged).....	1
4	00-892671	Rack - Bun Pan (Packaged).....	1
5	00-936838-00009	Rack (6-Pan) (Packaged).....	1



**TABLE UNIT
(R-L OPERATION SHOWN)**

**TABLE UNIT
(R-L OPERATION SHOWN)**

ILLUS. PL-60963	PART NO.	NAME OF PART	AMT.
1	SC-041-05	Cap Screw 1/4-20 x 5/8 Hex Hd. (SST).....	2
2	WS-017-06	Washer (SST).....	2
3	00-474959-00001	Bracket - Support (Outer Guide) (RH).....	1
4	00-474959-00002	Bracket - Support (Outer Guide) (LH).....	1
5	WL-006-17	Lockwasher 1/4 Helical (SST).....	2
6	NS-015-01	Nut 1/4-20 Hex (SST).....	2
7	00-474960-00001	Slide - Carriage.....	4
8	WS-017-06	Washer (SST).....	4
9	WL-006-17	Lockwasher 1/4 Helical (SST).....	4
10	NS-015-01	Nut 1/4-20 Hex (SST).....	4
11	00-936696	Guard - Splash Chamber/Table.....	2
12	00-936705	Bearing - DDU Pivot.....	1
13	SC-041-05	Cap Screw 1/4-20 x 5/8 Hex Hd. (SST).....	2
14	00-936652	Axle - Carriage Weldment.....	1
15	00-474993	Strainer - Weldment.....	1
16	SC-127-94	Mach. Screw 5/16-18 x 7/8 Truss Hd. (SST).....	2
17	WS-017-06	Washer (SST).....	2
18	WL-006-17	Lockwasher 1/4 Helical (SST).....	2
19	NS-015-01	Nut 1/4-20 Hex (SST).....	2
20	00-936704	Table Weldment.....	1
21	00-067500-00020	O-Ring.....	1
22	00-107954	Drain Flange Assy.....	1
23	WL-006-22	Lockwasher 5/16 Light.....	2
24	NS-015-11	Nut 5/16-18 Hex (SST).....	2
25	SC-041-05	Cap Screw 1/4-20 x 5/8 Hex Hd. (SST).....	4
26	00-474957-00001	H-Frame Leg Assy. (26").....	1
27	00-474957-00002	H-Frame Leg Assy. (24").....	1
28	00-288946-00002	Foot - Adjustable (1-5/8) (SST).....	1
29	SC-041-05	Cap Screw 1/4-20 x 5/8 Hex Hd. (SST).....	7
30	WL-006-17	Lockwasher 1/4 Helical (SST).....	7
31	NS-015-01	Nut 1/4-20 Hex (SST).....	7
32	00-936708	End - Table (Discharge).....	1
33	SC-041-05	Cap Screw 1/4-20 x 5/8 Hex Hd. (SST).....	4
34	00-474980	Cover - Table Corner.....	1
35	00-474992	Guard - Splash Table.....	1
36	SC-041-05	Cap Screw 1/4-20 x 5/8 Hex Hd. (SST).....	2
37	WL-006-17	Lockwasher 1/4 Helical (SST).....	2
38	NS-015-01	Nut 1/4-20 Hex (SST).....	2
39	00-474972	Guide - Track (Inner).....	1
40	SC-041-05	Cap Screw 1/4-20 x 5/8 Hex Hd. (SST).....	2
41	WS-017-06	Washer (SST).....	2
42	WL-006-17	Lockwasher 1/4 Helical (SST).....	2
43	NS-015-01	Nut 1/4-20 Hex (SST).....	2
44	00-474961	Guide - Track (Outer).....	1



**CARRIAGE AND LINKAGE
(DRIVE MECHANISM)**

**CARRIAGE AND LINKAGE
(DRIVE MECHANISM)**

ILLUS.	PART NO.	NAME OF PART	AMT.
PL-60964			
1	SC-041-17	Cap Screw 5/16-18 x 1-1/2 Hex Hd. (SST).....	1
2	WS-029-05	Washer 0.328 x 0.750 x 0.062 (SST).....	1
3	00-474984	Spacer (Linkage Drive).....	1
4	NS-031-29	Stop Nut 5/16-18 Hex (SST).....	1
5	WS-029-05	Washer 0.328 x 0.750 x 0.062 (SST).....	1
6	00-474990	Drive Rod - Adjustable End.....	1
7	NS-015-13	Nut 3/8-16 Hex (SST).....	1
8	00-936752	Rod - Drive.....	1
9	00-936751	Spring - DDU.....	1
10	00-936748	Block - DDU Drive.....	1
11	00-936751	Spring - DDU.....	1
12	WS-018-24	Washer.....	1
13	NS-046-09	Stop Nut 3/8-16 (SST).....	1
14	NS-015-11	Nut 5/16-18 Hex (SST).....	4
15	WL-006-22	Lockwasher 5/16 Light.....	4
16	00-936655	Carriage - Weldment (R-L).....	1
17	00-936707	Carriage - Weldment (L-R).....	1
18	PC-005-11	Cotter Pin 3/32.....	4
19	00-936703	Roller - Carriage.....	2
20	WS-021-01	Washer.....	4
21	SC-130-94	Shoulder Screw 38 x 1 Hex Socket Hd. (SST).....	4
22	00-936750	Dog - DDU.....	4
23	NS-046-09	Stop Nut 3/8-16 (SST).....	1
24	SL-005-16	Spring - Loading.....	1
25	SC-041-05	Cap Screw 1/4-20 x 5/8 Hex Hd. (SST).....	1
26	WL-006-17	Lockwasher 1/4 Helical (SST).....	1
27	WS-017-24	Washer (SST).....	1

CLeN SERIES DISHWASHERS REPLACEMENT PARTS

ITEM	RECEPTACLE	CONTROLS	DESIGNATIONS	P/N	DESCRIPTION	WHERE USED	
						44/66 -54/76	64/86
1	J12	2LS	TANK 1, LIMIT SWITCH	00-919808-00008	LOW VOLTAGE, TANK 1, LR/RL	ALL	ALL
		1LS	TANK 1, LIMIT SWITCH				
		1FS	TANK 1, FLOAT SWITCH				
		2FS	TANK 1, FLOAT SWITCH				
		1TAS	TANK 1, TEMPERATURE SWITCH				
		1QTM	TANK 1, THERMISTOR				
	J2	7TB	TANK 1, DOOR RELAY BOARD				
2	J16	4TAS	BSTR - TEMPERATURE SWITCH	00-919808-00010	HARNESS BOOSTER, TEMP, RL/LR, ELEC/STM/GAS	ALL	ALL
		5TAS	BSTR - TEMPERATURE SWITCH				
		5QTM	BSTR - THERMISTOR				
3	J13	3FS	STM TANK 2-FLOAT SWITH	00-919808-00019	HARNESS, LOW VOLT, TANK 2, RL/LR, STM	NONE	ALL
		4FS	STM TANK 2-FLOAT SWITH				
		2QTM	STM TANK 2-THERMISTOR				
4	J12	2LS	STM TANK 1, LIMIT SWITCH	00-919808-00023	HARNESS, LOW VOLT, TANK 1, RL/LR, STM	ALL	ALL
		1LS	STM TANK 1, LIMIT SWITCH				
		1FS	STM TANK 1, FLOAT SWITCH				
		2FS	STM TANK 1, FLOAT SWITCH				
		1TAS	STM TANK 1, TEMPERATURE SWITCH				
		1QTM	STM TANK 1, THERMISTOR				
	J2	7TB	STM TANK 1, DOOR RELAY BOARD				
5	J13	3FS	PS TANK 2-FLOAT SWITH	00-919808-00004	HARNESS, LOW VOLT, TANK 2, RL/LR, ELEC/GAS	NONE	ALL
		4FS	PS TANK 2-FLOAT SWITH				
		2QTM	PS TANK 2-THERMISTOR				
6	J13	3FS	PS TANK 2-FLOAT SWITH	00-935879-00002	HARNESS, PS TANK 2,RL	66-76	NONE
		4FS	PS TANK 2-FLOAT SWITH				
		2QTM	PS TANK 2-THERMISTOR				
	J8	9LS	PS TANK 2, LIMIT SWITCH				
		7LS	PS TANK 2, LIMIT SWITCH				
7	J11	5FS	PS TANK 3-FLOAT SWITH	00-935879-00004	HARNESS, PS TANK 3	NONE	86
		6FS	PS TANK 3-FLOAT SWITH				
		3QTM	PS TANK 3-THERMISTOR				
	J8	3LS	PS TANK 3, LIMIT SWITCH				
		7LS	PS TANK 3, LIMIT SWITCH				
		9LS	PS TANK 3, LIMIT SWITCH				
8	J8	7LS	LIMIT SWITCH	00-935880-00002	HARNESS, RACK SWITCH, RL	44-54	NONE
		9LS	LIMIT SWITCH				
9	J8	7LS	LIMIT SWITCH	00-935880-00004	HARNESS, RACK SWITCH, RL/LR, ELEC/STM/GAS	NONE	64
		9LS	LIMIT SWITCH				
10	J3	1SOL	ONE TANK RINSE SOLENOID	00- 935951-006-1	HARNESS, RINSE	ALL	NONE
11	J3	1SOL	TWO/THREE TANK RINSE SOLENOID	00-935951-006-4	HARNESS, RINSE	NONE	ALL
12	JUMPER	TAS	GAS HARNESS TO HI LIMIT	00-936111-00208	ADAPTER (LEAD WIRE), GAS ONLY	ALL	ALL
13	J15	4QTM	FINAL RINSE THERMISTOR	00-936253-00002	CABLE, FINAL RINSE TEMPERA TURE	ALL	ALL
14		2SOL	FILL SOLENOID	00-936257-00002	CABLE, FILL	ALL	ALL
15			USED ON ALL MACHINES	00-919690-00000	HARNESS, MAIN,CNTRL BOX	ALL	ALL

A4704

ELECTRICAL CABLES

ELECTRICAL CABLES

ILLUS.	PART NO.	NAME OF PART	AMT.
PL-AI4704			
1	00-919808-00008	Cable - Tank 1 Low Voltage LR / RL.....	AR
2	00-919808-00010	Cable - Booster Harness RL / LR (Electric, Steam, Gas).....	AR
3	00-919808-00019	Cable - Tank 2 Low Voltage Harness RL / LR (Steam).....	AR
4	00-919808-00023	Cable - Tank 1 Low Voltage Harness RL / LR (Steam).....	AR
5	00-919808-00004	Cable - Tank 2 Low Voltage Harness RL / LR (Electric, Gas).....	AR
6	00-935879-00002	Cable - Tank 2 PS Harness RL.....	AR
7	00-935879-00004	Cable - Tank 3 PS Harness.....	AR
8	00-935880-00002	Cable - Rack Switch Harness RL.....	AR
9	00-935880-00004	Cable - Rack Switch Harness RL / LR (Electric, Steam, Gas).....	AR
10	00- 935951-006-1	Cable - Rinse Harness.....	AR
11	00- 935951-006-4	Cable - Harness Rinse.....	AR
12	00-936111-00208	Adapter - Lead Wire (Gas).....	AR
13	00-936253-00002	Cable - Final Rinse Temperature.....	AR
14	00-936257-00002	Cable - Fill.....	AR
15	00-919690-00000	Cable - Control Box Main Harness.....	AR

