



CATALOG OF REPLACEMENT PARTS

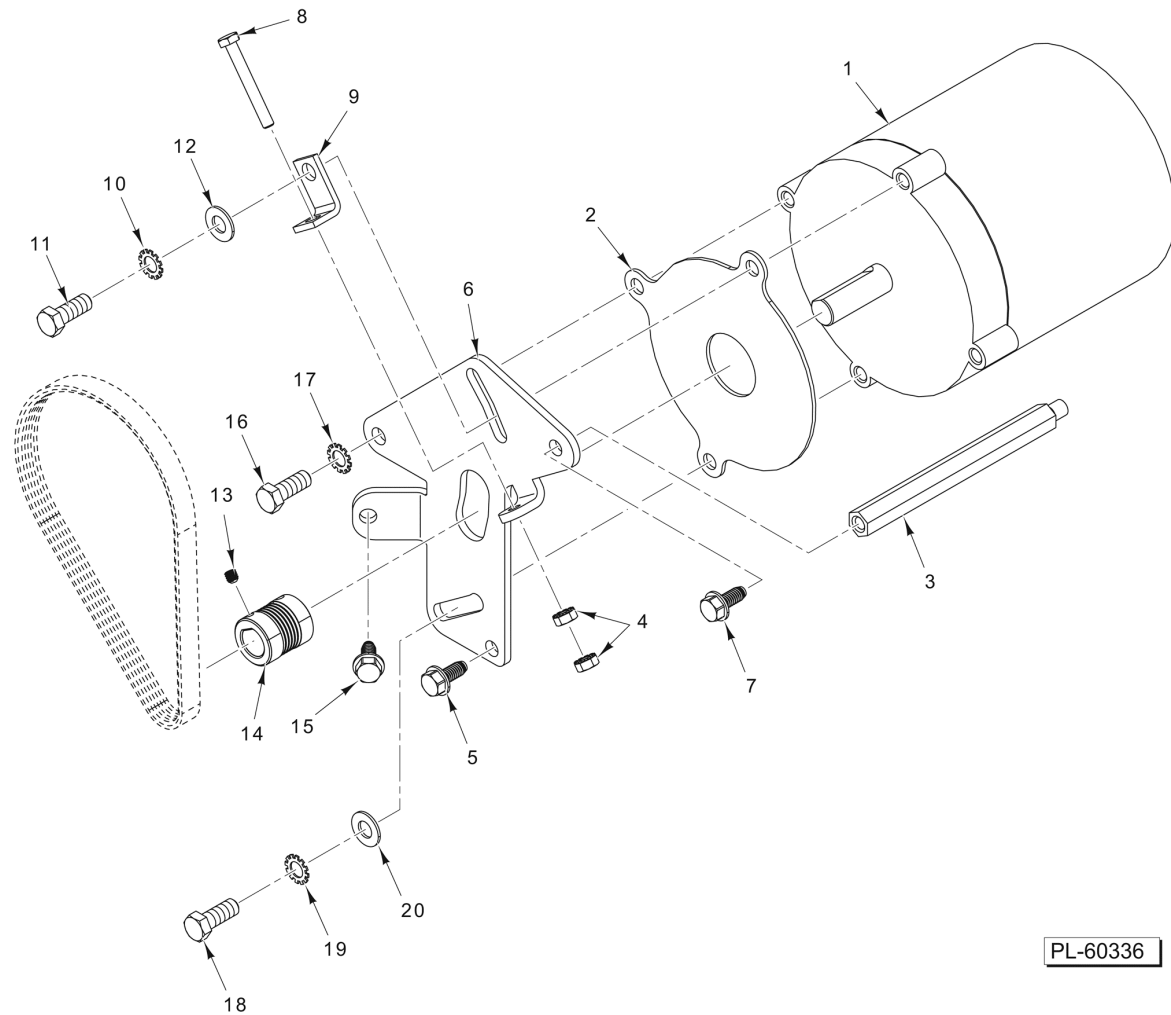


HS SERIES MANUAL SLICERS

ML-136244	HS6
ML-136245	HS6N
ML-136264	HS6 (Canada)
ML-136265	HS6N (Canada)
ML-136292	HS6N-1GC
ML-136303	HS6-PHS
ML-136250	HS8
ML-136251	HS8N
ML-136268	HS8 (Canada)
ML-136269	HS8N (Canada)
ML-136274	HS8N-CB1

Table of Contents

5	KNIFE DRIVE MOTOR
7	TOP COVER AND RING GUARD
9	KNIFE AND KNIFE SHAFT
11	GAUGE PLATE AND INDEX
13	PRODUCT TRAY AND MEAT GRIP ASSEMBLY
15	KNIFE SHARPENER ASSEMBLY
17	TRANSPORT CARRIAGE ASSEMBLY
19	CONTROLS AND ELECTRICAL COMPONENTS
21	BASE AND KICK STAND
23	WIRE HARNESSSES
25	ACCESSORIES

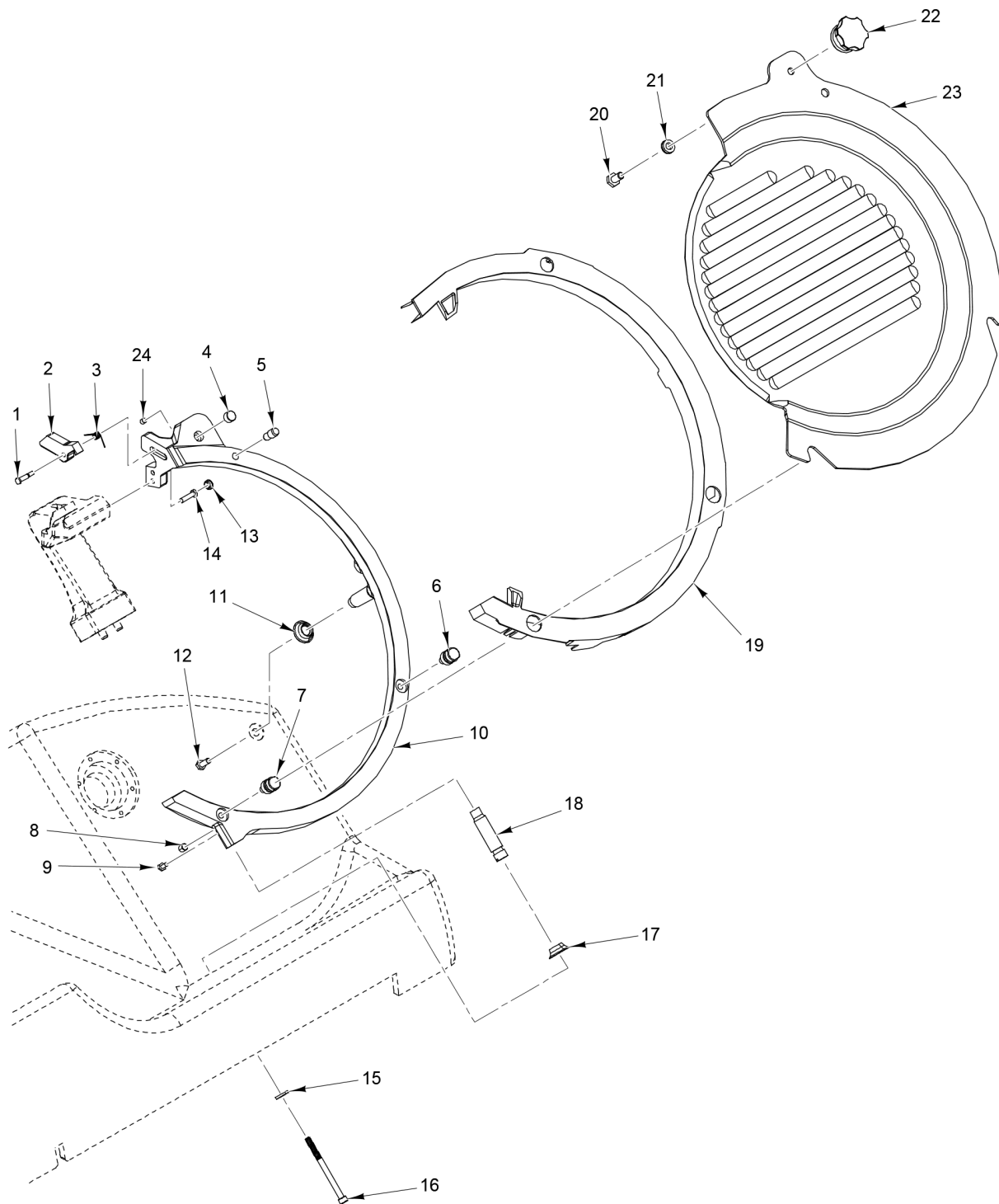


PL-60336

KNIFE DRIVE MOTOR

KNIFE DRIVE MOTOR

ILLUS. PL-60336	PART NO.	NAME OF PART	AMT.
1	00-438846-00001	Motor (60 Hz.).....	1
2	00-439032	Gasket - Motor.....	1
3	00-438984	Standoff.....	1
4	NS-044-14	Nut - 1/4-20 Hex "Keps".....	2
5	SD-038-18	Self-Tapping Screw 5/16-18 x 3/4 Hex Washer Hd., Type RL.....	1
6	00-477760	Plate - Motor.....	1
7	SD-038-18	Self-Tapping Screw 5/16-18 x 3/4 Hex Washer Hd., Type RL.....	1
8	SC-118-98	Cap Screw 1/4-20 x 2 Hex Hd.....	1
9	00-477532	Bracket - Tensioner Adjustment.....	1
10	WL-007-25	Lockwasher 3/8 External.....	1
11	SC-037-73	Cap Screw 3/8-16 x 1 Hex Hd.....	1
12	WS-018-22	Washer.....	1
13	SC-123-65	Set Screw 1/4-28 x 3/8 Hex Hdls., Flat Pt. (SST).....	2
14	00-438844-00002	Sheave - Poly "V".....	1
15	SD-038-18	Self-Tapping Screw 5/16-18 x 3/4 Hex Washer Hd., Type RL.....	1
16	SC-037-73	Cap Screw 3/8-16 x 1 Hex Hd.....	1
17	WL-007-25	Lockwasher 3/8 External.....	1
18	SC-037-73	Cap Screw 3/8-16 x 1 Hex Hd.....	1
19	WL-007-25	Lockwasher 3/8 External.....	1
20	WS-018-22	Washer.....	1

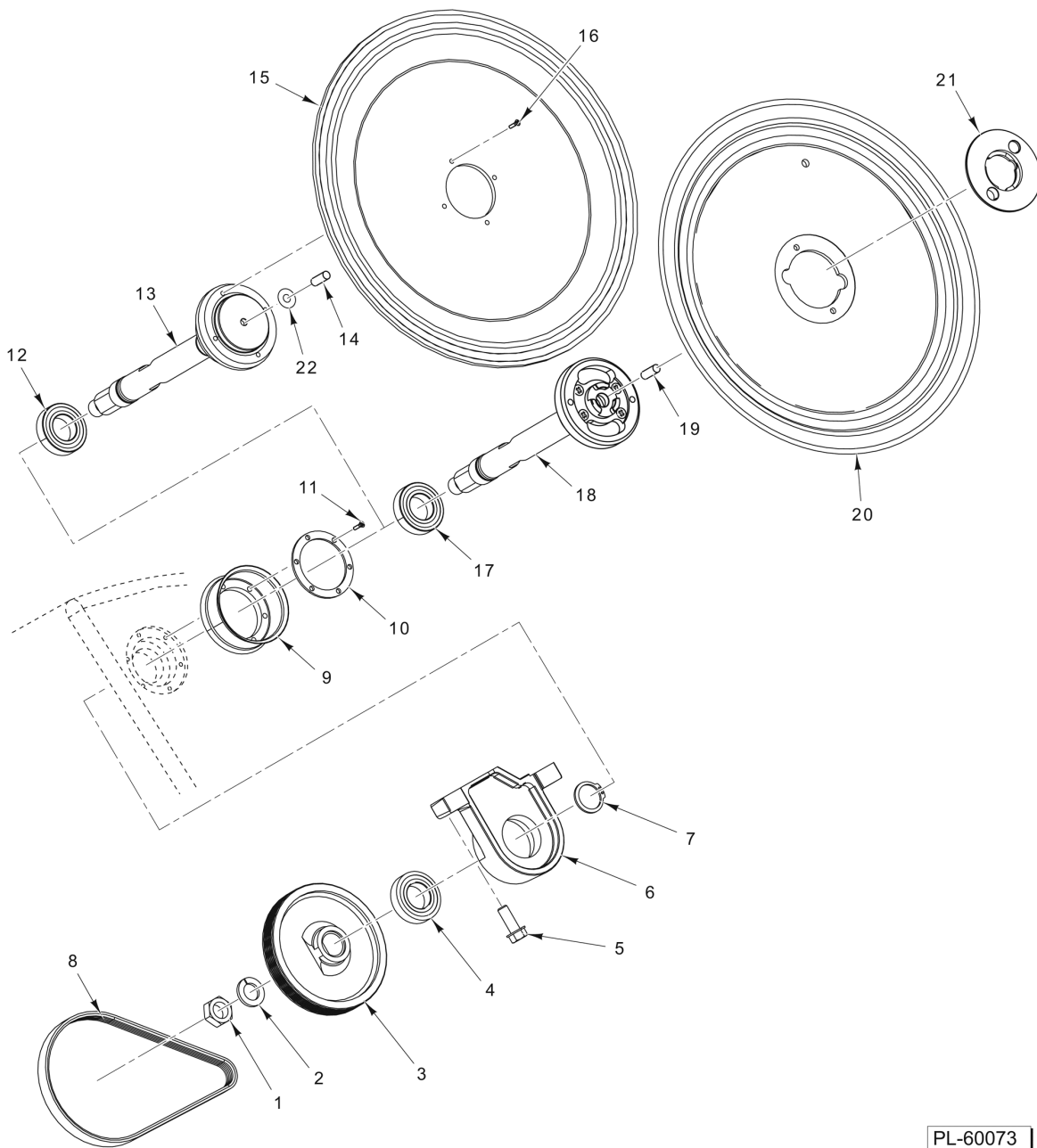


PL-60072

TOP COVER AND RING GUARD

TOP COVER AND RING GUARD

ILLUS.	PART NO.	NAME OF PART	AMT.
PL-60072			
1	00-914411	Pin - Lock.....	1
2	00-914409-00003	Lock - Knife Edge Protector.....	1
3	00-914425	Lock - Torsion Spring.....	1
4	00-915319	Magnet.....	1
5	00-915299	Pin - Top Cover.....	1
6	00-915378	Pin - Tapered.....	1
7	00-915378	Pin - Tapered.....	1
8	00-914634	Magnet - Product Deflector.....	1
9	SC-130-21	Mach. Screw 6-32 x 5/16 Hex Hd. (SST).....	1
10	00-915390	Ring Guard Assy. (Incls. Items 1 thru 9 & 24).....	1
11	00-914429	Boot - Ring Guard.....	1
12	SC-037-80	Mach. Screw 10-24 x 1/2 Hex Hd.....	1
13	00-914430	Plug.....	2
14	SC-129-78	Cap Screw 8-32 x 5/8 Hex Socket Hd.....	2
15	WS-031-78	Washer.....	1
16	SC-131-56	Cap Screw 10-24 x 2-1/2 Hex Socket Hd.....	1
17	00-914429	Boot - Ring Guard.....	1
18	00-915300	Post - Ring Guard.....	1
19	00-914408	Cover - Ring Guard.....	1
20	SC-131-80	Cap Screw 1/4-20 x 1/2 Hex Hd. (SST).....	1
21	WS-031-80	Washer.....	1
22	00-915297	Knob - Top Cover.....	1
23	00-915391	Top Cover Assy. (Incls. Items 20, 21, & 22).....	1
24	SC-131-63	Set Screw 1/4-20 x 1/4 Hex Hdls., Flat Pt. (SST).....	1

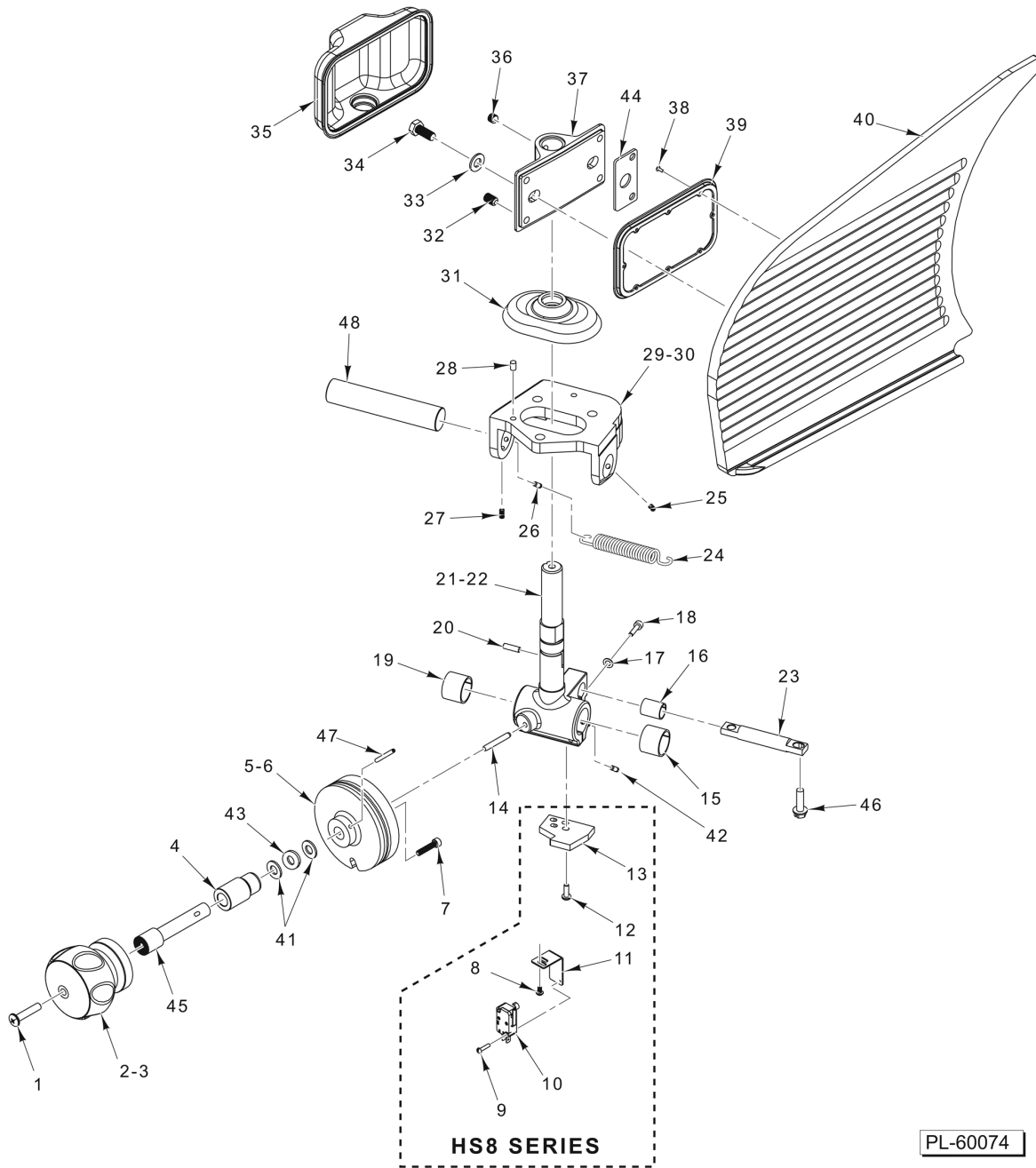


PL-60073

KNIFE AND KNIFE SHAFT

KNIFE AND KNIFE SHAFT

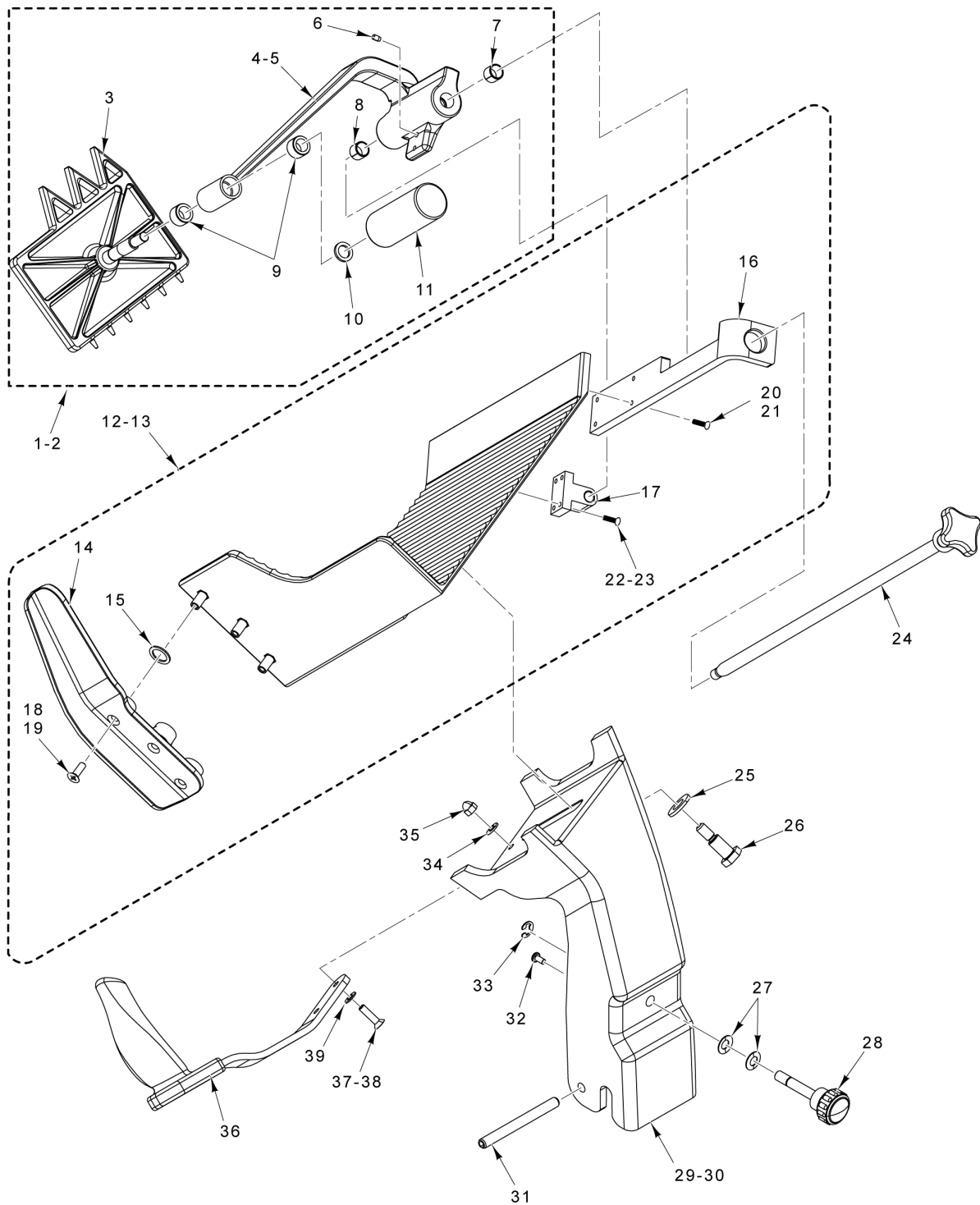
ILLUS.	PART NO.	NAME OF PART	AMT.
1	NS-017-41	Jam Nut 5/8-18 Hex (SST).....	1
2	WL-004-17	Lockwasher 5/8 Light.....	1
3	00-439049	Sheave - Poly "V" Large 6 Groove.....	1
4	BB-021-66	Bearing - Ball.....	1
5	SC-123-50	Cap Screw 3/8-16 x 1 Hex Washer Hd.....	2
6	00-875180-00002	Retainer - Lower Hub & Bearing (Incls. Item 4).....	1
7	RR-009-07	Retaining Ring.....	1
8	00-438845	Belt - Poly "V".....	1
9	00-915341	Boot - Knife Shaft.....	1
10	00-915342	Ring - Boot.....	1
11	SC-131-62	Cap Screw 8-32 x 7/8 Hex Socket Hd. (SST).....	6
12	BB-021-66	Bearing - Ball.....	1
13	00-915283-00003	Knife Shaft Assy. (Non-Removable) (Incls. Item 12).....	1
14	00-915308	Plug - Rulon.....	1
15	00-914753-00002	Knife - Slicer Pack (Non-Removable).....	1
16	SC-114-99	Mach. Screw 10-32 x 1/2 Phil. Flat Hd. (SST).....	4
17	BB-021-66	Bearing - Ball.....	1
18	00-915421	Knife Shaft Assy. (Removable) (Incls. Item 17).....	1
19	00-914561	Screw - Rulon.....	1
20	00-914753	Knife - Slicer Pack (Removable).....	1
21	00-914422	Plate - Knife Removal Clamp.....	1
22	WS-031-82	Washer.....	AR



GAUGE PLATE AND INDEX

GAUGE PLATE AND INDEX

ILLUS.	PART NO.	NAME OF PART	AMT.
PL-60074			
1	SC-125-95	Mach. Screw 1/4-20 x 1-1/4 Phil. Pan Hd. (SST).....	1
2	00-915292	Knob - Index Assy.....	1
3	00-915292-00002	Knob - Index Assy. (ML-136274) (HS8N-CB1).....	1
4	00-915304	Bushing - Index.....	1
5	00-915335-00001	Cam - Index.....	1
6	00-914122	Cam - Indexing (ML-136292) (HS6N-1GC).....	1
7	SC-131-75	Cap Screw 10-32 x 7/8 Hex Socket Hd. (SST).....	1
8	SC-125-33	Mach. Screw 6-32 x 1/4 Phil. Rd. Hd. (SST) (HS8 Series).....	2
9	SC-021-02	Mach. Screw 4-40 x 1/2 Slotted Rd. Hd. (SST) (HS8 Series).....	2
10	00-087711-00358	Switch - Miniature (Interlock) (HS8 Series).....	1
11	00-915291	Bracket (Close to Stop) (HS8 Series).....	1
12	SC-093-05	Mach. Screw 8-32 x 1/2 Slotted Pan Hd. (SST) (HS8 Series).....	4
13	00-915358	Bracket (Interlock Stop) (HS8 Series).....	1
14	00-478461	Pin - Index Cam.....	1
15	00-478426	Bushing - Index Slide.....	1
16	00-478425	Bushing - Anti-Rotation Rod.....	1
17	WS-008-13	Washer - Retaining.....	3
18	SC-124-46	Cap Screw 10-24 x 3/4 Hex Socket Hd.....	3
19	00-478426	Bushing - Index Slide.....	1
20	RP-002-35	Roll Pin 3/16 Dia. x 5/8 Lg. (SST).....	1
21	00-915306-00002	Slide - Index (Incls. Items 14 thru 20 & 42).....	1
22	00-915380-00003	Slide - Index (ML-136292) (HS6N-1GC) (Incls. Items 14 thru 20 & 42).....	1
23	00-478415	Rod - Index Anti-Rotation.....	1
24	00-478432	Spring - Index Backlash.....	1
25	SC-088-71	Set Screw 8-32 x 3/8 Hdls., Flat Pt.....	1
26	PG-011-38	Pin - Grooved 5/32 x 19/32 (SST).....	1
27	SC-088-71	Set Screw 8-32 x 3/8 Hdls., Flat Pt.....	1
28	00-011800-00305	Pin - Dowel 1/4 x 3/4.....	2
29	00-439072-00003	Support - Slide Index (Incls. Item 28).....	1
30	00-437072-00004	Support - Slide Index (ML-136292) (HS6N-1GC) (Incls. Item 28).....	1
31	00-915313	Boot - Index Slide.....	1
32	SC-131-74	Set Screw 5/16-24 x 1/2 Hex Hdls., Flat Pt.....	4
33	WS-005-32	Washer (SST).....	2
34	SC-062-72	Cap Screw 5/16-24 x 3/4 Hex Hd.....	2
35	00-915301	Boot - Gauge Plate.....	1
36	SC-117-68	Set Screw 5/16-24 x 3/8 Hex Hdls., Cone Pt.....	3
37	00-915289-00002	Support - Gauge Plate.....	1
38	00-121676-00001	Self-Tapping Screw #2 x 1/4 Truss Hd.....	8
39	00-915293	Bracket - Gauge Plate Boot.....	1
40	00-915282-00001	Plate - Gauge.....	1
41	WS-030-58	Washer (SST).....	2
42	PG-011-19	Pin - Grooved 5/32 x 1/2 (SST).....	1
43	SL-005-18	Spring - Loading.....	1
44	00-915620	Plate - Support.....	2
45	00-915305	Shaft - Index Knob.....	1
46	SD-038-14	Self-Tapping Screw 1/4-20 x 7/8 Hex Washer Hd., Type RL (SST).....	2
47	RP-003-12	Roll Pin 1/8 Dia. x 1-1/4 Lg.....	1
48	00-438886	Rod - Index Slide.....	1

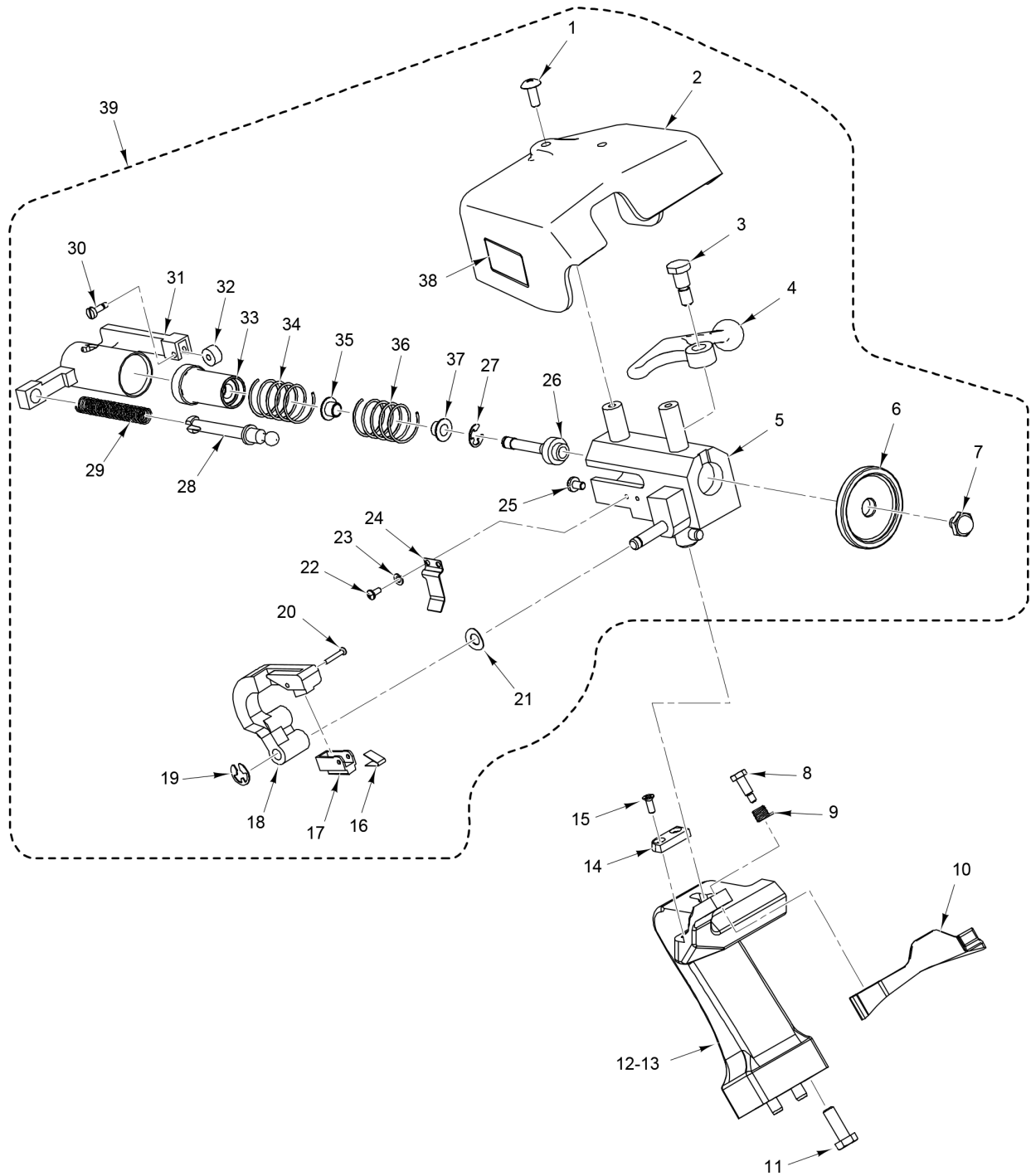


PL-60364

PRODUCT TRAY AND MEAT GRIP ASSEMBLY

PRODUCT TRAY AND MEAT GRIP ASSEMBLY

ILLUS. PL-60364	PART NO.	NAME OF PART	AMT.
1	00-915395-00002	Meat Grip Assy. (HS6 Series) (Incls. Items 3, 4, & 6 thru 11).....	1
2	00-915395-00001	Meat Grip Assy. (HS8 Series) (Incls. Items 3 & 5 thru 11).....	1
3	00-915257	Grip - Meat.....	1
4	00-915375-00002	Meat Grip Arm Assy. (HS6 Series) (Incls. Items 6 thru 9).....	1
5	00-915375-00001	Meat Grip Arm Assy. (HS8 Series) (Incls. Items 6 thru 9).....	1
6	00-914446	Pad - Stop.....	2
7	00-914452	Bearing - Grip Arm.....	1
8	00-914452	Bearing - Grip Arm.....	1
9	00-478254	Bushing.....	2
10	WS-021-21	Washer.....	1
11	00-914937	Handle - Meat Grip.....	1
12	00-915393	Product Tray Assy. (All Except HS6-PHS) (Incls. Items 14 thru 18, 20, & 22).....	1
13	00-915393-00003	Product Tray Assy. (HS6-PHS Only) (Incls. Items 14 thru 17, 19, 21, & 23).....	1
14	00-915268	Guard - Thumb.....	1
15	00-915275	Washer (Rubber).....	3
16	00-915259	Bracket - Support.....	1
17	00-915230-00002	Block - Support.....	1
18	SC-131-61	Mach. Screw 1/4-20 x 3/4 Phil. Flat Hd. (SST).....	3
19	00-915654	Bolt 1/4-20 Special (HS6-PHS Only).....	4
20	SC-022-10	Mach. Screw 8-32 x 5/8 Slotted Flat Hd. (SST).....	4
21	00-915655	Bolt 8-32 Special (HS6-PHS Only).....	4
22	SC-022-10	Mach. Screw 8-32 x 5/8 Slotted Flat Hd. (SST).....	4
23	00-915655	Bolt 8-32 Special (HS6-PHS Only).....	4
24	00-915286	Slide Rod Assy.....	1
25	WS-031-53	Washer.....	2
26	00-915407	Shoulder Screw 1/2 Dia. 3/8-16.....	2
27	00-478021	Washer - Belleville.....	2
28	00-875450	Knob - Support Tray Assy.....	1
29	00-915400-00001	Tray Support Assy. (HS6 Series) (Incls. Items 31 & 32).....	1
30	00-915400-00002	Tray Support Assy. (HS8 Series) (Incls. Items 31 & 32).....	1
31	RP-006-51	Pin - Roll (0.375).....	1
32	00-439045	Stud - Drive.....	2
33	RR-012-17	Retaining Ring.....	1
34	WS-003-49	Washer (SST).....	2
35	NS-025-04	Crown Nut 1/4-20 (SST).....	2
36	00-915296	Handle - Tray.....	1
37	SC-125-93	Mach. Screw 1/4-20 x 1 Phil. Flat Hd. (SST).....	2
38	SC-131-92	Screw - Special (HS6-PHS Only).....	2
39	WS-029-40	Washer (SST) (HS6-PHS Only).....	2

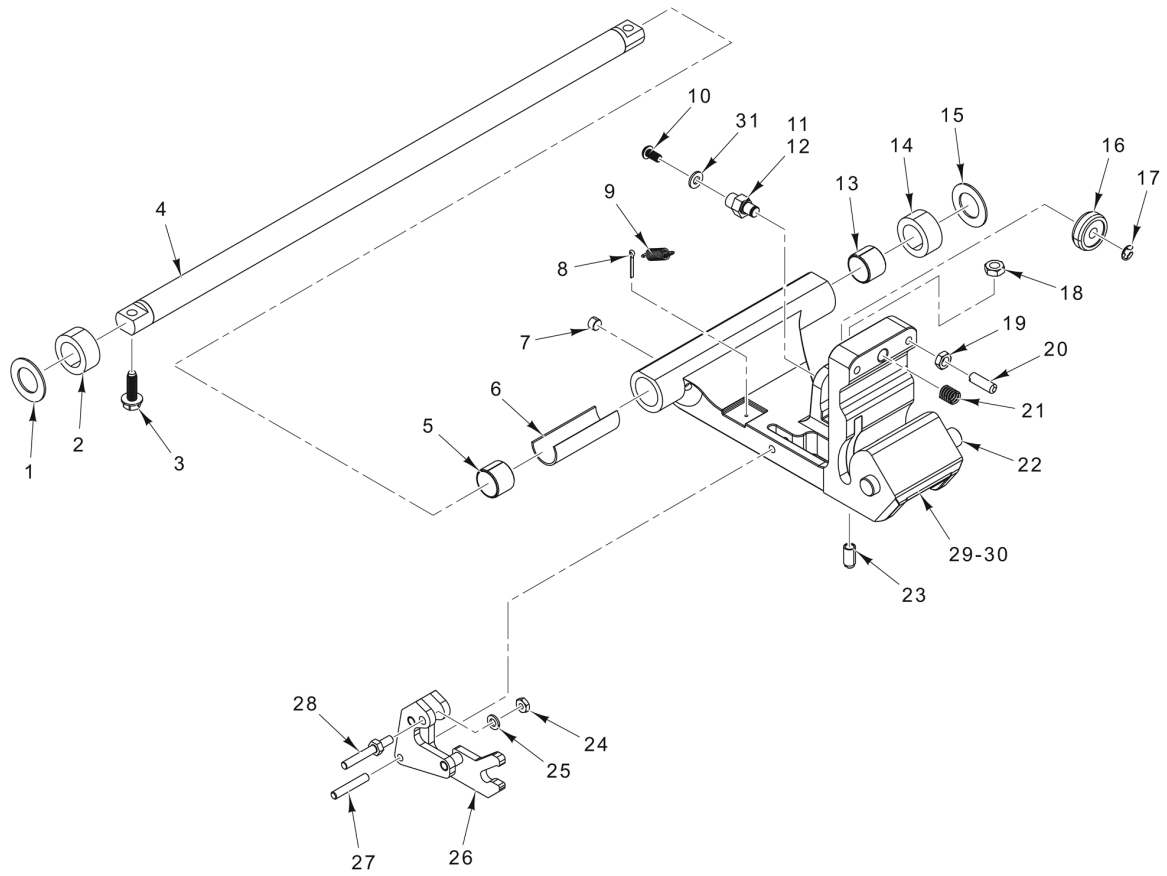


PL-60076

KNIFE SHARPENER ASSEMBLY

KNIFE SHARPENER ASSEMBLY

ILLUS.	PART NO.	NAME OF PART	AMT.
PL-60076			
1	SC-129-63	Mach. Screw 10-24 x 1/2 Phil. Truss Hd. (SST).....	2
2	00-914682	Cover & Plate Assy. (Incls. Item 38).....	1
3	00-479953	Shoulder Screw 1/4-20 x 3/8.....	1
4	00-875359	Handle - Sharpener Cam.....	1
5	00-914565	Housing & Stud Assy.....	1
6	00-439691	Stone Service Kit.....	1
7	00-914327	Screw - Pushing Cover.....	1
8	00-914410	Pin - Knife Protector.....	1
9	00-914424	Spring - Knife Protector.....	1
10	00-914504-00003	Protector - Knife Edge.....	1
11	SC-118-19	Cap Screw 1/4-20 x 3/4 Hex Hd.....	2
12	00-915290-00002	Mount - Sharpener Assy. (HS6 Series) (Incls. Item 11).....	1
13	00-915290	Mount - Sharpener Assy. (HS8 Series) (Incls. Item 11).....	1
14	00-914687	Spacer - Sharpener Mount.....	1
15	SC-022-79	Mach. Screw 6-32 x 3/8 Phil. Flat Hd. (SST).....	2
16	00-914414	Spring - Truing Stone.....	1
17	00-914413	Stone - Truing.....	1
18	00-914495-00002	Arm - Truing.....	1
19	RR-006-22	Retaining Ring 1/4 In. (SST).....	1
20	SC-129-65	Mach. Screw 2-56 x 5/8 Slotted Pan Hd.....	1
21	00-479527	Washer - Spring Crescent Shaped.....	1
22	SC-126-48	Mach. Screw 4-40 x 1/4 Phil. Pan Hd. (SST).....	2
23	WL-003-03	Lockwasher #4 Helical.....	2
24	00-914544	Spring - Sharpener Housing.....	1
25	SC-122-87	Mach. Screw 8-32 x 1/4 Slotted Pan Hd. (SST).....	1
26	00-873848	Shaft - Grinding Wheel.....	1
27	RR-006-22	Retaining Ring 1/4 In. (SST).....	1
28	00-914415	Rod - Truing Pusher.....	1
29	00-914416	Spring - Truing Arm.....	1
30	00-914329	Roller - Shoulder Screw.....	1
31	00-914323	Actuator.....	1
32	00-914328	Roller - Lock Release.....	1
33	00-873851	Plunger - Bearing Assy. (Incls. Items 35 & 37).....	1
34	00-438437	Spring - Return.....	1
35	00-873834	Bearing - Sharpener.....	1
36	00-875531	Spring - Main.....	1
37	00-873834	Bearing - Sharpener.....	1
38	00-914681	Label - Instruction.....	1
39	00-914571	Sharpener Assy. (Incls. Items 1 thru 7 & 16 thru 38).....	1



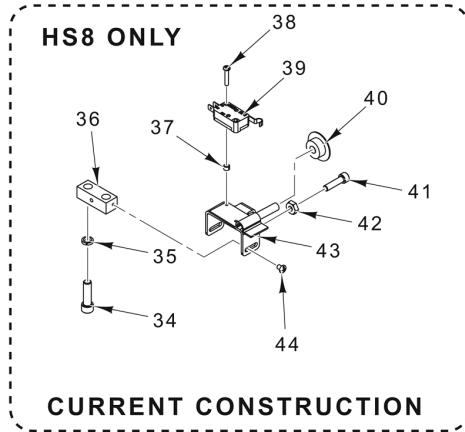
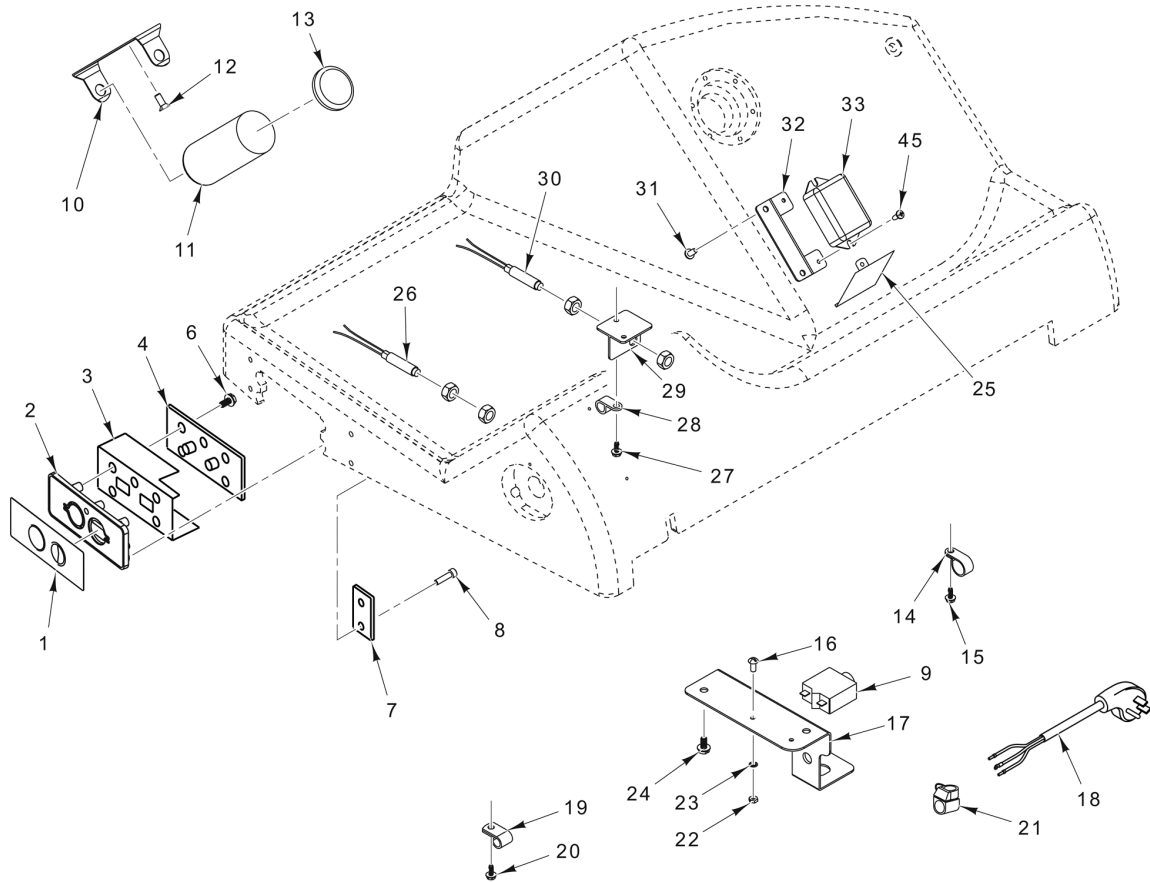
PL-60077

TRANSPORT CARRIAGE ASSEMBLY

TRANSPORT CARRIAGE ASSEMBLY

ILLUS. PL-60077	PART NO.	NAME OF PART	AMT.
1	00-435708	Washer - Backup (SST).....	1
2	00-915255	Bumper - Slide Rod.....	1
3	SD-033-08	Self-Tapping Screw 5/16-18 x 1 Hex Washer Hd., Type TT.....	2
4	00-438907	Slide - Rod.....	1
5	00-875658	Bearing - Transport (Metal).....	1
6	00-439017	Wick - Slide Rod Lubrication.....	1
7	00-915319	Magnet (HS8 Series).....	1
8	PC-005-11	Cotter Pin 3/32 (HS8 Series).....	1
9	00-915385	Spring - Extension Interlock (HS8 Series).....	1
10	SC-131-70	Mach. Screw 1/4-28 x 1/2 Hex Button Hd. (SST).....	1
11	00-438911	Screw - Adjusting (Eccentric) (Old Style) (Before S/N 631023747).....	1
12	00-915606	Stud - Roller Bearing (New Style) (S/N 631023747 and After).....	1
13	00-875658	Bearing - Transport.....	1
14	00-915255	Bumper - Slide Rod.....	1
15	00-435708	Washer - Backup (SST).....	1
16	00-478420	Roller - Transport.....	1
17	RR-006-23	Retaining Ring.....	1
18	NS-017-20	Jam Nut 3/8-24 Hex.....	1
19	NS-018-06	Jam Nut 5/16-18 Hex (SST).....	2
20	SC-128-35	Set Screw 5/16-18 x 1 Slotted Hdls., Flat Pt.....	2
21	00-519826	Insert - Screw.....	1
22	00-915260	Rod - Tray Arm Mounting.....	1
23	00-477747	Set Screw - Special.....	1
24	NS-018-01	Jam Nut 1/4-20 Hex (SST) (HS8 Series).....	1
25	WL-006-17	Lockwasher 1/4 Helical (SST) (HS8 Series).....	1
26	00-915312	Tray Interlock Assy. (HS8 Series).....	1
27	00-558091	Pin (HS8 Series).....	1
28	00-915249	Pin - Cam Lock (HS8 Series).....	1
*29	00-915592-00001	Carriage - Transport (HS6 Series) (Incls. Items 5, 6, 13, 21, & 22).....	1
*30	00-915592-00003	Carriage - Transport (HS8 Series) (Incls. Items 5, 6, 7, 13, 21, & 22).....	1
31	WS-003-49	Washer (SST).....	1

* (If replacing Carriage Transport that has an eccentric stud, Item 11, order the new roller bearing stud, Item 12, as well. All current Transport Carriages are machined for the roller bearing stud.)

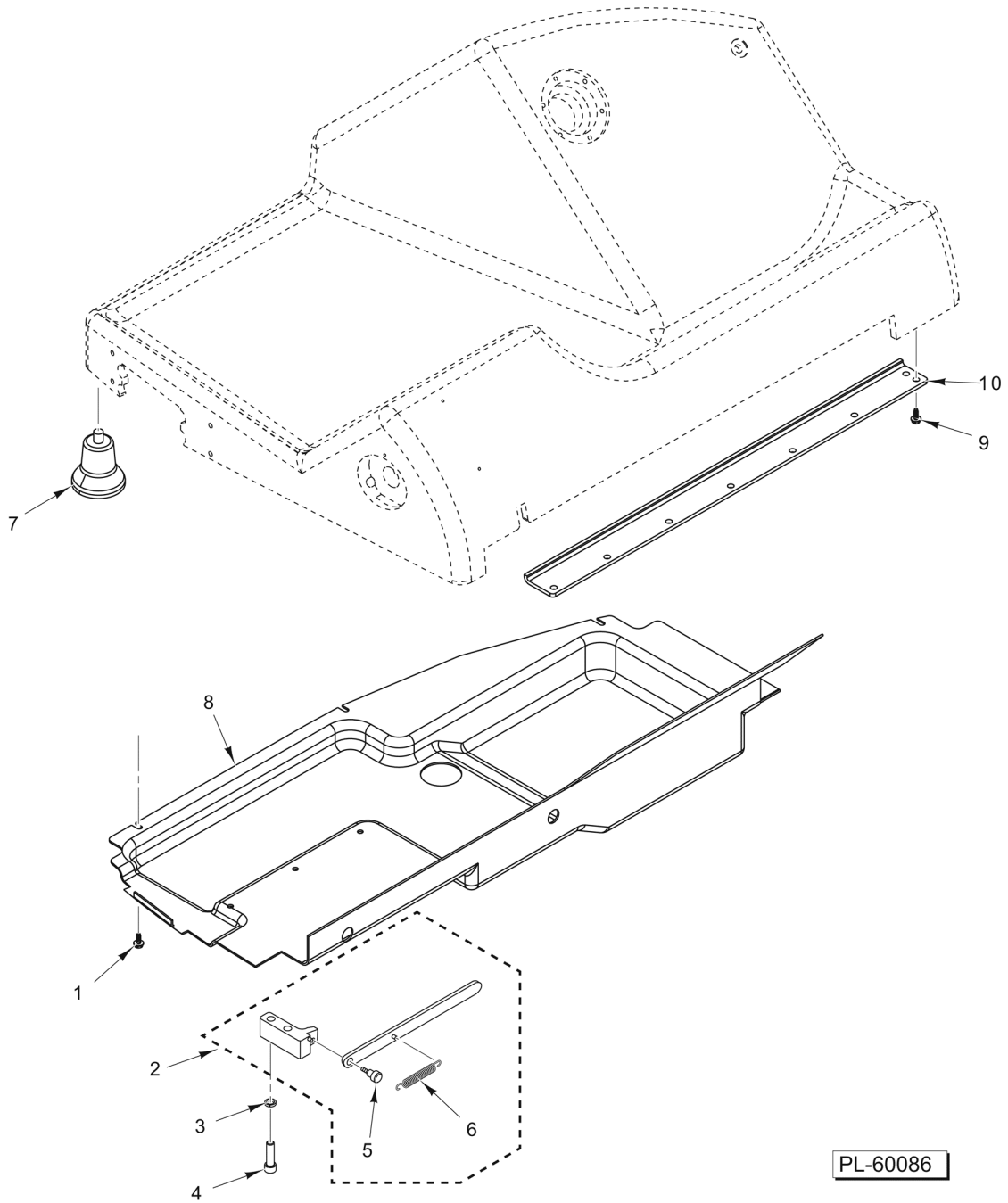


PL-60083

CONTROLS AND ELECTRICAL COMPONENTS

CONTROLS AND ELECTRICAL COMPONENTS

ILLUS. PL-60083	PART NO.	NAME OF PART	AMT.
1	00-915251	Overlay.....	1
2	00-915330	Bezel Assy. (Incls. Item 1).....	1
3	00-915337	Mylar - PCB.....	1
4	00-915267	Board - Control.....	1
5	00-915642	Kit - Actuator & Bracket (Incls. Items 40 & 43).....	1
6	SD-037-75	Self-Tapping Screw 6-19 x 1/4 Phil. Pan Hd.....	4
7	00-915419	Washer - Bezel Mounting.....	2
8	SC-128-96	Mach. Screw 8-32 x 3/8 Phil. Truss Hd. (SST).....	4
9	00-088196-016-2	Circuit Breaker.....	1
10	00-066621-00001	Bracket - Capacitor.....	1
11	00-070487-00026	Capacitor - Motor Start.....	1
12	SD-024-16	Self-Tapping Screw 10-24 x 1/2 Phil. Flat Hd., Type TT.....	1
13	00-070486-00001	End Cap - Capacitor.....	1
14	00-438132-00002	Clamp (1/2).....	1
15	SD-038-16	Self-Tapping Screw 6-32 x 3/8 Hex Washer Hd., Type RL.....	1
16	SC-027-29	Mach. Screw 8-32 x 3/8 Slotted Rd. Hd. (Brass).....	1
17	00-915359	Bracket - Strain Relief.....	1
18	00-117542-00121	Cord & Plug Assy. (120 V.).....	1
19	00-078752-00003	Clamp - Cable.....	AR
20	SD-038-16	Self-Tapping Screw 6-32 x 3/8 Hex Washer Hd., Type RL.....	AR
21	FE-021-21	Strain Relief.....	1
22	NS-010-11	Nut 8-32 Hex (Brass).....	1
23	WL-010-01	Lockwasher #8 External Shakeproof.....	1
24	SD-039-68	Self-Tapping Screw 10-24 x 3/8 Hex Washer Hd., Type RL.....	2
25	00-915581	Shield - Finger.....	1
26	00-087711-00357	Switch - Reed (Home Switch) (Incls. Nuts) (HS8 Series).....	1
27	SD-038-16	Self-Tapping Screw 6-32 x 3/8 Hex Washer Hd., Type RL (HS8 Series).....	2
28	00-078752-00006	Clamp (HS8 Series).....	1
29	00-915318	Bracket - Reed Switch (HS8 Series).....	1
30	00-087711-00357	Switch - Reed (Cut-Thru, Count Switch) (Incls. Nuts) (HS8 Series).....	1
31	SD-015-40	Self-Tapping Screw 8-32 x 3/8 Phil. Pan Hd., Type TT.....	1
32	00-915288	Bracket - Start Switch.....	1
33	00-271612-00002	Switch - Electronic Start (50/60 Hz.).....	1
34	SC-089-03	Cap Screw 1/4-20 x 7/8 Hex Socket Hd.....	2
35	WL-003-35	Lockwasher 1/4 Helical.....	2
36	00-915317	Block - Interlock Mount (HS8 Series).....	1
37	00-478427	Spacer - Nylon (HS8 Series).....	2
38	SC-131-68	Mach. Screw 4-40 x 5/8 Slotted Fil. Hd. (SST) (HS8 Series).....	2
39	00-087711-00358	Switch - Miniature (Gauge Plate Switch) (HS8 Series).....	1
40	00-915608	Actuator (Close to Stop) (HS8 Series).....	1
41	SC-123-73	Mach. Screw 10-32 x 3/4 Hex Hd. (SST) (HS8 Series).....	1
42	NS-049-32	Nut 10-32 Hex (HS8 Series).....	1
43	00-915621	Bracket Assy. (HS8 Series).....	1
44	SC-131-67	Mach. Screw 6-32 x 3/16 Slotted Pan Hd. (SST) (HS8 Series).....	2
45	SD-015-38	Self-Tapping Screw 6-32 x 3/8 Phil. Pan Hd., Type TT.....	2

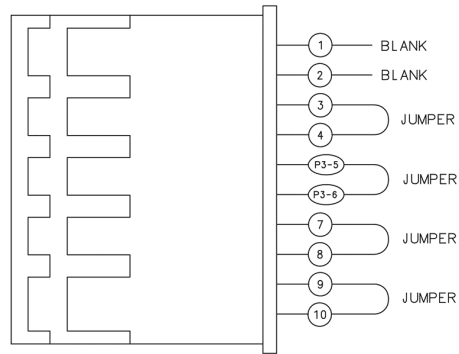


PL-60086

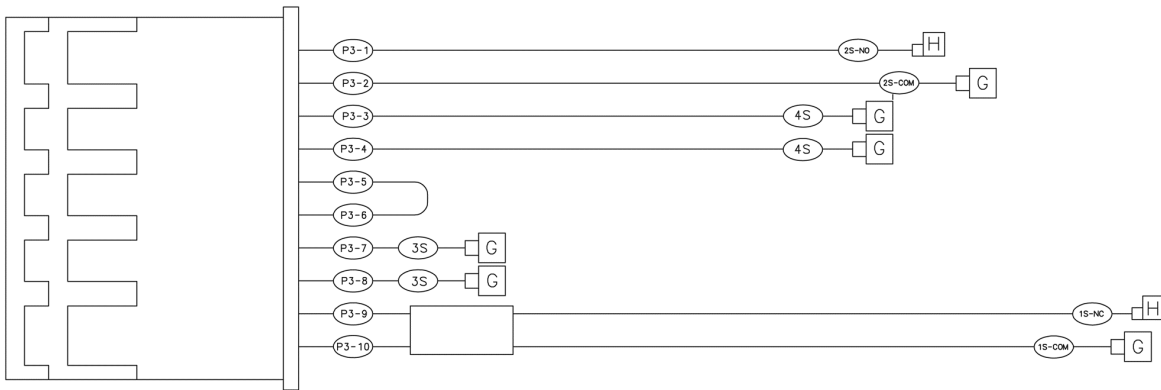
BASE AND KICK STAND

BASE AND KICK STAND

ILLUS.	PART NO.	NAME OF PART	AMT.
PL-60086			
1	SD-038-16	Self-Tapping Screw 6-32 x 3/8 Hex Washer Hd., Type RL.....	5
2	00-915340	Kick Stand Assy. (Incls. Items 5 & 6).....	1
3	WL-003-35	Lockwasher 1/4 Helical.....	2
4	SC-089-05	Cap Screw 1/4-20 x 1-1/2 Hex Socket Hd.....	2
5	01-403175-00525	Bolt - Shoulder.....	1
6	01-403275-00234	Spring - Extension.....	1
7	00-875371	Foot - Tall.....	4
8	00-915344	Cover - Bottom.....	1
9	SD-038-22	Self-Tapping Screw 10-24 x 1/2 Hex Washer Hd., Type RL.....	8
10	00-915252	Bar - Transport Roller.....	1



00-915276 Harness - Wire (J3) (HS6)



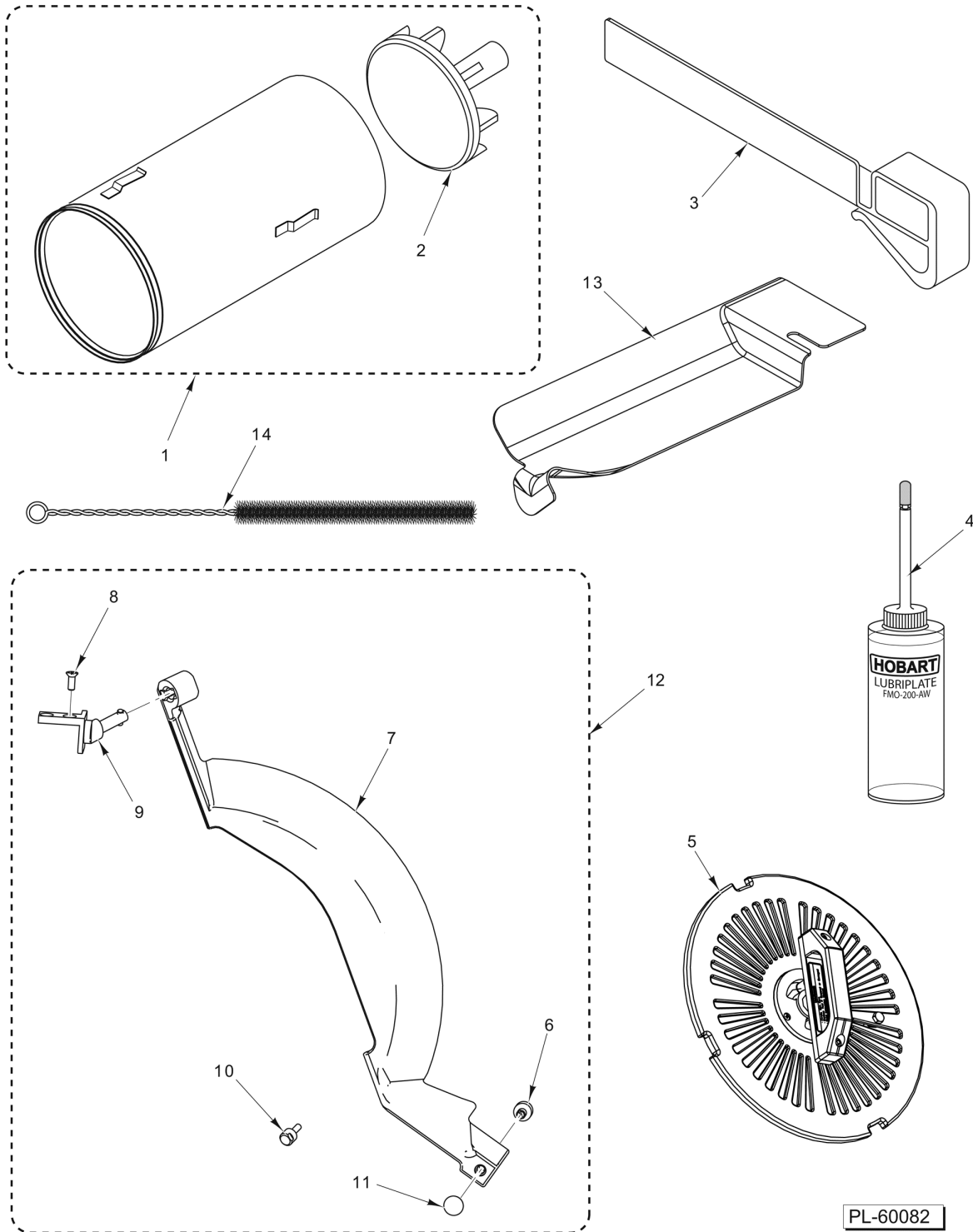
00-915264 Harness - Wire (J3) (HS8)

PL-60084

WIRE HARNESES

WIRE HARNESSSES

ILLUS.	PART NO.	NAME OF PART	AMT.
PL-60084			
1	00-915276	Harness - Wire (J3) (HS6).....	1
2	00-915264	Harness - Wire (J3) (HS8).....	1



ACCESSORIES

ACCESSORIES

ILLUS.	PART NO.	NAME OF PART	AMT.
PL-60082			
1	00-915593	Food Chute Assy. (Packaged) (Incls. Item 2).....	1
2	00-075945	Pusher Assy. - Plate.....	1
3	00-915266	Fence - Product.....	1
4	00-915207	Bottle - Oil (4 Oz.).....	1
5	00-914603	Knife Removal Tool.....	1
6	00-914587	Foot - Adjustable Deflector.....	1
7	00-914585-00002	Deflector - Product.....	1
8	SC-022-79	Mach. Screw 6-32 x 3/8 Phil. Flat Hd. (SST).....	2
9	00-914649	Mount - Product Deflector.....	1
10	00-914596	Stud - Product Deflector.....	1
11	00-914597	Cap - Product Deflector.....	1
12	00-914702	Product Deflector Kit (Incls. Items 6 thru 11).....	1
13	00-915513	Deflector - Debris.....	1
14	00-915643	Brush - Tube.....	1

