



CATALOG OF REPLACEMENT PARTS



HAND WRAP STATIONS & ACCESSORIES

MODELS

HWS4C

ML-44225

PRIOR MLS COVERED IN THIS CATALOG

HWS1

ML-26395

HWS2

ML-26396

HWS3

ML-44026

HWS4

ML-44049

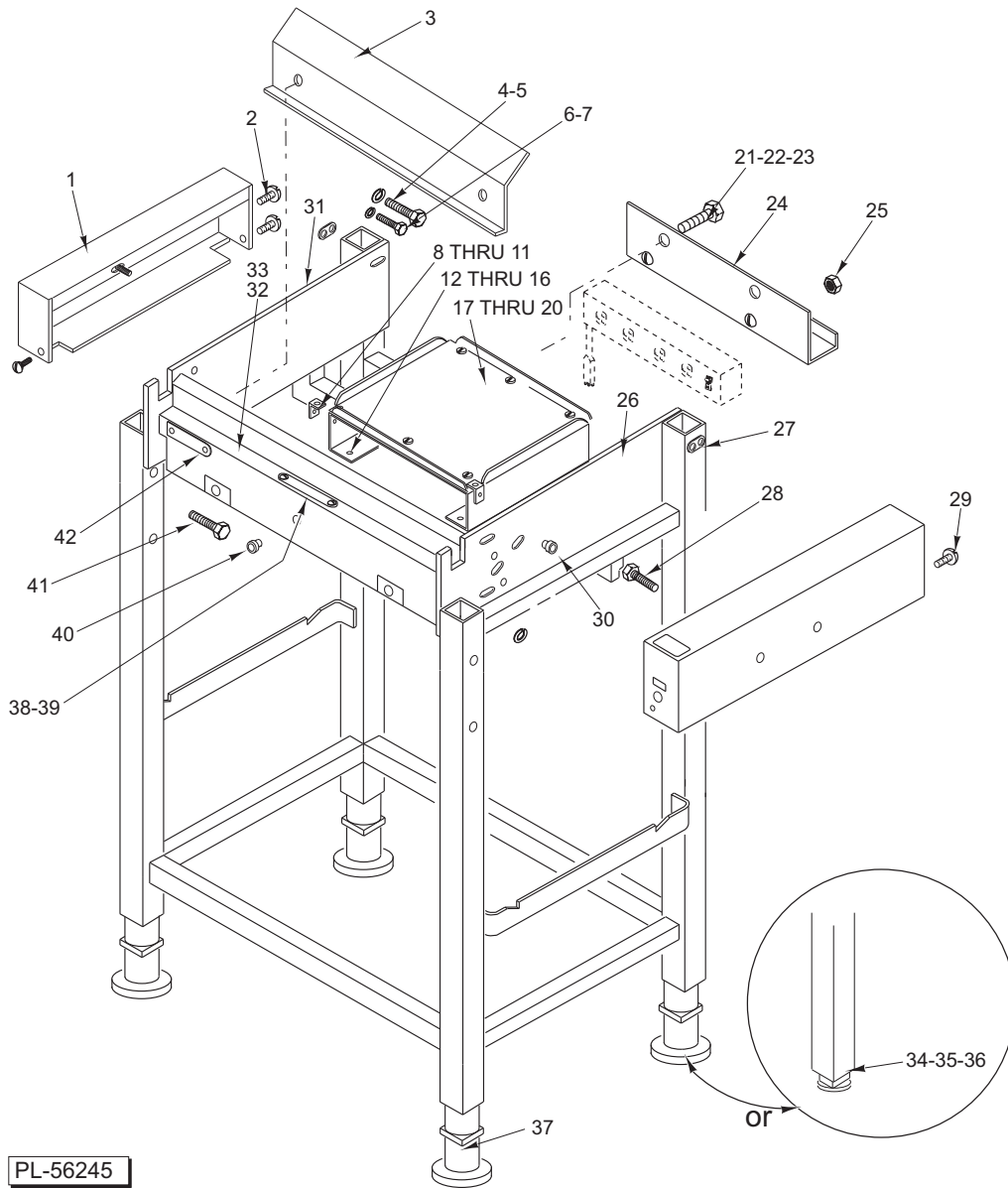
HWS4

ML-44113

THIS CATALOG OBSOLETEES AND REPLACES
F15412A, F16035, F16419, & F18009

TABLE OF CONTENTS

5	STAND (HWS1 ML-26395, HWS2 ML-26396, HWS3 ML-44026, HWS4 ML-44049, & HWS4 ML-44113)
7	STAND (HWS4C ML-44225)
9	HOT PLATE (6 X 14) & SQUARE CUT-OFF ROD (HWS1 ML-26395 & HWS2 ML-26396)
11	HOT PLATE (6 X 14) & SQUARE CUT-OFF ROD (HWS3 ML-44026 & HWS4 ML-44049)
13	HOT PLATE (6 X 15) (HWS4 ML-44113 & HWS4C ML-44225)
15	HWS3 & HWS4 CONTROL BOX WITH ON/OFF SWITCH (SQUARE CUT-OFF ROD) (HWS3 ML-44026 & HWS4 ML-44049)
17	HWS4 CONTROL BOX WITH ON/OFF SWITCH (ROUND CUT-OFF ROD) (ML-44113)
19	HWS4 & HWS4C CONTROL BOX WITH TIMER (ROUND CUT-OFF ROD) (ML-44113 & ML-44225)
21	ROLLERS & FILM CARRIER (HWS1 ML-26395, HWS2 ML-26396, HWS3 ML-44026, HWS4 ML-44049, & HWS4 ML-44113)
23	ROLLER AND FILM SHAFTS (HWS4C ML-44225)
25	SIDE SHELF (WITHOUT PRINTER SUPPORT)
27	SIDE SHELF & PRINTER SUPPORT
29	PACKAGE REST KIT (HWS4 ML-44113 & HWS4C ML-44225)
31	OVERLAY DISPENSER UNIT
33	ULTIMA MOUNTING KIT
35	QUANTUM/HLX MOUNTING KIT
37	ACCESS MOUNTING KIT
39	18VP/18VPS POST ASSEMBLY
41	SP PRINTER MOUNT
42	LIBRARY SUPPORT – POST ASSEMBLY
43	PLU LIBRARY
44	MISCELLANEOUS

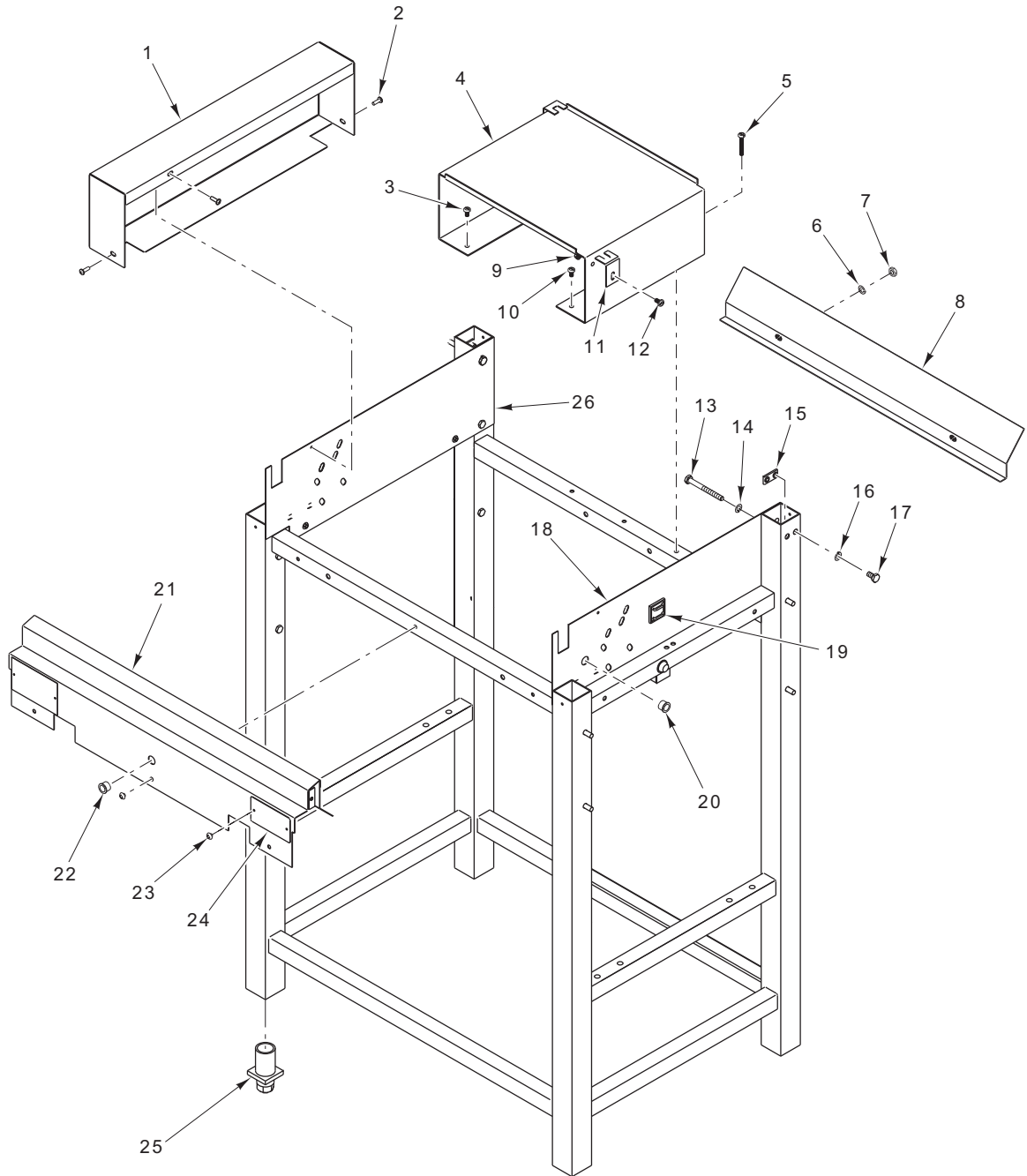


STAND
(HWS1 ML-26395, HWS2 ML-26396, HWS3 ML-44026, HWS4 ML-44049, & HWS4 ML-44113)

STAND

(HWS1 ML-26395, HWS2 ML-26396, HWS3 ML-44026, HWS4 ML-44049, & HWS4 ML-44113)

ILLUS. PL-56245	PART NO.	NAME OF PART	AMT.
1	00-334106	Cover – LH Side (HWS3 & HWS4).....	1
2	SD-019-31	Self-Tapping Screw 8-18 x 1/2 Phil. Pan Hd., Type B	4
3	00-334692	Guard – Element Wire (HWS3 & HWS4).....	1
4	WL-006-17	Lockwasher 1/4 Helical.....	4
5	SC-118-57	Cap Screw 1/4-20 x 2 1/2 Hex Hd.....	4
6	SC-041-50	Cap Screw 1/4-20 x 1/2 Hex Hd. (SST)	2
7	WL-006-17	Lockwasher 1/4 Helical.....	2
8	00-183648	Clamp	2
9	SC-008-10	Mach. Screw 10-24 x 1/2 Rd. Hd. Slotted	2
10	WL-008-13	Lockwasher #10 Internal Shakeproof	2
11	NS-009-22	Nut 10-24 Hex.....	2
12	00-048831	Bracket – Scale Mounting.....	1
13	SC-117-03	Mach. Screw 10-24 x 1 1/4 Rd. Hd. Slotted.....	4
14	SC-008-10	Mach. Screw 10-24 x 1/2 Rd. Hd. Slotted	4
15	WL-008-13	Lockwasher #10 Internal Shakeproof	4
16	NS-009-22	Nut 10-24 Hex.....	4
17	00-334690	Retainer – Scale (11.125 x 9.125)	1
18	WL-008-13	Lockwasher #10 Internal Shakeproof	4
19	NS-009-22	Nut 10-24 Hex.....	6
20	SC-008-10	Mach. Screw 10-24 x 1/2 Rd. Hd. Slotted	6
21	SC-041-07	Cap Screw 1/4-20 x 1 1/2 Hex Hd.....	2
22	WL-006-17	Lockwasher 1/4 Light.....	2
23	NS-015-01	Nut 1/4-20 Hex	2
24	00-333977	Bracket – Outlet Strip.....	1
25	NS-044-07	Mach. Nut 8-32 Hex KEPS	2
26	00-334104	Plate – Side (RH).....	1
27	00-334095	Nut – Weld	2
28	SC-118-57	Cap Screw 1/4-20 x 2 1/2 Hex Hd.....	4
29	SD-019-31	Self-Tapping Screw 8-18 x 1/2 Phil. Pan Hd., Type B	3
30	FE-016-31	Bushing – Snap (HWS3 & HWS4).....	1
31	00-334284	Plate – Side (LH) (HWS3 & HWS4).....	1
32	00-334288	Cover – Control Housing (HWS2).....	1
33	00-333234	Cover – Control Housing (HWS1).....	1
34	00-333149	Insert – Leveler (1 In. Leg) (HWS1 & HWS2)	4
35	NS-017-16	Nut – Jam 3/8-16 Hex Hd. (HWS1 & HWS2)	4
36	00-333148	Adjustable Foot (1 In. Leg) (HWS1 & HWS2).....	4
37	00-334100	Foot – Adjustable (HWS3 & HWS4)	4
38	00-438131-00007	Plate – Caution (HWS3 & HWS4).....	1
39	SD-005-39	Self-Tapping Screw 4 x 1/4 Rd. Hd., Type U	2
40	00-333700	Bushing – Snap (HWS1 & HWS2).....	1
41	SC-062-57	Cap Screw 1/4-20 x 2 Hex Hd.....	4
42	SD-005-39	Self-Tapping Screw Rd. Hd., Type U	2

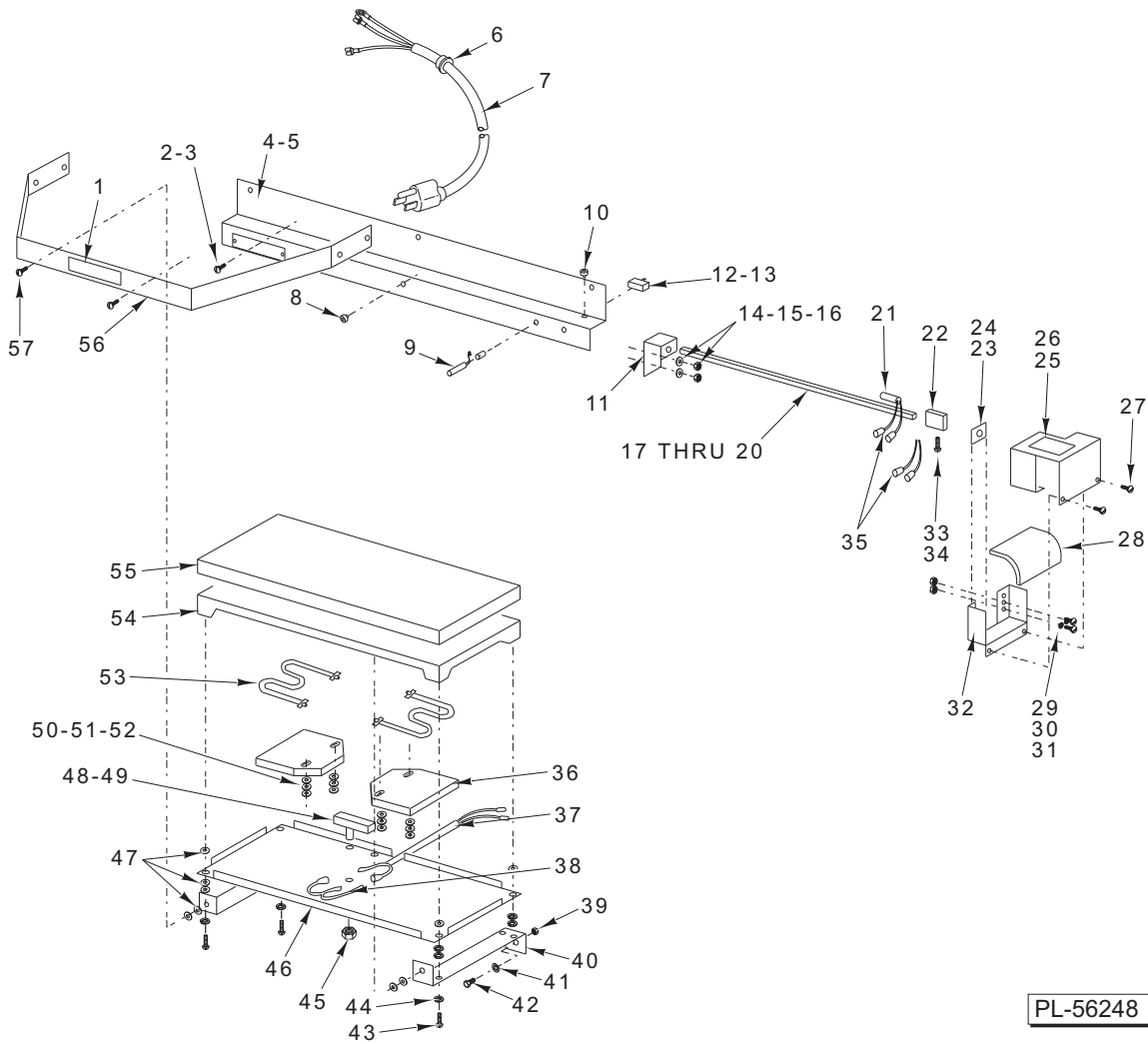


PL-59591

STAND (HWS4C ML-44225)

STAND (HWS4C ML-44225)

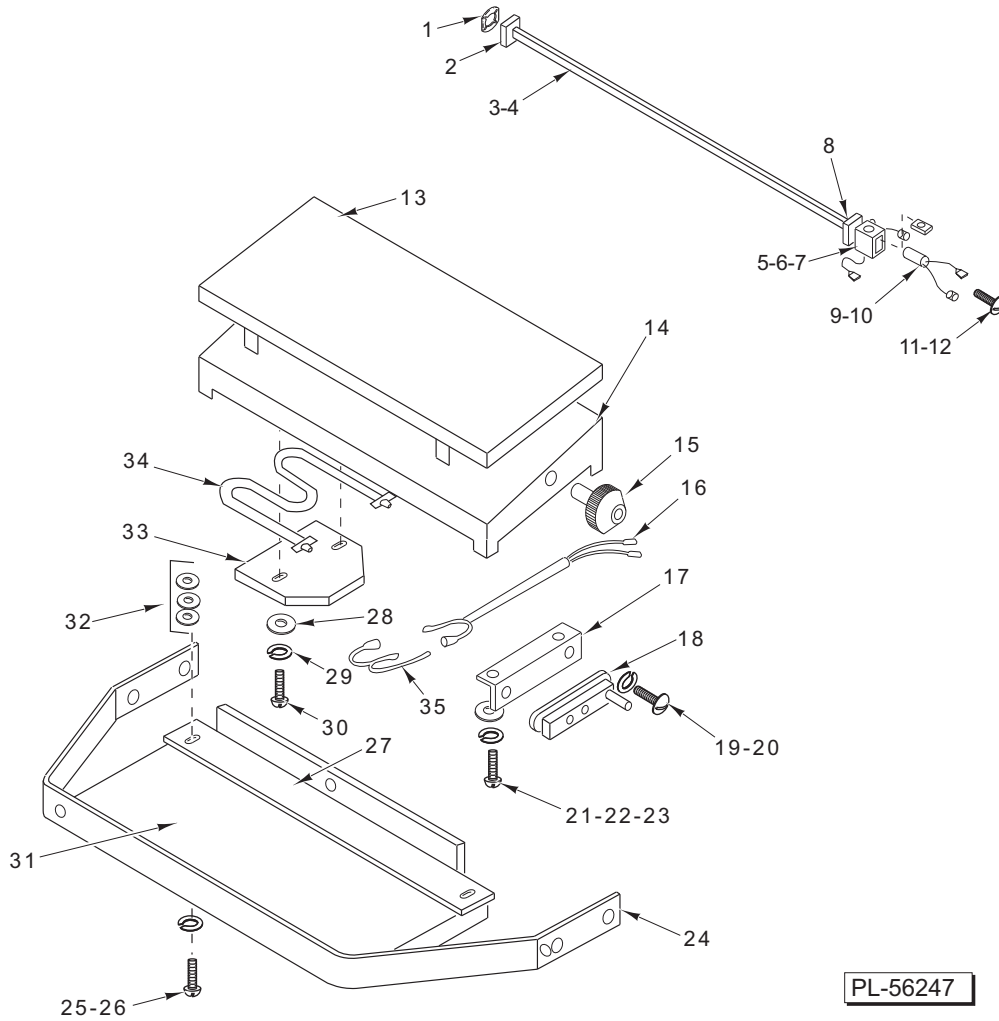
ILLUS. PL-59591	PART NO.	NAME OF PART	AMT.
1	00-334106	Cover – LH Side	1
2	SC-093-04	Mach. Screw 8-32 x 1/2 Phil. Pan Hd. (SST)	3
3	SC-093-21	Mach. Screw 10-32 x 3/8 Slotted Pan Hd. (SST)	1
4	00-446469-00011	Bracket – Scale Mounting	1
5	SC-109-79	Mach. Screw 10-32 x 1/4 Slotted Pan Hd. (SST)	2
6	WL-006-17	Lockwasher 1/4 Helical (SST)	2
7	NS-015-01	Nut 1/4-20 Hex (SST)	2
8	00-334692	Guard – Element Wire	1
9	NS-032-05	Lock Nut 10-32	2
10	SC-093-21	Mach. Screw 10-32 x 3/8 Slotted Pan Hd. (SST)	1
11	00-183648	Clamp	2
12	SC-093-21	Mach. Screw 10-32 x 3/8 Slotted Pan Hd. (SST)	2
13	SC-118-57	Cap Screw 1/4-20 x 2 1/2 Hex Hd.	2
14	WL-006-17	Lockwasher 1/4 Helical (SST)	2
15	00-334095	Nut – Weld	2
16	WL-006-17	Lockwasher 1/4 Helical (SST)	2
17	SC-041-50	Cap Screw 1/4-20 x 1/2 Hex Hd. (SST)	2
18	00-334104	Plate – Side (RH)	1
19	00-446469-00004	Platform – Mounting (Nylon)	1
20	FE-016-31	Bushing – Snap	1
21	00-334288	Cover Assy. – Control Housing	1
22	FE-016-31	Bushing – Snap	1
23	SD-033-56	Self-Tapping Screw 3/16 Lg. Rd. Hd. (SST)	2
24	00-438131-00007	Plate – Caution	1
25	00-446469-00005	Foot – Insert	4
26	00-334284	Plate – Side (LH)	1



**HOT PLATE (6 X 14) & SQUARE CUT-OFF ROD
(HWS1 ML-26395 & HWS2 ML-26396)**

**HOT PLATE (6 X 14) & SQUARE CUT-OFF ROD
(HWS1 ML-26395 & HWS2 ML-26396)**

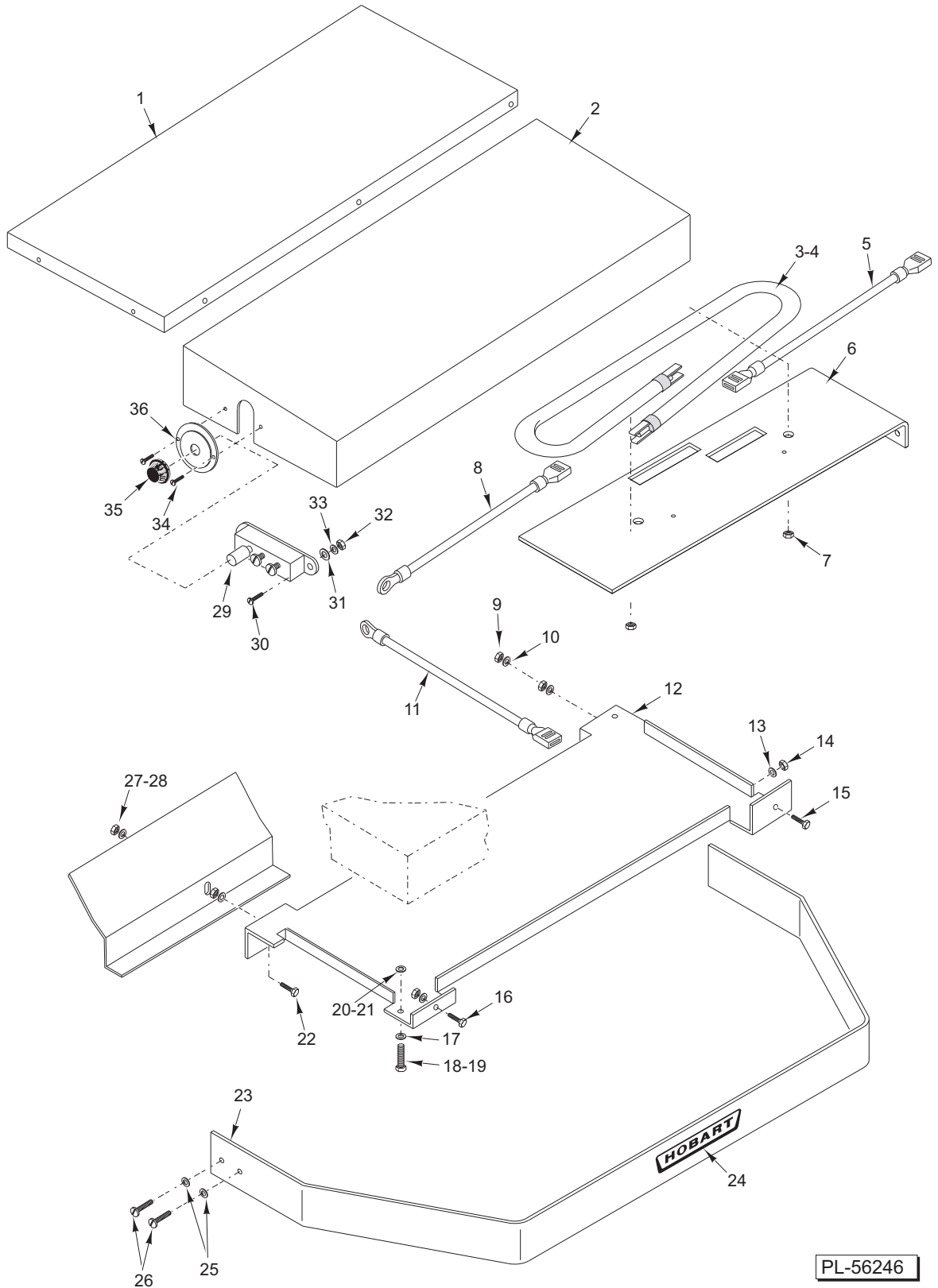
ILLUS. PL-56248	PART NO.	NAME OF PART	AMT.
1	00-252217-00001	Logo – Hobart.....	1
2	SC-008-09	Mach. Screw 10-24 x 3/8 Rd. Hd.....	4
3	WL-008-13	Lockwasher #10 Internal Shakeproof.....	4
4	00-333234	Cover – Control Housing (HWS1).....	1
5	00-334288	Cover – Control Housing (HWS2).....	1
6	FE-007-21	Bushing – Strain Relief.....	1
7	00-333237	Cord – Power.....	1
8	00-333700	Bushing – Snap.....	1
9	00-332950	Indicator – Light (Round).....	1
10	00-333700	Bushing – Snap.....	1
11	00-333238	Bracket – Element Support.....	1
12	00-332951	Switch – On/Off.....	1
13	00-333701	Wire – Switch (Power).....	2
14	NS-009-22	Nut 10-24 Hex.....	2
15	WL-008-13	Lockwasher #10 Internal Shakeproof.....	2
16	SC-008-10	Mach. Screw 10-24 x 1/2 Rd. Hd. Slotted.....	2
17	00-334662	Element – Cartridge (Square) (HWS2) (120 V.) (24 ³ / ₄).....	1
18	00-332953	Element – Cartridge (Square) (HWS1) (120 V.) (23 ¹ / ₄).....	2
19	00-184816	Element – Cartridge (Square) (HWS1) (220 V.) (23 ¹ / ₂).....	1
20	00-184433	Element – Cartridge (Square) (HWS2) (220 V.) (24 ³ / ₄).....	1
21	00-332959	Element – Thermostat.....	1
22	00-332831	Adapter – Thermostat.....	1
23	00-332955	Adapter – Element (R.S. Only) (HWS1).....	1
24	00-333674	Adapter – Element (R.S. Only) (HWS2).....	1
25	00-333672	Cover – Support Housing (HWS2).....	1
26	00-333010	Cover – Support Housing (HWS1).....	1
27	SC-008-10	Mach. Screw 10-24 x 1/2 Rd. Hd. Slotted.....	2
28	00-332946	Insulator – Cover.....	1
29	SC-008-10	Mach. Screw 10-24 x 1/2 Rd. Hd. Slotted.....	2
30	WL-008-13	Lockwasher #10 Internal Shakeproof.....	2
31	NS-009-22	Nut 10-24 Hex.....	2
32	00-333673	Housing – Element Support.....	1
33	SC-088-75	Set Screw 6-32 x 5/16 Hdls., Cup Pt.....	1
34	00-333689	Speed Nut #6.....	1
35	FE-006-17	Wire Nut (16-22 Ga.).....	4
36	00-333675	Plate – Element.....	2
37	00-334854	Wire Assy. (Terminal Strip to Thermostat & Element).....	AR
38	00-334857	Wire Assy. (Thermostat to Element).....	AR
39	NS-013-02	Nut 1/4-20 Hex.....	4
40	00-333685	Bracket – Seal Plate Mtg.....	2
41	WL-003-39	Lockwasher 1/4 Light.....	4
42	SC-037-84	Cap Screw 1/4-20 x 1 1/2 Hex Hd.....	4
43	SC-060-03	Mach. Screw 10-24 x 3/4 Rd. Hd.....	4
44	WL-008-13	Lockwasher #10 Internal Shakeproof.....	4
45	00-084706	Knob – Thermostat.....	1
46	00-333239	Backplate – Sealing.....	1
47	00-332949	Insulator.....	12
48	00-334659	Thermostat (Short Stem).....	1
49	SC-032-08	Self-Tapping Screw 6-32 x 1/4 Slotted Pan Hd.....	2
50	SD-012-02	Self-Tapping Screw 6-32 x 3/8 Pan Hd., Type T.....	4
51	WL-008-01	Lockwasher #6 Internal Shakeproof.....	4
52	WS-028-03	Washer.....	4
53	00-332939	Element – Heating (120 V.).....	2
54	00-332836	Plate – Hot.....	1
55	00-334588	Cover – Hot Plate (Teflon) 6 x 14.....	1
56	00-333392	Guard – Sealing Plate.....	1
57	SC-008-10	Mach. Screw 10-24 x 1/2 Rd. Hd. Slotted.....	6



**HOT PLATE (6 X 14) & SQUARE CUT-OFF ROD
(HWS3 ML-44026 & HWS4 ML-44049)**

**HOT PLATE (6 X 14) & SQUARE CUT-OFF ROD
(HWS3 ML-44026 & HWS4 ML-44049)**

ILLUS. PL-56247	PART NO.	NAME OF PART	AMT.
1	00-334702	Retainer – Push-On	1
2	00-334691	Adapter – Element (L.S. Only)	1
3	00-334662	Element – Cartridge (Square) (120 V.) (24 ^{3/4})	1
4	00-184433	Element – Cartridge (Square) (220 V.) (24 ^{3/4})	1
5	SC-088-75	Set Screw 6-32 x ⁵ / ₁₆ Hdls., Cup Pt.	1
6	00-332831	Adapter – Thermostat	1
7	00-333689	Speed Nut #6	1
8	00-332955	Adapter – Element (R.S. Only)	1
9	00-332959	Element – Thermostat	1
10	FE-006-17	Wire Nut (16-22 Ga.)	1
11	SC-008-10	Mach. Screw 10-24 x ¹ / ₂ Rd. Hd. Slotted	2
12	WL-008-13	Lockwasher #10 Internal Shakeproof	2
13	00-334587	Cover – Hot Plate (Teflon) 6 x 14	1
14	00-334091	Hot Plate (Slanted)	1
15	00-084706	Knob – Thermostat	1
16	00-334854	Wire Assy. (Thermostat Strip to Thermostat & Element)	AR
17	00-334090	Bracket – Thermostat	1
18	00-334660	Thermostat (Long Stem)	1
19	WL-008-01	Lockwasher #6 Internal Shakeproof	2
20	SC-009-79	Mach. Screw 6-32 x ⁵ / ₁₆ Rd. Hd.	2
21	SD-012-02	Self-Tapping Screw 6-32 x ³ / ₈ Pan Hd., Type T	2
22	WL-008-01	Lockwasher #6 Internal Shakeproof	2
23	WS-028-03	Washer	2
24	00-334305	Guard – Hot Plate	1
25	WL-004-40	Lockwasher #10 Medium	4
26	SC-060-03	Mach. Screw 10-24 x ³ / ₄ Rd. Hd.	4
27	00-334693	Guard – Hot Plate (Rear)	1
28	WS-028-03	Washer	4
29	WL-008-01	Lockwasher #6 Internal Shakeproof	4
30	SD-012-02	Self-Tapping Screw 6-32 x ³ / ₈ Pan Hd., Type T	4
31	00-334094	Bracket – Hot Plate Support	1
32	00-332949	Insulator	12
33	00-333675	Plate – Element	1
34	00-332939	Element – Heating (120 V.)	2
35	00-334857	Wire Assy. (Thermostat to Element)	AR

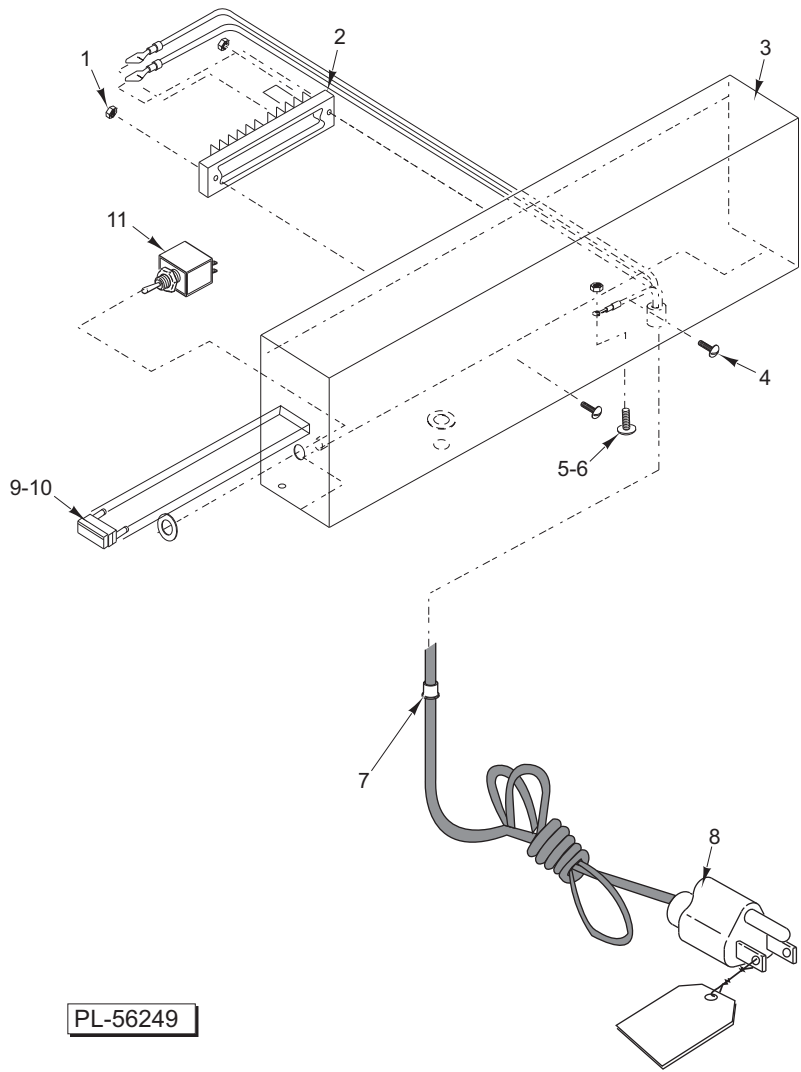


PL-56246

HOT PLATE (6 X 15)
(HWS4 ML-44113 & HWS4C ML-44225)

**HOT PLATE (6 X 15)
(HWS4 ML-44113 & HWS4C ML-44225)**

ILLUS. PL-56246	PART NO.	NAME OF PART	AMT.
1	00-130585-00001	Cover – Teflon 6 x 15.....	1
2	00-446731-00001	Housing – Hot Plate (Sheet Metal Formed).....	1
3	00-334294	Element – Hot Plate (115 V.).....	1
4	00-334293	Element – Hot Plate (220 V.).....	1
5	00-440925	Wire Assy. (Element to Terminal Strip) (34 In.).....	1
6	00-444952	Mounting – Element.....	1
7	NS-015-01	Nut 1/4-20 Hex (SST).....	2
8	00-440923	Wire Assy. (Thermostat to Element) (6 1/2 In.).....	1
9	NS-015-01	Nut 1/4-20 Hex (SST).....	AR
10	WL-006-17	Lockwasher 1/4 Medium.....	AR
11	00-440924	Wire Assy. (Thermostat to Terminal Strip) (36 In.).....	1
12	00-046494	Sealer – Support Plate.....	1
13	WL-006-01	Lockwasher #8 (SST).....	AR
14	NS-011-12	Nut 8-32 Hex.....	AR
15	SC-093-04	Mach. Screw 8-32 x 1/2 Phil. Pan Hd. (SST).....	AR
16	SC-093-04	Mach. Screw 8-32 x 1/2 Phil. Pan Hd. (SST).....	AR
17	WL-006-17	Lockwasher 1/4 Medium (HWS4 With Aluminum Hot Plate Casting).....	AR
18	SC-041-05	Cap Screw 1/4-20 x 5/8 Hex Hd. (HWS4 With Aluminum Hot Plate Casting).....	AR
19	SC-123-89	Mach. Screw 10-32 x 3/4 Slotted Washer Hd. (SST) (Used With Sheet Metal Formed Hot Plate).....	4
20	00-334416	Insulator – Washer (HWS4 With Aluminum Hot Plate Casting).....	12
21	00-442348	Insulator – Washer (Used With Sheet Metal Formed Hot Plate).....	10
22	SC-062-57	Cap Screw 1/4-20 x 2 Hex Hd.....	AR
23	00-334305	Guard Assy. (Incls. Item 24).....	1
24	00-252217-00001	Logo (Without Holes).....	1
25	WL-004-40	Lockwasher #10 Medium.....	2
26	SC-093-21	Mach. Screw 10-32 x 3/8 Slotted Pan Hd. (SST).....	2
27	NS-015-01	Nut 1/4-20 Hex (SST).....	AR
28	WL-006-17	Lockwasher 1/4 Medium.....	AR
29	00-334659	Thermostat (Short Stem).....	1
30	SC-021-11	Mach. Screw 6-32 x 3/4 Slotted Rd. Hd. (SST).....	2
31	WS-028-03	Washer.....	2
32	NS-011-07	Nut 6-32 Hex (SST).....	2
33	WL-006-42	Lockwasher #6 Helical (SST).....	AR
34	SD-033-56	Self-Tapping Screw 3/16 Rd. Hd., Type U (HWS4 With Aluminum Hot Plate Casting).....	2
35	00-444950	Knob – Thermostat.....	1
36	00-046496	Plate – Dial (HWS4 With Aluminum Hot Plate Casting).....	1
	00-444974	Sealer Assy. (Incls. Items 1, 2, 3, 5 thru 8, 11, 29 thru 33, & 35).....	1
	00-046498	Sealer Support Kit (Incls. Items 9, 10, 12 thru 18, 20, 22, 27, & 28).....	1

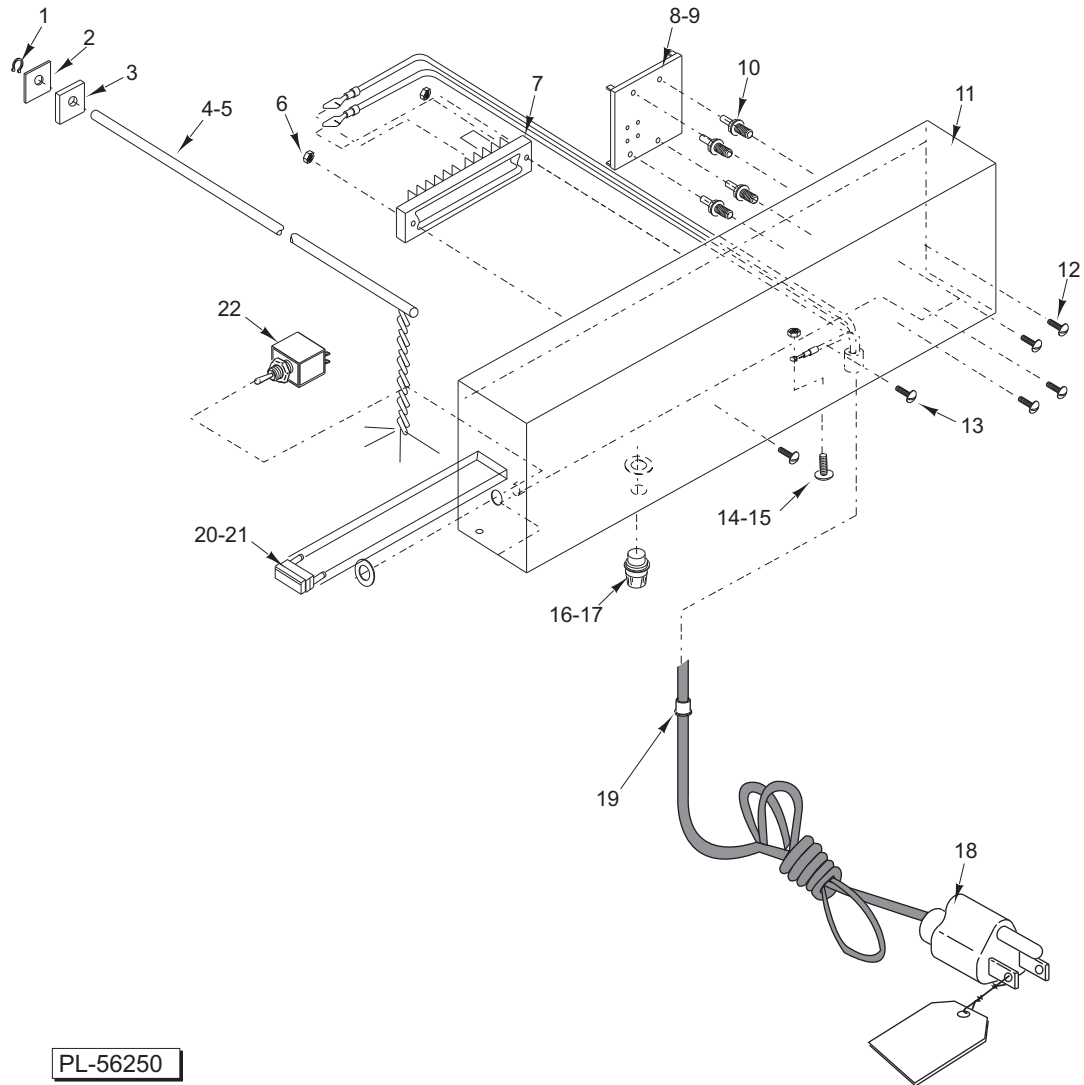


PL-56249

**HWS3 & HWS4 CONTROL BOX WITH ON/OFF SWITCH
(SQUARE CUT-OFF ROD)
(HWS3 ML-44026 & HWS4 ML-44049)**

**HWS3 & HWS4 CONTROL BOX WITH ON/OFF SWITCH
(SQUARE CUT-OFF ROD)
(HWS3 ML-44026 & HWS4 ML-44049)**

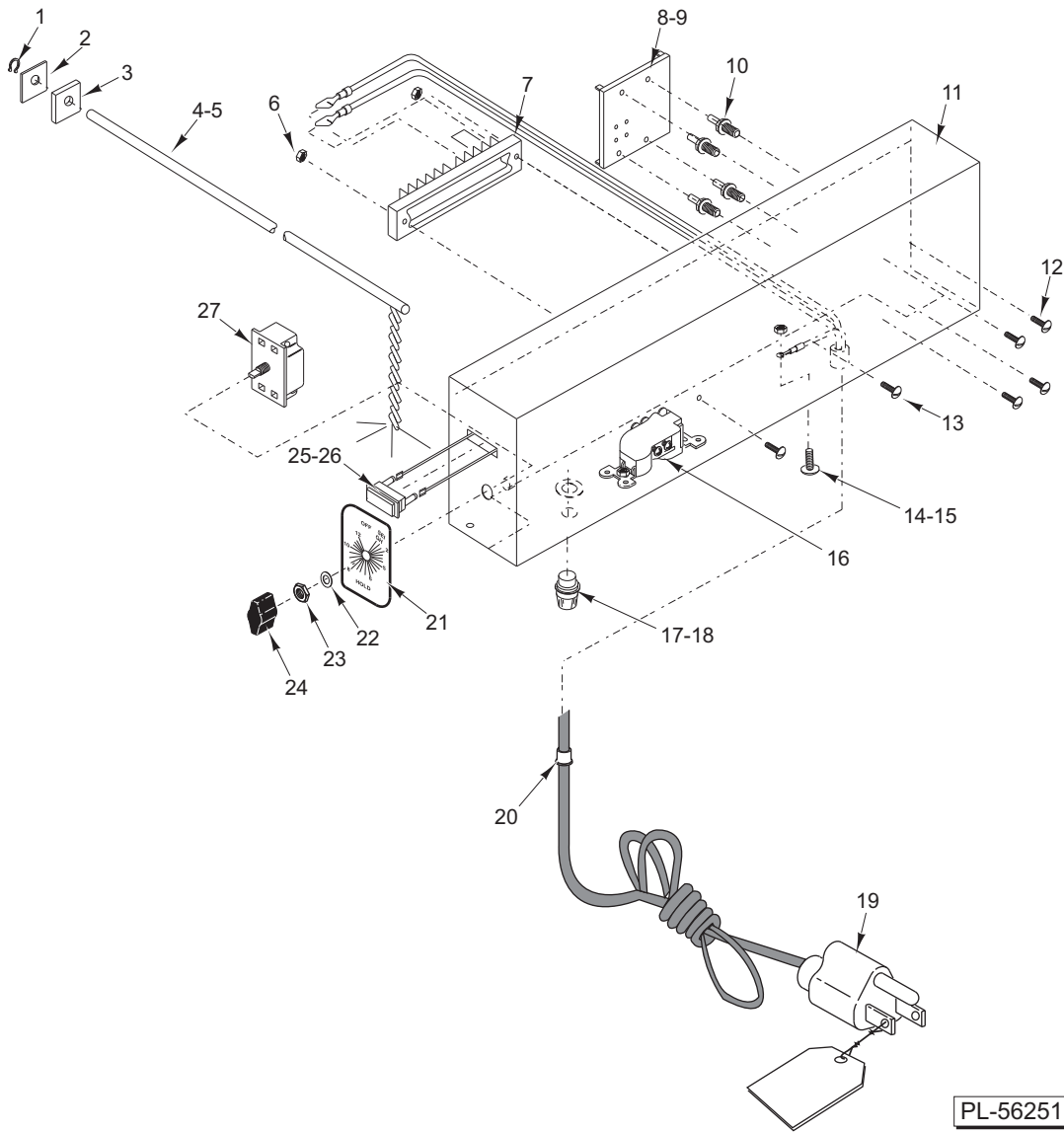
ILLUS. PL-56249	PART NO.	NAME OF PART	AMT.
1	NS-048-19	Mach. Nut 10-32 Hex KEPS (SST).....	2
2	00-333235	Strip – Terminal.....	1
3	00-334105	Cover – RH Side.....	1
4	SC-066-20	Mach. Screw 10-32 x 1/2 Phil. Truss Hd.	2
5	SC-009-67	Mach. Screw 6-32 x 5/8 Rd. Hd.....	1
6	NS-009-07	Mach. Nut 6-32 Hex (SST)	1
7	FE-025-53	Bushing – Strain Relief	1
8	00-442346	Cord – Power Assy. (110 V.)	1
9	00-133320-00005	Light – Pilot Indicator (Rectangle).....	1
10	00-332950	Light – Indicator (Round)	1
11	00-332951	Switch – On/Off.....	1



**HWS4 CONTROL BOX WITH ON/OFF SWITCH
(ROUND CUT-OFF ROD) (ML-44113)**

**HWS4 CONTROL BOX WITH ON/OFF SWITCH
(ROUND CUT-OFF ROD) (ML-44113)**

ILLUS.	PART NO.	NAME OF PART	AMT.
PL-56250			
1	RR-009-10	Retaining Ring	1
2	00-046601	Retainer – Rod (Aluminum)	1
3	00-046601	Retainer – Rod (Aluminum)	1
4	00-134429	Rod – Cut-Off (120 V.)	1
5	00-134431	Rod – Cut-Off (220 V.)	1
6	NS-048-19	Mach. Nut 10-32 Hex KEPS (SST).....	2
7	00-333235	Strip – Terminal	1
8	00-132654-00006	Board – Circuit (115 V.).....	1
9	00-132654-00013	Board – Circuit (220 V.).....	1
10	00-334626	Standoff.....	4
11	00-334105	Cover – RH Side.....	1
12	SD-027-08	Self-Tapping Screw 6-32 x 3/8 Slotted Pan Hd., Type T	4
13	SC-110-97	Mach. Screw 10-32 x 1/2 Slotted Truss Hd.	2
14	SC-110-97	Mach. Screw 10-32 x 1/2 Slotted Truss Hd.	1
15	NS-048-19	Mach. Nut 10-32 Hex KEPS (SST).....	1
16	FE-022-73	Fuseholder.....	1
17	FE-022-29	Fuse (1 Amp.) (MDL) (250 V.)	1
18	00-442346	Cord – Power Assy. (110 V.).....	1
19	FE-025-53	Bushing – Snap 3/8	1
20	00-133320-00005	Light – Indicator	1
21	00-130445-00050	Light – Indicator (220 V.).....	1
22	00-332951	Switch – On/Off.....	1

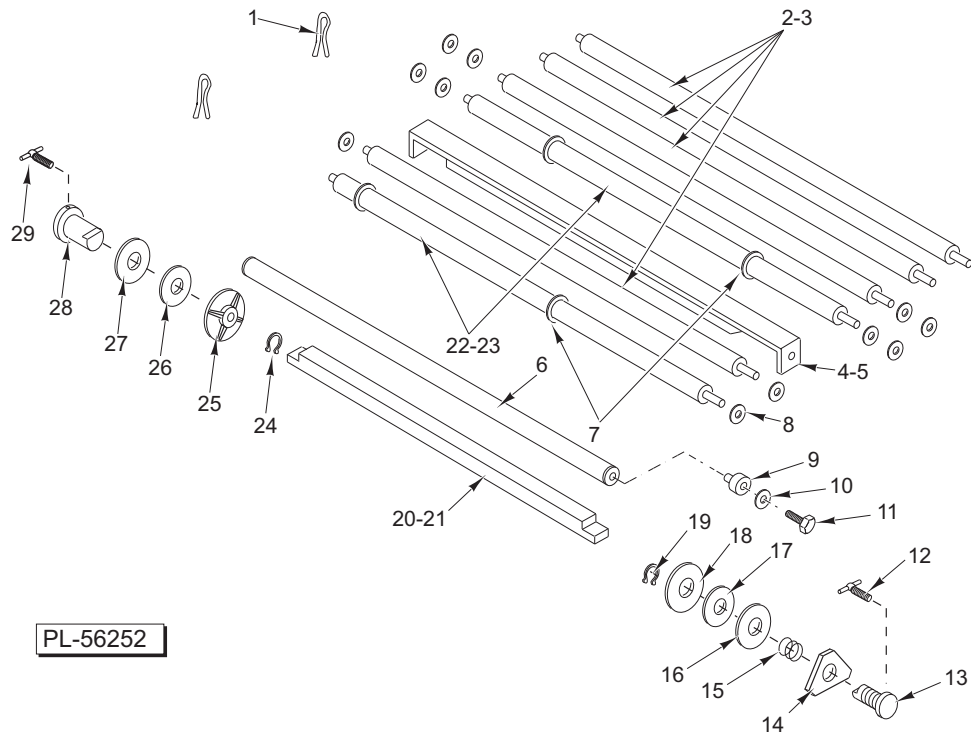


PL-56251

**HWS4 & HWS4C CONTROL BOX WITH TIMER
(ROUND CUT-OFF ROD) (ML-44113 & ML-44225)**

**HWS4 & HWS4C CONTROL BOX WITH TIMER
(ROUND CUT-OFF ROD) (ML-44113 & ML-44225)**

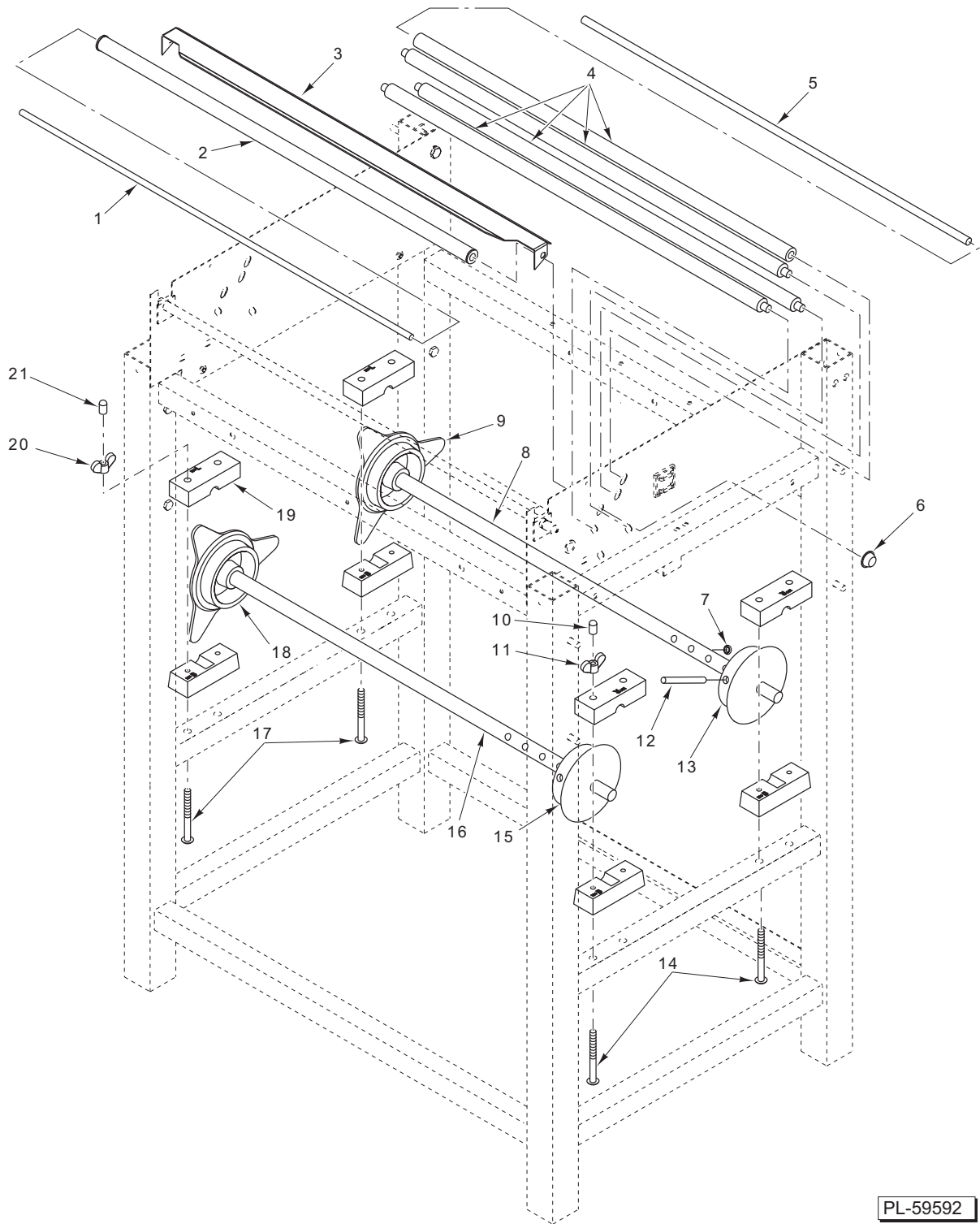
ILLUS. PL-56251	PART NO.	NAME OF PART	AMT.
1	RR-009-10	Retaining Ring	1
2	00-046601	Retainer – Rod (Aluminum)	1
3	00-046601	Retainer – Rod (Aluminum)	1
4	00-134429	Rod – Cut-Off (120 V.)	1
5	00-134431	Rod – Cut-Off (220 V.)	1
6	NS-048-09	Mach. Nut 10-32 Hex KEPS	2
7	00-333235	Strip – Terminal	1
8	00-132654-00006	Board – Circuit (115 V.)	1
9	00-132654-00013	Board – Circuit (220 V.)	1
10	00-334626	Standoff	4
11	00-441782	Cover – RH Side	1
12	SD-027-08	Self-Tapping Screw 6-32 x 3/8 Slotted Pan Hd., Type T	4
13	SC-110-97	Mach. Screw 10-32 x 1/2 Slotted Truss Hd.	2
14	SC-110-97	Mach. Screw 10-32 x 1/2 Slotted Truss Hd.	1
15	NS-048-19	Mach. Nut 10-32 Hex KEPS (SST)	1
16	00-441790	Receptacle – Duplex	1
17	FE-022-73	Fuseholder	1
18	FE-022-29	Fuse (1 Amp.) (MDL) (250 V.)	1
19	00-442346	Cord – Power Assy. (110 V.)	1
20	FE-025-53	Bushing – Strain Relief	1
21	00-446729-00003	Decal – Timer	1
22	WL-019-04	Lockwasher 3/8 Internal	1
23	00-442007-00001	Nut 3/8-32 Thin	1
24	00-441788	Knob – Control Timer	1
25	00-133320-00005	Light – Indicator (120 V.)	1
26	00-130445-00050	Light – Indicator (220 V.)	1
27	00-441791	Timer – 12 Hr. (Incls. Items 22, 23, & 24)	1



ROLLERS & FILM CARRIER
(HWS1 ML-26395, HWS2 ML-26396, HWS3 ML-44026, HWS4 ML-44049, & HWS4 ML-44113)

ROLLERS & FILM CARRIER
(HWS1 ML-26395, HWS2 ML-26396, HWS3 ML-44026, HWS4 ML-44049, & HWS4 ML-44113)

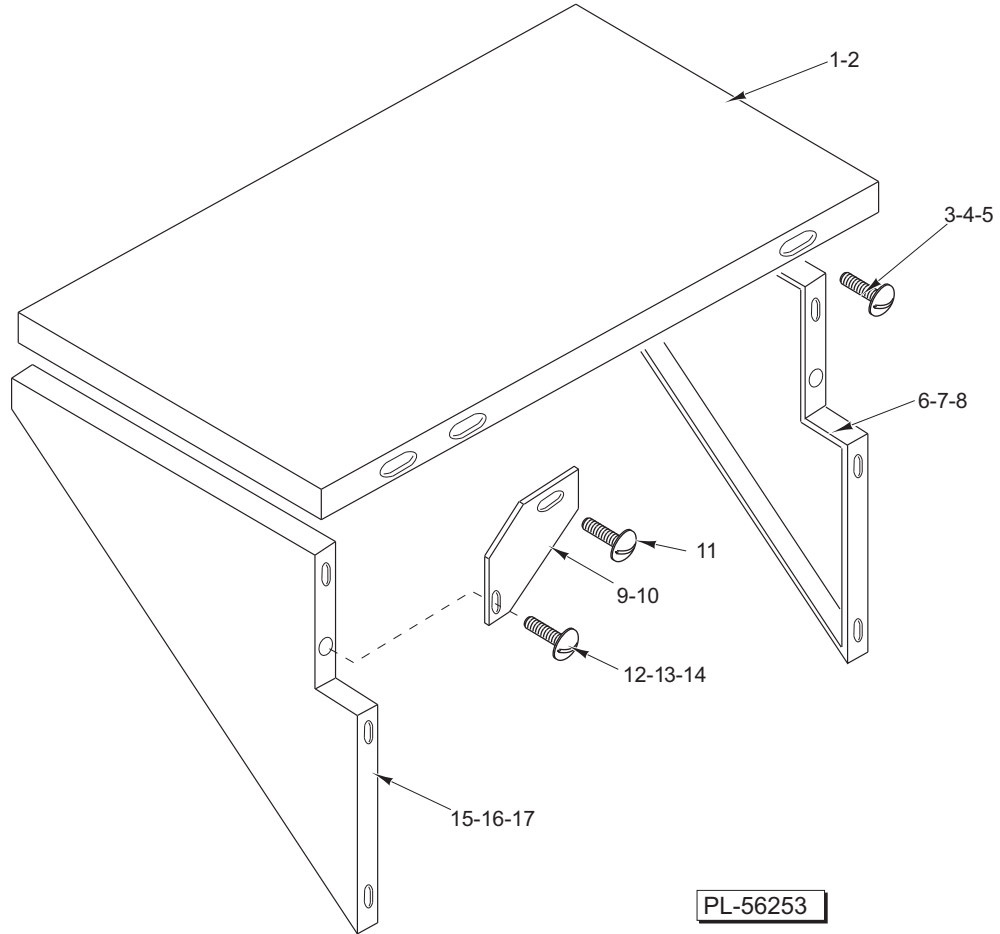
ILLUS. PL-56252	PART NO.	NAME OF PART	AMT.
1	PC-005-12	Pin – Cotter ³ / ₃₂ Dia. x 3 In. Lg.	4
2	00-442387	Roller – Spring (HWS3 & HWS4) (22 ⁵ / ₈ In.).....	4
3	00-332943	Roller – Spring (HWS1 & HWS2) (24 ⁵ / ₈ In.).....	4
4	00-332835	Retainer – Film (HWS1 & HWS2).....	1
5	00-442388	Retainer – Film (HWS3 & HWS4).....	1
6	00-332942	Roller – Film Guide (HWS1 & HWS2) (22 ¹ / ₂ In.).....	1
7	00-442098	O-Ring	4
8	00-442097	Spacer – Nylon (Black).....	10
9	00-332945	Bushing (HWS1 & HWS2).....	2
10	WL-003-38	Lockwasher ¹ / ₄ (HWS1 & HWS2).....	2
11	SC-036-13	Cap Screw ¹ / ₄ -20 x ³ / ₄ Hex Hd. (HWS1 & HWS2).....	2
12	00-332952	Screw – Bar Slide	2
13	00-332829	Sleeve – Threaded.....	2
14	00-333247	Disc – Adjusting	2
15	00-332834	Spring – Compression	2
16	00-333363	D – Washer	2
17	00-332833	Washer – Film Brake	2
18	00-333248	Brake – Core.....	2
19	RR-011-06	Retaining Ring	2
20	00-334784	Rod – Film Carrier (HWS2, HWS3, & HWS4) (26 ⁵ / ₈ In.).....	2
21	00-332828	Rod – Film Carrier (HWS1) (24 ³ / ₄ In.).....	2
22	00-442099	Roller – Film Feed (HWS3 & HWS4) (22 ⁵ / ₈ In.)	2
23	00-333687	Roller – Film Feed (HWS1 & HWS2) (25 ⁵ / ₈ In.)	2
24	RR-011-06	Retaining Ring	2
25	00-333248	Brake – Core.....	2
26	00-332833	Washer – Film Brake	2
27	00-333363	Washer – D Film Core	2
28	00-333686	Sleeve – Plain.....	2
29	00-332952	Screw – Bar Slide	2
	00-332948	Brake Core Assy. (Incls. Items 24 thru 29).....	2
	00-332944	Adjusting Core Assy. (Incls. Items 12 thru 19).....	2



**ROLLERS AND FILM SHAFTS
(HWS4C ML-4425)**

**ROLLERS AND FILM SHAFTS
(HWS4C ML-44225)**

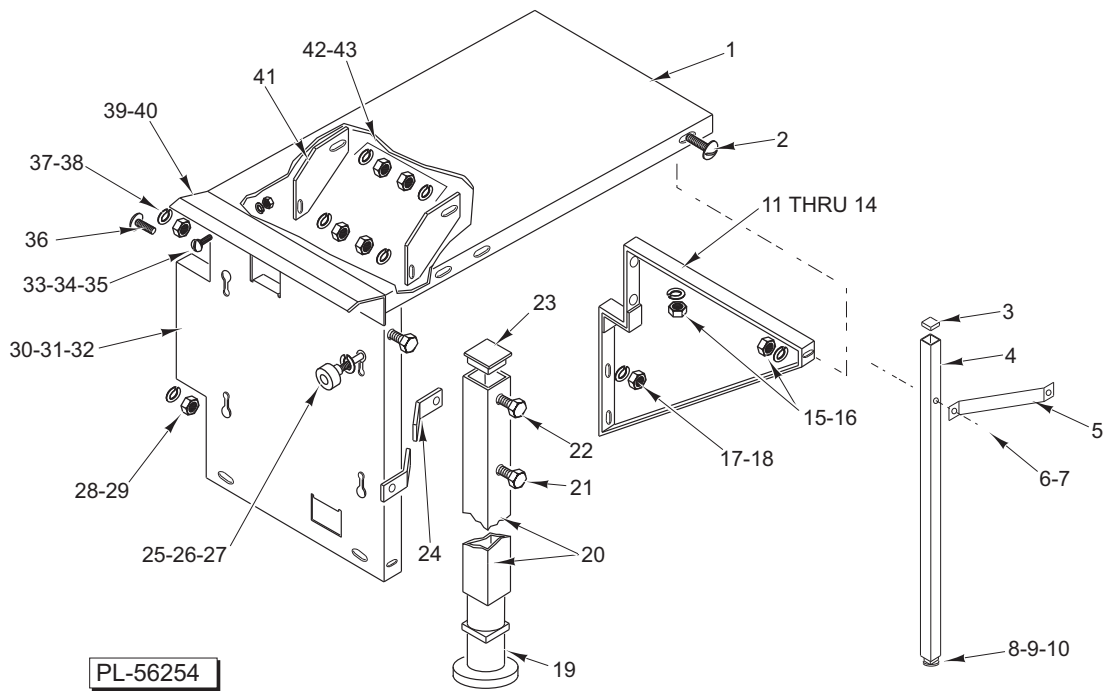
ILLUS. PL-59592	PART NO.	NAME OF PART	AMT.
1	00-446469-00006	Shaft – Roller	1
2	00-446469-00012	Roller (With Bearings).....	1
3	00-442388	Retainer – Film	1
4	00-446469-00012	Roller (With Bearings).....	5
5	00-446469-00006	Shaft – Roller	5
6	00-046645	Retainer – Shaft.....	12
7	00-030929	O-Ring	1
8	00-443694	Shaft – Film Roll (24 In.).....	1
9	00-130445-00041	Core – Film (Adjustable).....	1
10	00-441680-00001	Cap (1/4).....	4
11	NS-029-01	Wing Nut 1/4-20 (SST).....	4
12	00-130445-00039	Pin – Core Adapter (Aluminum Core).....	2
13	00-130445-00038	Core – Film (Fixed).....	2
14	SC-129-32	Mach. Screw 1/4-20 x 2 1/2 Slotted Rd. Hd. (SST).....	4
15	00-130445-00038	Core – Film (Fixed).....	1
16	00-443694	Shaft – Film Roll (24 In.).....	1
17	SC-129-32	Mach. Screw 1/4-20 x 2 1/2 Slotted Rd. Hd. (SST).....	4
18	00-130445-00041	Core – Film (Adjustable).....	1
19	00-443695	Kit – Bearing Block (Set of 4) (1 Kit Per Axle) (Incls. Items 20 & 17).....	2
20	NS-029-01	Wing Nut 1/4-20 (SST).....	4
21	00-441680-00001	Cap (1/4).....	4



**SIDE SHELF
(WITHOUT PRINTER SUPPORT)**

**SIDE SHELF
(WITHOUT PRINTER SUPPORT)**

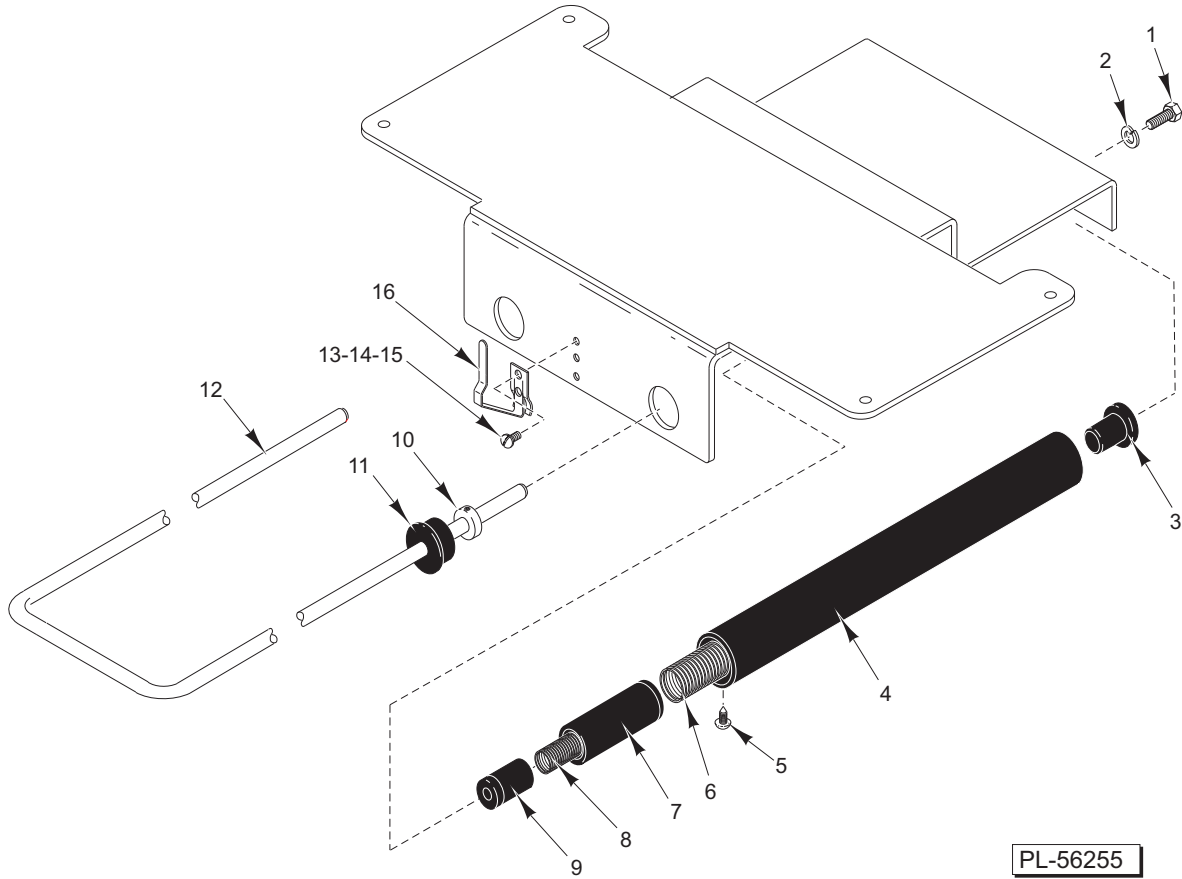
ILLUS.	PART NO.	NAME OF PART	AMT.
PL-56253			
1	00-333244	Shelf – Side	1
2	00-046603	Shelf Assy. – Welded (Incls. RH & LH Brackets)	1
3	SC-010-16	Mach. Screw 10-24 x 1/2 Truss Hd.	4
4	WL-008-13	Lockwasher #10 Internal Shakeproof	4
5	NS-009-22	Nut 10-24 Hex.....	4
6	00-334099	Bracket – Shelf (RH) (HWS3 & HWS4 ML-44049)	1
7	00-333670	Bracket – Shelf (RH) (HWS2)	1
8	00-333250	Bracket – Shelf (RH) (HWS1).....	1
9	00-334101	Gusset – Support (HWS3 & HWS4 ML-44049)	2
10	00-333246	Gusset – Support (HWS1).....	1
11	SC-010-16	Mach. Screw 10-24 x 1/2 Truss Hd.	2
12	SC-010-16	Mach. Screw 10-24 x 1/2 Truss Hd.	2
13	WL-008-13	Lockwasher #10 Internal Shakeproof	2
14	NS-009-22	Mach. Nut 8-32 Hex.....	2
15	00-334087	Bracket – Shelf (RH) (HWS3 & HWS4 ML-44049)	1
16	00-333669	Bracket – Shelf (LH) (HWS2).....	1
17	00-333243	Bracket – Shelf (LH) (HWS1).....	1



SIDE SHELF & PRINTER SUPPORT

SIDE SHELF & PRINTER SUPPORT

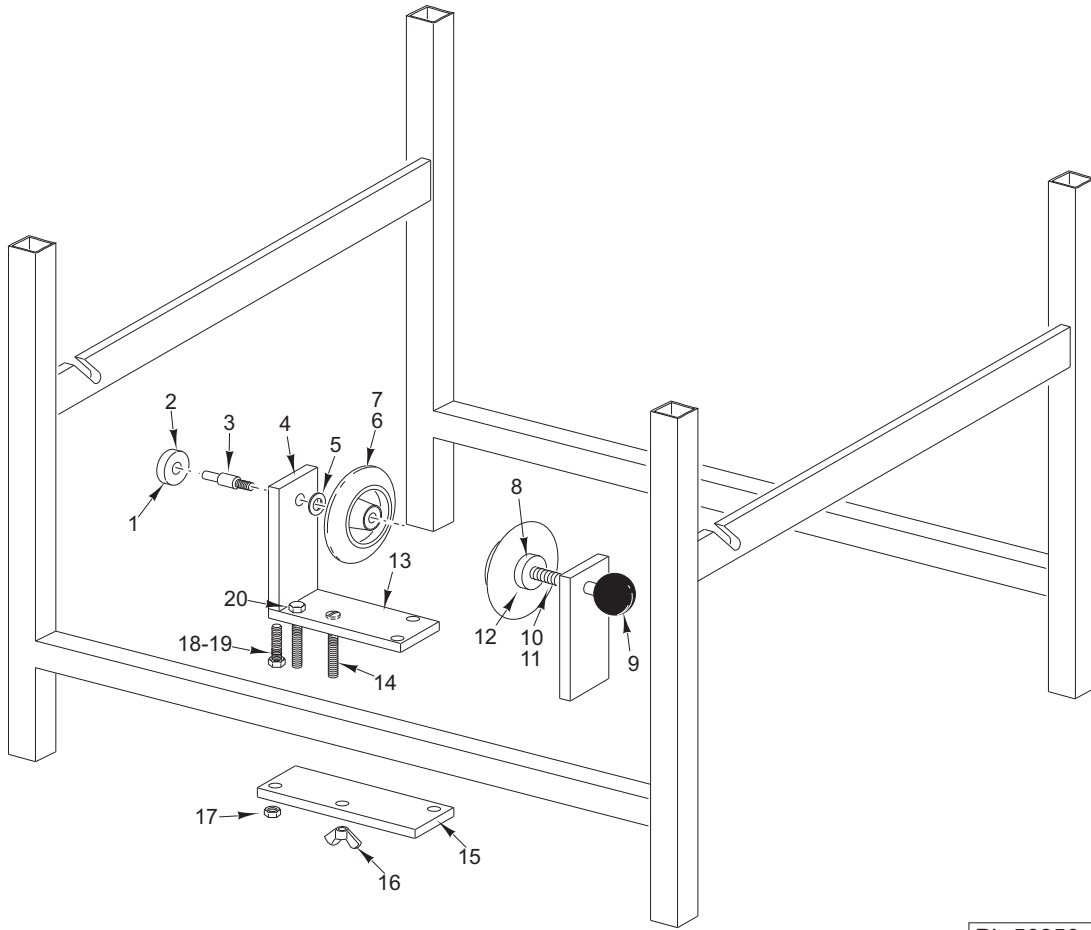
ILLUS.	PART NO.	NAME OF PART	AMT.
	PL-56254		
1	00-333244	Shelf – Side	1
2	SC-010-16	Mach. Screw 10-24 x 1/2 Truss Hd.	4
3	00-333697	Cap – Plug.....	1
4	00-333684	Leg – Shelf Support (1 In.) (HWS2).....	1
5	00-333690	Support – Leg Brace (HWS2).....	1
6	WL-003-39	Lockwasher 1/4 Light.....	2
7	NS-013-02	Nut 1/4-20 Hex	2
8	00-333149	Insert – Leveler (HWS2).....	1
9	NS-017-16	Nut – Jam 3/8-16 Hex Hd.....	1
10	00-333148	Adjustable Foot (HWS2).....	1
11	00-334087	Bracket – Shelf (LH) (HWS3).....	1
12	00-333250	Bracket – Shelf (LH) (HWS1).....	1
13	00-333669	Bracket – Shelf (LH) (HWS2).....	1
14	00-334087	Bracket – Shelf (LH) (HWS4 ML-44049)	1
15	NS-009-22	Nut 10-24 Hex.....	4
16	WL-008-13	Lockwasher #10 Internal Shakeproof	4
17	WL-003-39	Lockwasher 1/4 Light.....	2
18	NS-013-02	Nut 1/4-20 Hex	2
19	00-334100	Foot – Adjustable (HWS3 & HWS4 ML-44049)	1
20	00-334086	Leg – Shelf Support (HWS3 & HWS4 ML-44049)	1
21	SC-062-57	Cap Screw 1/4-20 x 2 Hex Hd. (HWS3 & HWS4 ML-44049)	2
22	SC-037-84	Cap Screw 1/4-20 x 1 1/2 Hex Hd. (HWS2).....	2
23	00-334088	Cap Plug 1 1/2 In.....	1
24	00-334746	Support – Leg Brace (HWS3 & HWS4 ML-44049)	1
25	SC-040-91	Cap Screw 8-32 x 7/8 Soc. Fil. Hd.	2
26	WL-008-07	Lockwasher #8 Internal Shakeproof	2
27	00-332956	Stud – Printer Mounting	2
28	NS-013-02	Nut 1/4-20 Hex	2
29	WL-003-39	Lockwasher 1/4 Light.....	2
30	00-333955	Panel – Printer Support (HWS3 & HWS4 ML-44049).....	1
31	00-333245	Panel – Printer Support (HWS1).....	1
32	00-333683	Panel – Printer Support (HWS2).....	1
33	SC-010-16	Mach. Screw 10-24 x 1/2 Truss Hd.	2
34	WL-008-13	Lockwasher #10 Internal Shakeproof	2
35	NS-009-22	Nut 10-24 Hex.....	2
36	SC-010-16	Mach. Screw 10-24 x 1/2 Truss Hd.	2
37	NS-013-02	Nut 1/4-20 Hex	2
38	WL-003-39	Lockwasher 1/4 Light.....	2
39	00-333960	Shield – Printer (HWS3 & HWS4 ML-44049)	1
40	00-333391	Shield – Printer (HWS1 & HWS2).....	1
41	00-334101	Gusset – Support (HWS3 & HWS4 ML-44049)	2
42	WL-008-13	Lockwasher #10 Internal Shakeproof	4
43	NS-009-22	Nut 10-24 Hex.....	4



**PACKAGE REST KIT
(HWS4 ML-44113 & HWS4C ML-44225)**

**PACKAGE REST KIT
(HWS4 ML-44113 & HWS4C ML-44225)**

ILLUS. PL-56255	PART NO.	NAME OF PART	AMT.
1	SC-041-05	Cap Screw 1/4-20 x 5/8 Hex Hd.....	2
2	WL-006-17	Lockwasher 1/4	2
3	00-442049	Plug – Tube Guide	2
4	00-442050	Housing – Spring	2
5	SD-036-01	Self-Tapping Screw 6-20 x 1/4 Phil. Pan Hd., Type AB (Zinc Plated).....	4
6	00-442052	Spring – Compression Large	2
7	00-442047	Spring – Guide Assy.....	2
8	00-442051	Spring – Compression Small	2
9	00-442046	Guide – Tube	2
10	00-442048	Collar – Shaft (Zinc Plated).....	2
11	00-442053	Plug – Tube Guide	2
12	00-442043	Rod – Package Rest.....	1
13	SC-093-03	Mach. Screw 8-32 x 3/8 Pan Hd.....	2
14	WL-006-02	Lockwasher #8.....	2
15	NS-044-07	Nut 8-32 KEPS	2
16	00-442353	Fastener – Quick-Release	1
	00-441566	Kit – Package Rest (Incls. Items 1 thru 16)	1

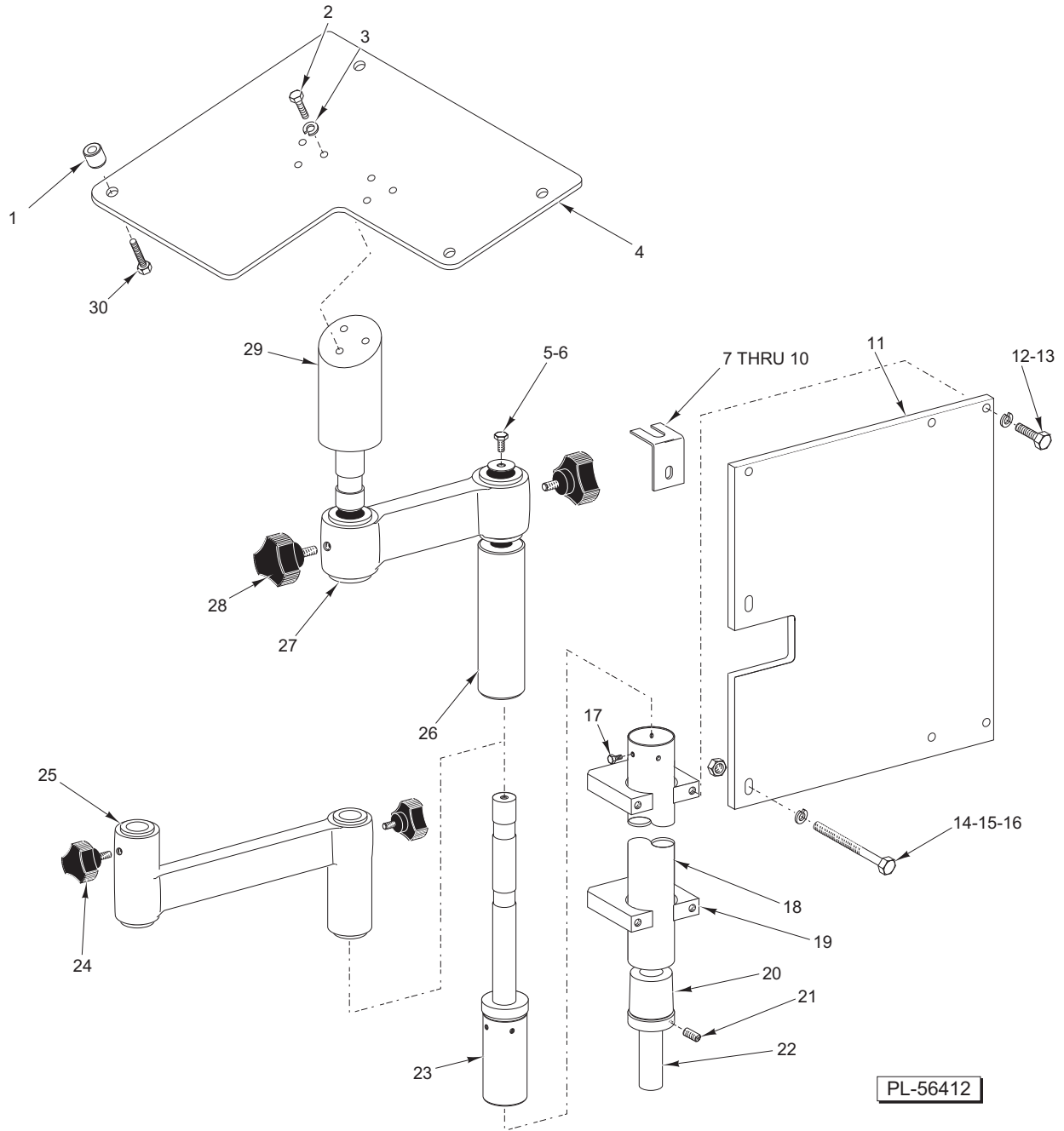


PL-56256

OVERLAY DISPENSER UNIT

OVERLAY DISPENSER UNIT

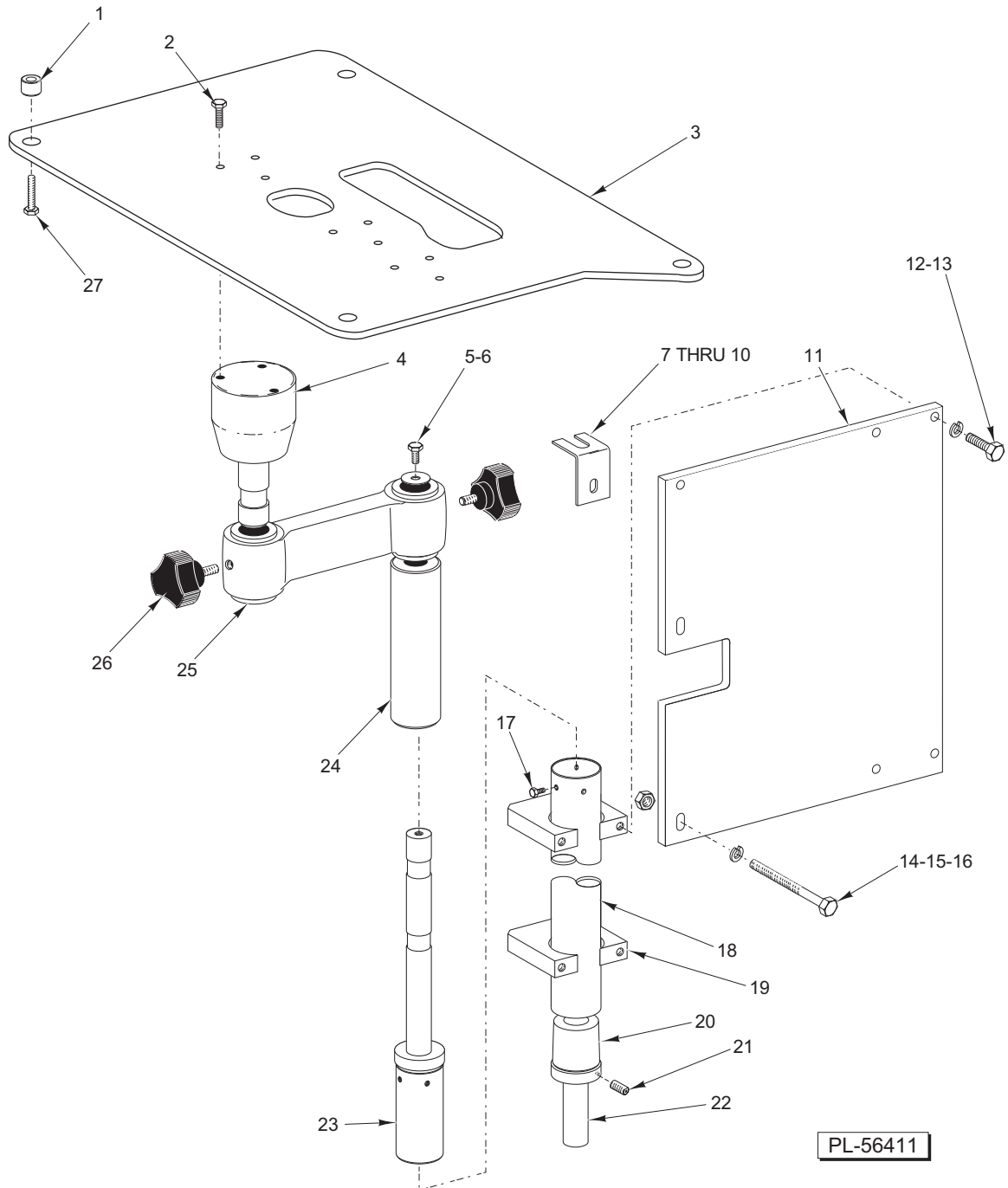
ILLUS.	PART NO.	NAME OF PART	AMT.
	PL-56256		
1	00-086710	Collar Assy. (Incls. Item 2)	1
2	SC-075-10	Set Screw 1/4-20 x 3/16 Soc. Hdls., Cup Pt.	1
3	00-333079	Shaft	1
4	00-333081	Bearing Assy.	2
5	WS-018-30	Washer.....	2
6	NS-017-08	Jam Nut 5/16-18 Hex	2
7	00-333082	Spool.....	2
8	SC-075-10	Set Screw 1/4-20 x 3/16 Soc. Hdls., Cup Pt.	1
9	00-060468	Knob – Gear Shift	1
10	00-333083	Spring	1
11	00-333080	Shaft	1
12	00-086710	Collar Assy. (Incls. Item 8)	1
13	00-333085	Plate – Clamp	1
14	SC-081-68	Mach. Screw 1/4-20 x 2 Rd. Hd.....	1
15	00-333088	Plate – Clamp	1
16	NS-028-11	Wing Nut 1/4-20.....	1
17	NS-037-10	Lock Nut 1/4-20 Special	2
18	WL-003-38	Lockwasher 1/4 Medium.....	4
19	SC-118-19	Cap Screw 1/4-20 x 3/4 Hex Hd.....	4
20	SC-124-56	Cap Screw 1/4-20 x 2 Hex Hd.	2
	00-333078	Overlay Film Assy. (Incls. Items 1 thru 20).....	1



ULTIMA MOUNTING KIT

ULTIMA MOUNTING KIT

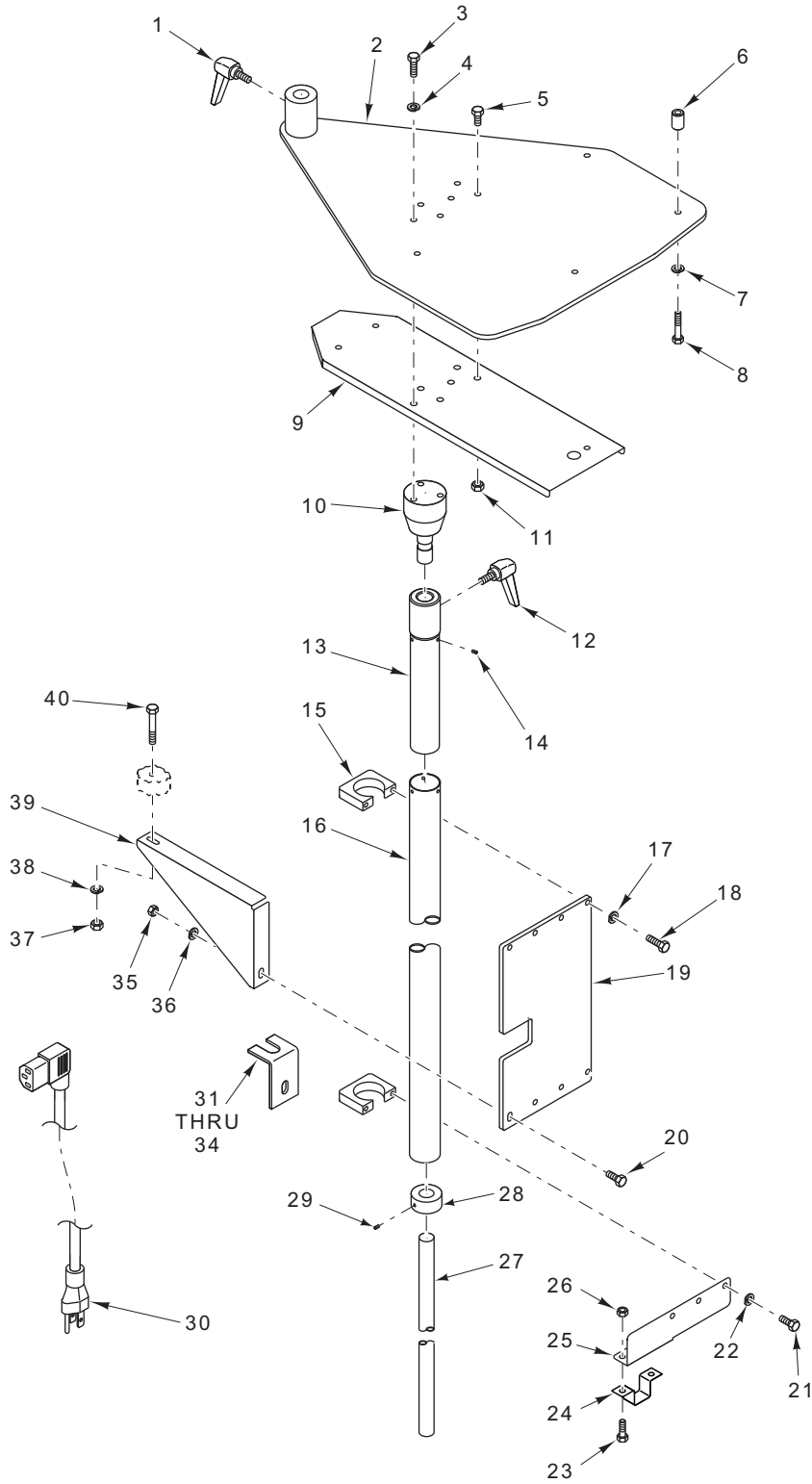
ILLUS. PL-56412	PART NO.	NAME OF PART	AMT.
1	00-333750	Spacer Label Head	4
2	SC-068-33	Mach. Screw 10-32 x 1/2 Hex	3
3	WL-008-13	Lockwasher #10 Internal Shakeproof	3
4	00-042571	Plate – Printer Mount	1
5	WS-003-45	Washer	1
6	SC-100-08	Mach. Screw 1/4-20 x 3/8 Hex Washer Hd., Whiz-Lock	1
7	00-183648	Clamp	2
8	SC-008-10	Mach. Screw 10-32 x 1/2 Slotted Rd. Hd.	2
9	NS-009-22	Nut 10-24 Hex	2
10	WL-008-13	Lockwasher #10 Internal Shakeproof	2
11	00-043651	Plate – Post Mounting	1
12	SC-118-19	Cap Screw 1/4-20 x 3/4 Hex Hd.	4
13	WL-003-38	Lockwasher 1/4 Medium	4
14	SC-118-57	Cap Screw 1/4-20 x 2 1/2 Hex Hd.	2
15	WL-003-38	Lockwasher 1/4 Medium	2
16	NS-013-02	Nut 1/4-20 Hex	2
17	SC-116-95	Mach. Screw 8-32 x 3/8 Hex Hd.	3
18	00-043433	Column Display	1
19	00-254866	Block – Column	2
20	00-043652	Bushing – Leg	1
21	SC-047-72	Set Screw 1/4-20 x 3/8 Hex Hdls., Cup Pt.	2
22	00-043653	Leg	1
23	00-043449	Post Assy. Support	1
24	00-183538	Knob – Film Centering	2
25	00-043420	Arm Assy. – Printer Pivot (U2000P3)	1
26	00-043757	Spacer – Pivot Arm	1
27	00-043421	Arm Assy. – Printer Pivot (U2000S1/U2000P1)	1
28	00-183538	Knob – Film Centering	2
29	00-042570	Pivot Assy. – Printer	1
30	SC-121-62	Mach. Screw 1/4-20 x 1 Hex Washer Hd., Whiz-Lock	4
	00-184751	Kit – U2000S1/U2000P1 Post Kit (Incls. Items 1 thru 23 & 26 thru 30)	AR
	00-043425	Kit – U2000P3 (Incls. Items 1 thru 4, 24, 25, 29, & 30)	AR



QUANTUM/HLX MOUNTING KIT

QUANTUM/HLX MOUNTING KIT

ILLUS.	PART NO.	NAME OF PART	AMT.
PL-56411			
1	00-445471	Spacer – Printer Mounting.....	4
2	SC-121-61	Mach. Screw 1/4-20 x 5/8 Hex Washer Hd., Whiz-Lock.....	3
3	00-044821	Plate – Printer Mount.....	1
4	00-044829	Pivot Assy. – Printer.....	1
5	WS-003-45	Washer.....	1
6	SC-100-08	Mach. Screw Special 1/4-20 x 3/8 Hex Washer Hd., Whiz-Lock.....	1
7	SC-008-10	Mach. Screw 10-24 x 1/2 Slotted Rd. Hd.	2
8	WL-008-13	Lockwasher #10 Internal Shakeproof.....	2
9	NS-009-22	Nut 10-24 Hex.....	2
10	00-183648	Clamp.....	2
11	00-043651	Plate – Post Mounting.....	1
12	SC-118-19	Cap Screw 1/4-20 x 3/4 Hex Hd.....	4
13	WL-003-38	Lockwasher 1/4 Medium.....	4
14	SC-118-57	Cap Screw 1/4-20 x 2 1/2 Hex Hd.....	2
15	WL-003-38	Lockwasher 1/4 Medium.....	2
16	NS-013-02	Nut 1/4-20 Hex.....	2
17	SC-116-95	Mach. Screw 8-32 x 3/8 Hex Hd.....	3
18	00-043433	Column – Display.....	1
19	00-254866	Block – Column.....	2
20	00-043652	Bushing – Leg.....	1
21	SC-047-72	Set Screw 1/4-20 x 3/8 Hex Hdls., Cup Pt.....	2
22	00-043653	Leg.....	1
23	00-043449	Post Assy. Support.....	1
24	00-043757	Spacer – Pivot Arm.....	1
25	00-440631	Arm Assy. – Printer Pivot.....	1
26	00-183538	Knob – Film Centering.....	2
27	SC-121-62	Mach. Screw 1/4-20 x 1 Hex Washer Hd., Whiz-Lock.....	4
	00-044832	Kit – Quantum Post Assy. (Incls. Items 1 thru 27).....	AR

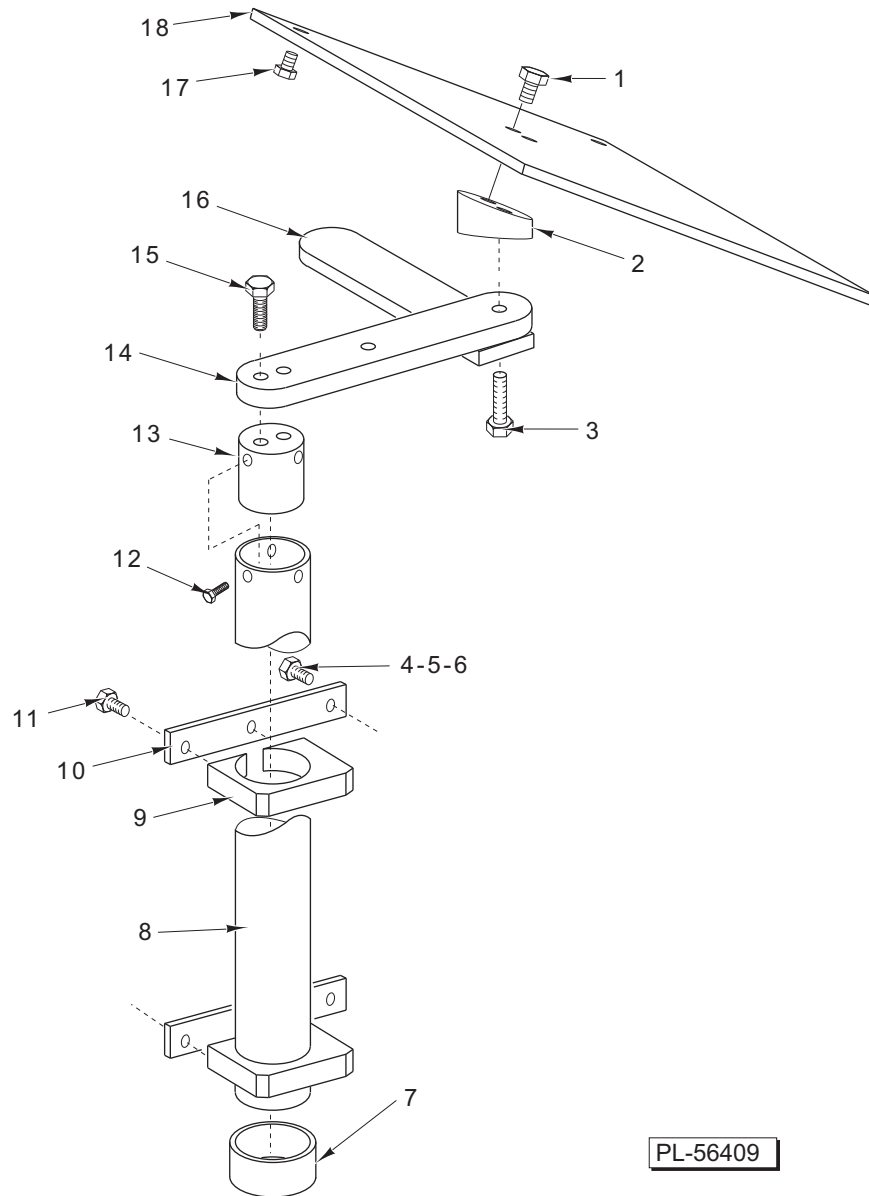


PL-59622

ACCESS MOUNTING KIT

ACCESS MOUNTING KIT

ILLUS. PL-59622	PART NO.	NAME OF PART	AMT.
1	00-442734	Knob – Console Mount	1
2	00-443478	Plate Assy. – Printer Mount.....	1
3	SC-118-19	Cap Screw 1/4-20 x 3/4 Hex Hd.....	1
4	WL-003-38	Lockwasher 1/4 Helical.....	1
5	SC-123-92	Mach. Screw 1/4-20 x 5/8 Hex Washer Hd.....	5
6	00-443459	Spacer – Printer Mount.....	1
7	WL-003-38	Lockwasher 1/4 Helical.....	4
8	SC-041-07	Cap Screw 1/4-20 x 1 1/2 Hex Hd. (SST)	4
9	00-443776	Bracket – Printer Mount Plate.....	1
10	00-044829	Stud Assy. – Printer Pivot.....	1
11	NS-038-04	Lock Nut 1/4-20 Hex.....	5
12	00-442734	Knob – Console Mount	1
13	00-443764	Post – Support	1
14	SC-116-95	Mach. Screw 8-32 x 3/8 Slotted Hex Hd.....	1
15	00-254866	Block – Column.....	3
16	00-043433	Column – Display.....	1
17	WL-003-38	Lockwasher 1/4 Helical.....	2
18	SC-118-19	Cap Screw 1/4-20 x 3/4 Hex Hd.....	2
19	00-443768	Plate – Post Mounting.....	1
20	SC-118-57	Cap Screw 1/4-20 x 2 1/2 Hex Hd.....	2
21	SC-118-20	Cap Screw 1/4-20 x 1/2 Hex Hd.....	2
22	WL-003-38	Lockwasher 1/4 Helical.....	2
23	SC-123-92	Mach. Screw 1/4-20 x 5/8 Hex Washer Hd.	1
24	00-443762	Bracket – Column Display	1
25	00-443763	Bracket – Column Display Mount	1
26	NS-038-04	Lock Nut 1/4-20 Hex.....	5
27	00-043653	Leg.....	1
28	00-043652	Bushing – Leg.....	1
29	SC-047-72	Set Screw 1/4-20 x 3/8 Hex Hdls., Cup Pt.	2
30	00-257200	Cord – Power.....	1
31	00-183648	Clamp	2
32	SC-008-10	Mach. Screw 10-24 x 1/2 Slotted Rd. Hd.	2
33	WL-008-13	Lockwasher #10 Internal.....	2
34	NS-009-22	Nut 10-24 Hex.....	2
35	NS-013-02	Nut 1/4-20 Hex	2
36	WL-003-38	Lockwasher 1/4 Helical.....	2
37	NS-009-22	Nut 10-24 Hex.....	2
38	WL-004-40	Lockwasher #10 Helical.....	2
39	00-443775	Brace – Frame	1
40	SC-111-29	Mach. Screw 10-24 x 1 1/2 Phil. Pan Hd.....	2
	00-441937-00004	Cable – USB (3 Ft.)	1
	00-441419-00003	Cord – AC (Printer to Console) (3 Ft.)	1

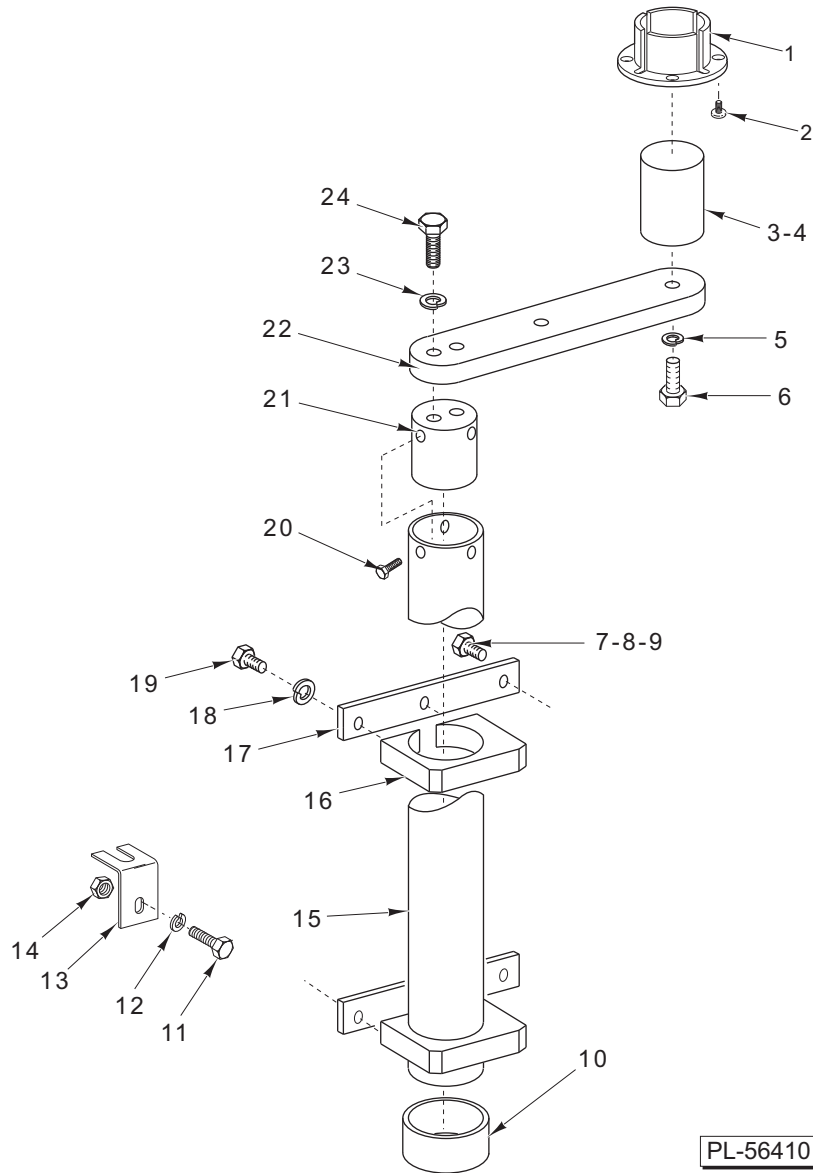


PL-56409

18VP/18VPS POST ASSEMBLY

18VP/18VPS POST ASSEMBLY

ILLUS.	PART NO.	NAME OF PART	AMT.
PL-56409			
1	SC-068-19	Mach. Screw 10-32 x 1/2 Hex Hd.....	2
2	00-259050	Pivot.....	1
3	SC-117-91	Cap Screw 1/4-20 x 1 Hex Hd.	1
4	SC-118-57	Cap Screw 1/4-20 x 2 1/2 Hex Hd.....	2
5	WL-003-39	Lockwasher 1/4 Light.....	2
6	NS-013-02	Nut 1/4-20 Hex.....	2
7	00-183663	Protector – Cord.....	1
8	00-258194	Post – Display.....	1
9	00-254866	Block – Post.....	2
10	00-258506	Bar – Post Mount.....	2
11	SC-118-19	Cap Screw 1/4-20 x 3/4 Hex Hd.....	4
12	SC-116-95	Mach. Screw 8-32 x 3/8 Hex Hd.....	3
13	00-258146	Post – Support.....	1
14	00-183687	Arm – Support.....	1
15	SC-117-91	Cap Screw 1/4-20 x 1 Hex Hd.....	2
16	00-258510	Guide Liner.....	1
17	SC-116-18	Cap Screw 8-32 x 1 Hex Hd.....	2
18	00-258507	Plate.....	1
	00-258505	Kit – 18VP/18VPS Post Assy. (Incls. Items 1 thru 18).....	AR



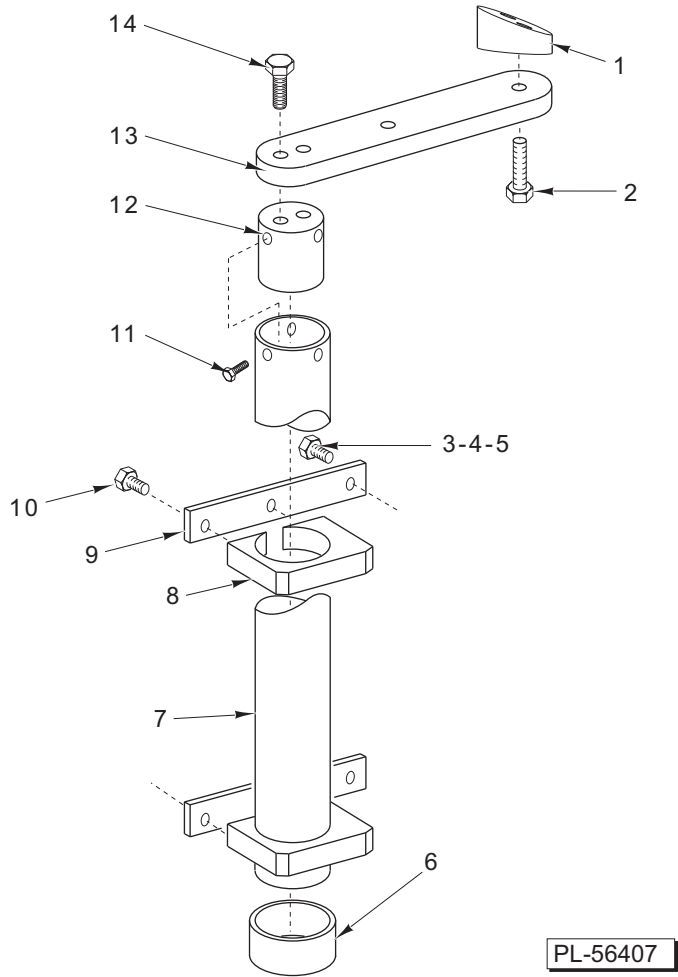
PL-56410

SP PRINTER MOUNT

SP PRINTER MOUNT

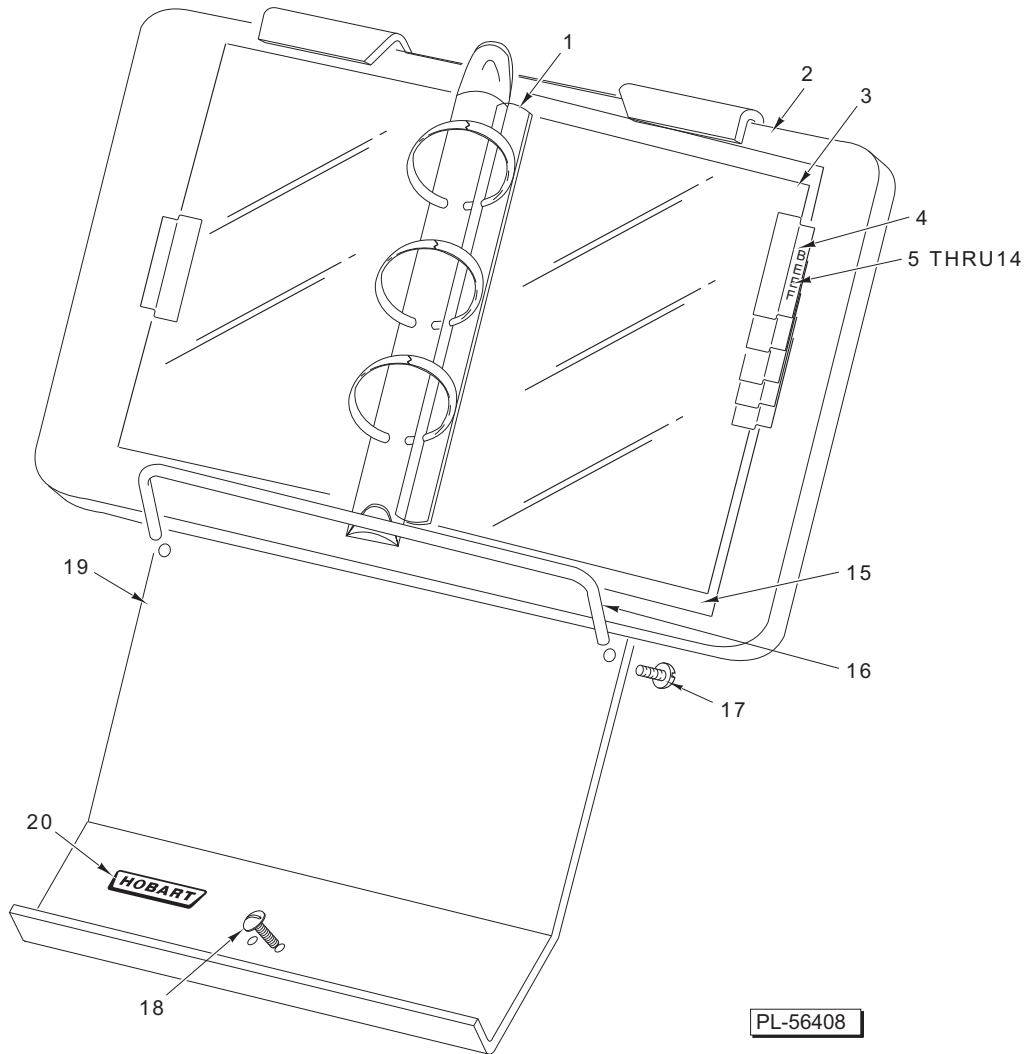
ILLUS.	PART NO.	NAME OF PART	AMT.
PL-56410			
1	00-259726	Ring - Clamp.....	1
2	SC-037-82	Cap Screw 1/4-20 x 7/8 Hex Hd.....	3
3	00-183645	Pivot.....	1
4	RP-005-02	Roll Pin (0.125 x 0.500).....	1
5	WL-003-39	Lockwasher 1/4 Light.....	1
6	SC-117-91	Cap Screw 1/4-20 x 1 Hex Hd.	1
7	WL-003-39	Lockwasher 1/4 Light.....	2
8	SC-118-57	Cap Screw 1/4-20 x 2 1/2 Hex Hd.....	2
9	NS-013-02	Nut 1/4-20 Hex.....	2
10	00-183663	Protector Cord.....	1
11	SC-008-10	Mach. Screw 10-24 x 1/2 Slotted Rd. Hd.	2
12	WL-008-13	Lockwasher #10 Internal Shakeproof.....	2
13	00-183648	Clamp.....	2
14	NS-009-22	Nut 10-24 Hex.....	2
15	00-258194	Post – Display.....	1
16	00-254866	Block – Post.....	2
17	00-258506	Bar – Post Mount.....	2
18	WL-003-39	Lockwasher 1/4 Light.....	4
19	SC-118-19	Cap Screw 1/4-20 x 3/4 Hex Hd.....	4
20	SC-116-95	Mach. Screw 8-32 x 3/8 Hex Hd.....	3
21	00-258146	Post – Support.....	1
22	00-183687	Arm – Support.....	1
23	WL-003-39	Lockwasher 1/4 Light.....	2
24	SC-117-91	Cap Screw 1/4-20 x 1 Hex Hd.....	2
	00-183689	Kit – Scale/Printer Installation.....	1

HAND WRAP STATIONS REPLACEMENT PARTS



LIBRARY SUPPORT – POST ASSEMBLY

ILLUS.	PART NO.	NAME OF PART	AMT.
1	00-258026	Pivot.....	1
2	SC-117-91	Cap Screw 1/4-20 x 1 Hex Hd.	1
3	SC-118-57	Cap Screw 1/4-20 x 2 1/2 Hex Hd.	2
4	WL-003-39	Lockwasher 1/4 Light.....	2
5	NS-013-02	Nut 1/4-20 Hex.....	2
6	00-183663	Protector – Cord.....	1
7	00-258194	Post – Display.....	1
8	00-254866	Block – Post.....	2
9	00-258506	Bar – Post Mount.....	2
10	SC-118-19	Cap Screw 1/4-20 x 3/4 Hex Hd.....	4
11	SC-116-95	Mach. Screw 8-32 x 3/8 Hex Hd.....	3
12	00-258146	Post – Support.....	1
13	00-183687	Arm – Support.....	1
14	SC-117-91	Cap Screw 1/4-20 x 1 Hex Hd.	2
	00-258511	Look-Up Post Assy. (Incls. Items 1 thru 14).....	1



PLU LIBRARY

ILLUS.	PART NO.	NAME OF PART	AMT.
	PL-56408		
1	00-183752	Strip – Reinforcement.....	17
2	00-516298	Binder – 3-Ring.....	1
3	00-258780	Insert – Stiffener.....	17
4	00-258739	Tab – Index.....	25
5	00-258738-00001	Identifier – Page (Veal).....	2
6	00-258738-00002	Identifier – Page (Poultry).....	2
7	00-258738-00003	Identifier – Page (Pork).....	3
8	00-258738-00004	Identifier – Page (Misc.).....	2
9	00-258738-00005	Identifier – Page (Operating Inst.).....	1
10	00-258738-00006	Identifier – Page (Beef).....	3
11	00-258738-00007	Identifier – Page (Lamb).....	2
12	00-258738-00008	Identifier – Page (Seafood).....	2
13	00-258738-00009	Identifier – Page (Cheese).....	2
14	00-258738-00010	Identifier – Page (Produce).....	2
15	00-183763	Protector Sheet (Incls. Item 1).....	17
16	00-258762	Rod – Support.....	1
17	SC-112-42	Mach. Screw 6-32 x 1/2 Phil. Pan Hd.....	2
18	SC-110-97	Mach. Screw 10-32 x 1/2 Truss Hd.....	3
19	00-183905	Plate – Library.....	1
20	00-076971	Logo – Hobart.....	1
	00-183912	PLU Library Assy. (Incls. Items 1 thru 20).....	1

MISCELLANEOUS

ILLUS.	PART NO.	NAME OF PART	AMT.
PL-55654			
1	00-334289	Terminal – Spade 1/4 (Hi-Temp).....	AR
2	00-086951	Terminal – Ring #8 (Hi-Temp).....	AR
3	00-127691	Terminal – Ring #10 (Hi-Temp).....	AR
4	00-444559-00001	Wire 16 Ga. (Hi-Temp).....	AR