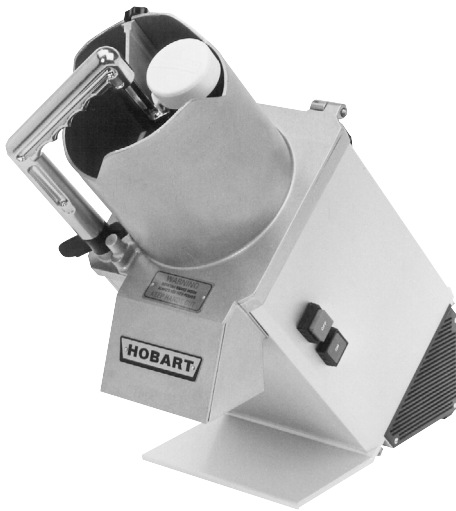




CATALOG OF REPLACEMENT PARTS

MODEL FP150 FOOD PROCESSOR

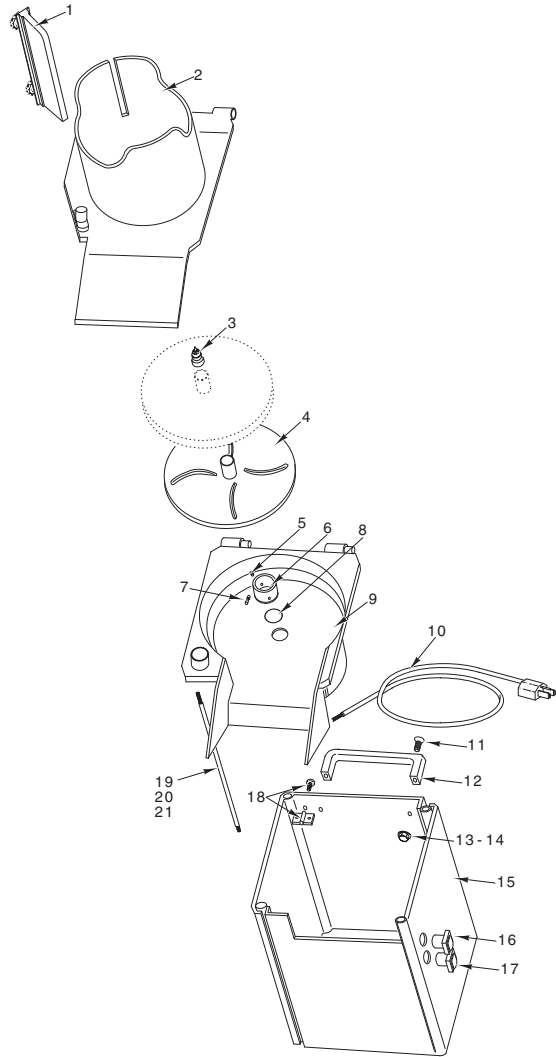


FP150
FP150C

ML-104600
ML-134180

Table of Contents

3	HOUSING UNIT
5	MOTOR AND BASE UNIT
7	ACCESSORIES
8	PUSH FEED HANDLE UNIT

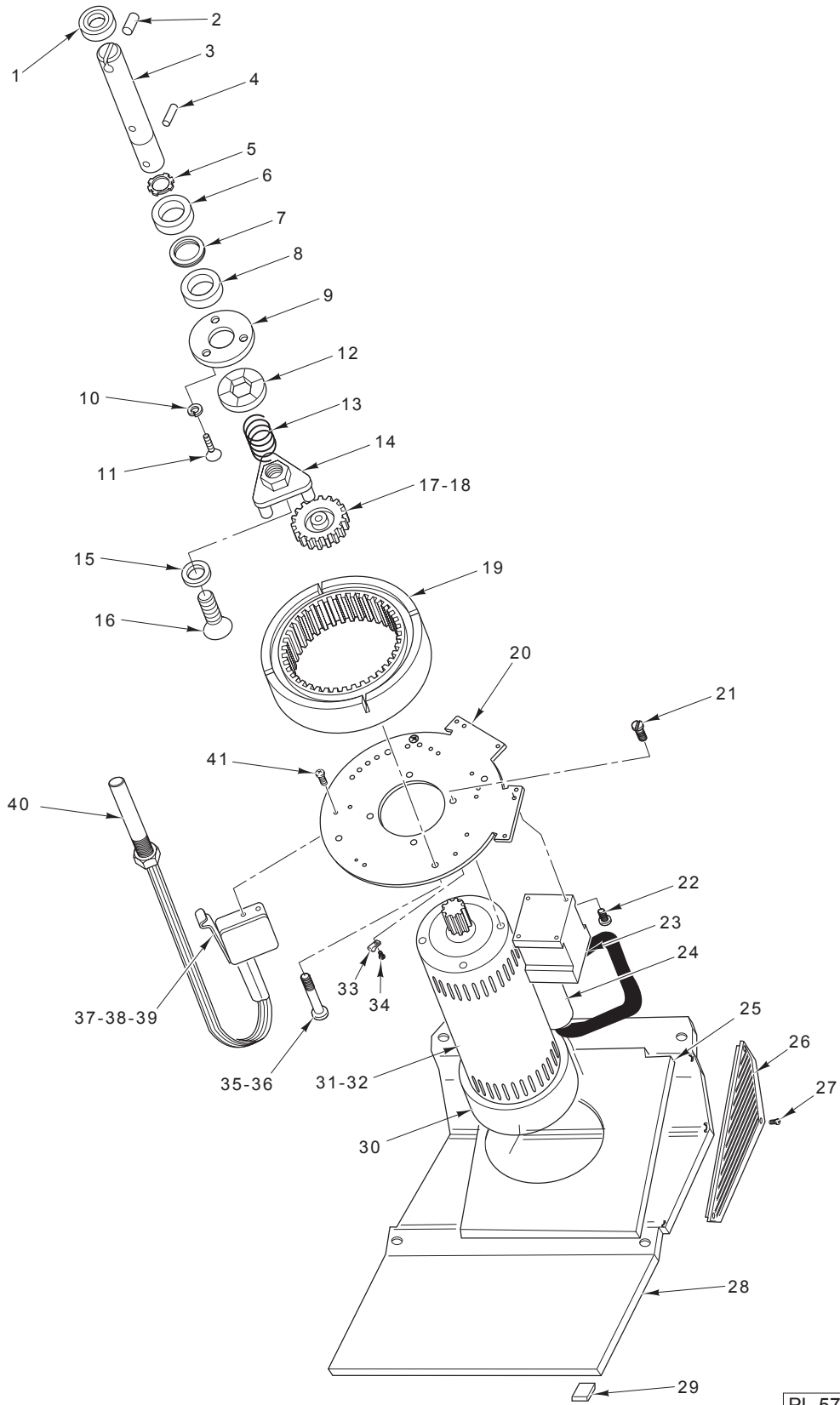


PL-57703

HOUSING UNIT

ILLUS.	PART NO.	NAME OF PART	AMT.
1	00-436466	Partition – Removable (With Knobs)	1
2	00-436467	Feed Head Assy.	1
3	00-436420	Screw – Locking	1
4	00-436422	Ejector	1
5	00-274323	Pin	2
6	00-436418	Sleeve – Thrust	1
7	00-436419	Pin – Carrier	1
8	00-274321	Seal – Washer	1
9	00-436483	Housing – Knife	1
10	00-274319	Cord & Plug (110/120 V.)	1
11	SC-120-90	Mach. Screw M8 x 20mm Cheese Hd.	2
12	00-274328	Handle Assy. (Incls Items 11, 13, & 14)	1
13	WL-019-74	Lockwasher 8.2mm Helical	2
14	NS-047-36	Nut M8	2
15	00-274330	Housing Assy.	1
16	00-875522	Stop Button Assy.	1
17	00-875523	Start Button Assy.	1
18	FE-025-33	Strain Relief (Power Cord)	1
19	00-274327	Pin Screw Assy. (Incls. Items 20 & 21)	4
20	WL-019-75	Lockwasher 5.1mm Helical	4
21	NS-047-91	Crown Nut M5 x 0.8	4

FP150 FOOD PROCESSOR REPLACEMENT PARTS



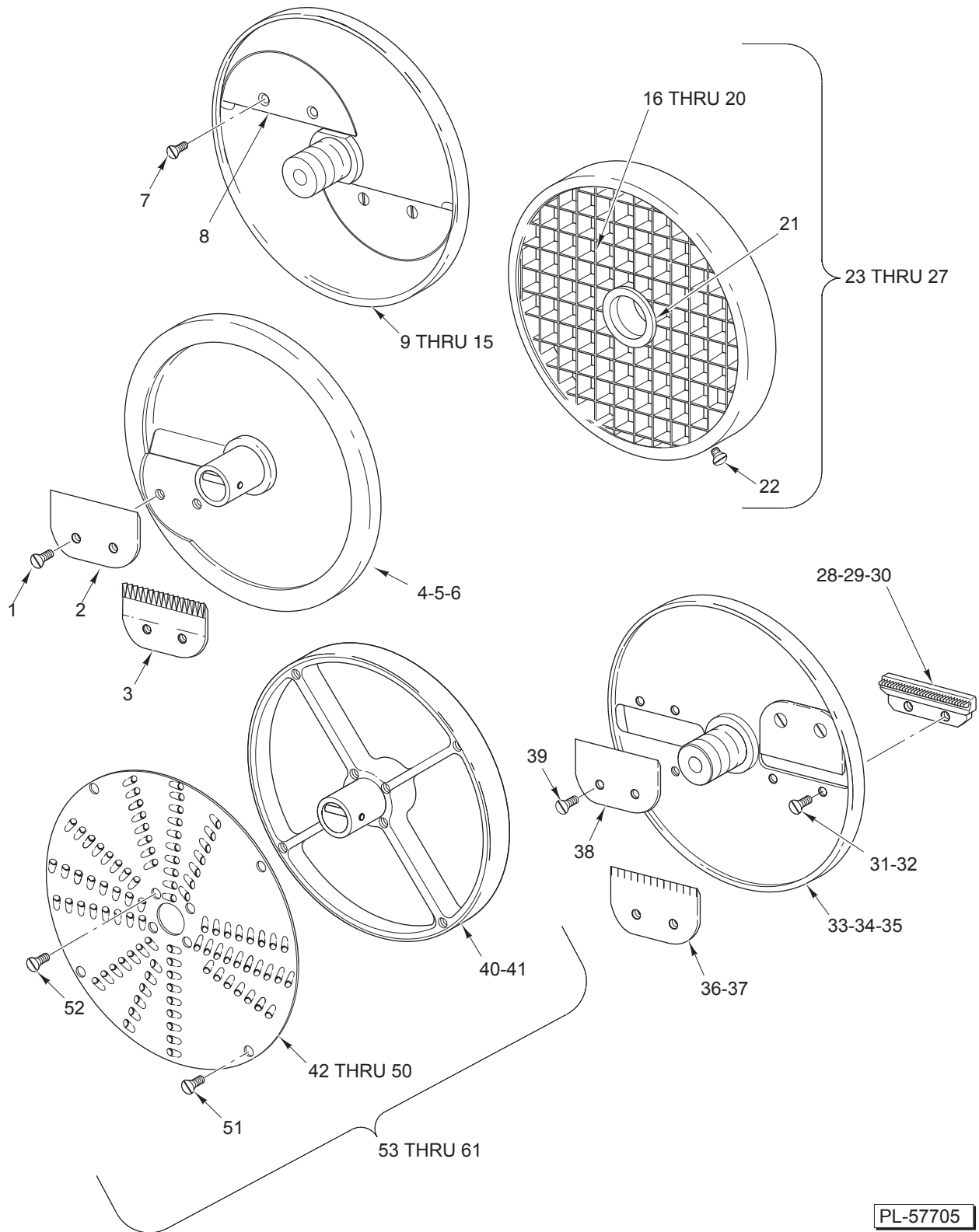
MOTOR AND BASE UNIT

PL-57704

MOTOR AND BASE UNIT

ILLUS.	PART NO.	NAME OF PART	AMT.
PL-57704			
1	00-274333	Seal – Rubber Washer 18 x 30mm	1
2	SC-121-48	Set Screw M8 x 12mm Slotted Hdls., Cup Pt. (SST)	1
3	00-436416	Shaft – Knife	1
4	RP-006-24	Roll Pin 6mm x 28mm (SST)	1
5	00-274400	Clip – Bearing	1
6	BB-017-09	Ball Bearing MRC 203S-01-ST-E-92-C	1
7	00-274399	Spacer – Bearing	1
8	BB-017-09	Ball Bearing MRC 203S-01-ST-E-92-C	1
9	00-274403	Shim – Brake	1
10	WL-019-75	Lockwasher 5.1mm Helical	3
11	SC-120-92	Mach. Screw M5 x 0.8 x 12mm Slotted Cheese Hd. (SST)	3
12	00-274336	Disc – Brake	1
13	00-274394	Spring – Pressure	1
14	00-274393	Planet Carrier	1
15	00-274376	Washer – Spring	1
16	SC-120-93	Mach. Screw M5 x 0.8 x 10mm Hex Flat Hd. (SST)	1
17	00-274402	Wheel – Planetary	3
18	00-274398	Washer – Planetary	3
19	00-274397	Ring – Planetary	1
20	00-478132	Motor Plate Assy.	1
21	SC-120-94	Mach. Screw M5 x 0.8 x 10mm Slotted Cheese Hd. (SST)	4
22	SD-037-41	Self-Tapping Screw 3.5 x 13mm Phil. Oval Hd., Type AB	4
*23	00-087713-089-1	Contact (110/120 V., 60 Hz.)	1
24	00-274344	Circuit RC (110 V.)	1
25	00-436465	Plate – Fan	1
26	00-274351	Louver RH & LH (Incls. Item 27)	2
27	SD-037-40	Self-Tapping Screw 3.5 x 9.5mm Slotted Oval Hd., Type AB	6
28	00-274352	Base Assy. (Incls. Item 34) (Give Serial Number)	1
29	00-274353	Foot – Rubber	4
30	00-274387	Cover – Fan	1
31	00-436469	Capacitor – Motor (110/120 V., 60 Hz.) (Not Shown)	1
32	00-436470	Motor & Gear (110/120 V., 60 Hz.) (Incls. Items 30 & 31)	1
33	00-274405	Clamp – Cable	1
34	SD-037-42	Self-Tapping Screw 3.5 x 9.5mm Phil. Oval Hd., Type AB	1
35	SC-120-91	Mach. Screw M5 x 0.8 x 40mm Slotted Cheese Hd. (SST)	4
36	WL-019-75	Lockwasher 5.1mm Helical	4
37	SC-120-95	Mach. Screw M3 x 16mm Phil. Oval Hd. (SST)	2
38	00-439302	Plate – Insulating	1
39	00-439300	Micro-Switch Assy.	1
40	00-439663	Switch – Reed (110/120 V.)	1
41	SD-037-42	Self-Tapping Screw 3.5 x 9.5mm Phil. Oval Hd., Type AB	2
	SC-118-28	Screw M4 x 0.7 x 12mm Slotted Pan Hd. (Grounding Hardware, Included With Item 20)	AR
	WL-200-03	Lockwasher 4.1mm Helical (Grounding Hardware, Included With Item 20)	AR
	NS-047-36	Nut M8 x 1.25 Hex (SST) (Grounding Hardware, Included With Item 20)	AR

* For Service on Machines Built Prior to SN 76-1009459, Order 00-478132.

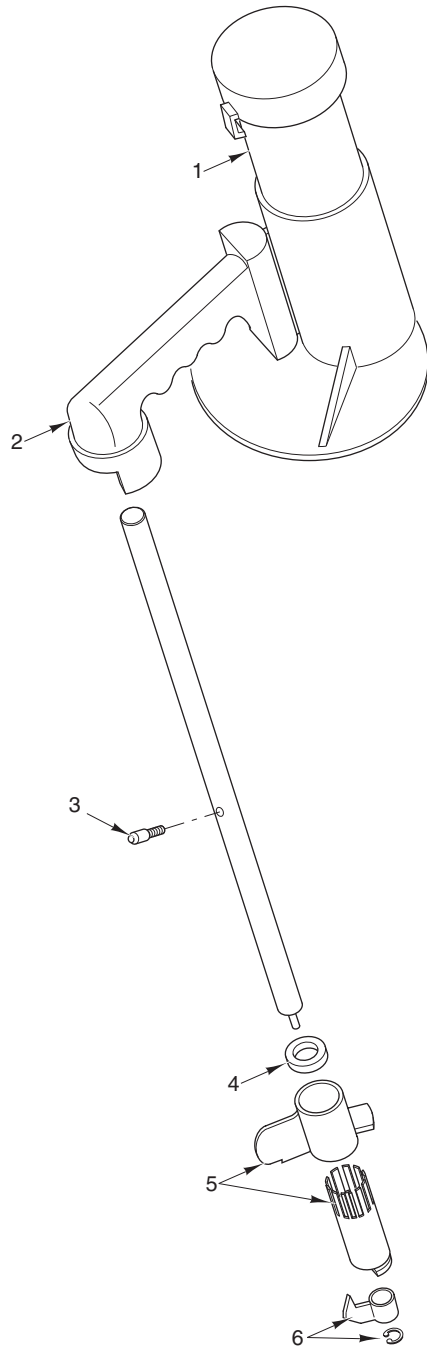


PL-57705

ACCESSORIES

ACCESSORIES

ILLUS. PL-57705	PART NO.	NAME OF PART	AMT.
1	SC-120-82	Mach. Screw M5 x 0.8 x 0.6mm Slotted Flat Hd. (SST)	AR
2	00-274317	Knife – Standard Cut Slicer	AR
3	00-435128	Knife – Crimping Slicer	1
4	00-436458	Plate – Standard Cut Slicer 3/8 In. (1 Knife) (Incls. Items 1 & 2)	1
5	00-436460	Plate – Crimping Slicer 3/16 In. (1-Knife) (Incls. Items 1 & 3)	1
6	00-914164	Plate – Slicer 1/2 In. (2 Knife) (Incls. Items 1 & 2)	1
7	SC-120-82	Mach. Screw M5 x 0.8 x 0.6mm Slotted Flat Hd. (SST)	AR
8	00-274318	Knife – Fine Cut Slicer	AR
9	00-477570	Plate – Fine Cut Slicer 1/8 In. (1-Knife) (Incls. Items 7 & 8)	1
10	00-436411-00001	Plate – Fine Cut Slicer 1/16 In. (2-Knife) (Incls. Items 7 & 8)	1
11	00-436412-00005	Plate – Fine Cut Slicer 5/8 In. (1-Knife) (Incls. Items 7 & 8)	1
12	00-478228	Plate – Fine Cut Slicer 3/32 In. (2-Knife) (Incls. Items 7 & 8)	1
13	00-436412-00001	Plate – Fine Cut Slicer 3/32 In. (1-Knife) (Incls. Items 7 & 8)	1
14	00-436412-00002	Plate – Fine Cut Slicer 7/32 In. (1-Knife) (Incls. Items 7 & 8)	1
15	00-436412-00003	Plate – Fine Cut Slicer 3/8 In. (1-Knife) (Incls. Items 7 & 8)	1
16	00-477782	Kit – Dicing Grid Knife 9/32 In.	1
17	00-477783	Kit – Dicing Grid Knife 3/8 In.	1
18	00-477784	Kit – Dicing Grid Knife 5/8 In.	1
19	00-477785	Kit – Dicing Grid Knife 3/4 In.	1
20	00-435116	Kit – French Fry Knife	1
21	00-477716	Ring – Center Grid	1
22	SC-120-83	Mach. Screw M4 x 0.7 x 0.6mm Slotted Flat Hd. (SST)	8
23	00-477712	Plate – Dicer 9/32 In. (Incls. Items 16, 21, & 22)	1
24	00-477713	Plate – Dicer 3/8 In. (Incls. Items 17, 21, & 22)	1
25	00-477714	Plate – Dicer 5/8 In. (Incls. Items 18, 21, & 22)	1
26	00-477715	Plate – Dicer 3/4 In. (Incls. Items 19, 21, & 22)	1
27	00-914165	Plate – Dicer 1/2 In. (Not Shown)	1
28	00-437549	Knife – Balk 3/32 In. (Use With Item 38)	2
29	00-437550	Knife – Balk 3/16 In. (Use With Item 36)	1
30	00-437552	Knife – Balk 5/16 In. (Use With Item 37)	1
31	SC-118-26	Mach. Screw M4 x 0.7 x 10mm Slotted Flat Hd. (SST)	AR
32	SC-120-83	Mach. Screw M4 x 0.7 x 0.6mm Slotted Flat Hd. (SST)	AR
33	00-437252	Plate – Julienne 3/32 In. (2-Knife) (Incls. Items 28, 31, 38, & 39)	1
34	00-436423-00001	Plate – Julienne 3/16 In. (1-Knife) (Incls. Items 29, 32, 36, & 39)	1
35	00-437254	Plate – Julienne 3/16 In. (1-Knife) (Incls. Items 30, 32, 37, & 39)	1
36	00-294968	Knife – Julienne 3/16 In. (Use with Item 29)	1
37	00-294968-00003	Knife – Julienne 5/16 In. (Use with Item 30)	1
38	00-274317	Knife – Standard Cut Slicer (Use with Item 28 for 3/32 Julienne)	2
39	SC-120-82	Mach. Screw M5 x 0.8 x 0.6mm Slotted Flat Hd. (SST)	AR
40	00-436415	Frame (For 1/16 In., 1/8 In., 3/32 In. & Fine Grater Inserts)	1
41	00-436414	Frame (For 3/16 In., 5/16 In., 7/32 In., 3/8 In. Inserts)	1
42	00-435734	Insert – Shredder Plate 1/16 In.	1
43	00-274409	Insert – Shredder Plate 1/8 In.	1
44	00-274320	Insert – Shredder Plate 3/32 In.	1
45	00-274343	Insert – Shredder Plate 3/16 In.	1
46	00-435735	Insert – Shredder Plate 7/32 In.	1
47	00-274410	Insert – Shredder Plate 5/16 In.	1
48	00-875322	Insert – Shredder Plate 3/8 In.	1
49	00-914232	Insert – Extra Fine Grater Plate	1
50	00-436462	Insert – Fine Grater Plate	1
51	SD-037-39	Self-Tapping Screw 2.9mm x 13mm Slotted Flat Hd., Type AB (SST)	AR
52	SD-038-39	Self-Tapping Screw 3.5mm x 13mm Slotted Oval Hd., Type AB (SST)	AR
53	00-914225	Plate – Extra Fine Grater (Incls. Item 49)	1
54	00-436484	Plate – Fine Grater (Incls. Items 40, 50, & 52)	1
55	00-436407-00001	Plate – Shredder 1/16 In. (Incls. Items 40, 42, & 51)	1
56	00-436407-00002	Plate – Shredder 3/32 In. (Incls. Items 40, 44, & 51)	1
57	00-436407-00003	Plate – Shredder 1/8 In. (Incls. Items 41, 44, & 52)	1
58	00-436407-00004	Plate – Shredder 3/16 In. (Incls. Items 41, 45, 51, & 52)	1
59	00-436407-00005	Plate – Shredder 5/16 In. (Incls. Items 41, 46, 51, & 52)	1
60	00-436407-00006	Plate – Shredder 7/32 In. (Incls. Items 41, 47, 51, & 52)	1
61	00-436407-00007	Plate – Shredder 3/8 In. (Incls. Items 41, 48, 51, & 52)	1
	00-274372	Rack – Wall (Incls. Label)	1
	00-274329	Brush – Cleaning	1
	00-436421	Wrench – Locking Screw	1



PL-57706

PUSH FEED HANDLE UNIT

ILLUS.	PART NO.	NAME OF PART	AMT.
PL-57706			
1	00-274312	Plunger – Pestle	1
2	00-436463	Handle – Push (Feed) (Order With Item 3)	1
3	00-274313	Pin	2
4	00-274324	Seal – Rubber Washer	1
5	00-274325	Lock – Push Handle	1
6	00-437304	Activator & Clip	1