



CATALOG OF REPLACEMENT PARTS

MODEL FP350 FOOD PROCESSOR



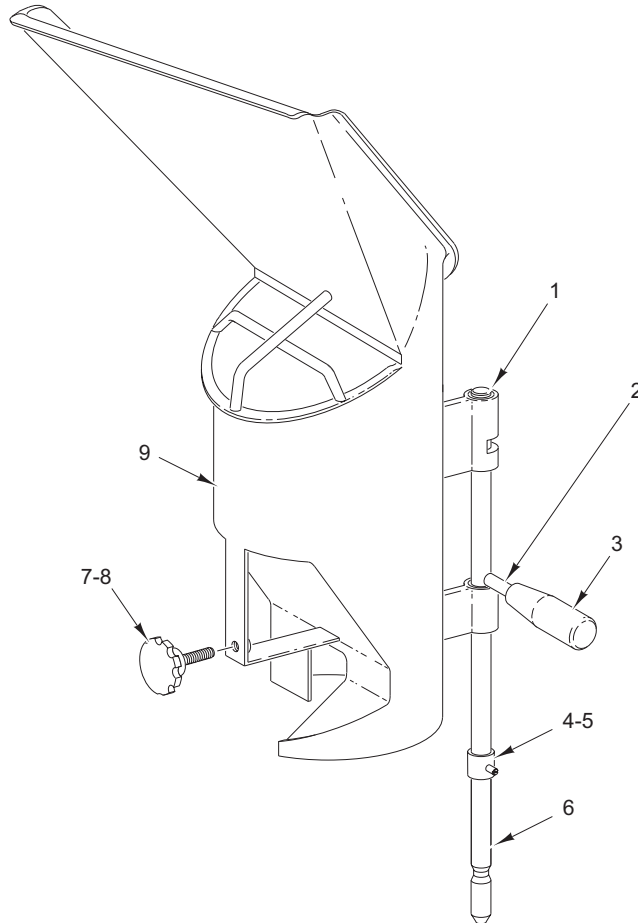
FP350 ML-136150
FP350C ML-134182

PRIOR MLS COVERED IN THIS MANUAL

FP350 ML-104586

Table of Contents

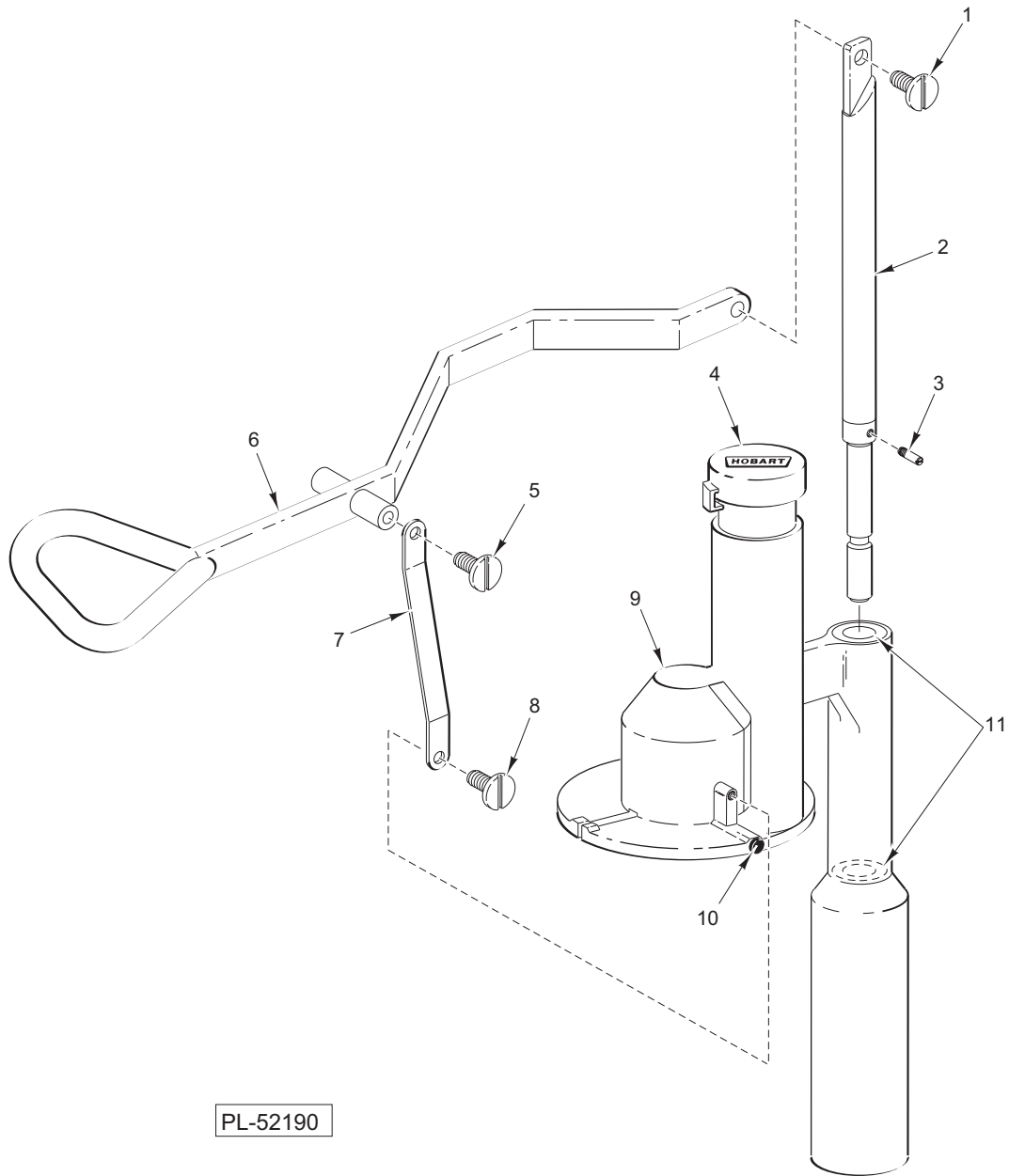
| | |
|----|--|
| 3 | FEED HOPPER |
| 5 | PUSH FEED HANDLE UNIT(ML-104586 & ML-134182) |
| 7 | PUSH FEED HANDLE UNIT (ML-136150) |
| 9 | HOUSING UNIT |
| 11 | MOTOR AND BASE UNIT |
| 13 | ACCESSORIES |
| 15 | ACCESSORIES |
| 16 | SHAFT BRACKET ASSEMBLY |



PL-52187

FEED HOPPER

| ILLUS. | PART NO. | NAME OF PART | AMT. |
|----------|-----------|---|------|
| PL-52187 | | | |
| 1 | 00-477260 | Bushing – Shaft | 2 |
| 2 | 00-477254 | Screw – Handle | 1 |
| 3 | 00-478883 | Knob – Handle | 1 |
| 4 | 00-274323 | Pin | 1 |
| 5 | 00-477261 | Stop – Shaft | 1 |
| 6 | 00-477257 | Shaft – Hopper | 1 |
| 7 | 00-477256 | Knob – Lobe | 1 |
| 8 | 00-477262 | Screw – Lobe Knob | 1 |
| 9 | 00-477258 | Feed Hopper (Incls. Items 1 thru 8) | 1 |

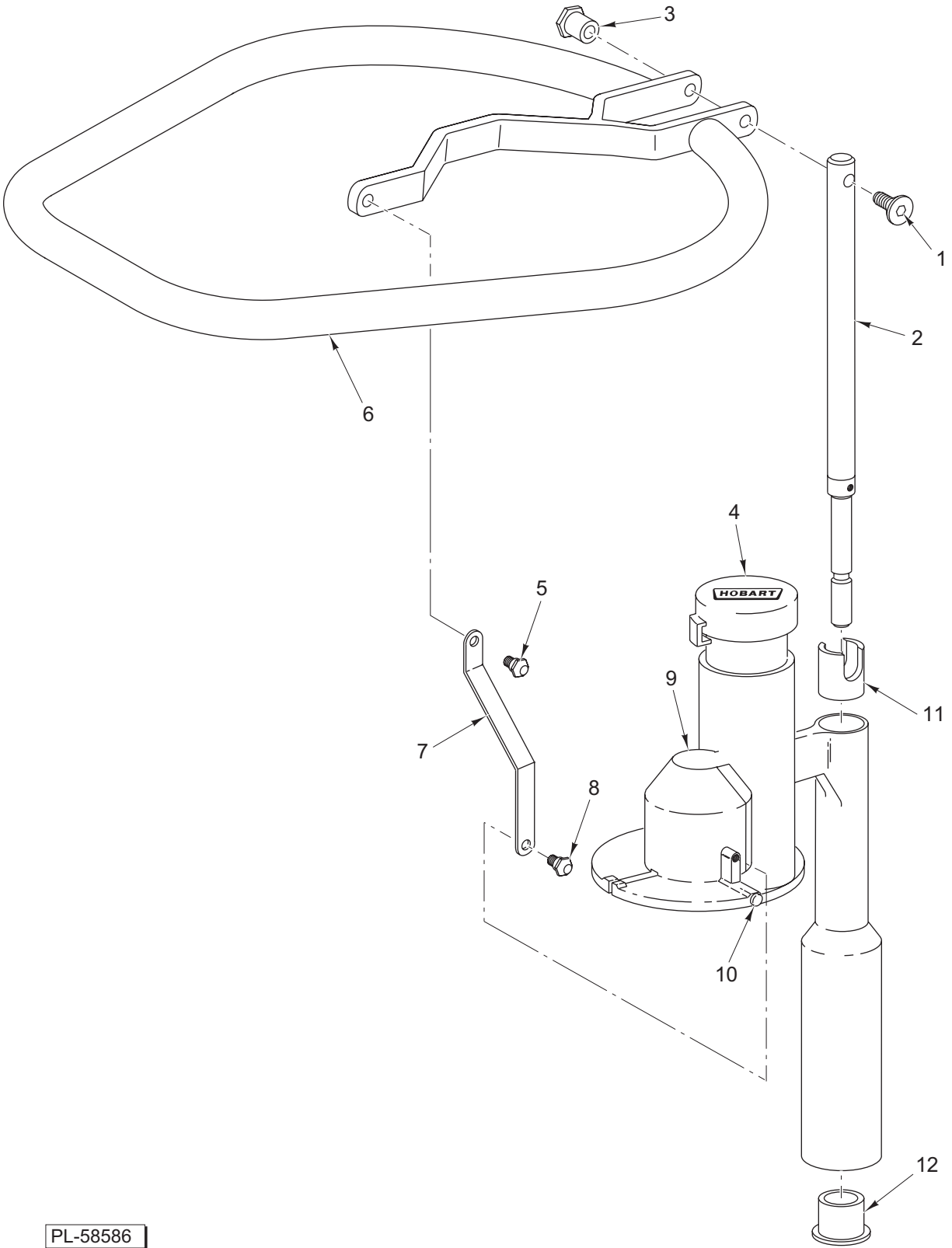


PL-52190

**PUSH FEED HANDLE UNIT
(ML-104586 & ML-134182)**

**PUSH FEED HANDLE UNIT
(ML-104586 & ML-134182)**

| ILLUS. | PART NO. | NAME OF PART | AMT. |
|----------|-----------|---------------------------------------|------|
| PL-52190 | | | |
| 1 | 00-439904 | Screw – Shaft | 1 |
| 2 | 00-439905 | Shaft – Pusher | 1 |
| 3 | 00-274323 | Pin | 1 |
| 4 | 00-439118 | Plunger | 1 |
| 5 | 00-439906 | Screw – Pusher Plate | 2 |
| 6 | 00-439910 | Handle – Pusher Plate | 1 |
| 7 | 00-439907 | Link – Pusher Plate | 2 |
| 8 | 00-439906 | Screw – Pusher Plate | 2 |
| 9 | 00-439909 | Plate – Pusher | 1 |
| 10 | 00-439908 | Rivet (Plastic) | 3 |
| 11 | 00-439911 | Bushing ^{20.4/25} x 15 | 2 |

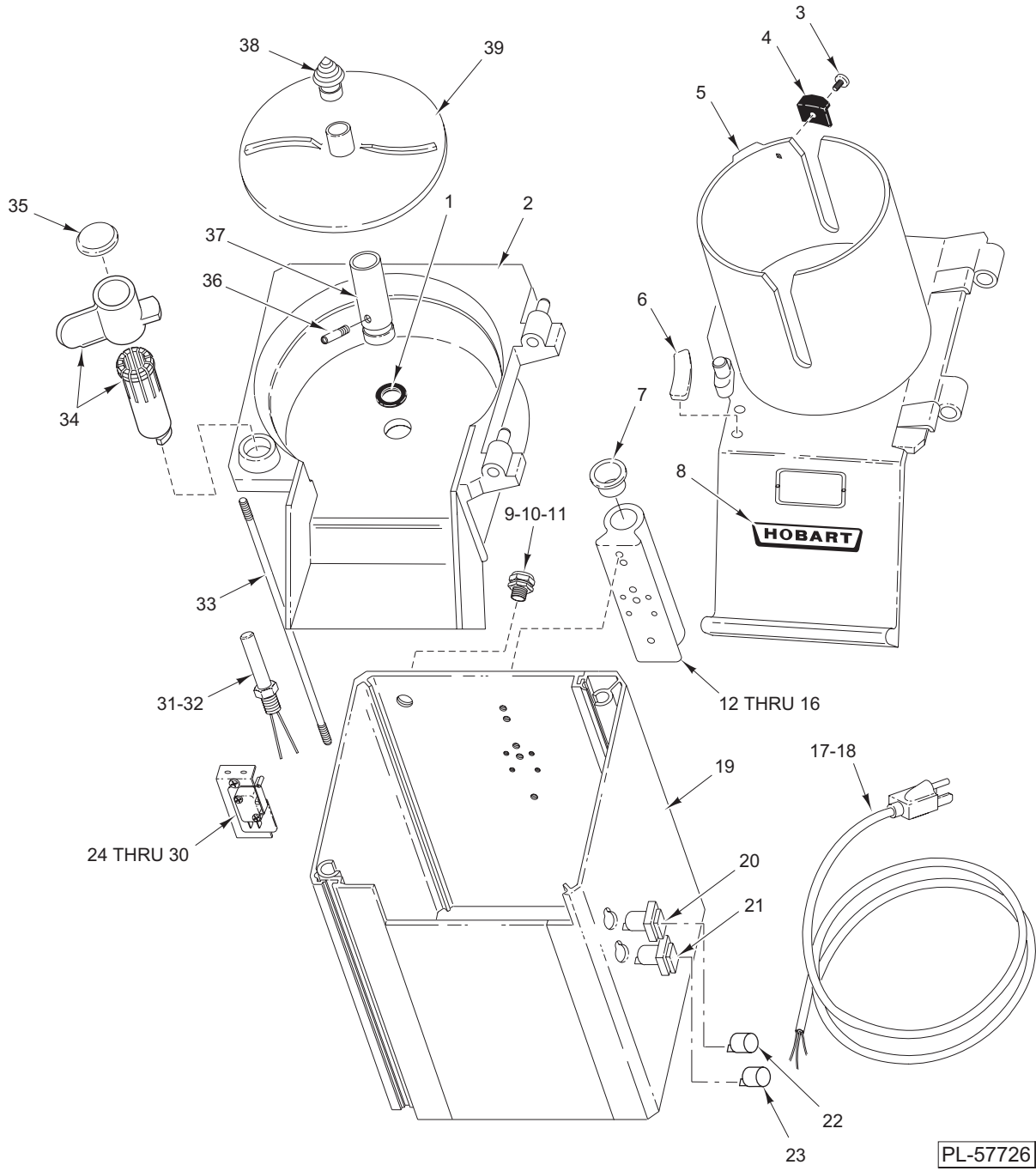


PL-58586

PUSH FEED HANDLE UNIT (ML-136150)

PUSH FEED HANDLE UNIT (ML-136150)

| ILLUS. | PART NO. | NAME OF PART | AMT. |
|----------|-----------|----------------------------|------|
| PL-58586 | | | |
| 1 | 00-914721 | Screw – Shaft | 1 |
| 2 | 00-914726 | Shaft – Pusher | 1 |
| 3 | 00-914729 | Nut (12.5)..... | 1 |
| 4 | 00-439118 | Plunger | 1 |
| 5 | 00-914725 | Screw – Pusher Plate | 2 |
| 6 | 00-914732 | Handle – Pusher Plate..... | 1 |
| 7 | 00-914730 | Link – Pusher Plate..... | 2 |
| 8 | 00-914725 | Screw – Pusher Plate | 2 |
| 9 | 00-914731 | Plate – Pusher | 1 |
| 10 | 00-914736 | Magnet..... | 3 |
| 11 | 00-914727 | Bushing..... | 1 |
| 12 | 00-914733 | Bushing..... | 1 |

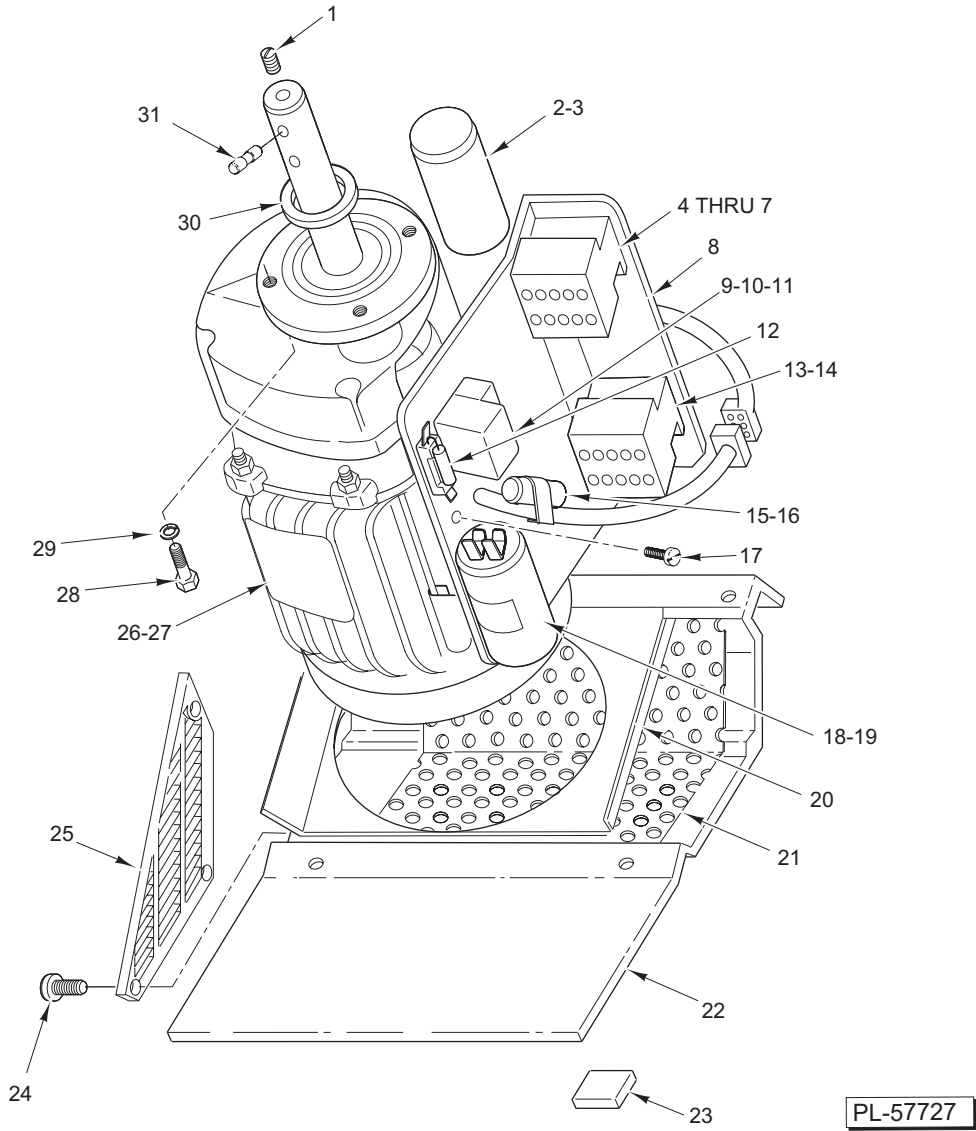


PL-57726

HOUSING UNIT

HOUSING UNIT

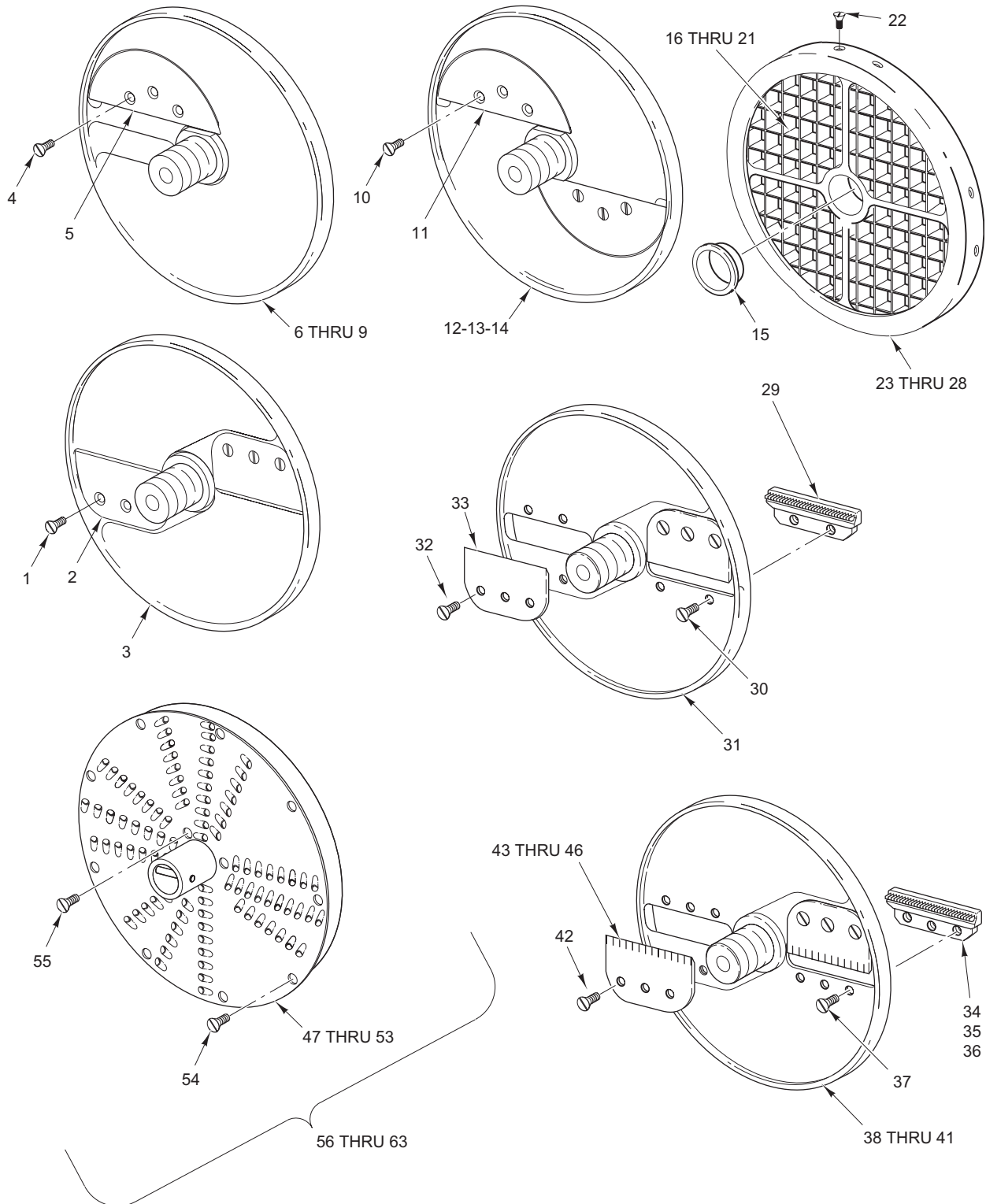
| ILLUS. PL-57726 | PART NO. | NAME OF PART | AMT. |
|--------------------|-----------------|--|------|
| 1 | 00-439129 | Seal – Washer | 1 |
| 2 | 00-439130 | Knife – Chamber | 1 |
| 3 | SC-123-02 | Mach. Screw M4 x 0.7 x 10mm Slotted Oval Hd. (SST) | 1 |
| 4 | 00-439903 | Support – Pusher | 1 |
| 5 | 00-439913 | Feed Head Assy. (Incls. Items 3, 4, 6, & 8) | 1 |
| 6 | 00-439119 | Plate – Friction | 1 |
| 7 | 00-439924 | Bushing ¹⁶ / ₂₀ x 15 | 2 |
| 8 | 00-117863-00001 | Logo – Hobart | 1 |
| 9 | 00-439168 | Flange – Reducing | 1 |
| 10 | FE-024-37 | Relief – Strain (Power Cord) (110 V.) | 1 |
| 11 | FE-025-35 | Relief – Strain (Power Cord) (220 V.) | 1 |
| 12 | 00-439914 | Bracket – Shaft (Incls. Item 7) | 1 |
| 13 | 00-439915 | Pin – Activator (Short) | 1 |
| 14 | 00-439918 | Pin – Activator (Long) | 1 |
| 15 | 00-439988 | Spring – Compression | 2 |
| 16 | 00-439990 | O-Ring (Activator Pins) | 2 |
| 17 | 00-274857 | Cord & Plug (110/120 V.) | 1 |
| 18 | 00-477265 | Cord & Plug (220/240 V.) | 1 |
| 19 | 00-439916 | Housing Assy. | 1 |
| 20 | 00-875522 | Button Assy. – Stop (120 V.) | 1 |
| 21 | 00-875523 | Button Assy. – Start (120 V.) | 1 |
| 22 | 00-477266 | Button Assy. – Stop (220/240 V.) | 1 |
| 23 | 00-477267 | Button Assy. – Start (220/240 V.) | 1 |
| 24 | 00-439937 | Bracket – Switch (Single) | 1 |
| 25 | 00-439938 | Bracket – Switch (Double) | 1 |
| 26 | 00-439302 | Plate – Insulating | 1 |
| 27 | SD-017-34 | Self-Tapping Screw 6-20 x ⁵ / ₈ Slotted Truss Hd., Type AB (SST) | AR |
| 28 | SC-122-37 | Mach. Screw M4 x 0.7 x 10mm Phil. Pan Hd. (SST) | 1 |
| 29 | NS-200-03 | Nut Hex M4 x 0.7 (SST) | 1 |
| 30 | 00-087711-201-1 | Switch – POS Action | AR |
| 31 | 00-439663 | Switch – Reed (110/120 V.) | 1 |
| 32 | 00-477264 | Switch – Reed PR15 (220/240 V.) | 1 |
| 33 | 00-439131 | Kit – Pull Rod | 1 |
| 34 | 00-479616 | Kit – Lock Handle | 1 |
| 35 | 00-439912 | Plug | 1 |
| 36 | 00-274323 | Pin | 1 |
| 37 | 00-439125 | Sleeve – Thrust | 1 |
| 38 | 00-439922 | Screw – Center | 1 |
| 39 | 00-439142 | Ejector | 1 |
| | 00-439923 | Wrench – Center Screw | 1 |
| | 00-290137-00017 | Plate – Blank | 1 |



MOTOR AND BASE UNIT

MOTOR AND BASE UNIT

| ILLUS. | PART NO. | NAME OF PART | AMT. |
|----------|-----------------|--|------|
| PL-57727 | | | |
| 1 | SC-121-48 | Set Screw M8 x 1.25 x 12mm Socket Hdls., Cup Pt. (SST) | 1 |
| 2 | 00-439140 | Capacitor – Run (80uF) (110/120 V.) | 1 |
| 3 | 00-477276 | Capacitor – Run (80uF) (220/240 V.) | 1 |
| 4 | 00-875529 | Protector – Overload LRD16 10-13 (110/120 V.) | 1 |
| 5 | 00-875526 | Contactactor (110/120 V.) | 1 |
| 6 | 00-914116 | Protector – Overload LRD16 10-13 (220/240 V.) | 1 |
| 7 | 00-914114 | Contactactor (220/240 V.) | 1 |
| 8 | 00-439139 | Panel & Hardware Control | 1 |
| 9 | 00-479591 | Kit – Start Relay | 1 |
| 10 | 00-087714-00061 | Relay (110/120 V.) | 1 |
| 11 | 00-477278 | Relay – Start (230 V.) | 1 |
| 12 | 00-439167 | Resistor Assy. (Service Only) (ML-104586 & ML-134182) | 2 |
| 13 | 00-914113 | Contactactor (110/120 V.) | 1 |
| 14 | 00-087713-00100 | Contactactor (110/120 V.) (FP350C) | 1 |
| 15 | 00-274344 | Circuit – RC (110 V.) | 1 |
| 16 | 00-274860 | Circuit – RC (220 V.) | 1 |
| 17 | SC-200-20 | Mach. Screw M5 x 0.8 x 6mm Slotted Cheese Hd. | 1 |
| 18 | 00-439137 | Capacitor – Start (20uF) (220/240 V.) | 1 |
| 19 | 00-477277 | Capacitor – Start (20uF) (220/240 V.) | 1 |
| 20 | 00-439136 | Plate – Fan | 1 |
| 21 | 00-439296 | Plate – Protector | 1 |
| 22 | 00-439921 | Base | 1 |
| 23 | 00-274353 | Foot – Rubber | 4 |
| 24 | SD-037-40 | Self-Tapping Screw 3.5 x 9.5mm Slotted Oval Hd., Type AB (SST) | 3 |
| 25 | 00-274351 | Louver – Left & Right | 1 |
| 26 | 00-914487 | Kit – Motor (120 V.) (Incls. Item 8, Fan, Shroud, & Gear) | 1 |
| 27 | 00-477273 | Motor (220/240 V.) | 1 |
| 28 | SC-120-48 | Cap Screw M6 x 1.0 x 18mm Hex Hd. (SST) | 4 |
| 29 | WL-006-17 | Lockwasher 1/4 Helical (SST) | 4 |
| 30 | 00-439133 | Ring – Seal | 1 |
| 31 | 00-439124 | Pin – Carrier | 1 |
| | 00-479592 | Connector – Motor (220/240 V.) (Included In Item 10) | 1 |
| | 00-333692 | Foot – Adjustable | 4 |
| | 00-477268 | Fuse T100 (220/240 V.) | 1 |
| | 00-477269 | Holder – Fuse | 1 |

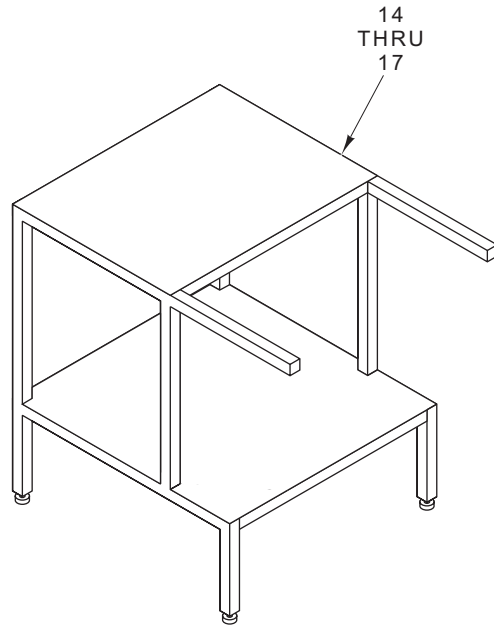
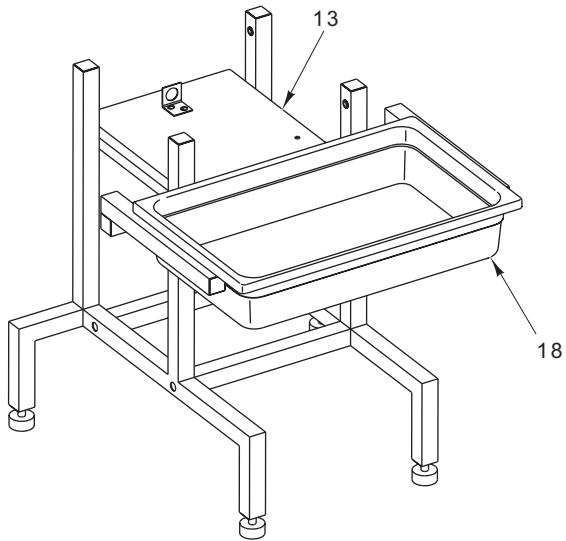
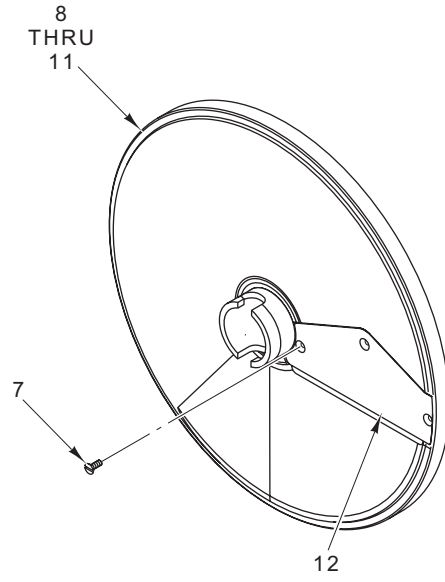
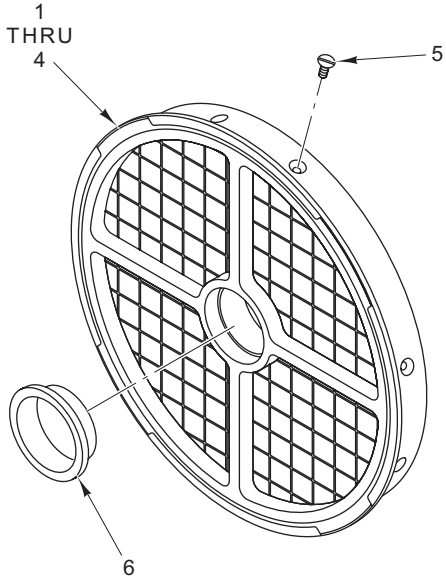


PL-57728

ACCESSORIES

ACCESSORIES

| ILLUS. | PART NO. | NAME OF PART | AMT. |
|--------|-----------|--|------|
| | PL-57728 | | |
| 1 | SC-120-82 | Mach. Screw M5 x 0.8 x 6mm Slotted Flat Hd. (SST) | 6 |
| 2 | 00-439157 | Knife – Standard Slicer | 2 |
| 3 | 00-439298 | Plate – Standard Slicer $\frac{3}{8}$ In. (Incls. Items 1 & 2) | 1 |
| 4 | SC-120-82 | Mach. Screw M5 x 0.8 x 6mm Slotted Flat Hd. (SST) | 3 |
| 5 | 00-439158 | Knife – Fine Slicer | 1 |
| 6 | 00-439170 | Plate – Fine Slicer $\frac{5}{32}$ In. (Incls. Items 4 & 5) | 1 |
| 7 | 00-439171 | Plate – Fine Slicer $\frac{7}{32}$ In. (Incls. Items 4 & 5) | 1 |
| 8 | 00-439172 | Plate – Fine Slicer $\frac{3}{8}$ In. (Incls. Items 4 & 5) | 1 |
| 9 | 00-439303 | Plate – Fine Slicer $\frac{9}{16}$ In. (Incls. Items 4 & 5) | 1 |
| 10 | SC-120-82 | Mach. Screw M5 x 0.8 x 6mm Slotted Flat Hd. (SST) | 6 |
| 11 | 00-439158 | Knife – Fine Slicer | 2 |
| 12 | 00-439164 | Plate – Fine Slicer $\frac{1}{16}$ In. (Incls. Items 10 & 11) | 1 |
| 13 | 00-439169 | Plate – Fine Slicer $\frac{1}{8}$ In. (Incls. Items 10 & 11) | 1 |
| 14 | 00-479533 | Plate – Fine Slicer $\frac{1}{32}$ In. (Incls. Items 10 & 11) | 1 |
| 15 | 00-875674 | Ring – Center | 1 |
| 16 | 00-477791 | Kit – Knife $\frac{9}{32}$ In. | 1 |
| 17 | 00-477792 | Kit – Knife $\frac{3}{8}$ In. | 1 |
| 18 | 00-477793 | Kit – Knife $\frac{1}{2}$ In. | 1 |
| 19 | 00-477794 | Kit – Knife $\frac{5}{8}$ In. | 1 |
| 20 | 00-477795 | Kit – Knife $\frac{3}{4}$ In. | 1 |
| 21 | 00-479555 | Kit – Knife 1 In. | 1 |
| 22 | SC-121-13 | Mach. Screw M4 x 0.7 x 8mm Slotted Flat Hd. (SST) | 8 |
| 23 | 00-477786 | Plate – Dicer $\frac{9}{32}$ In. | 1 |
| 24 | 00-477787 | Plate – Dicer $\frac{3}{8}$ In. | 1 |
| 25 | 00-477788 | Plate – Dicer $\frac{1}{2}$ In. | 1 |
| 26 | 00-477789 | Plate – Dicer $\frac{5}{8}$ In. | 1 |
| 27 | 00-477790 | Plate – Dicer $\frac{3}{4}$ In. | 1 |
| 28 | 00-478556 | Plate – Dicer 1 In. | 1 |
| 29 | 00-439175 | Knife – Balk $\frac{3}{32}$ In. | 2 |
| 30 | SC-120-83 | Mach. Screw M4 x 0.7 x 6mm Slotted Flat Hd. (SST) | 4 |
| 31 | 00-439174 | Plate – Julienne $\frac{3}{4}$ In. (Incls. Items 29, 30, 32, & 33) | 1 |
| 32 | SC-120-82 | Mach. Screw M5 x 0.8 x 6mm Slotted Flat Hd. (SST) | 6 |
| 33 | 00-439157 | Knife – Standard Slicer | 2 |
| 34 | 00-439177 | Knife – Balk $\frac{3}{16}$ In. | 2 |
| 35 | 00-439179 | Knife – Balk $\frac{7}{32}$ In. | 2 |
| 36 | 00-439162 | Knife – Balk $\frac{3}{8}$ In. | 2 |
| 37 | SC-121-13 | Mach. Screw M4 x 0.7 x 8mm Slotted Flat Hd. (SST) | 6 |
| 38 | 00-439173 | Plate – Crimping $\frac{3}{16}$ In. (Not Shown) (Incls. Items 42 & 43) | 1 |
| 39 | 00-439176 | Plate – Julienne $\frac{3}{16}$ In. (Incls. Items 34, 37, 42, & 44) | 1 |
| 40 | 00-439178 | Plate – Julienne $\frac{7}{32}$ In. (Incls. Items 35, 37, 42, & 45) | 1 |
| 41 | 00-439180 | Plate – Julienne $\frac{3}{8}$ In. (Incls. Items 36, 37, 42, & 46) | 1 |
| 42 | SC-120-82 | Mach. Screw M5 x 0.8 x 6mm Slotted Flat Hd. (SST) | 6 |
| 43 | 00-439159 | Knife – Crimping Slicer $\frac{3}{16}$ In. (Not Shown) | 2 |
| 44 | 00-439160 | Knife – Julienne $\frac{3}{16}$ In. | 2 |
| 45 | 00-439161 | Knife – Julienne $\frac{7}{32}$ In. | 2 |
| 46 | 00-439163 | Knife – Julienne $\frac{3}{8}$ In. | 2 |
| 47 | 00-439143 | Insert – Fine Grater | 1 |
| 48 | 00-439145 | Insert – Shredder Plate $\frac{1}{16}$ In. | 1 |
| 49 | 00-439146 | Insert – Shredder Plate $\frac{3}{32}$ In. | 1 |
| 50 | 00-439147 | Insert – Shredder Plate $\frac{1}{8}$ In. | 1 |
| 51 | 00-439148 | Insert – Shredder Plate $\frac{3}{16}$ In. | 1 |
| 52 | 00-439149 | Insert – Shredder Plate $\frac{7}{32}$ In. | 1 |
| 53 | 00-439150 | Insert – Shredder Plate $\frac{5}{16}$ In. | 1 |
| 54 | SC-120-85 | Mach. Screw M3 x 0.5 x 6mm Slotted Flat Hd. (SST) | 9 |
| 55 | SC-120-85 | Mach. Screw M3 x 0.5 x 6mm Slotted Flat Hd. (SST) | 3 |
| 56 | 00-439144 | Plate – Fine Grater (Incls. Items 47, 51, & 52) | 1 |
| 57 | 00-439151 | Plate – Shredder $\frac{1}{16}$ In. (Incls. Items 48, 54, & 55) | 1 |
| 58 | 00-439152 | Plate – Shredder $\frac{3}{32}$ In. (Incls. Items 49, 54, & 55) | 1 |
| 59 | 00-439153 | Plate – Shredder $\frac{1}{8}$ In. (Incls. Items 50, 54, & 55) | 1 |
| 60 | 00-439154 | Plate – Shredder $\frac{3}{16}$ In. (Incls. Items 51, 54, & 55) | 1 |
| 61 | 00-439155 | Plate – Shredder $\frac{7}{32}$ In. (Incls. Items 52, 54, & 55) | 1 |
| 62 | 00-439156 | Plate – Shredder $\frac{5}{16}$ In. (Incls. Items 53, 54, & 55) | 1 |
| 63 | 00-479534 | Plate – Shredder $\frac{3}{8}$ In. | 1 |
| | 00-439297 | Plate – French Fry $\frac{3}{8}$ In. (Not Shown) | 1 |
| | 00-274372 | Wall Rack (Incls. Label) | 1 |

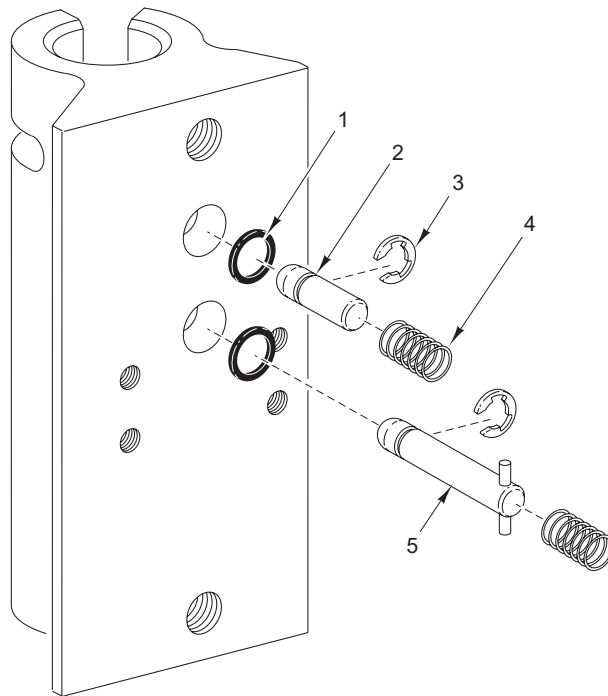


PL-58587

ACCESSORIES

ACCESSORIES

| ILLUS. | PART NO. | NAME OF PART | AMT. |
|----------|-----------|---|------|
| PL-58587 | | | |
| 1 | 00-914709 | Grid – Soft Dice $\frac{3}{8}$ In. (Set) | 1 |
| 2 | 00-914706 | Grid – Soft Dice $\frac{5}{16}$ In. (Set) | 1 |
| 3 | 00-914712 | Grid – Soft Dice $\frac{5}{8}$ In. (Set) | 1 |
| 4 | 00-914715 | Grid – Soft Dice $\frac{1}{2}$ In. (Set) | 1 |
| 5 | SC-121-13 | Mach. Screw M4 x 0.7 x 8mm Slotted Flat Hd. (SST) | 8 |
| 6 | 00-875674 | Ring – Center..... | 1 |
| 7 | 00-914792 | Screw M3 x 5mm (SST)..... | 3 |
| 8 | 00-914707 | Plate – Soft Dicing $\frac{5}{16}$ In..... | 1 |
| 9 | 00-914708 | Plate – Soft Dicing $\frac{3}{8}$ In. | 1 |
| 10 | 00-914713 | Plate – Soft Dicing $\frac{5}{8}$ In. | 1 |
| 11 | 00-914719 | Plate – Soft Dicing $\frac{1}{2}$ In. | 1 |
| 12 | 00-914791 | Knife – Soft Dicing | 1 |
| 13 | 00-914717 | Table – Work..... | 1 |
| 14 | 00-435091 | Work Table (Incls. Items 15, 16, & 17)..... | 1 |
| 15 | 00-333692 | Foot – Adjustable | 4 |
| 16 | 00-333691 | Insert – Leveler | 4 |
| 17 | NS-017-16 | Jam Nut $\frac{3}{8}$ -16 Hex..... | 4 |
| 18 | 00-914790 | Container – Plastic (Pan)..... | 1 |



PL-52188

SHAFT BRACKET ASSEMBLY

| ILLUS. | PART NO. | NAME OF PART | AMT. |
|----------|-----------|------------------------------|------|
| PL-52188 | | | |
| 1 | 00-439990 | O-Ring (Activator Pins)..... | 2 |
| 2 | 00-439915 | Pin – Activator (Short)..... | 1 |
| 3 | RR-011-99 | Retaining Ring | 2 |
| 4 | 00-439988 | Spring – Compression | 2 |
| 5 | 00-439918 | Pin – Activator (Long) | 1 |