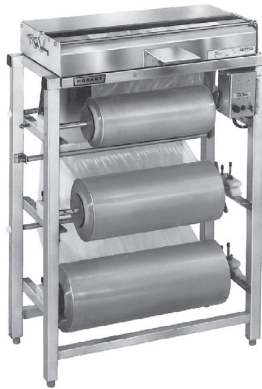




CATALOG OF

REPLACEMENT PARTS



W32/W32C/625A WRAP STATION

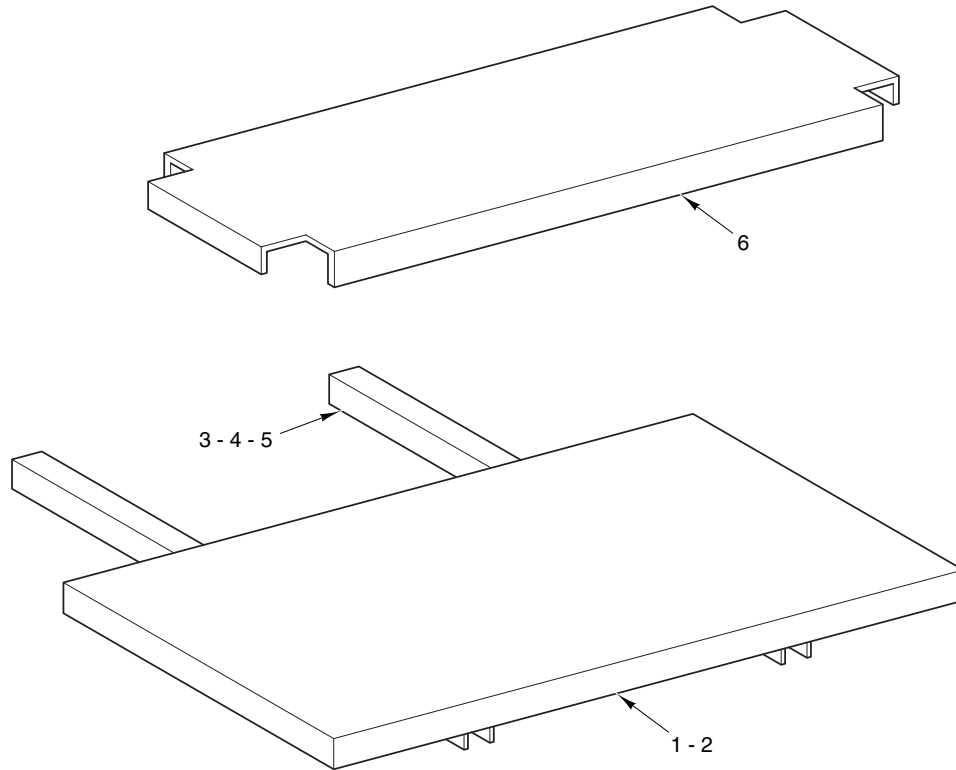
W32
W32C
625A
HP

ML-44103, ML-26320
ML-44105, ML-26331
ML-44069
ML-26243



Table of Contents

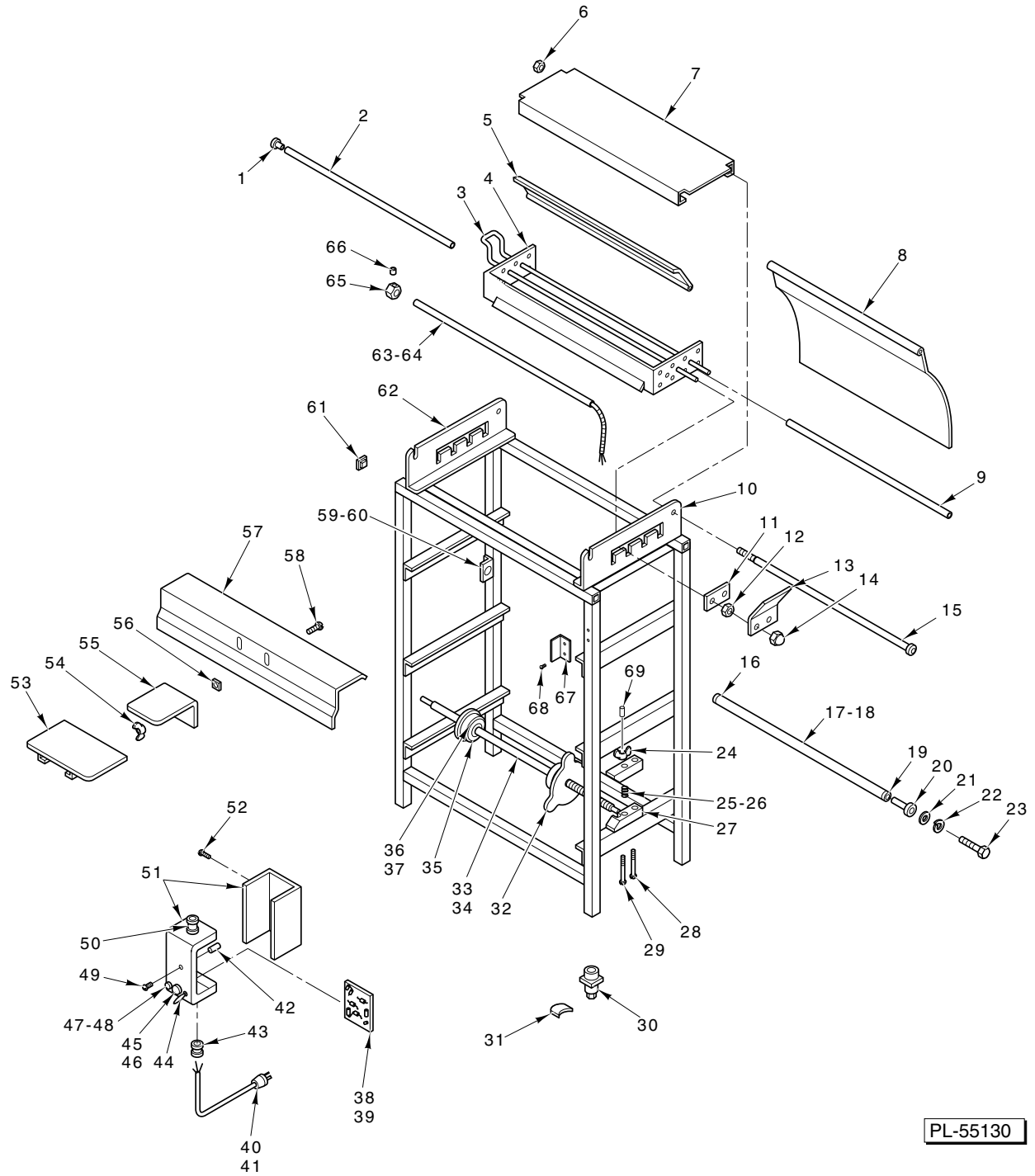
Page	Description
3	Shelf And Bridge
5	W32 Wrap Station
7	Hot Plate And Handle Unit
9	Hot Plate Base And Electrical
11	W32C Wrap Station
13	W32C Hot Plate Unit
15	W32C Control Box Unit
17	625A Wrap Station
18	625A Hot Plate Unit
19	625A Control Box Unit
20	Miscellaneous



PL-55129

SHELF AND BRIDGE

ILLUS.	PART NO.	NAME OF PART	AMT.
PL-55129			
1	00-133297	Shelf (Incls. Items 3, 4, & 5) (W32)	1
2	00-134570	Shelf (Incls. Items 3, 4, & 5) (W32C)	1
3	00-133282	Support	2
4	SC-118-20	Cap Screw 1/4-20 x 1/2 Hex Hd.	4
5	NS-013-02	Nut 1/4-20 Hex	4
6	00-130578	Bridge – Center (W32)	1

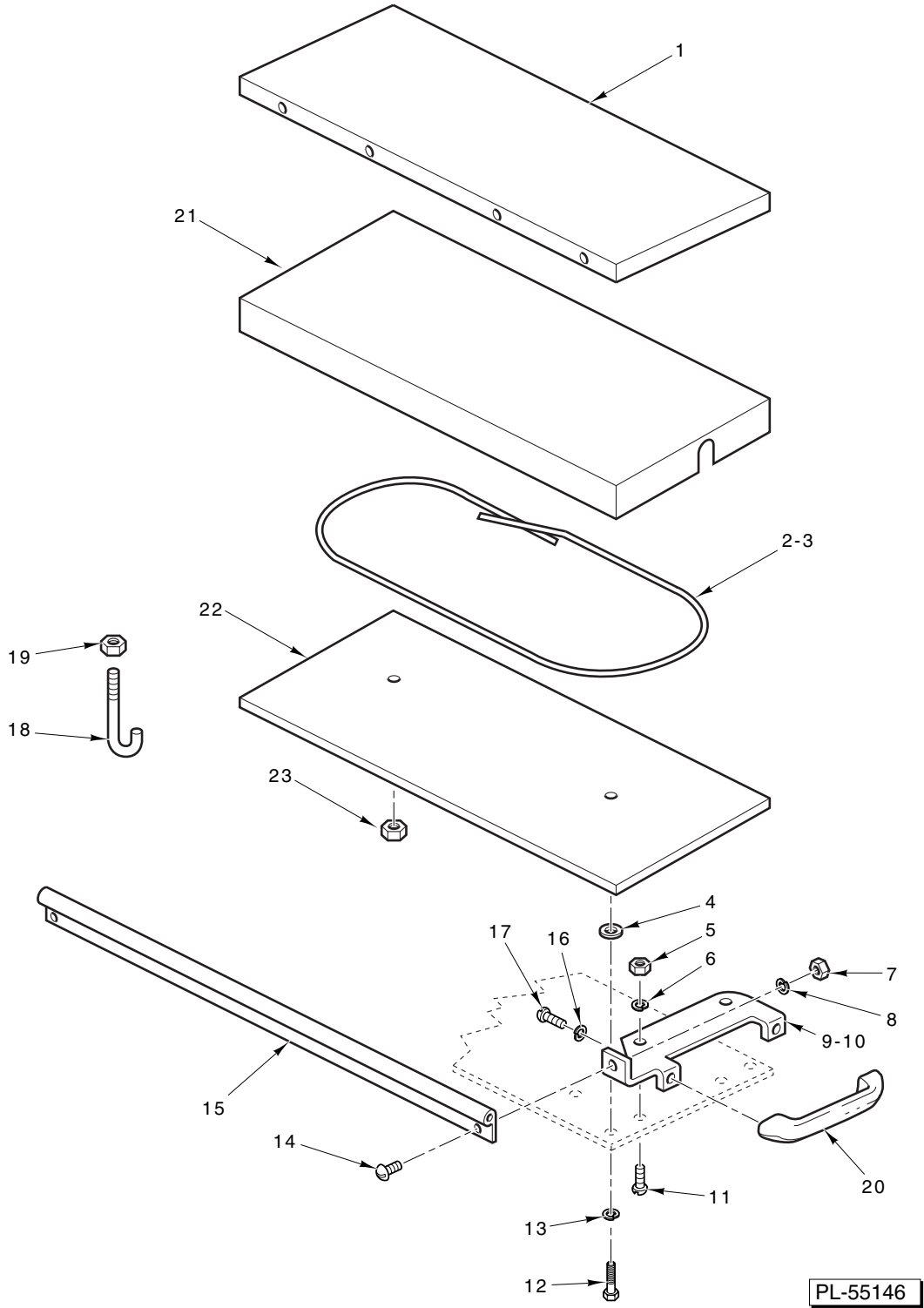


PL-55130

W32 WRAP STATION

W32 WRAP STATION

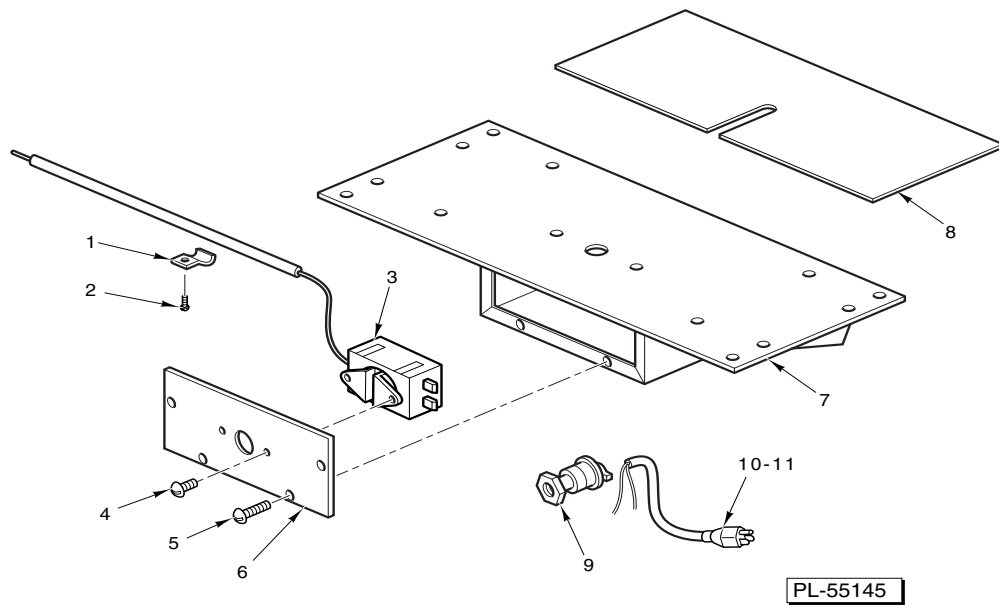
ILLUS. PL-55130	PART NO.	NAME OF PART	AMT.
1	00-130445-00017	Bushing – Roller.....	10
2	00-130445-00020	Roller $\frac{3}{8}$ x 21 $\frac{1}{2}$	5
3	00-130445-00012	Selector – Hairpin.....	1
4	00-130445-00015	Frame – Selector.....	1
5	00-130445-00016	Retainer – Film.....	3
6	NS-024-19	Acorn Nut $\frac{1}{4}$ -20.....	1
7	00-130445-00018	Plate – Top.....	1
8	00-130445-00042	Separator – Film.....	2
9	00-130445-00021	Rod – Hinge (Selector).....	3
10	00-132654-00015	Plate – Side (RH).....	1
11	00-132654-00018	Strip – Hairpin Guard.....	1
12	NS-013-02	Nut $\frac{1}{4}$ -20 Hex.....	2
13	00-130445-00024	Handle – Selector.....	1
14	NS-024-19	Acorn Nut $\frac{1}{4}$ -20.....	2
15	00-130445-00019	Rod – Hinge (Bridge).....	1
16	00-130445-00026	Bushing – Guide Roller (Bronze).....	4
17	00-132654-00019	Roller – Film Guide (21 $\frac{1}{2}$ " Long).....	4
18	00-132654-00020	Roller – Film Guide (21 $\frac{1}{4}$ " Long).....	4
19	00-130445-00028	Bushing – Guide Roller.....	4
20	00-132654-00016	Shaft – Stub Nut.....	8
21	WS-017-25	Washer.....	8
22	WL-003-38	Lockwasher $\frac{1}{4}$ Medium.....	8
23	SC-062-69	Cap Screw $\frac{1}{4}$ -20 x 1 $\frac{3}{4}$ Hex Hd.....	8
24	NS-028-11	Wing Nut $\frac{1}{4}$ -20 Type A.....	12
25	00-130445-00033	Spring – Bearing Block.....	6
26	00-132654-00021	Ground Strap (Brass).....	3
27	00-334247	Block – Bearing (Incls. Upper & Lower Blocks for LH & RH).....	3
28	SC-081-78	Mach. Screw $\frac{1}{4}$ -20 x 2 $\frac{1}{2}$ Rd. Hd.....	6
29	SC-081-26	Mach. Screw $\frac{1}{4}$ -20 x 3 $\frac{1}{2}$ Rd. Hd.....	6
30	00-333167	Foot – Adjustable.....	4
31	00-333117	Anchor – Floor.....	4
32	00-130445-00041	Cap – Adjustable End 3".....	3
33	00-130445-00040	Axle – Film Mounting (22" Long).....	3
34	00-046604	Axle – Film Mounting (24" Long).....	3
35	00-130445-00038	Cap – Fixed End 3" (Incls. Items 36 & 37).....	3
36	00-130445-00039	Pin.....	3
37	00-030929	O-Ring.....	3
38	00-132654-00006	Circuit Board (115 V.).....	1
39	00-132654-00013	Circuit Board (220 V.).....	1
40	00-130445-00001	Cord & Plug (115 V.).....	1
41	00-130445-00048	Cord & Plug (220 V.).....	1
42	00-334626	Spacer – Standoff.....	4
43	FE-016-31	Bushing – Cord.....	1
44	00-130445-00004	Switch.....	1
45	00-132654-00004	Light – Pilot (115 V.).....	1
46	00-130445-00050	Light – Pilot (220 V.).....	1
47	FE-016-40	Fuse – 1 Amp.....	1
48	00-030991	Holder – Fuse.....	1
49	SD-037-24	Self-Tapping Screw 6-32 x $\frac{1}{4}$ Phil. Pan Hd., Type T.....	8
50	00-132654-00010	Fitting – Electrical.....	1
51	00-132654-00001	Control Box Assy.....	1
52	SD-017-39	Self-Tapping Screw 8-18 x $\frac{1}{2}$ Slotted Rd. Hd., Type AB.....	4
53	00-127820-00051	Rest – Extended Package.....	1
54	00-127820-00054	Wing Nut 10-24.....	2
55	00-127820-00050	Rest – Package.....	1
56	00-130445-00061	Speed Nut 10-24.....	2
57	00-130445-00043	Plate – Front.....	1
58	SC-009-25	Mach. Screw 10-24 x $\frac{5}{8}$ Rd. Hd.....	2
59	00-132654-00017	Bracket.....	2
60	SD-027-14	Self-Tapping Screw 8-16 x $\frac{1}{2}$ Pan Hd., Plastite.....	4
61	00-130445-00054	Plug – End.....	4
62	00-132654-00005	Plate – Side (LH).....	1
63	00-134429	Round Rod – Hot (115 V.).....	1
64	00-134431	Round Rod – Hot (220 V.).....	1
65	00-134430	Collar.....	1
66	SC-047-74	Set Screw 8-32 x $\frac{1}{4}$ Hex Cup Pt.....	1
67	00-044652	Shield – Electrical Box.....	1
68	SD-027-14	Self-Tapping Screw 8-16 x $\frac{1}{2}$ Pan Hd., Plastite.....	2
69	00-441680-00001	Cap – Rubber.....	12
	00-134309	Kit – Round Hot Rod (Incls. Items 63, 65, & 66).....	1
	00-131590	Kit – Round Hot Rod Conversion (Incls. Items 38, 40, 42, 45, 47-52, 63, 65, & 66) ..	1



HOT PLATE AND HANDLE UNIT

HOT PLATE AND HANDLE UNIT

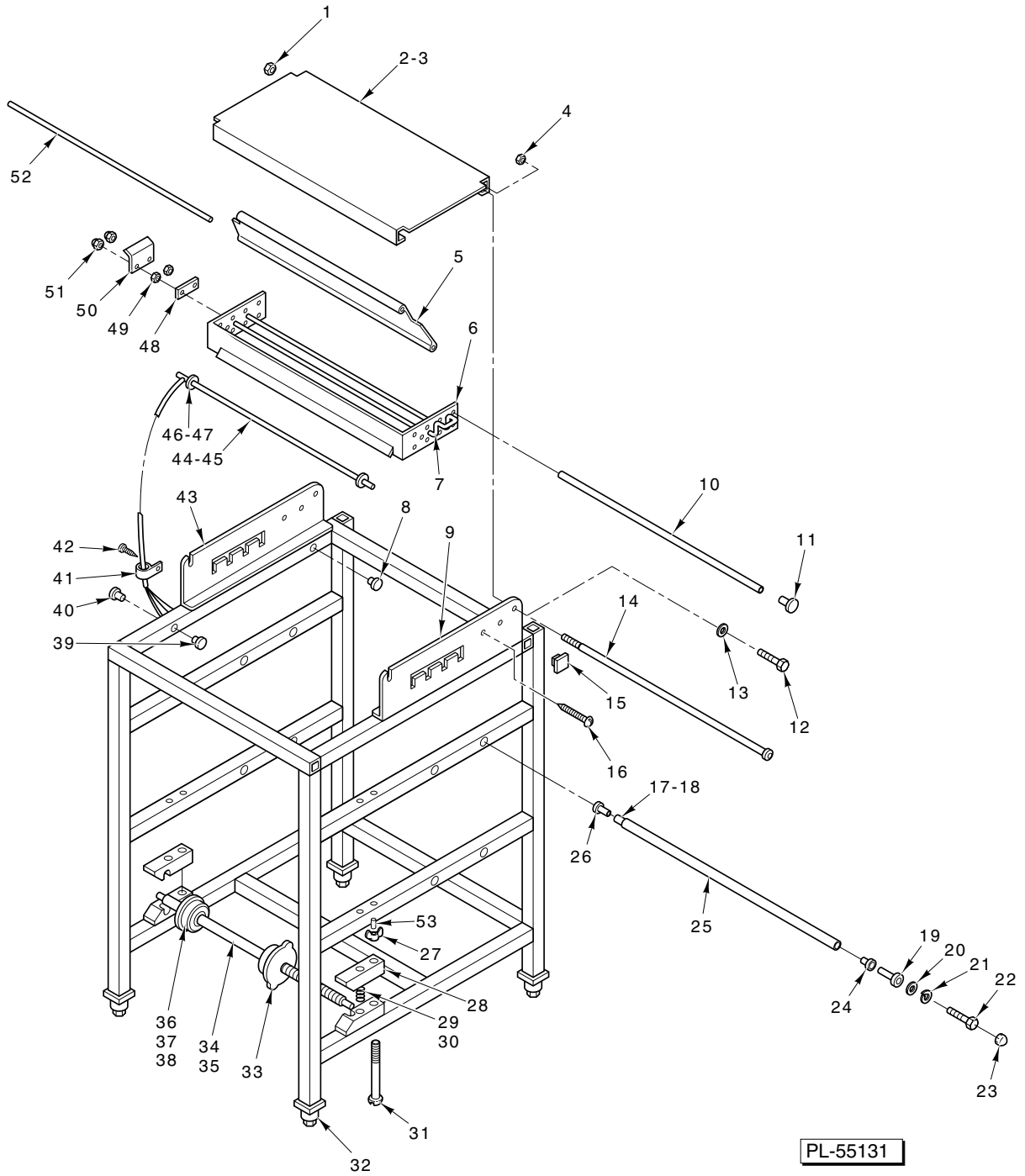
ILLUS. PL-55146	PART NO.	NAME OF PART	AMT.
1	00-130585-00001	Cover – Teflon (6" x 15")	1
2	00-334294	Element – Hot Plate (115 V.)	1
3	00-334293	Element – Hot Plate (220 V.)	1
4	00-334416	Washer – Insulating	4
5	NS-025-01	Mach. Nut 10-24 Hex	4
6	WL-004-40	Lockwasher #10 Medium	4
7	NS-025-01	Mach. Nut 10-24 Hex	2
8	WL-004-40	Lockwasher #10 Medium	2
9	00-130585-00004	Bracket – Handle (RH)	1
10	00-130585-00028	Bracket – Handle (LH)	1
11	SC-008-09	Mach. Screw 10-24 x 3/8 Rd. Hd.	4
12	SC-110-12	Cap Screw 1/4-20 x 5/8 Hex Hd.	4
13	WL-004-40	Lockwasher #10 Medium	4
14	SC-008-09	Mach. Screw 10-24 x 3/8 Rd. Hd.	2
15	00-130585-00006	Guard – Hot Plate	1
16	WL-004-40	Lockwasher #10 Medium	4
17	SC-009-25	Mach. Screw 10-24 x 5/8 Rd. Hd.	4
18	00-130629	Hook – Retaining	1
19	NS-013-02	Nut 1/4-20 Hex	1
20	00-130585-00005	Handle	2
21	00-334296	Hot Plate Casting (6" x 15")	1
22	00-046495	Element Mounting Plate	1
23	NS-013-02	Nut 1/4 x 20 Hex	2



HOT PLATE BASE AND ELECTRICAL

HOT PLATE BASE AND ELECTRICAL

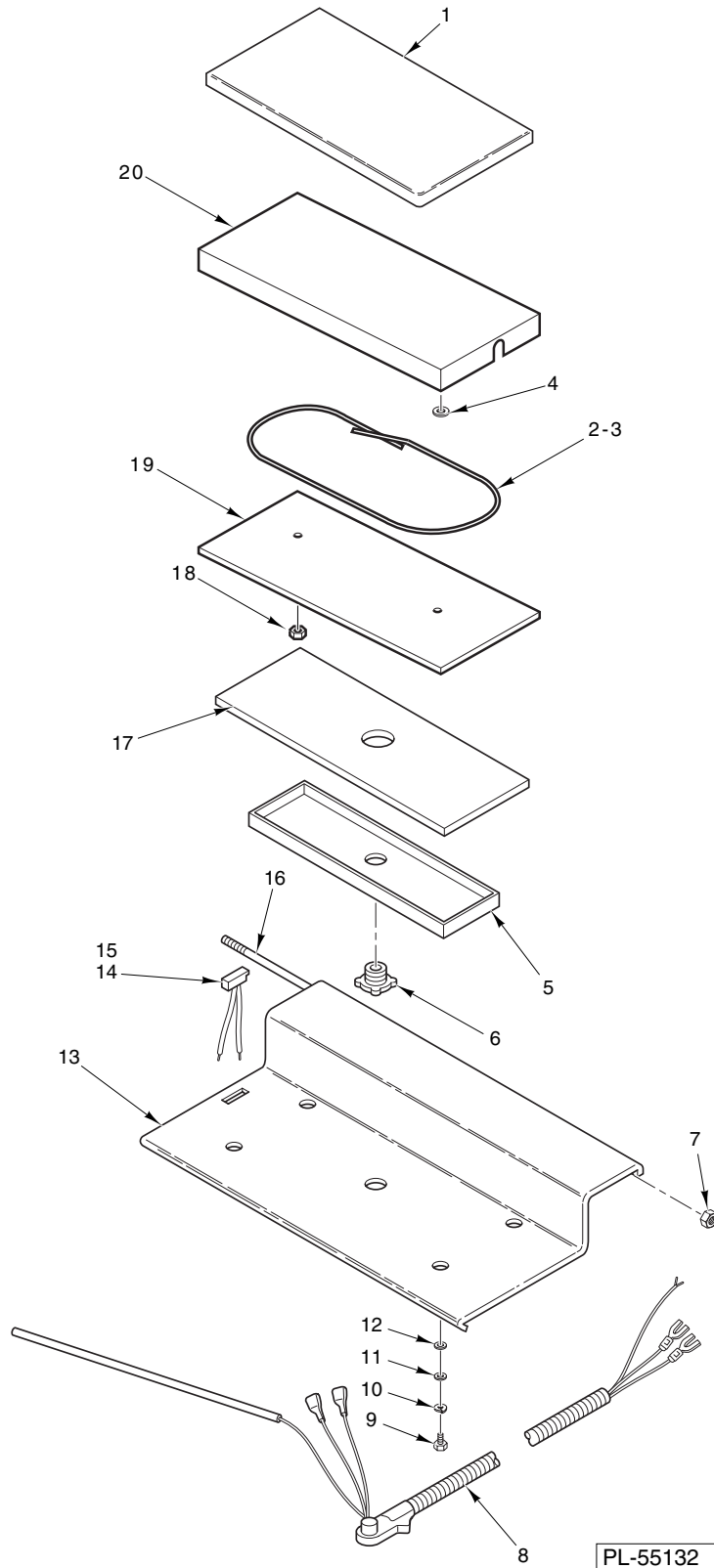
ILLUS.	PART NO.	NAME OF PART	AMT.
PL-55145			
1	00-130585-00014	Clamp – Thermostat Bulb	3
2	SD-032-25	Self-Tapping Screw 6-32 x 1/4 Pan Hd., Type 1	3
3	00-044352	Thermostat Assy. (Incls. Knob)	1
4	00-130585-00020	Mach. Screw 6-32 x 3/8 Rd. Hd.	2
5	00-130585-00021	Self-Tapping Screw 8-18 x 1/2 Pan Hd., Special	4
6	00-130585-00012	Cover – Control Box	1
7	00-441746	Base Plate Assy. (Incls. Item 6)	1
8	00-441747	Board – Insulation	1
9	00-130585-00010	Connector – Cord Grip	1
10	00-130585-00009	Power Cord (115 V.)	1
11	00-130585-00025	Power Cord (W/Cap, 220 V.)	1
	00-130585-00023	Wire Assy. (Thermostat to Hot Plate)	1
	00-130585-00024	Wire Assy. (Power Cord to Hot Plate)	1



W32C WRAP STATION

W32C WRAP STATION

ILLUS. PL-55131	PART NO.	NAME OF PART	AMT.
1	00-133320-00020	Nut 1/4-20 Hex Head (Nylon)	1
2	00-133320-00019	Bridge – Wrapping (Used with Items 1 & 14)	1
3	00-441680-00003	Bridge – Wrapping (Used with Items 4, 12, & 13)	1
4	NS-037-21	Lock Nut 1/4-20 Hex	2
5	00-130445-00016	Retainer – Film	3
6	00-130445-00015	Frame – Selector	1
7	00-130445-00012	Selector – Hairpin	1
8	00-133320-00022	Bushing	1
9	00-133320-00023	Plate – Side (RH)	1
10	00-130445-00020	Roller – Film Guide	5
11	00-130445-00017	Bushing – Film Guide	10
12	SC-041-05	Cap Screw 1/4-20 x 5/8 Hex Hd.	2
13	WS-022-21	Washer 1/4	2
14	00-130445-00019	Rod – Threaded	1
15	00-130445-00054	Plug – End	6
16	SD-007-39	Self-Tapping Screw 8 x 1/2 Type B	4
17	00-441679	Shaft – Film Roller Guide (5/16" x 23")	3
18	00-441693	Shaft – Film Roller Guide (5/16" x 25 1/4")	3
19	00-132654-00016	Shaft – Stub Nut	6
20	WS-017-25	Washer	6
21	WL-003-38	Lockwasher 1/4	6
22	SC-062-69	Cap Screw 1/4-20 x 1 3/4 Hex Hd.	6
23	00-133320-00012	Push Nut 5/16	6
24	00-130445-00026	Bearing – Guide Roll (Bronze)	3
25	00-133320-00011	Roller – Film Guide	3
26	00-130445-00028	Bushing – Guide Roller	3
27	NS-028-11	Wing Nut 1/4-20	12
28	00-334247	Block – Bearing (Incls. Upper & Lower Blocks for LH & RH)	3
29	00-130445-00033	Spring – Bearing Block	6
30	00-132654-00021	Ground Strap (Brass)	3
31	SC-081-26	Mach. Screw 1/4-20 x 3-1/2 Rd. Hd.	12
32	00-333167	Foot – Adjustable	4
33	00-130445-00041	Cap – Adjustable End 3"	3
34	00-130445-00040	Axle – Film Mounting (22" Long)	3
35	00-046604	Axle – Film Mounting (24" Long)	3
36	00-130445-00038	Cap – Fixed End 3" (Incls. Items 37 & 38)	3
37	00-130445-00039	Pin	3
38	00-030929	O-Ring	3
39	00-133320-00024	Plug – Hole	1
40	00-133320-00022	Bushing	1
41	00-133320-00027	Clamp – Cable 1/4"	1
42	SD-017-39	Self-Tapping Screw 8 x 1/2 Rd. Hd., Type AB	1
43	00-133320-00021	Plate – Side (LH)	1
44	00-134429	Round Rod – Hot (115 V.)	1
45	00-134431	Round Rod – Hot (220 V.)	1
46	00-134430	Collar – Hot Rod (Incls. Item 47)	2
47	SC-047-74	Set Screw 8-32 x 1/4 Hex Cup Pt.	2
48	00-133320-00026	Plate – Handle	1
49	NS-013-02	Nut 1/4-20 Hex	2
50	00-130445-00024	Handle – Selector	1
51	00-133320-00025	Stop Nut 1/4-20 Hex	2
52	00-130445-00021	Rod – Hinge	3
53	00-441680-00001	Cap – Rubber	12
	00-134309	Round Hot Rod Kit (Incls. Items 44, 46 & 47)	1

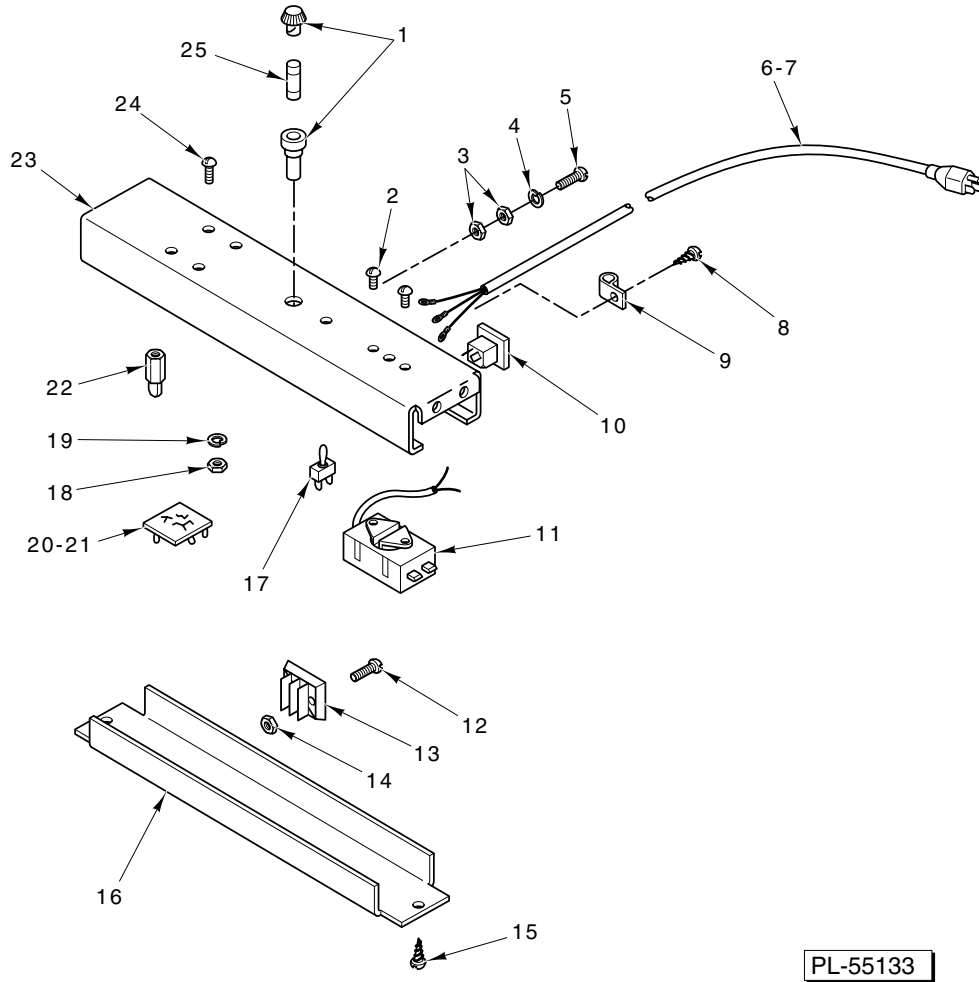


PL-55132

W32C HOT PLATE UNIT

W32C HOT PLATE UNIT

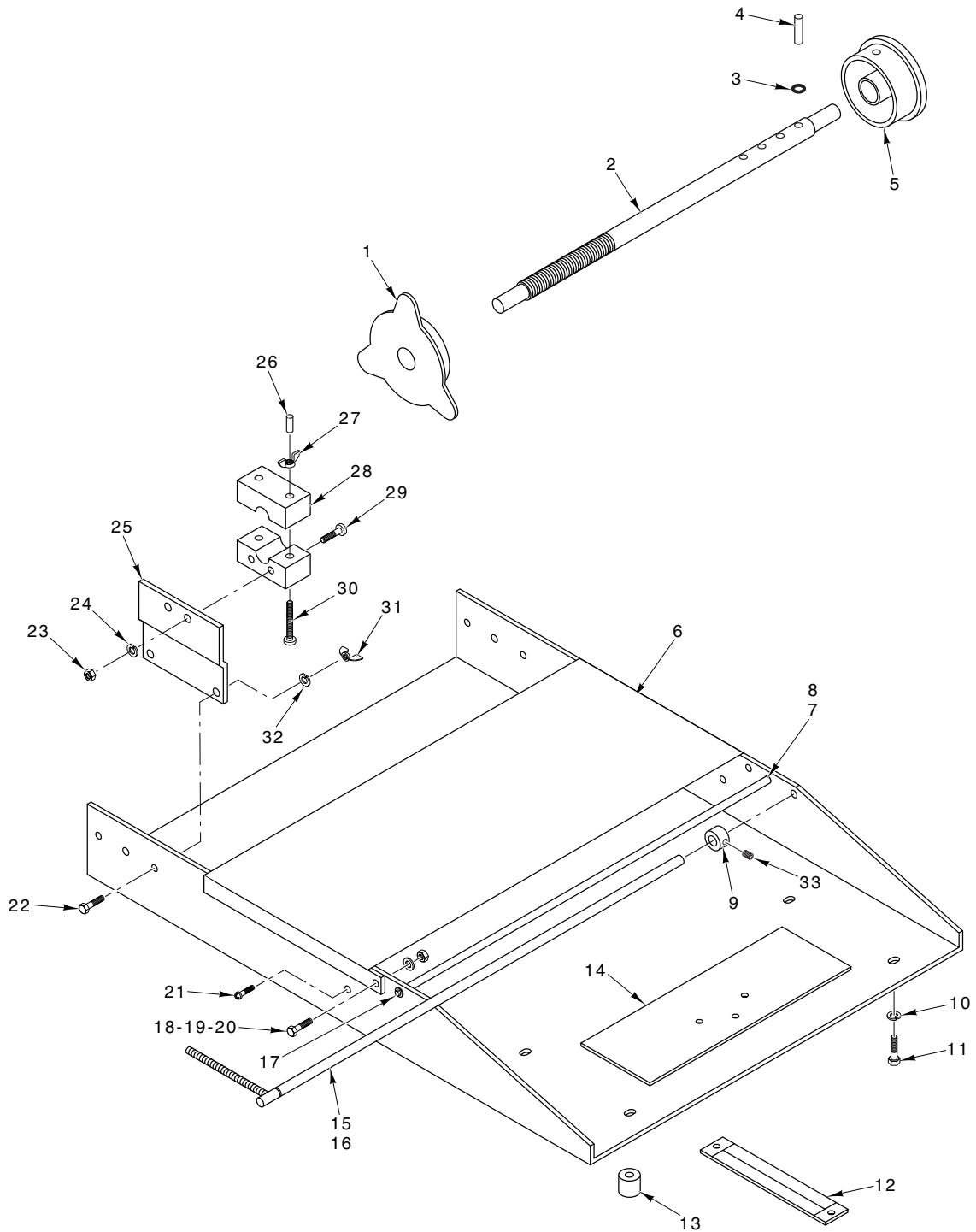
ILLUS.	PART NO.	NAME OF PART	AMT.
PL-55132			
1	00-133320-00001	Cover – Teflon (8" x 15")	1
2	00-334294	Element – Hot Plate (8" x 15") (115 V.)	1
3	00-334293	Element – Hot Plate (8" x 15") (240 V.)	1
4	00-334416	Washer – Insulating .250 x .500 x .098	8
5	00-133320-00003	Enclosure – Hot Plate	1
6	00-133320-00004	Lock Nut – Conduit	1
7	NS-013-02	Nut 1/4-20 Hex	1
8	00-133320-00007	Cable Assy.	1
9	SC-110-12	Cap Screw 1/4-20 x 5/8 Hex Hd.	4
10	WL-003-38	Lockwasher 1/4 Medium	4
11	WS-029-05	Washer	4
12	00-332949	Washer – Insulating .187 x .750 x .093	4
13	00-133320-00006	Plate – Front	1
14	00-133320-00005	Pilot Light (115 V.)	1
15	00-130445-00050	Pilot Light (220 V.)	1
16	00-130445-00019	Rod – Threaded	1
17	00-441680-00004	Insulation Board – Hot Plate	1
18	NS-013-02	Nut 1/4-20 Hex	2
19	00-046495	Element Mounting Plate	1
20	00-334297	Hot Plate Casting (8" x 15")	1



W32C CONTROL BOX UNIT

W32C CONTROL BOX UNIT

ILLUS.	PART NO.	NAME OF PART	AMT.
PL-55133			
1	00-030991	Holder – Fuse	1
2	SC-009-70	Mach. Screw 6-32 x 1/4 Rd. Hd.	2
3	NS-009-22	Mach. Nut 10-24 Hex	2
4	WL-004-40	Lockwasher #10 Medium	1
5	SC-009-25	Mach. Screw 10-24 x 5/8 Rd. Hd.	1
6	00-130445-00001	Cord & Plug Assy. (115 V.)	1
7	00-130445-00048	Cord & Plug Assy. (220 V.)	1
8	SD-017-39	Self-Tapping Screw 8-18 x 1/2 Slotted Rd. Hd., Type AB	1
9	00-133320-00017	Clamp 5/16 Cable	2
10	00-133320-00030	Outlet – Convenient (115 V.)	1
11	00-334124	Thermostat	1
12	SC-060-03	Mach. Screw 10-24 x 3/4 Rd. Hd.	2
13	00-133320-00014	Block – Terminal	1
14	NS-009-22	Mach. Nut 10-24 Hex	2
15	SD-017-39	Self-Tapping Screw 8-18 x 1/2 Slotted Rd. Hd., Type AB	2
16	00-133320-00013	Cover – Control Box	1
17	00-130445-00004	Switch – On/Off	1
18	NS-009-22	Mach. Nut 10-24 Hex	2
19	WL-004-40	Lockwasher #10 Medium	2
20	00-132654-00006	Circuit Board (115 V.)	1
21	00-132654-00013	Circuit Board (220 V.)	1
22	00-334626	Standoff – Screw Mount	4
23	00-133320-00016	Box – Control	1
24	SD-039-08	Self-Tapping Screw 6-32 x 3/8 Pan. Hd., Type F	4
25	00-133320-00018	Fuse – 1 Amp.	1

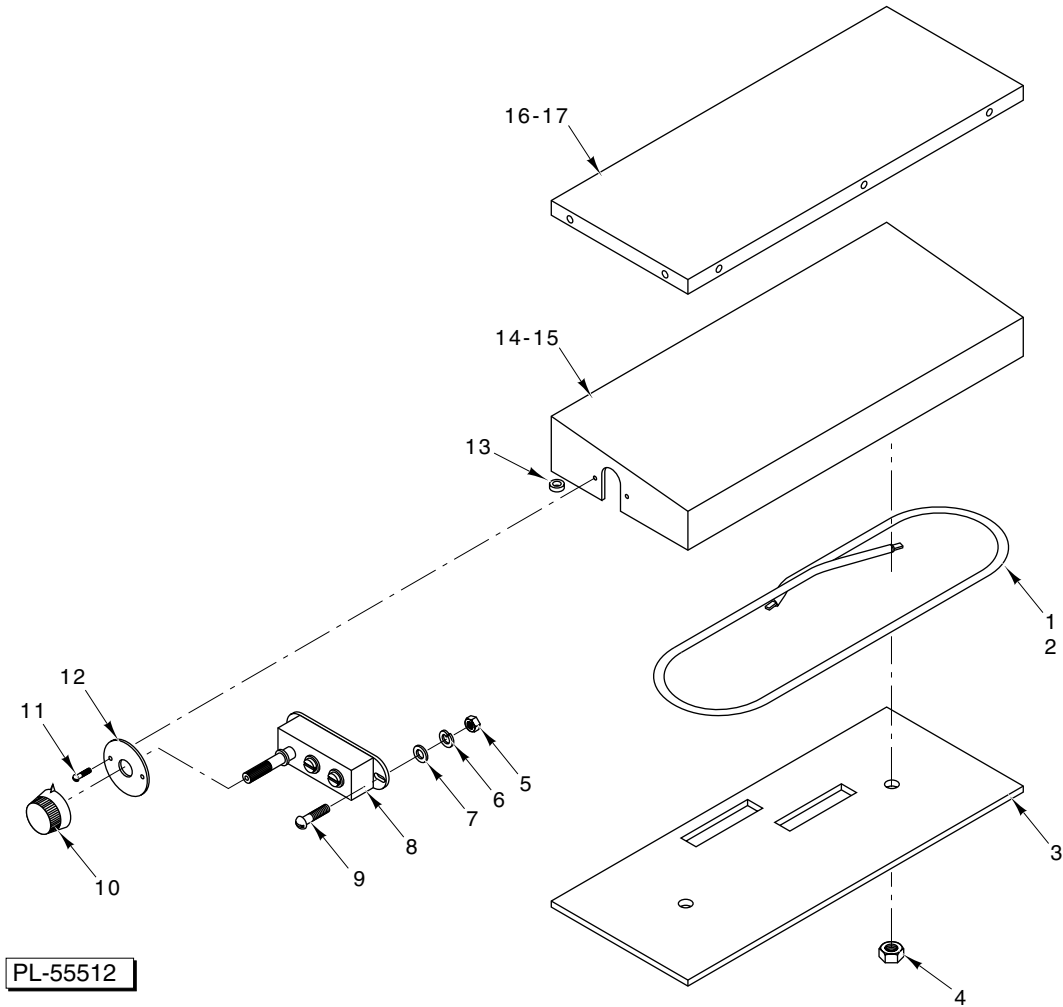


PL-55511

625A WRAP STATION

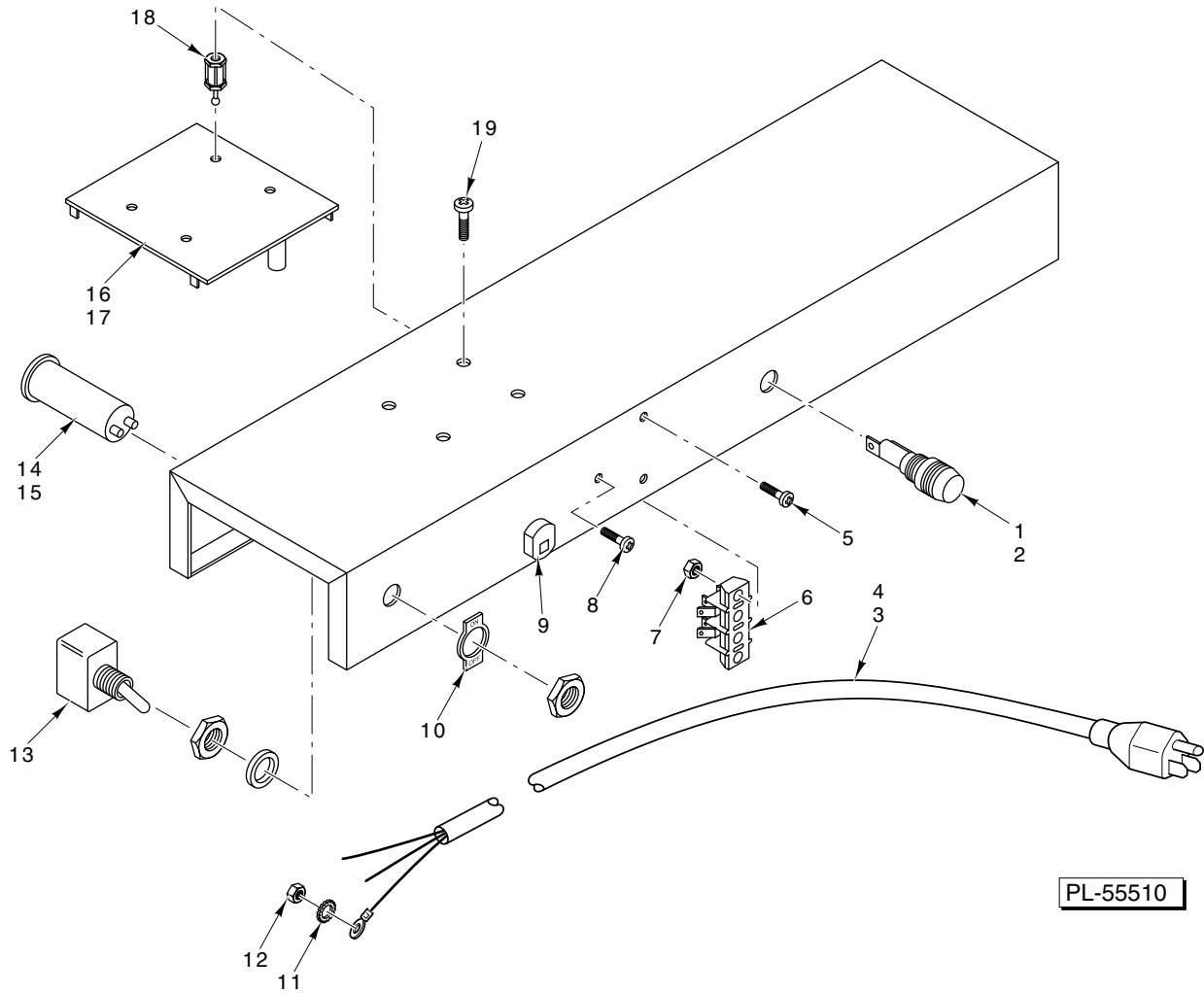
625A WRAP STATION

ILLUS. PL-55511	PART NO.	NAME OF PART	AMT.
1	00-130445-41	Cap – Adjustable End 3"	1
2	00-130445-00040	Axle – Film Mounting (22" Long)	1
3	00-030929	O-Ring	1
4	00-130445-00039	Pin	1
5	00-130445-00038	Cap – Fixed End (Incls. Items 3 & 4)	1
6	00-441680-00003	Bridge – Wrapping	1
7	00-046642	Rod – Film Retainer 1/4 x 22 ⁵ / ₈	1
8	00-046643	Guide – Plastic	1
9	00-134430	Collar – Hot Rod (Incls. Item 33)	1
10	WL-006-17	Lockwasher 1/4	4
11	SC-118-19	Cap Screw 1/4-20 x 3/4 Hex Hd.	4
12	00-441680-00005	Plate – Cover	1
13	00-049302	Foot – Rubber	4
14	00-441680-00004	Insulation Board – Hot Plate	1
15	00-134429	Rod – Hot (115 V.)	1
16	00-134431	Rod – Hot (220 V.)	1
17	00-046645	Nut – Tinnerman 1/4	2
18	SC-041-05	Cap Screw 1/4-20 x 5/8 Hex Hd.	2
19	WS-022-21	Washer 1/4	2
20	NS-037-21	Lock Nut 1/4-20 Hex	2
21	SD-036-24	Self-Tapping Screw 8-32 x 1/2 Pan Hd.	4
22	SC-041-05	Cap Screw 1/4-20 x 5/8 Hex Hd.	4
23	NS-015-01	Nut 1/4-20 Hex	4
24	WL-006-17	Lockwasher 1/4	4
25	00-441680-00002	Plate – Support Bearing Block (Incls. LH & RH)	1
26	00-441680-00001	Cap – Rubber	4
27	NS-028-11	Wing Nut 1/4-20	4
28	00-046611	Block – Bearing (LH & RH) (Incls. Items 23, 24, 26, 27, 29, & 30)	2
29	SC-128-24	Bolt – Carriage 1/4-20 x 1 1/2	4
30	SC-081-78	Mach. Screw 1/4-20 x 2 1/2 Rd. Hd.	4
31	NS-028-11	Wing Nut 1/4-20	4
32	WL-006-17	Lockwasher 1/4	4
33	SC-047-74	Set Screw 8-32 x 1/4 Hex Cup Pt.	1



625A HOT PLATE UNIT

ILLUS.	PART NO.	NAME OF PART	AMT.
	PL-55512		
1	00-334294	Element – Hot Plate (115 V.)	1
2	00-334293	Element – Hot Plate (240 V.)	1
3	00-046495	Plate – Element Mounting	1
4	NS-013-02	Nut 1/4-20 Hex	2
5	NS-009-07	Nut 6-32 Hex	2
6	WL-008-02	Lockwasher #6	2
7	WS-023-15	Washer	2
8	00-334659	Thermostat	1
9	SC-009-97	Mach. Screw 6-32 x 3/4 Rd. Hd.	2
10	00-440794	Knob	1
11	SD-033-56	Self-Tapping Screw 3/16 Rd. Hd., Type U	2
12	00-046496	Plate – Dial	1
13	00-334416	Washer – Insulating	16
14	00-334296	Hot Plate Casting 6 x 15	1
15	00-334297	Hot Plate Casting 8 x 15	1
16	00-130585-00001	Cover – Teflon 6 x 15	1
17	00-133320-00001	Cover – Teflon 8 x 15	1



PL-55510

625A CONTROL BOX UNIT

ILLUS.	PART NO.	NAME OF PART	AMT.
PL-55510			
1	FE-016-40	Fuse (1 Amp.) (250 V.)	1
2	00-030991	Holder – Fuse	1
3	00-130445-00001	Power Cord (115 V.)	1
4	00-130445-00048	Power Cord (220 V.)	1
5	SC-018-23	Mach. Screw 8-32 x 5/8 Pan Hd.	2
6	00-441680-00007	Block – Terminal	1
7	NS-011-12	Nut 8-32 Hex	2
8	SC-109-62	Mach. Screw 10-24 x 3/8 Pan Hd.	1
9	FE-025-53	Strain Relief – Straight	1
10	00-441680-00006	Plate – On/Off	1
11	WL-013-11	Lockwasher – Internal #10	1
12	NS-048-23	Nut 10-24 Hex	1
13	00-130445-00004	Switch – On/Off (Incls. Mounting Hardware)	1
14	00-132654-00004	Pilot Light (115 V.)	1
15	00-130445-00050	Pilot Light (220 V.)	1
16	00-132654-00006	Circuit Board (115 V.)	1
17	00-132654-00013	Circuit Board (220 V.)	1
18	00-334626	Standoff – Screw Mount	4
19	SD-039-08	Self-Tapping Screw 6-32 x 3/8 Pan Hd., Type F	4

MISCELLANEOUS

ILLUS.	PART NO.	NAME OF PART	AMT.
PL-55654			
1	00-334289	Terminal – Spade 1/4 (Hi-Temp)	AR
2	00-086951	Terminal – Ring #8 (Hi-Temp)	AR
3	00-127691	Terminal – Ring #10 (Hi-Temp)	AR
4	00-332204-00001	Wire – Black 14 Ga. (Hi-Temp, 10 Ft.)	AR
5	00-332204-00002	Wire – Black 14 Ga. (Hi-Temp, 20 Ft.)	AR
6	00-332204-00003	Wire – Black 14 Ga. (Hi-Temp, 50 Ft.)	AR
7	00-332205-00001	Wire – White 14 Ga. (Hi-Temp, 10 Ft.)	AR
8	00-332205-00002	Wire – White 14 Ga. (Hi-Temp, 20 Ft.)	AR
9	00-332205-00003	Wire – White 14 Ga. (Hi-Temp, 50 Ft.)	AR