



CATALOG OF REPLACEMENT PARTS

NGW WRAPPING SYSTEM



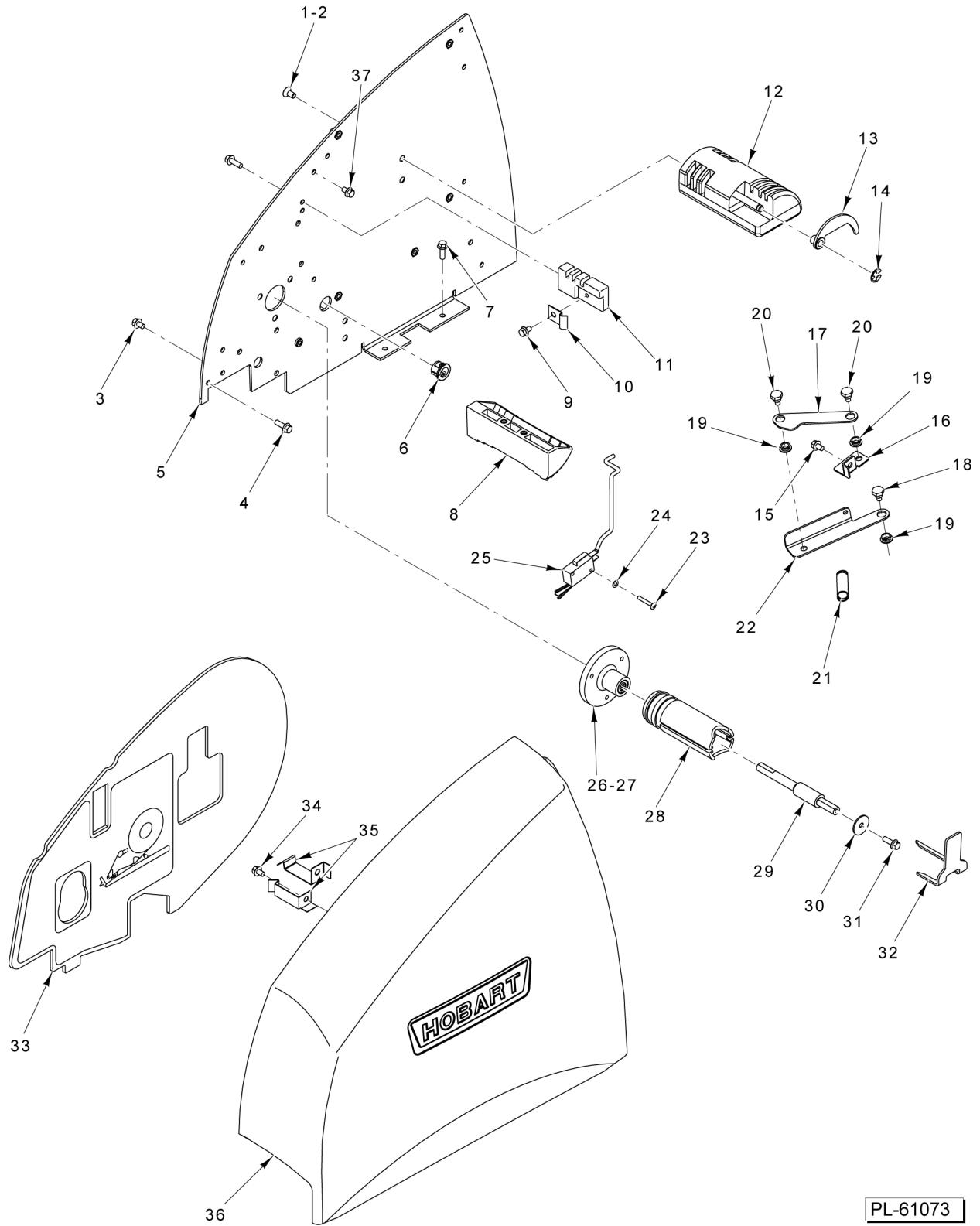
ML-44254	NGW1 - LI1LR
ML-44255	NGW1 - LI1RL
ML-44256	NGW2 - LI1LR
ML-44257	NGW2 - LI1RL
ML-44260	NGW1 - LI1LR/C
ML-44261	NGW1 - LI1RL/C
ML-44262	NGW2 - LI1LR/C
ML-44263	NGW2 - LI1RL/C
ML-44264	NGW1 - LI1LRCB
ML-44265	NGW1 - LI1RLCB

Table of Contents

7	PRINTER (RIGHT SIDE)
9	PRINTER (LEFT SIDE)
11	DISPLAY
13	PRINTER (BOTTOM)
15	PRINthead ASSEMBLY
17	LABEL HOLD DOWN ASSEMBLY
19	RUN AND STOP SWITCH
21	CONTROL BOX
23	CONTROL BOX CABLES
25	CONTROL BOX FUSES
27	STEPPER BOARD FUSES
29	POWER SUPPLY BOARD CABLES (PREVIOUS CONSTRUCTION)
31	POWER SUPPLY BOARD CABLES (CURRENT CONSTRUCTION)
33	POWER SUPPLY BOARD FUSES (PREVIOUS CONSTRUCTION)
35	POWER SUPPLY BOARD FUSES (CURRENT CONSTRUCTION)
37	SIDE BOX AND HT SYSTEM CONTROL
39	SIDE PANELS
41	REAR PANELS
43	RIGHT FRONT FOLDER, SHUTTLE ASSEMBLY, AND REAR UNDERFOLDER MOTOR
45	SCALE PLATFORM
47	PRIMARY INTAKE AND SHIFTER
49	PRIMARY INTAKE SHIFT CONVEYOR AREA
51	INTAKE FRAME
53	CAMERA ENCLOSURE
55	ELEVATOR CONVEYOR ASSEMBLY
57	ELEVATOR MOTOR
59	ELEVATOR SLAT AND POST ASSEMBLY
61	ELEVATOR AND KNIFE CYLINDERS
63	KNIFE FRAME AND SELECTOR SUPPORT
65	SIDE CLAMP AND SIDE UNDERFOLDER MOTORS
67	SIDE CLAMPS
69	SIDE UNDERFOLDERS
71	SIDE CLAMP, SIDE UNDERFOLDER BELTS, AND PULLEYS
73	GRIPPER
75	GRIPPER DRIVE BELT
77	GRIPPER DRIVE, AND HEIGHT SENSORS
79	LEFT FRONT PUSHER REAR UNDERFOLDER BELT
81	UPPER PUSHER AND FRONT FOLDER MOTORS
83	PACKAGE HOLD DOWN
85	PUSHER AND REAR UNDERFOLDER
87	FILM SELECTOR (NGW1)

- 89 FILM SELECTOR (NGW2)
- 91 FILM SUPPLY ARBOR (NGW1)
- 93 FILM SUPPLY ARBOR (NGW2)
- 95 BELT SEALER ASSEMBLY / REFLECTIVE PKG. SENSOR
- 97 PACKAGE SENSOR - BEAM BREAKER
- 99 BELT SEALER MOTOR
- 101 LABEL APPLIER SUPPORT (L-R)
- 103 LABEL APPLIER SUPPORT (R-L)
- 105 LABEL APPLIER (WAND AND MOTORS)
- 107 LABEL APPLIER (ARM)
- 109 VACUUM PUMP, COMPRESSOR, AND TANKS
- 111 FILTER DRYER ASSEMBLY (JANATICS)
- 113 FILTER DRYER ASSEMBLY (NORGREN)
- 115 MANIFOLD ASSEMBLY
- 117 QUICK EXHAUST ASSEMBLY
- 119 DRAIN VALVE ASSEMBLY
- 121 SHELF (OPTIONAL)
- 123 ACCESSORIES

NOTES

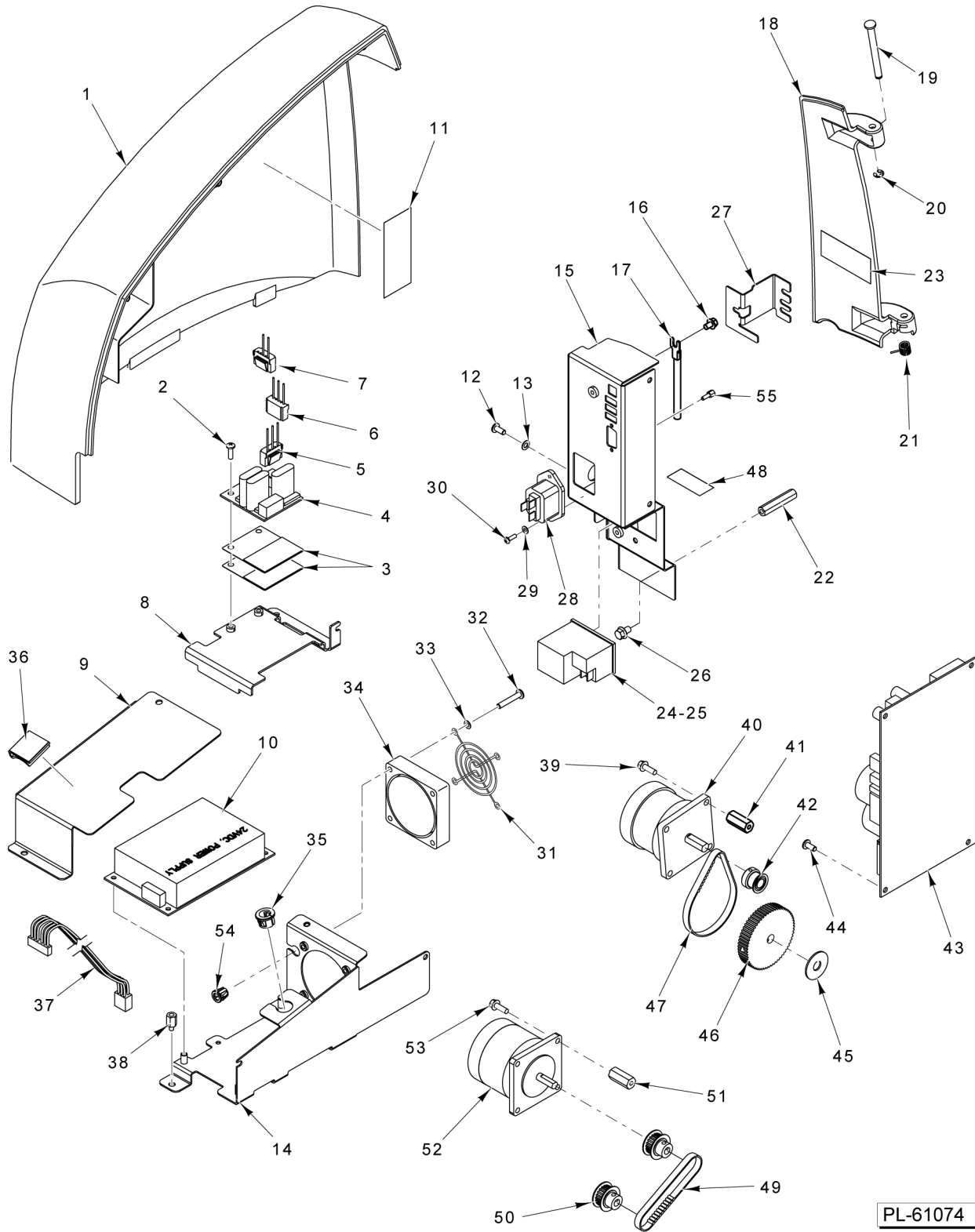


PL-61073

**PRINTER
(RIGHT SIDE)**

**PRINTER
(RIGHT SIDE)**

ILLUS. PL-61073	PART NO.	NAME OF PART	AMT.
1	SC-020-23	Mach. Screw 10-24 x 3/8 Phil. Flat Hd.....	AR
2	00-520228	Adhesive (Loctite #242, Blue) (Use with Item 1).....	AR
3	SC-128-55	Mach. Screw 8-32 x 1/4 Hex Hd.....	3
4	SC-128-54	Mach. Screw 8-32 x 1/2 Hex Hd.....	AR
5	00-445620	Plate - Wall.....	1
6	FE-023-52	Bushing - Electrical Snap 0.312 I.D.....	1
7	SC-128-54	Mach. Screw 8-32 x 1/2 Hex Hd.....	2
8	00-442638	Guide - Top Label.....	1
9	SC-128-55	Mach. Screw 8-32 x 1/4 Hex Hd.....	1
10	00-442641	Catch - Main Door Latch.....	1
11	00-442640	Support - Upper Guide Plate.....	1
12	00-443739	Hub Assy. Support Roll.....	1
13	00-443755	Guide Assy. - Supply Roll.....	1
14	RR-006-22	Retaining Ring 1/4 In. (SST).....	1
15	SC-128-55	Mach. Screw 8-32 x 1/4 Hex Hd.....	1
16	00-442663	Bracket - Hold-Open Door Mounting.....	1
17	00-442661	Link - Door Stop (Non-Locking).....	1
18	00-442664	Screw - Shoulder (Door Mounting).....	1
19	00-043253	Bushing - Nyliner.....	3
20	00-442664	Screw - Shoulder (Door Mounting).....	2
21	00-442690	Spring - Door Hold-Open.....	1
22	00-442662	Link - Door Stop (Bottom).....	1
23	SC-127-24	Mach. Screw 4-40 x 3/4 Phil. Truss Hd.....	2
24	WL-013-02	Lockwasher #4 Internal Shakeproof (SST).....	2
25	00-441934	Switch Assy. - Head Up Sensor.....	1
26	00-442643	Hub Assy. - Take-Up.....	1
27	00-103881-00011	Lubricant (#630AA, 2 Oz.).....	AR
28	00-442651	Hub - Take-Up.....	1
29	00-442650	Shaft - Take-Up Hub.....	1
30	00-442652	Washer - Take-Up Drive.....	1
31	SC-128-54	Mach. Screw 8-32 x 1/2 Hex Hd.....	1
32	00-442672	Key - Take-Up.....	1
33	00-442980	Plate Assy. - Label Stock Guide.....	1
34	SC-128-55	Mach. Screw 8-32 x 1/4 Hex Hd.....	1
35	00-442642	Hook - Main Door Latch.....	1
36	00-442674	Housing - Printer Door.....	1
37	SC-128-55	Mach. Screw 8-32 x 1/4 Hex Hd.....	3

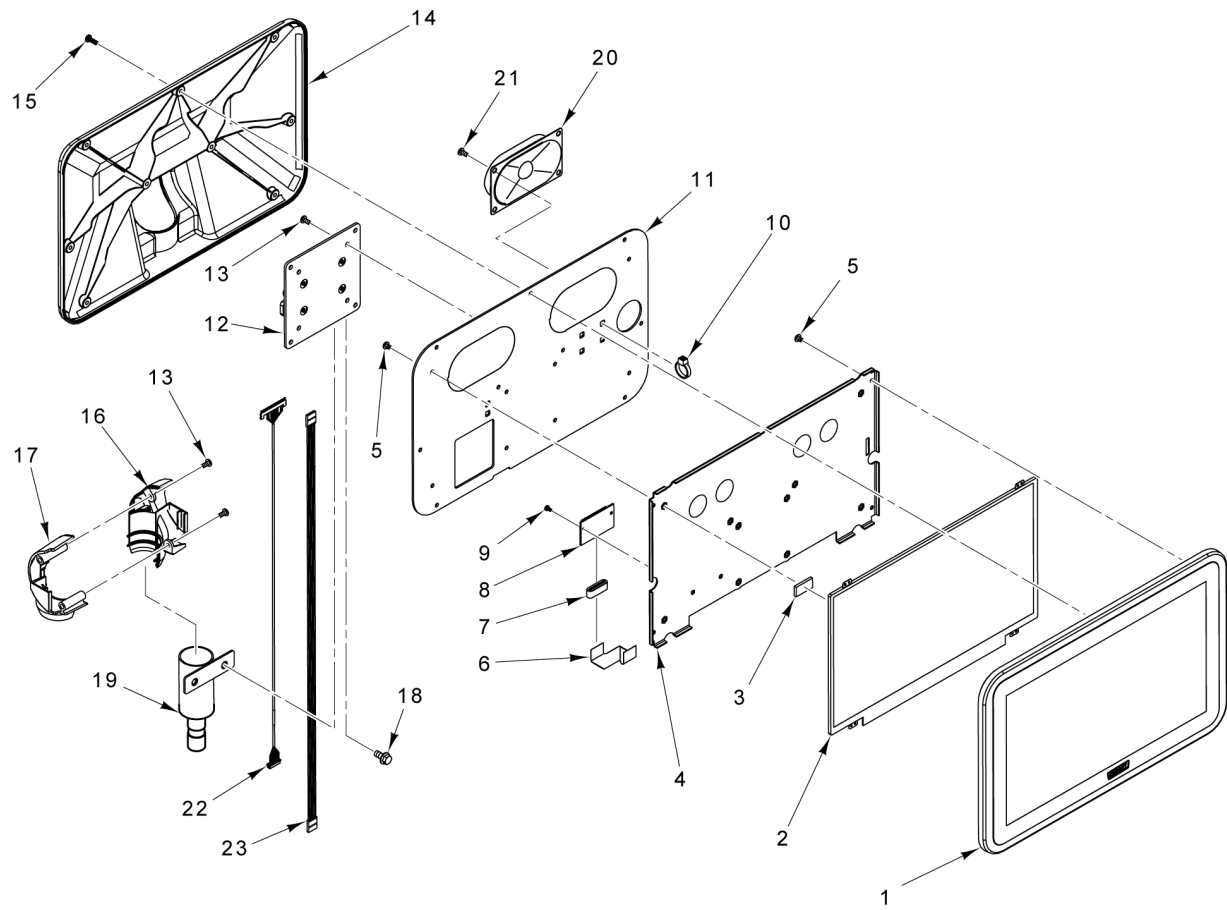


PL-61074

**PRINTER
(LEFT SIDE)**

**PRINTER
(LEFT SIDE)**

ILLUS.	PART NO.	NAME OF PART	AMT.
PL-61074			
1	00-442677	Housing - Printer Fixed.....	1
2	SC-129-33	Mach. Screw 8-32 x 3/8 Phil. Pan Hd.....	2
3	00-443081	Shield - PC Surge Protection.....	2
4	00-442910	Board Assy. - Surge Protection.....	1
5	00-447700	Cable Assy. (EPP Power Input to Surge Board).....	1
6	00-442914	Cable Assy. (EPP Surge Board to Power Out).....	1
7	00-447699	Cable Assy. (EPP Surge Board to Power Supply).....	1
8	00-445612	Bracket - Board Mounting.....	1
9	00-445614	Cover - Power Supply.....	1
10	00-443549-00002	Power Supply.....	1
11	00-447666	Label - Warning.....	1
12	SC-129-33	Mach. Screw 8-32 x 3/8 Phil. Pan Hd.....	2
13	WL-008-07	Lockwasher #8 Internal Shakeproof.....	2
14	00-445613	Bracket - Power Supply.....	1
15	00-445608	Bracket - Rear.....	1
16	SC-128-55	Mach. Screw 8-32 x 1/4 Hex Hd.....	1
17	00-443788	Wire Assy. (Ground Strap).....	1
18	00-442676	Cover - Printer Connector.....	1
19	00-442675	Pin - Hinge.....	2
20	RR-006-03	Retaining Ring.....	2
21	00-442685	Spring - Cable Cover Door.....	1
22	00-443769	Standoff - Cable Routing.....	1
23	00-447804	Label - Fuse.....	1
24	00-442888	Power Input Module Assy. (Incls. Item 25).....	1
25	00-441406-00002	Fuse (2.5 Amp., SLO).....	1
26	SC-128-55	Mach. Screw 8-32 x 1/4 Hex Hd.....	1
27	00-447715	Bracket - USB.....	1
28	00-445737	Power Output Module Assy.....	1
29	WL-013-02	Lockwasher #4 Internal Shakeproof (SST).....	2
30	SC-125-30	Mach. Screw 4-40 x 3/8 Phil. Pan Hd. (SST).....	2
31	00-041799	Guard - Fan.....	1
32	SC-111-94	Mach. Screw 8-32 x 1-1/4 Phil. Pan Hd.....	3
33	WL-008-01	Lockwasher #6 Internal Shakeproof.....	3
34	00-444906	Fan - Brushless (24 V.).....	1
35	FE-023-52	Bushing - Electrical Snap 0.312 I.D.....	1
36	00-442590	Clip - Flat Wire Retainer.....	1
37	00-444769	Cable Assy. - DC Power.....	1
38	00-447356	Spacer.....	1
39	SC-128-54	Mach. Screw 8-32 x 1/2 Hex Hd.....	3
40	00-441931	Motor - Take-Up.....	1
41	00-442649	Spacer - Stepper Motor.....	3
42	00-442680	Pulley - Take-Up Motor.....	1
43	00-445396	Board Assy. (Printer Control).....	1
44	SC-129-33	Mach. Screw 8-32 x 3/8 Phil. Pan Hd.....	5
45	00-443055	Washer - Shim.....	1
46	00-442681	Pulley - Take-Up Drive.....	1
47	00-442683	Belt - Take-Up Motor.....	1
48	00-444514	Label - Outlet Power.....	1
49	00-442684	Belt - Print Roller & Stepper Motor.....	1
50	00-442682	Pulley - Print Roller & Stepper Motor.....	2
51	00-442649	Spacer - Stepper Motor.....	3
52	00-440142-00002	Motor Assy. - Stepper.....	1
53	SC-128-54	Mach. Screw 8-32 x 1/2 Hex Hd.....	3
54	FE-026-23	Bushing - Electric.....	1
55	00-257128	Screwlock - Female.....	1

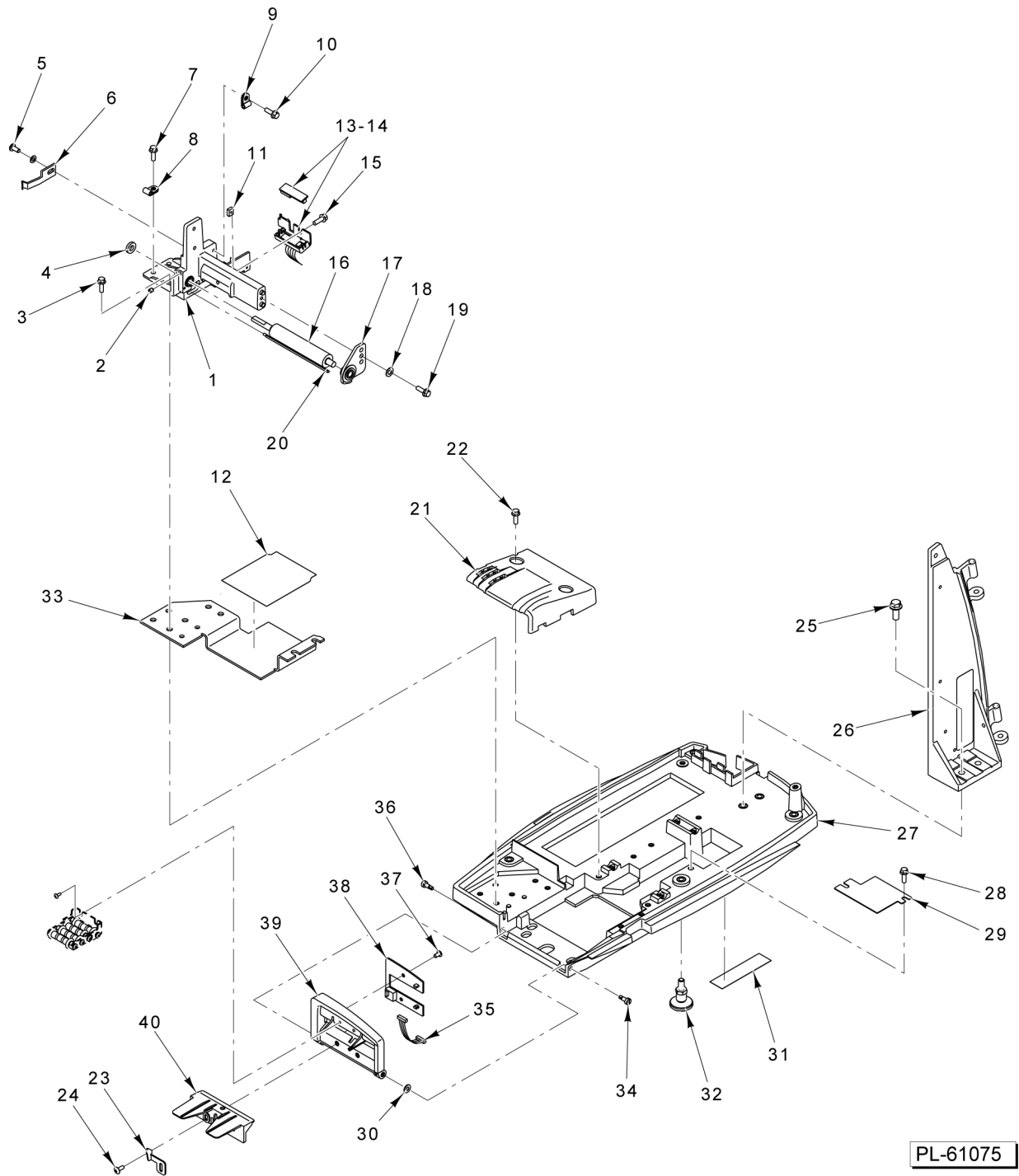


PL-61078

DISPLAY

DISPLAY

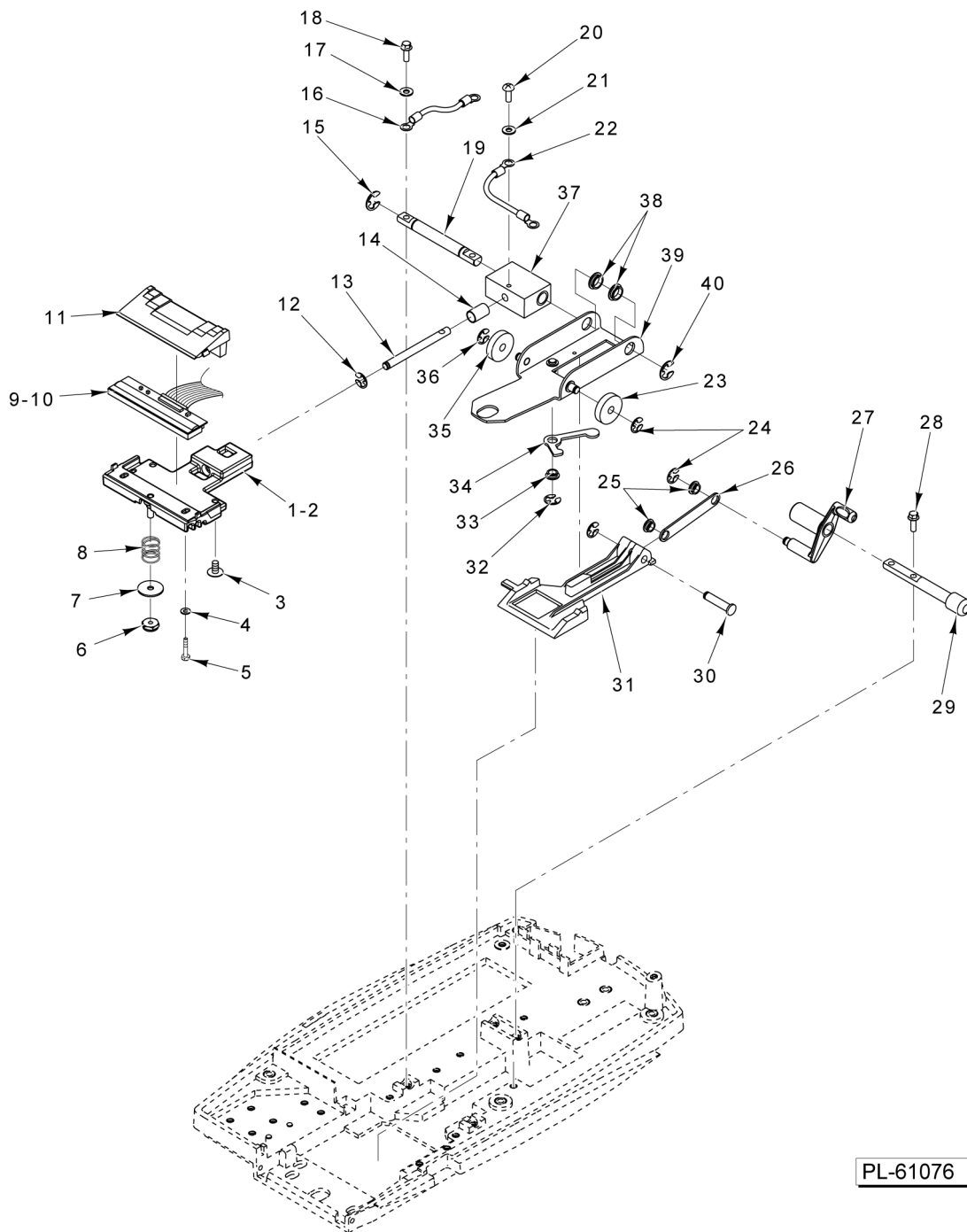
ILLUS.	PART NO.	NAME OF PART	AMT.
PL-61078			
1	00-448690	Touchscreen - Front Housing Assy.....	1
2	00-448231	Display - Color (14 In. 1366 x 768).....	1
3	00-447133	Spacer.....	4
4	00-448222	Plate - Display Mounting.....	1
5	SC-018-30	Mach. Screw 8-32 x 1/4 Phil. Pan Hd.....	8
6	00-448197	Cable Assy. (FFC Display).....	1
7	00-447066	Cable - Flex Ribbon.....	1
8	00-448095	PCB - LCD Interface.....	1
9	SC-018-68	Mach. Screw 4-40 x 1/4 Phil. Pan Hd.....	2
10	00-251199	Tie - Cable (4 In. Long).....	4
11	00-448221	Frame - Display.....	1
12	00-448232	Hinge - Display.....	1
13	SC-018-31	Mach. Screw 8-32 x 3/8 Phil. Pan Hd.....	6
14	00-448224	Cover - Display Rear.....	1
15	SC-132-16	Mach. Screw 8-32 x 1/2.....	9
16	00-448225	Cover - Left Hinge.....	1
17	00-448226	Cover - Right Hinge.....	1
18	SC-129-49	Mach. Screw 1/4-20 x 1/2 Hex Washer Hd. (SST).....	2
19	00-448520	Post.....	1
20	00-447030	Speaker Assy.....	2
21	SD-033-14	Self-Tapping Screw 4-40 x 1/4 Phil. Pan Hd.....	4
22	00-449241	Cable Assy. (LVDS Display).....	1
23	00-449243	Cable Assy. (Touchscreen).....	1



PRINTER (BOTTOM)

PRINTER (BOTTOM)

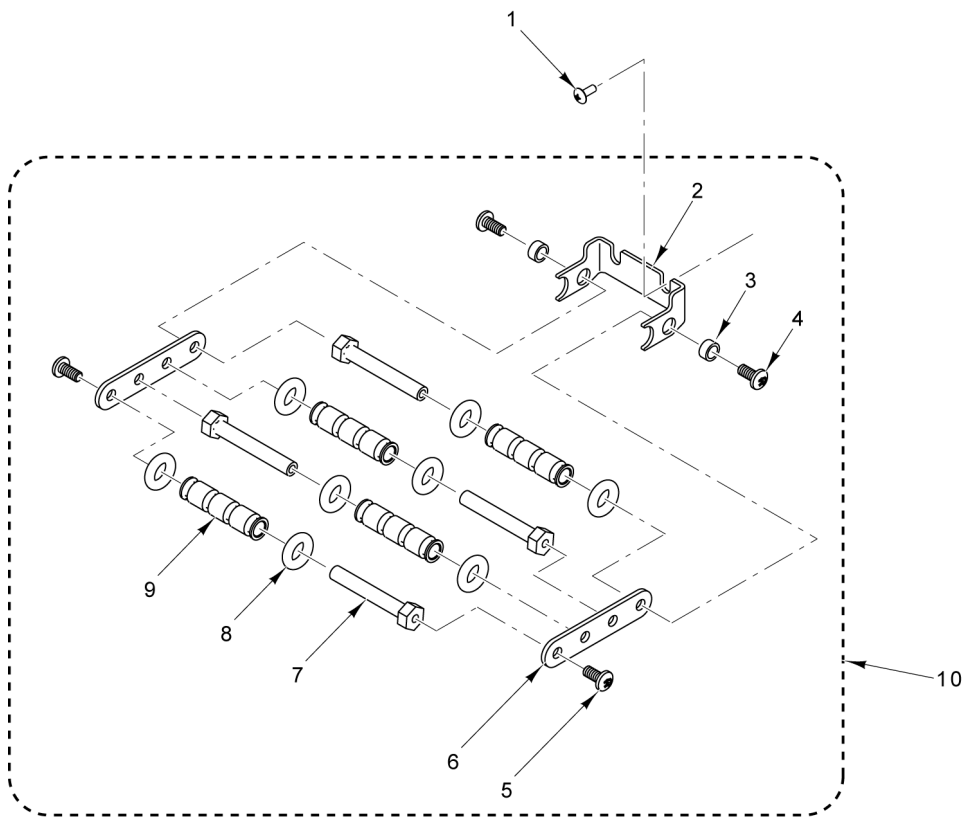
ILLUS. PL-61075	PART NO.	NAME OF PART	AMT.
1	00-442629	Support Assy. - Print Roller.....	1
2	SC-047-73	Set Screw 8-32 x 3/16 Hex Hdls., Cup Pt.....	1
3	SC-128-54	Mach. Screw 8-32 x 1/2 Hex Hd.....	8
4	00-443610	Spacer - Print Roller Pulley.....	1
5	SC-129-33	Mach. Screw 8-32 x 3/8 Phil. Pan Hd.....	1
6	00-447308	Latch - Label Door.....	1
7	SC-128-54	Mach. Screw 8-32 x 1/2 Hex Hd.....	1
8	00-442679	Clamp P Wire.....	1
9	00-442679	Clamp P Wire.....	1
10	SC-128-54	Mach. Screw 8-32 x 1/2 Hex Hd.....	1
11	00-442689	Nut - Head-Up Sensor Adjusting.....	1
12	00-442697	Label - Anti-Friction.....	1
13	00-441933	Cable - Media Sensor Assy.....	1
14	00-441831	Sensor Assy. - Media.....	1
15	SC-128-54	Mach. Screw 8-32 x 1/2 Hex Hd.....	1
16	00-442635	Roller Assy. - Print.....	1
17	00-442633	Plate Assy. - End.....	1
18	WS-023-22	Washer (SST).....	1
19	SC-128-54	Mach. Screw 8-32 x 1/2 Hex Hd.....	1
20	00-442632	Bar - Peel.....	1
21	00-442671	Guide - Lower Label.....	1
22	SC-128-54	Mach. Screw 8-32 x 1/2 Hex Hd.....	2
23	00-442598	Finger - Center Tab.....	1
24	SC-066-02	Mach. Screw 6-32 x 3/8 Phil. Truss Hd. (SST).....	2
25	SC-123-92	Mach. Screw 1/4-20 x 5/8 Hex Washer Hd.....	2
26	00-442604	Hinge - Printer Door.....	1
27	00-442601	Base - Printer.....	1
28	SC-128-54	Mach. Screw 8-32 x 1/2 Hex Hd.....	2
29	00-442666	Bracket - Ramp Hold-Down.....	1
30	WS-023-22	Washer (SST).....	1
31	00-184336	Label - Interference Warning (FCC Verification).....	1
32	00-447055	Foot Assy.....	4
33	00-442603	Plate - Base Stiffner.....	1
34	00-442668	Shoulder Screw 6-32 x 1/4.....	1
35	00-441932	Cable Assy. Label Taken Sensor.....	1
36	00-442668	Shoulder Screw 6-32 x 1/4.....	1
37	SD-037-75	Self-Tapping Screw 6-19 x 1/4 Phil. Pan Hd.....	2
38	00-441823	Board - Label Taken Sensor.....	1
39	00-442667	Door - Label Taken Sensor.....	1
40	00-442670	Table - Label.....	1



PRINthead ASSEMBLY

PRINthead ASSEMBLY

ILLUS.	PART NO.	NAME OF PART	AMT.
PL-61076			
1	00-442622	Heat Sink Assy. - Printhead.....	1
2	00-519504	Thermo Joint Compound (2 Oz.).....	AR
3	SD-033-27	Self-Tapping Screw 6-19 x 5/8 Phil. Pan Hd.....	2
4	WL-008-01	Lockwasher #6 Internal Shakeproof.....	2
5	SC-128-17	Mach. Screw M3 x 0.5 x 8mm Phil. Pan Hd.....	2
6	NS-031-16	Stop Nut 10-24 Hex Elastic (SST).....	1
7	00-442627	Guide - Printhead Pressure Spring.....	1
8	00-442626	Spring - Printhead Pressure.....	1
9	00-441984-00001	Printhead - Thermal.....	1
10	00-442870	Cable Assy. - Printhead.....	1
11	00-442628	Cover - Printhead.....	1
12	RR-006-22	Retaining Ring 1/4 In. (SST).....	1
13	00-442620	Shaft - Print Head Center Pivot.....	1
14	00-442621	Spring - Print Head Locating.....	1
15	RR-009-10	Retaining Ring 3/8 In. (SST).....	1
16	00-044287	Cable Assy. (Ground).....	1
17	WL-008-07	Lockwasher #8 Internal Shakeproof.....	1
18	SC-128-54	Mach. Screw 8-32 x 1/2 Hex Hd.....	2
19	00-442619	Shaft - Print Head Block Pivot.....	1
20	SC-018-34	Mach. Screw 8-32 x 1/2 Phil. Pan Hd.....	1
21	WL-008-07	Lockwasher #8 Internal Shakeproof.....	1
22	00-044287	Cable Assy. (Ground).....	1
23	00-442615	Roller - Print Head Pressure Plate.....	1
24	RR-006-22	Retaining Ring 1/4 In. (SST).....	3
25	00-043253	Bushing - Nyliner.....	2
26	00-442607	Link - Print Head Lever.....	1
27	00-442609	Lever Assy. - Print Head.....	1
28	SC-128-54	Mach. Screw 8-32 x 1/2 Hex Hd.....	2
29	00-442608	Shaft - Ramp Lever Pivot.....	1
30	00-442606	Pin - Ramp Connecting Link.....	1
31	00-442605	Ramp - Print Head Pressure.....	1
32	RR-006-22	Retaining Ring 1/4 In. (SST).....	1
33	00-043253	Bushing - Nyliner.....	1
34	00-442665	Lever - Print Head Release.....	1
35	00-442615	Roller - Print Head Pressure Plate.....	1
36	RR-006-22	Retaining Ring 1/4 In. (SST).....	1
37	00-442616	Block Assy. - Print Head Pivot.....	1
38	00-047967	Bearing - Nyliner 3/8 Dia.....	2
39	00-442612	Plate Assy. - Print Head Pressure.....	1
40	RR-009-10	Retaining Ring 3/8 In. (SST).....	1

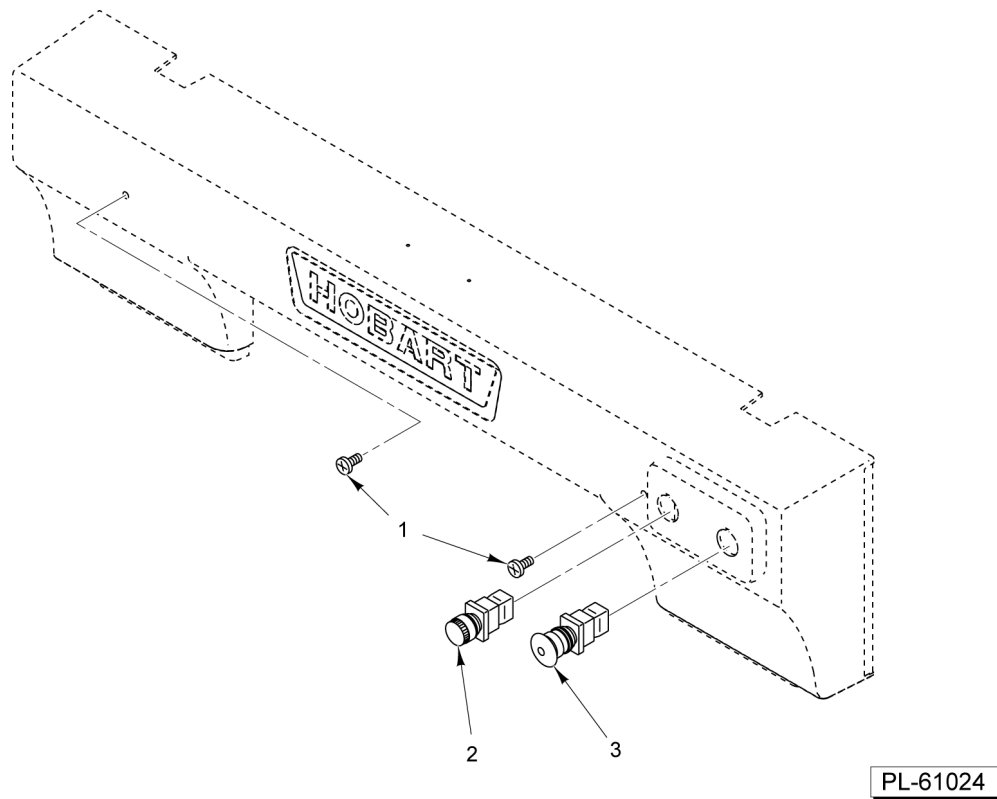


PL-61077

LABEL HOLD DOWN ASSEMBLY

LABEL HOLD DOWN ASSEMBLY

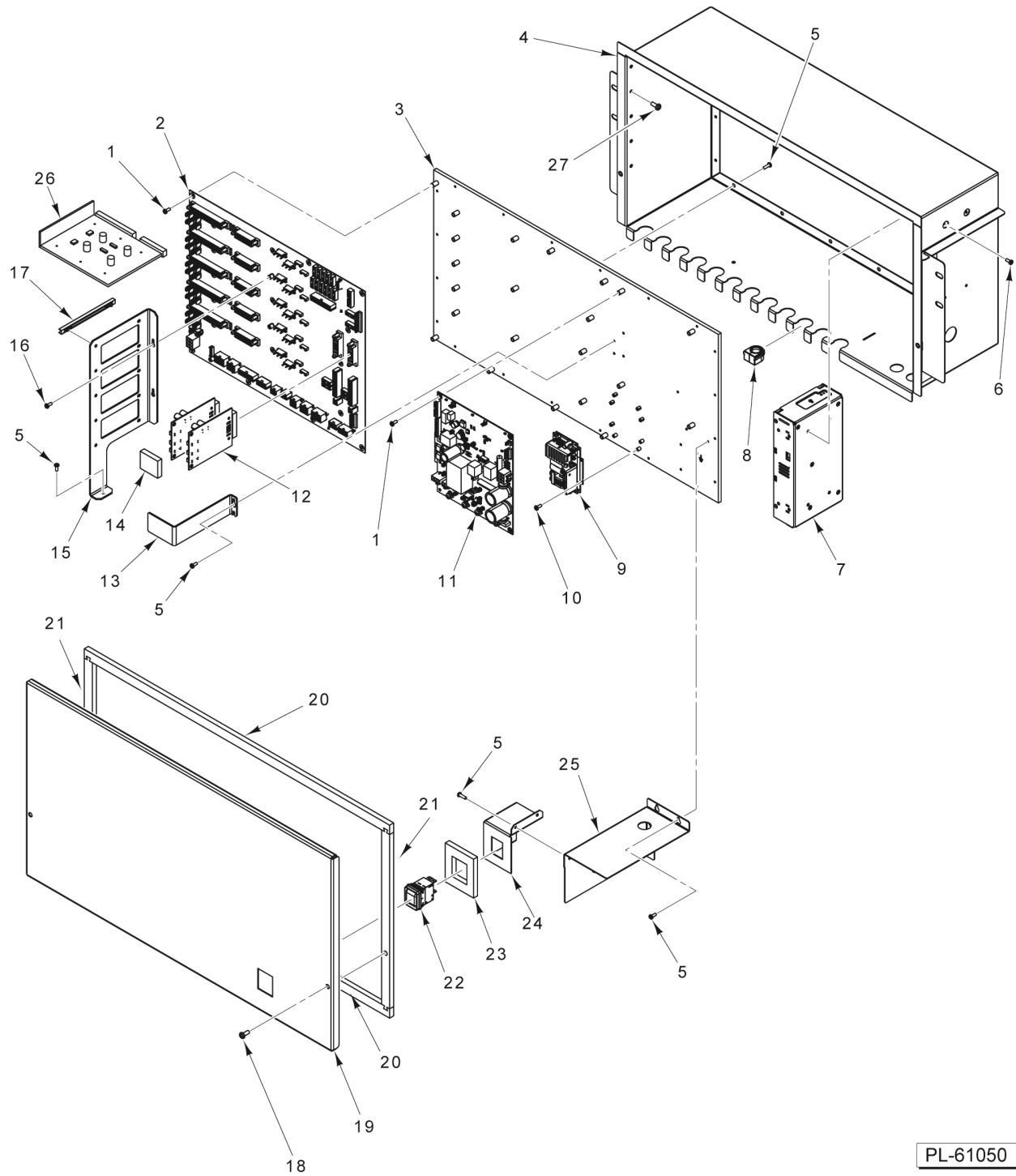
ILLUS.	PART NO.	NAME OF PART	AMT.
PL-61077			
1	SD-037-75	Self-Tapping Screw 6-19 x 1/4 Phil. Pan Hd.....	2
2	00-444603	Bracket - Label Hold Down.....	1
3	00-444605	Spacer - Label Hold Down Pivot.....	2
4	SC-129-40	Mach. Screw 4-40 x 1/4 Phil. Pan Hd.....	2
5	SC-129-40	Mach. Screw 4-40 x 1/4 Phil. Pan Hd.....	6
6	00-444604	Bracket - Roller Hold Down.....	2
7	00-443774	Shaft - Wheel Mounting Label.....	4
8	00-441580-00003	O-Ring.....	8
9	00-443799	Sleeve - Hold Down Wheel.....	4
10	00-444602	Label Hold Down Assy. (Incls. Items 2 thru 9).....	1



RUN AND STOP SWITCH

RUN AND STOP SWITCH

ILLUS. PL-61024	PART NO.	NAME OF PART	AMT.
1	SC-053-03	Mach. Screw 10-24 x 3/4 Slotted Truss Hd. (SST).....	2
2	00-448889	Switch Assy. - Push Button (Illuminated) (Teknic).....	1
3	00-445457	Switch Assy. - Push Button (Mushroom Type) (Teknic).....	1
	00-449936	Bulb, LED 24V (for use in Item 2).....	1
	00-448980	Assy, Start Stop Switch Harness. (Includes items 2 & 3).....	1

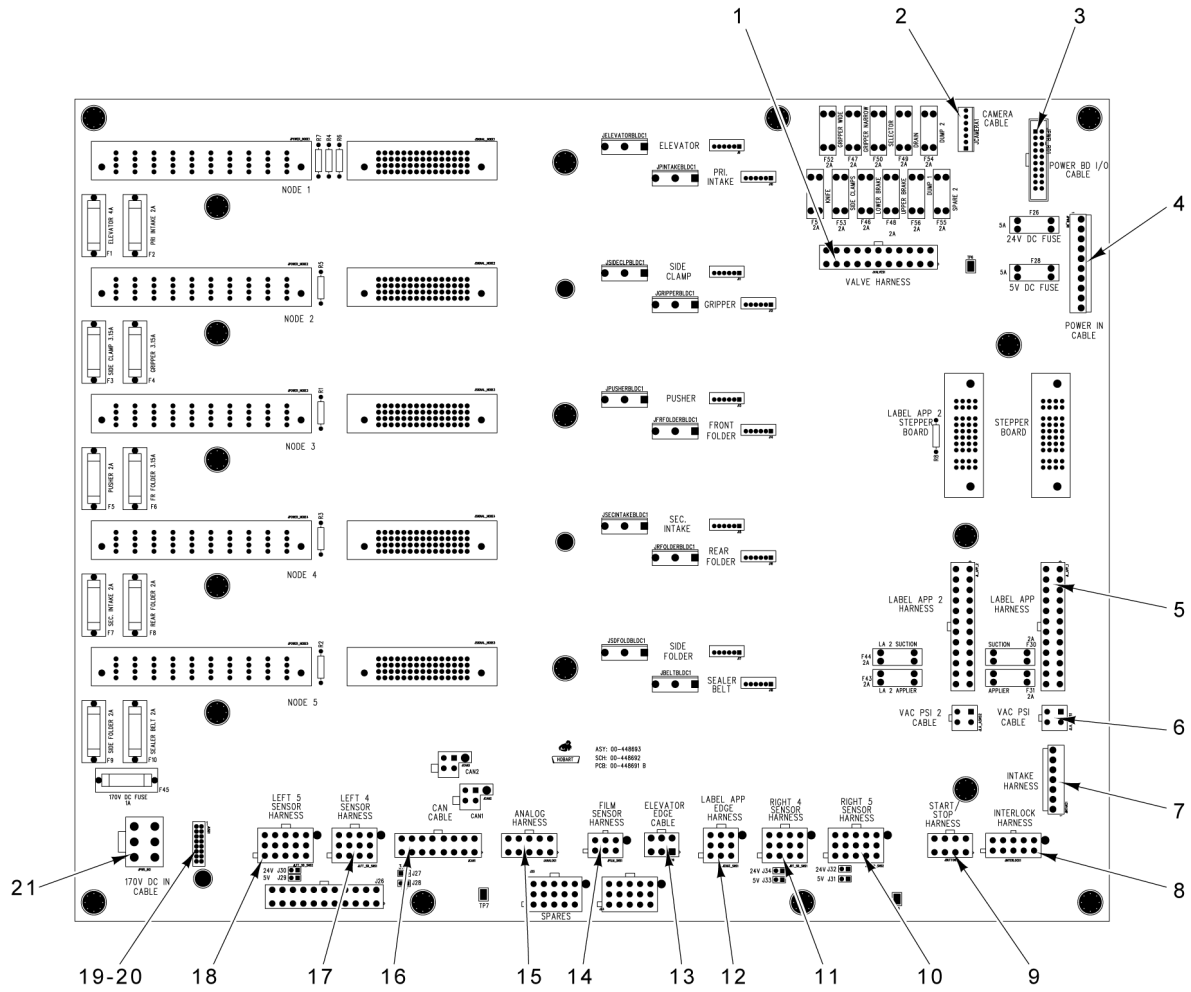


PL-61050

CONTROL BOX

CONTROL BOX

ILLUS.	PART NO.	NAME OF PART	AMT.
PL-61050			
1	SC-018-34	Mach. Screw 8-32 x 1/2 Phil. Pan Hd.....	AR
2	00-448693	Board Assy. (Back Plane).....	1
3	00-448591	Plate - Mounting.....	1
4	00-448592	Box - Control.....	1
5	SC-018-30	Mach. Screw 8-32 x 1/4 Phil. Pan Hd.....	AR
6	SC-122-37	Mach. Screw M4 x 0.7 x 10mm Phil. Pan Hd. (SST).....	4
7	00-449016	Power Supply (24 V., 350 W.).....	1
8	00-448598	Grommet.....	12
9	00-449017	Supply - Power (5 VDC, 25 W.).....	1
10	SC-113-10	Mach. Screw 4-40 x 3/8 Phil. Pan Hd.....	8
11	00-448330	Board Assy. (Power Supply).....	1
12	00-448460	Board Assy. (Stepper).....	2
13	00-448600	Brace - Board Support.....	1
14	00-448603-00002	Gasket.....	1
15	00-448601	Bracket - Card.....	1
16	SC-018-29	Mach. Screw 6-32 x 3/8 Phil. Pan Hd.....	2
17	00-448939	Rail - Guide.....	5
18	SC-129-50	Mach. Screw 1/4-20 x 5/8 Hex Washer Hd. (SST).....	AR
19	00-450166	Cover Assy, Control Box NGW (Incls. 20, 21, 23 & Labels).....	1
20	00-448606-00001	Gasket (28.410 In.) (Top and Bottom).....	2
21	00-448606-00002	Gasket (15.532 In.) (Sides).....	2
22	00-448697	Breaker (2-Pole) (20 Amp., 240 V.).....	1
23	00-448603-00001	Gasket.....	1
24	00-449898	Mount, Breaker.....	1
25	00-448597	Divider.....	1
26	00-448320	Board Assy. (Node).....	5
27	SC-093-04	Mach. Screw 8-32 x 1/2 Phil. Pan Hd. (SST).....	5

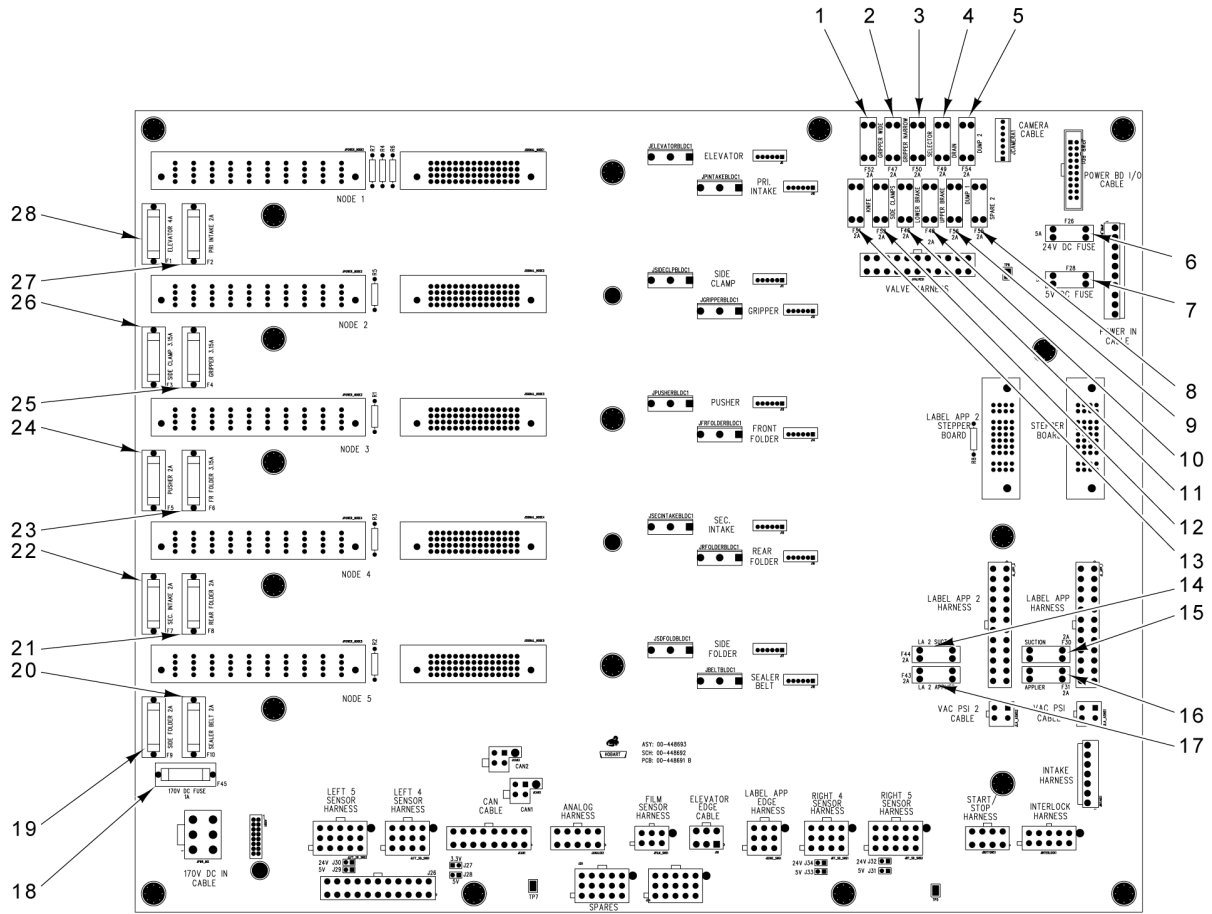


PL-61081

CONTROL BOX CABLES

CONTROL BOX CABLES

ILLUS.	PART NO.	NAME OF PART	AMT.
PL-61081			
1	00-449115	Cable Assy. (Valves).....	1
2	00-449142	Cable Assy. (Camera Control).....	1
3	00-448963	Cable Assy. (I/O Ribbon).....	1
4	00-448962	Cable Assy. (Power In).....	1
5	00-449108	Cable Assy. (Label Applier).....	1
6	00-449111	Cable Assy. (Vacuum PSI).....	1
7	00-449109	Cable Assy. (Intake).....	1
8	00-449110	Cable Assy. (Interlock).....	1
9	00-448980	Cable Assy. (Start/Stop Switch).....	1
10	00-449116	Harness (15 Pos. Right).....	1
11	00-449118	Harness (12 Pos. Right).....	1
12	00-449868	CABLE ASSY., HARNESS, EDGE.....	1
13	00-449113	Cable Assy. (Elevator).....	1
14	00-449114	Cable Assy. (Film Sensor).....	1
15	00-449112	Harness (Analog).....	1
16	00-449258	Cable Assy. CAN (To System Control Board).....	1
17	00-449119	Harness (12 Pos. Left).....	1
18	00-449117	Harness (15 Pos. Left).....	1
19	00-449145	Cable Assy. (Board Assy. NODE USB).....	1
20	00-441937-00003	Cable - USB (2.0 A-B) (15 Ft.).....	1
21	00-448961	Cable Assy. (170 VDC).....	1

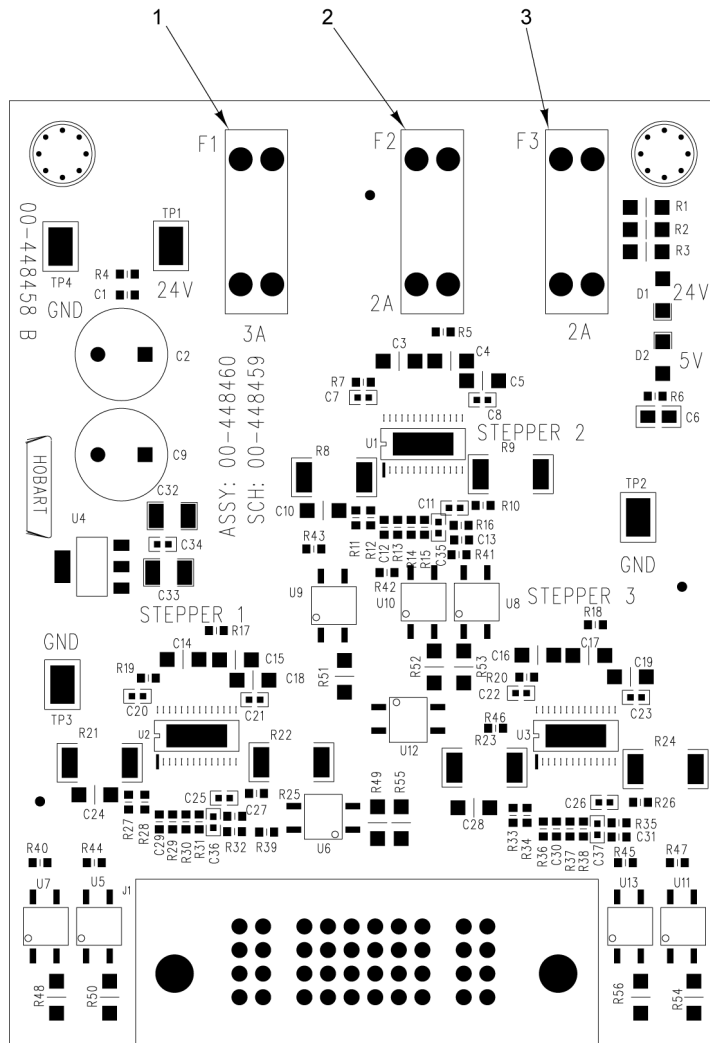


PL-61079

CONTROL BOX FUSES

CONTROL BOX FUSES

ILLUS. PL-61079	PART NO.	NAME OF PART	AMT.
1	00-449164-00002	Fuse (32 V., 2 Amp.) (Gripper Wide Valve) (F52).....	1
2	00-449164-00002	Fuse (32 V., 2 Amp.) (Gripper Narrow Valve) (F47).....	1
3	00-449164-00002	Fuse (32 V., 2 Amp.) (Film Selector Valve) (F50).....	1
4	00-449164-00002	Fuse (32 V., 2 Amp.) (Drain Valve) (F49).....	1
5	00-449164-00002	Fuse (32 V., 2 Amp.) (Manifold Dump Valve) (F54).....	1
6	00-449164-00005	Fuse (32 V., 5 Amp.) (24 VDC Power In) (F26).....	1
7	00-449164-00005	Fuse (32 V., 5 Amp.) (5 VDC) (F28).....	1
8	00-449164-00002	Fuse (32 V., 2 Amp.) (Spare Valve) (F55).....	1
9	00-449164-00002	Fuse (32 V., 2 Amp.) (Main Dump Valve) (F56).....	1
10	00-449164-00002	Fuse (32 V., 2 Amp.) (Upper Brake) (F48).....	1
11	00-449164-00002	Fuse (32 V., 2 Amp.) (Lower Brake) (F46).....	1
12	00-449164-00002	Fuse (32 V., 2 Amp.) (Side Clamp Valve) (F53).....	1
13	00-449164-00002	Fuse (32 V., 2 Amp.) (Knife Valve) (F51).....	1
14	00-449164-00002	Fuse (32 V., 2 Amp.) (Suction Valve) (F44).....	1
15	00-449164-00002	Fuse (32 V., 2 Amp.) (Suction Valve) (F30).....	1
16	00-449164-00002	Fuse (32 V., 2 Amp.) (Applier Valve) (F31).....	1
17	00-449164-00002	Fuse (32 V., 2 Amp.) (Applier Valve) (F43).....	1
18	00-441406-00001	Fuse (250 V., 1 Amp.) (170 VDC Detect) (F45).....	1
19	00-441406-00003	Fuse (250 V., 2 Amp.) (Side Underfolder Motor) (F9).....	1
20	00-441406-00003	Fuse (250 V., 2 Amp.) (Sealerbelt Motor) (F10).....	1
21	00-441406-00003	Fuse (250 V., 2 Amp.) (Rear Underfolder Motor) (F8).....	1
22	00-441406-00003	Fuse (250 V., 2 Amp.) (Secondary Intake Motor) (F7).....	1
23	00-441406-00005	Fuse (250 V., 3.15 Amp.) (Front Underfolder Motor) (F6).....	1
24	00-441406-00003	Fuse (250 V., 2 Amp.) (Pusher Motor) (F5).....	1
25	00-441406-00005	Fuse (250 V., 3.15 Amp.) (Gripper Motor) (F4).....	1
26	00-441406-00005	Fuse (250 V., 3.15 Amp.) (Side Clamp Motor) (F3).....	1
27	00-441406-00003	Fuse (250 V., 2 Amp.) (Primary Intake Motor) (F2).....	1
28	00-441406-00007	Fuse (250 V., 4 Amp.) (Elevator Motor) (F1).....	1

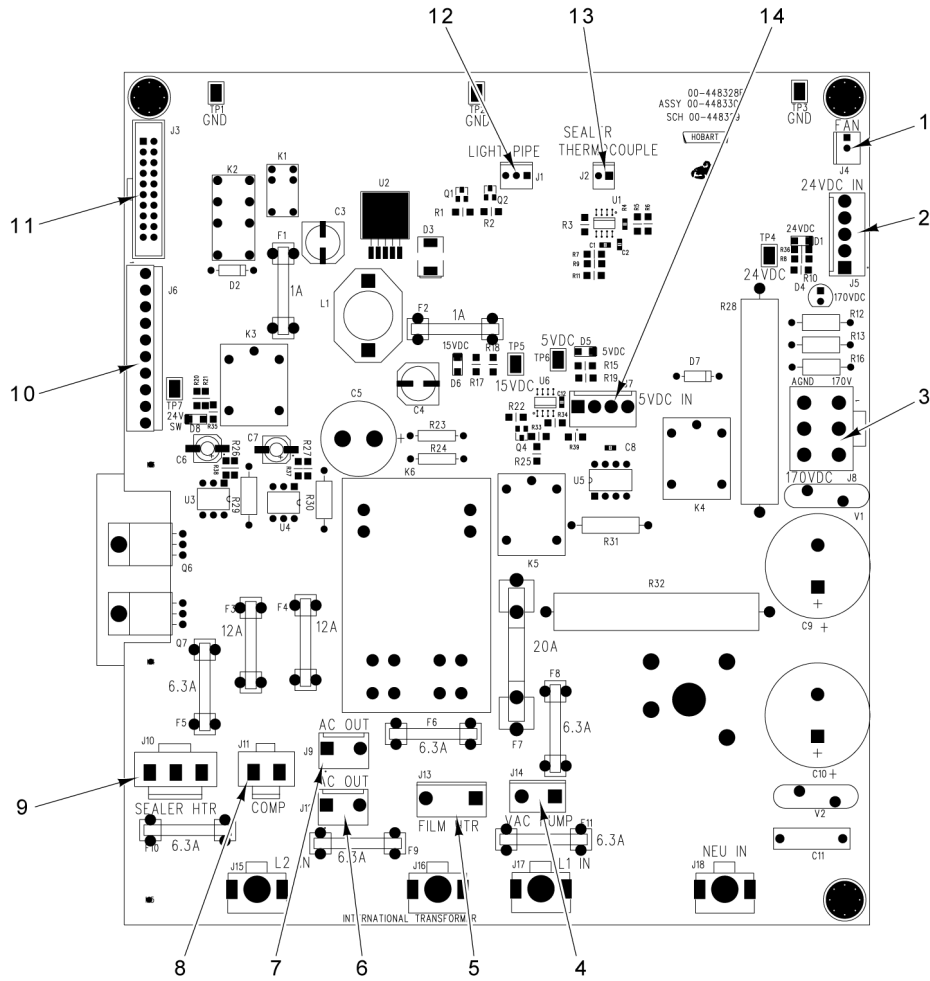


PL-61085

STEPPER BOARD FUSES

STEPPER BOARD FUSES

ILLUS.	PART NO.	NAME OF PART	AMT.
PL-61085			
1	00-449164-00003	Fuse (32 V., 3 Amp.) (Shifter Stepper Motor) (F1).....	1
2	00-449164-00002	Fuse (32 V., 2 Amp.) (Wand Stepper Motor) (F2).....	1
3	00-449164-00002	Fuse (32 V., 2 Amp.) (Label Rotation Stepper Motor) (F3).....	1



PL-61082

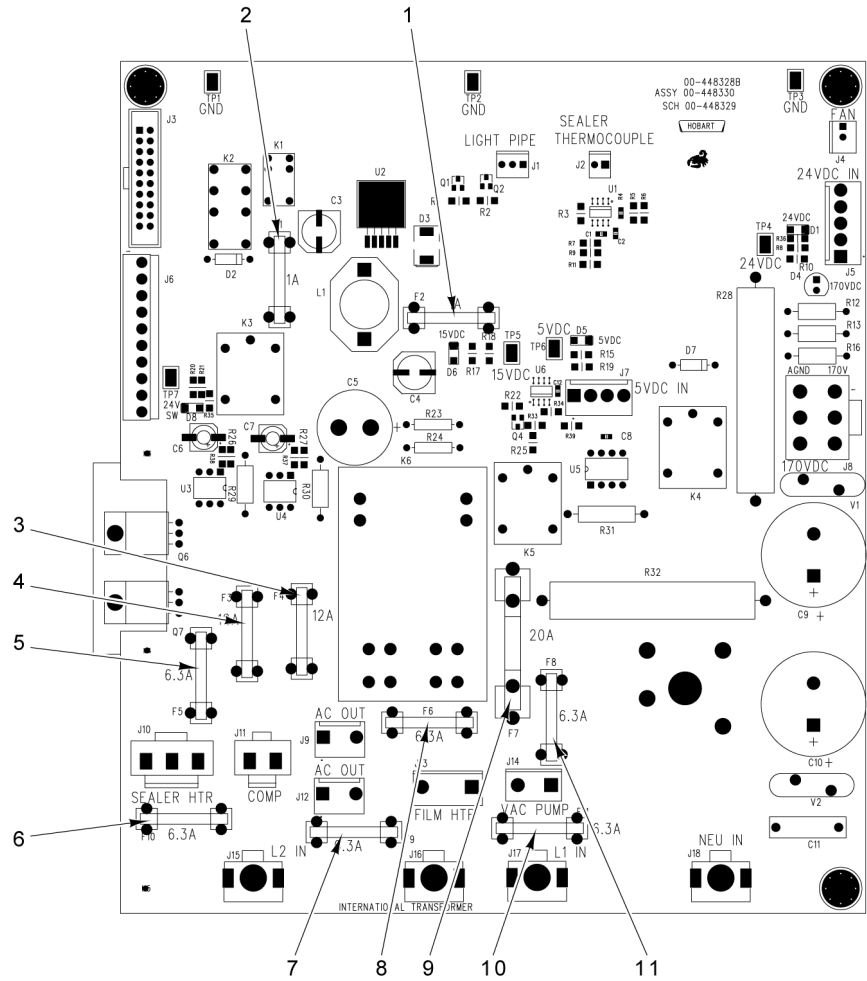
**POWER SUPPLY BOARD CABLES
(PREVIOUS CONSTRUCTION)**

**POWER SUPPLY BOARD CABLES
(PREVIOUS CONSTRUCTION)**

ILLUS.	PART NO.	NAME OF PART	AMT.
PL-61082			
1	00-444906	Fan Assy.....	1
2	00-448967	Cable Assy. (24 V. In).....	1
3	00-448961	Cable Assy. (170 V. to BP).....	1
4	00-449106	Cable Assy. (Vacuum Pump).....	1
5	00-446392	Cable Assy. (Film Heater).....	1
6	00-448968	Cable Assy. (220 VAC Out to 5 VDC Power Supply).....	1
7	00-448965	Cable Assy. (220 VAC Out to 24 VDC Power Supply).....	1
8	00-449104	Cable Assy. (Comp. Power).....	1
9	00-449105	Cable Assy. (Sealer Power).....	1
10	00-448962	Cable Assy. (Power Out).....	1
11	00-448963	Cable Assy. (IO Ribbon).....	1
12	00-449102	Cable Assy. (Light Pipe).....	1
13	00-449103	Cable Assy. (Thermocouple - Sealer).....	1
14	00-448969	Cable Assy. (5 V. DC In).....	1

**POWER SUPPLY BOARD CABLES
(CURRENT CONSTRUCTION)**

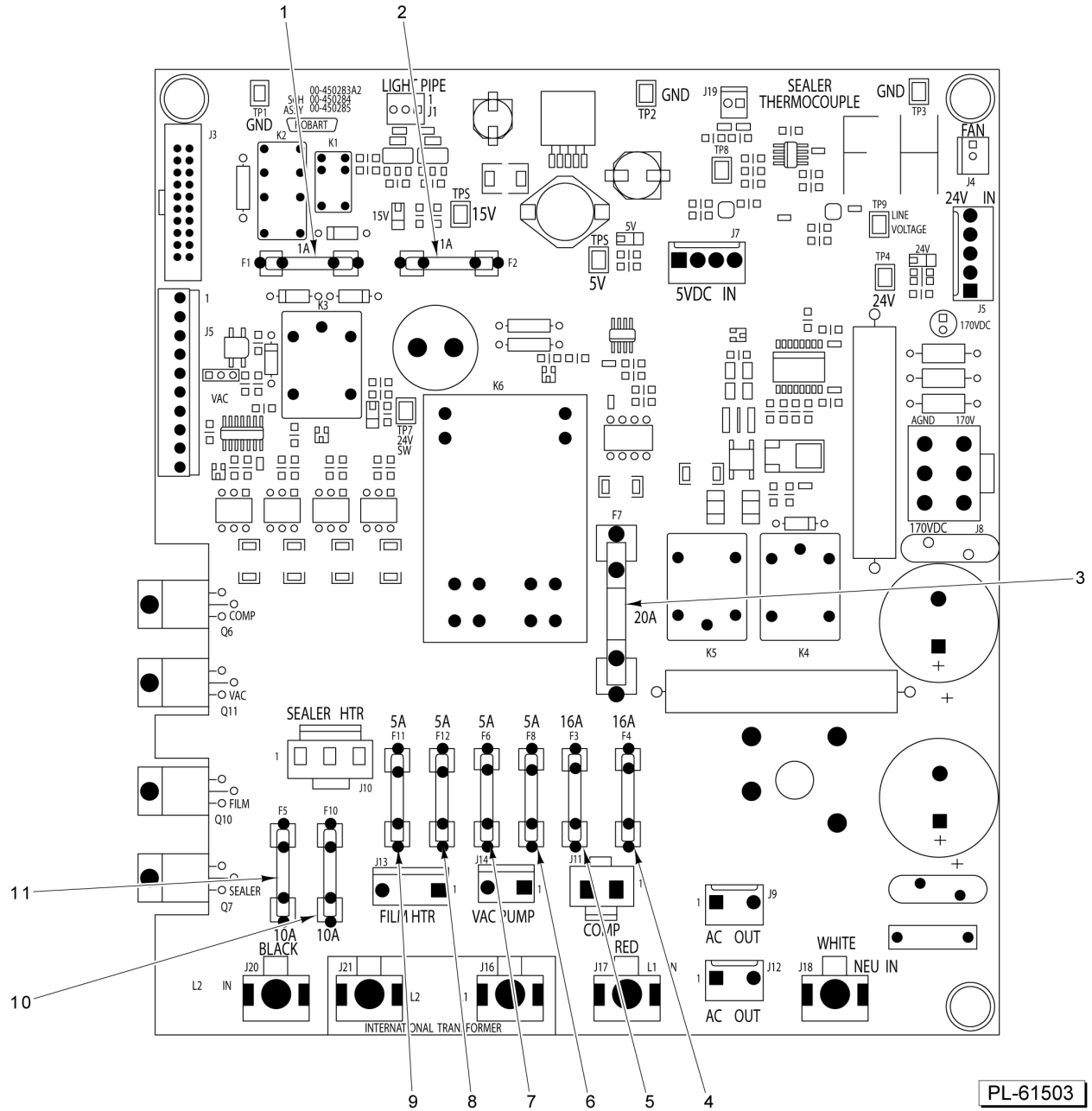
ILLUS.	PART NO.	NAME OF PART	AMT.
PL-61502			
1	00-444906	Fan Assy.....	1
2	00-448967	Cable Assy. (24V In).....	1
3	00-448961	Cable Assy. (170V to BP).....	1
4	00-449106	Cable Assy. (Vacuum Pump).....	1
5	00-446392	Cable Assy. (Film Heater).....	1
6	00-448968	Cable Assy. (220 VAC Out to 5 VDC Power Supply).....	1
7	00-448965	Cable Assy. (220 VAC Out to 24 VDC Power Supply).....	1
8	00-449104	Cable Assy. (Comp. Power).....	1
9	00-449105	Cable Assy. (Sealer Power).....	1
10	00-448962	Cable Assy. (Power Out).....	1
11	00-448963	Cable Assy. (IO Ribbon).....	1
12	00-449102	Cable Assy. (Light Pipe).....	1
13	00-449103	Cable Assy. (Thermocouple - Sealer).....	1
14	00-448969	Cable Assy. (5 V. DC In).....	1



**POWER SUPPLY BOARD FUSES
(PREVIOUS CONSTRUCTION)**

**POWER SUPPLY BOARD FUSES
(PREVIOUS CONSTRUCTION)**

ILLUS.	PART NO.	NAME OF PART	AMT.
PL-61080			
1	00-441406-00001	Fuse (250 V., 1 Amp.) (15 VDC Power Out) (F2).....	1
2	00-441406-00001	Fuse (250 V., 1 Amp.) (Interlock Chain) (F1).....	1
3	00-441406-00010	Fuse (250 V., 12 Amp.) (Compressor Power L1) (F4).....	1
4	00-441406-00010	Fuse (250 V., 12 Amp.) (Compressor Power L2) (F3).....	1
5	00-441406-00009	Fuse (250 V., 6.3 Amp.) (Sealer Heater Power L1) (F5).....	1
6	00-441406-00009	Fuse (250 V., 6.3 Amp.) (Sealer Heater Power L2) (F10).....	1
7	00-441406-00009	Fuse (250 V., 6.3 Amp.) (Film Heater Power L2) (F9).....	1
8	00-441406-00009	Fuse (250 V., 6.3 Amp.) (Vacuum Pump Power L2) (F6).....	1
9	00-443398	Fuse - F4, 3 AB Fast (250 V., 20 Amp.) (170 VDC) (F7).....	1
10	00-441406-00009	Fuse (250 V., 6.3 Amp.) (Film Heater Power L1) (F11).....	1
11	00-441406-00009	Fuse (250 V., 6.3 Amp.) (Vacuum Pump Power L1) (F8).....	1



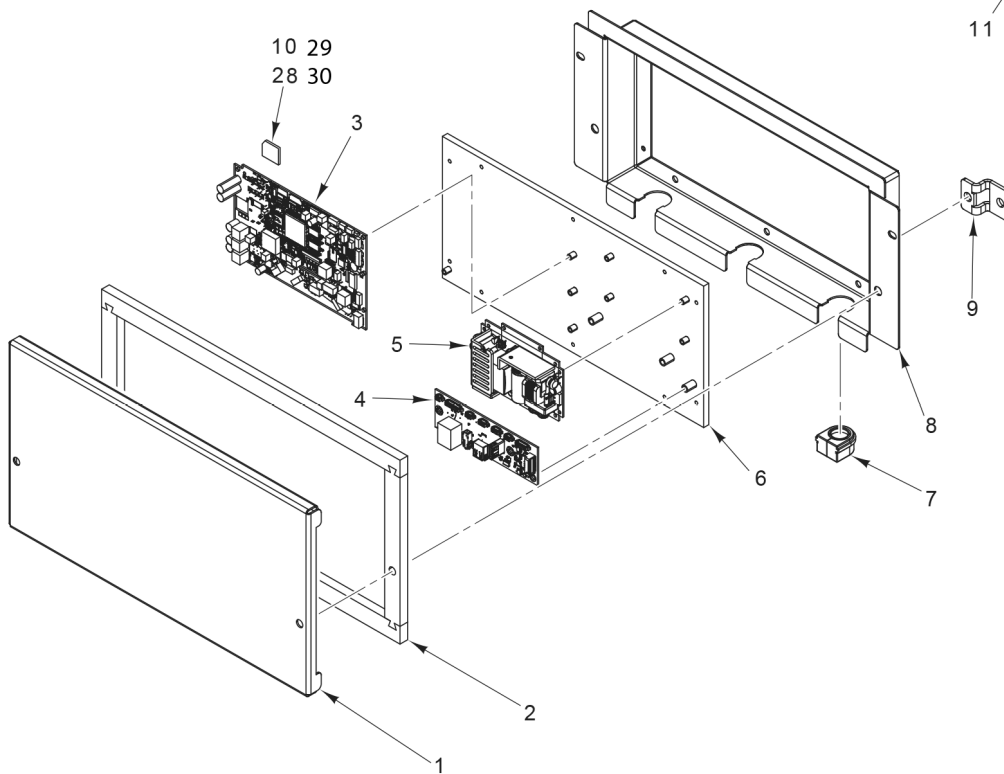
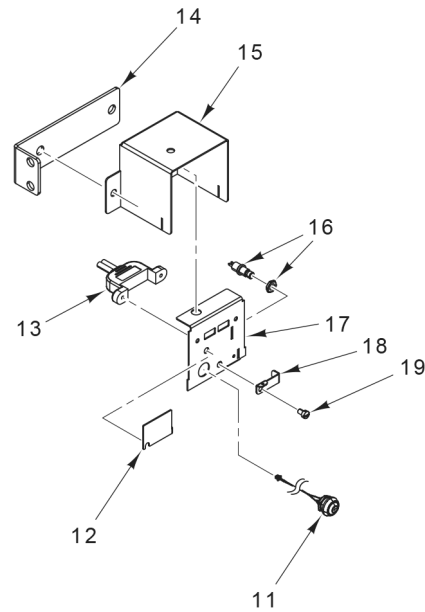
**POWER SUPPLY BOARD FUSES
(CURRENT CONSTRUCTION)**

**POWER SUPPLY BOARD FUSES
(CURRENT CONSTRUCTION)**

ILLUS.	PART NO.	NAME OF PART	AMT.
PL-61503			
1	00-441406-00001	Fuse (250 V., 1 Amp.) (15 VDC Power Out) (F2).....	1
2	00-441406-00001	Fuse (250 V., 1 Amp.) (Interlock Chain) (F1).....	1
3	00-443398	Fuse - F4, 3 AB Fast (250 V., 20 Amp.) (170 VDC) (3AB Fast) (F7).....	1
4	00-449997	Fuse (420 V., 16 Amp.) (Compressor Power L1) (F4).....	1
5	00-449997	Fuse (420 V., 16 Amp.) (Compressor Power L2) (F3).....	1
6	00-450001-00001	Fuse (250 V., 5 Amp.) (Vacuum Pump Power L1) (F8).....	1
7	00-450001-00001	Fuse (250 V., 5 Amp.) (Vacuum Pump Power L2) (F6).....	1
8	00-450001-00001	Fuse (250 V., 5 Amp.) (Film Heater Power L1) (F11).....	1
9	00-450001-00001	Fuse (250 V., 5 Amp.) (Film Heater Power L2) (F12).....	1
10	00-450001-00002	Fuse (250 V., 10 Amp) (Sealer Heater Power L1) (F5).....	1
11	00-450001-00002	Fuse (250 V., 10 Amp) (Sealer Heater Power L2) (F10).....	1

- | | | |
|----|-----------|----------------------------|
| 20 | 00-449261 | Cord (Printer to Console) |
| 21 | 00-449276 | Cable (USB, B to Mini) |
| 22 | 00-449277 | Cable Assy. (Ethernet Ext) |
| 23 | 00-447880 | Cable Assy. (Power) |
| 24 | 00-448995 | Cable Assy. (COM/Reset) |
| 25 | 00-447029 | Cable Assy. (Audio Cable) |
| 26 | 00-449431 | Antenna Assy. - WiFi |
| 27 | 00-447166 | Module (WiFi) |
| 31 | 00-450477 | Label, Wiring Diagram |

PARTS NOT ILLUSTRATED

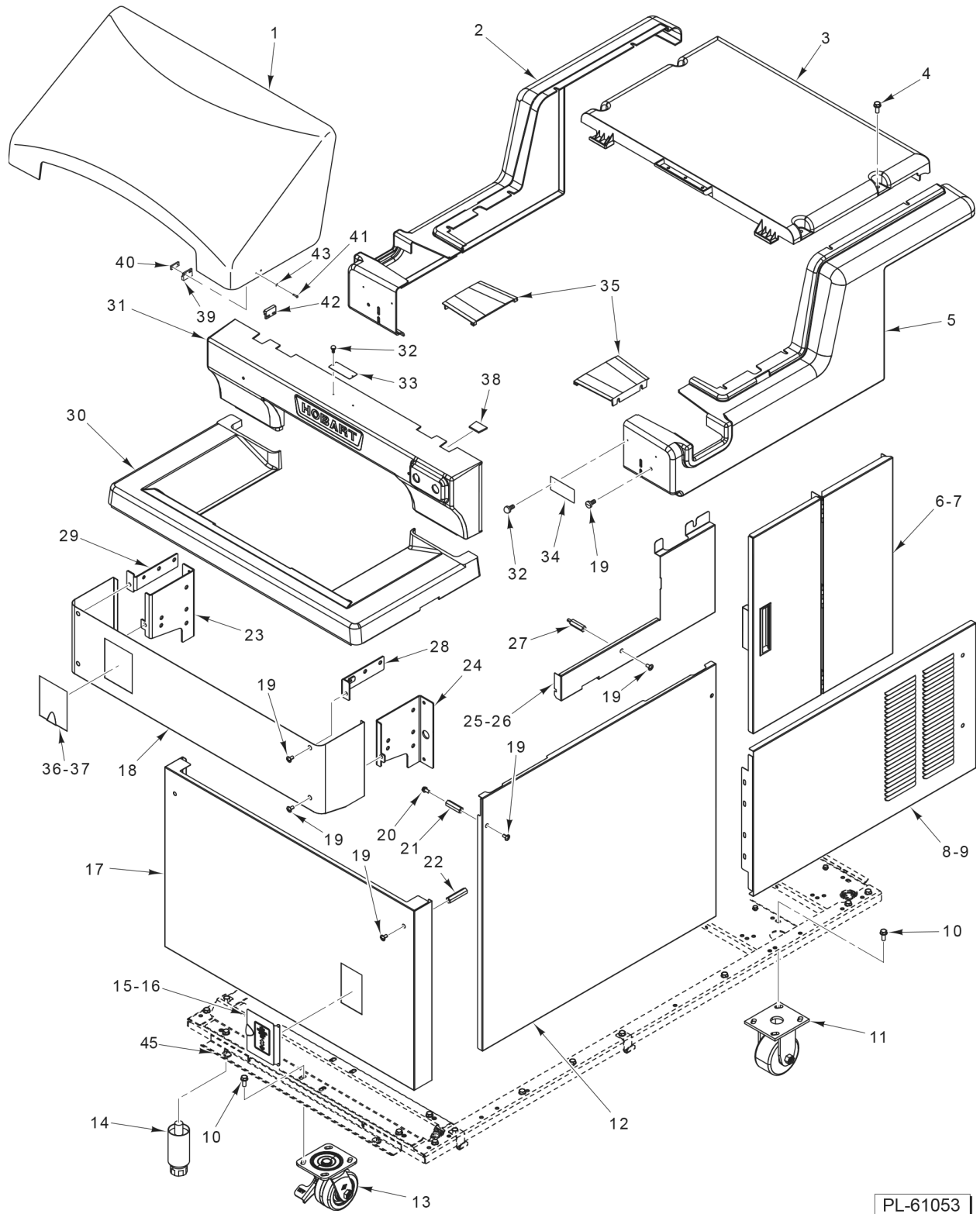


PL-61084

SIDE BOX AND HT SYSTEM CONTROL

SIDE BOX AND HT SYSTEM CONTROL

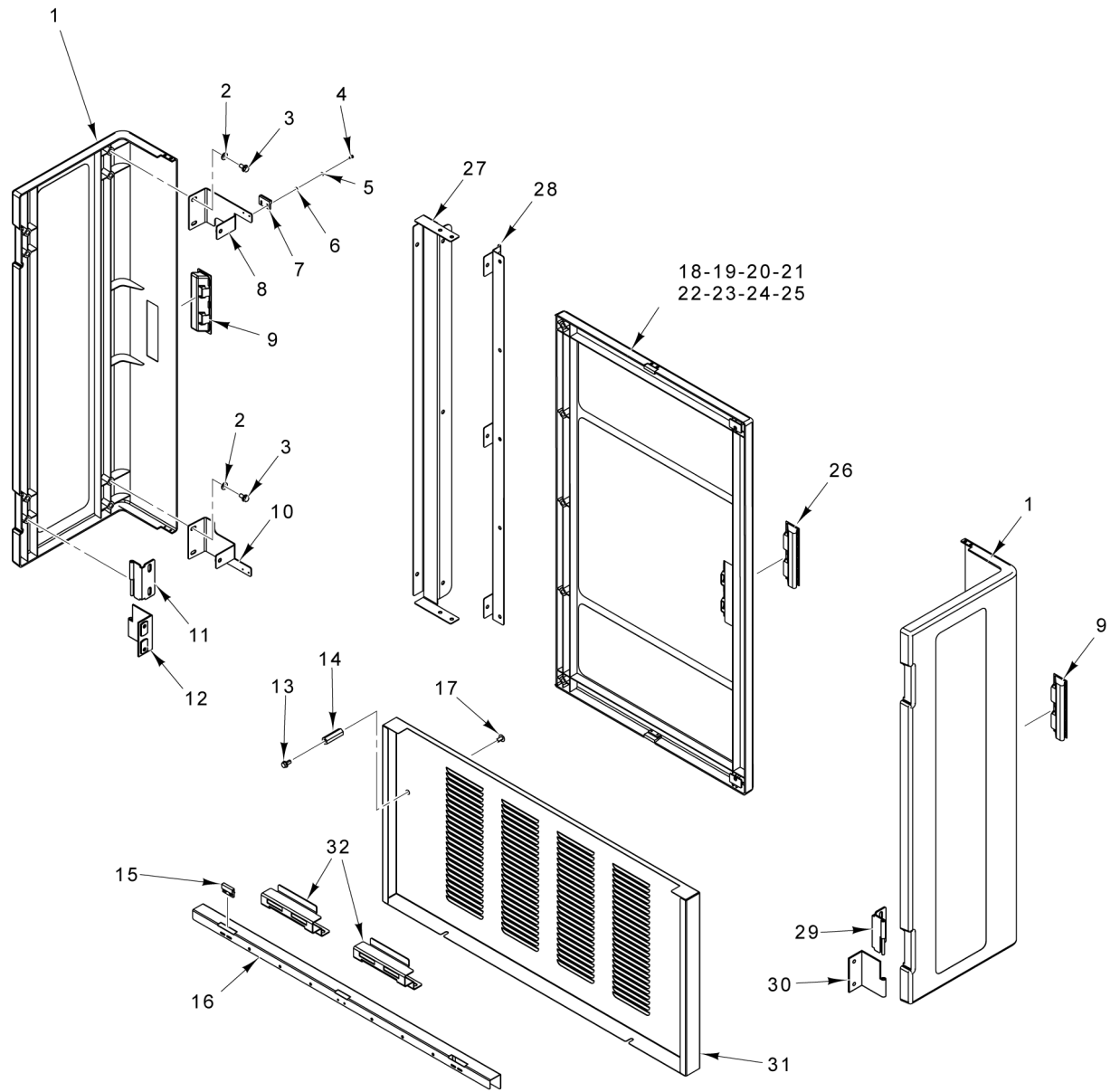
ILLUS.	PART NO.	NAME OF PART	AMT.
PL-61084			
1	00-448534	Cover - Board Box.....	1
2	00-448533	Gasket - Board Box.....	1
3	00-913102-00390	Kit - Board Assy. (Service U-Boot) (Incls. Items 29 -31).....	1
4	00-447990	Board Assy. (Connector).....	1
5	00-445283	Supply - Power (2 In. x 4 In.) (40 W., 24 V.).....	1
6	00-448528	Plate - Mounting.....	1
7	00-449598	Grommet.....	3
8	00-448530	Board Box.....	1
9	00-448535	Bracket - Board Box.....	1
10	00-448959-00021	Micro SD, Programmed, NGW (V 2.13.100).....	1
11	00-449248	Cable Assy. (30 In.) (Reset Switch).....	1
12	00-448543	Plate - USB Cover.....	1
13	00-449246	Cable (30 In.) (Dual USB).....	1
14	00-448546	Bracket - Mounting.....	1
15	00-448541	Box - Panel.....	1
16	00-448026	Cable Assy. (Panel Mount Service Switch).....	1
17	00-448547	Panel - Mounting.....	1
18	00-448542	Plate - Reset Cover.....	1
19	00-183906	Screw (Special Fil. Hd.).....	1
20	00-449261	Cord (AC) (Printer to Console).....	1
21	00-449276	Cable (USB-B to Mini).....	1
22	00-450274	Cable Assy, Ethernet Extension.....	1
23	00-447880	Cable Assy. (Power).....	1
24	00-448995	Cable Assy. (COM/Reset).....	1
25	00-447029	Cable Assy. (Audio).....	1
26	00-449431	Antenna Assy. - WIFI.....	1
27	00-447166	Module - WiFi.....	1
28	00-913102-00396	MICRO SD, PROG, NGW SERIES / PREPACK 4.0 (8 GB).....	1
29	00-450306	SERVICE, U-BOOT V2.X.X TO V3.6.8.....	AR
30	00-450455	SERVICE, U-BOOT V3.X.X TO V2.3.1.....	AR
31	00-450477	Label. Wiring Diagram. NGW Sise Box.....	1



SIDE PANELS

SIDE PANELS

ILLUS.	PART NO.	NAME OF PART	AMT.
PL-61053			
1	00-448504	Canopy.....	1
2	00-444056	Cover - Side (LH).....	1
3	00-448518	Cover - Top.....	1
4	SC-131-81	Mach. Screw 1/4-20 x 3/4 Cross Truss Hd. (SST).....	4
5	00-444057	Cover - Side (RH).....	1
6	00-444343	Cover - Side Door Assy.....	2
7	00-442435	Pull - Flush Door.....	2
8	00-448654	Cover - Right Side.....	1
9	00-448653	Cover - Left Side.....	1
10	SC-129-51	Cap Screw 5/16-18 x 3/4 Hex Washer Hd. (SST).....	AR
11	00-444676	Caster Fixed.....	2
12	00-448651	Cover - Side.....	2
13	00-447427	Caster - Swivel (With Brake).....	1
14	00-330866	Leg - Adjustable (4 In.).....	4
15	00-049038	Leg - Adjustable (6 In.) (Optional).....	4
16	00-449044	Door - Access.....	1
17	00-444524	Spring - Door.....	2
18	00-448650	Cover - Lower Front.....	1
19	00-448619	Cover - Intake (Front Wrap).....	1
20	SC-125-15	Mach. Screw 1/4-20 x 1/2 Phil. Truss Hd.....	AR
21	SC-129-49	Mach. Screw 1/4-20 x 1/2 Hex Washer Hd. (SST).....	AR
22	00-448649	Standoff.....	AR
23	00-448648	Standoff.....	AR
24	00-449301-00001	Bracket Assy.....	1
25	00-449301-00002	Bracket Assy.....	1
26	00-448655	Cover - Right Side.....	1
27	00-448661	Cover - Left Side.....	1
28	00-444448	Standoff - Side Cover.....	AR
29	00-446858	Bracket - Intake Mount (RH).....	1
30	00-446857	Bracket - Intake Mount (LH).....	1
31	00-448615	Cover - Intake.....	1
32	00-444333	Cover - Intake Panel.....	1
33	SD-033-56	Self-Tapping Screw #2 x 3/16 Rd. Hd., Type U (SST).....	4
34	00-438131-00007	Plate - Warning.....	1
35	00-438131-00009	Label - Warning.....	1
36	00-444058	Cover - Printer Mount.....	2
37	00-444515	Cover - Switch.....	1
38	00-448545	Spring.....	2
39	00-444352	Cover - Sensor.....	1
40	00-446772	Actuator - Magnet.....	1
41	00-183396	Plate - Screw Switch.....	1
42	SC-113-10	Mach. Screw 4-40 x 3/8 Phil. Pan Hd.....	2
43	00-443209	Interlock Assy. (12 In. Lead).....	1
44	WS-029-24	Washer.....	2
45	00-444286	Bracket - Cover Mounting.....	1

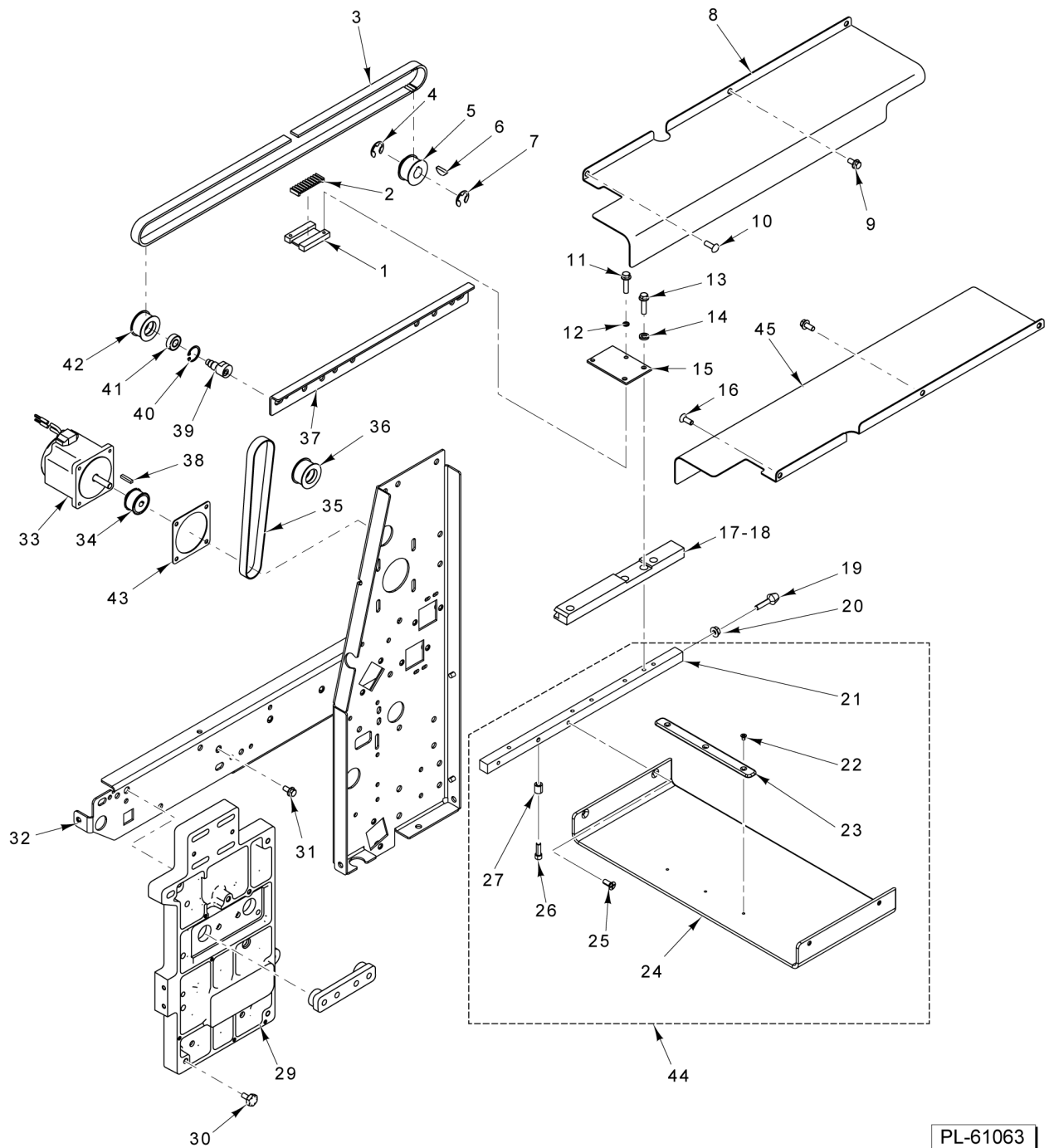


PL-61052

REAR PANELS

REAR PANELS

ILLUS. PL-61052	PART NO.	NAME OF PART	AMT.
1	00-446702	Kit - Corner Door (Incls. Items 2 thru 10, 16, & 32).....	2
2	WS-003-49	Washer 0.266 x 0.563 x 0.062 (SST).....	4
3	SC-129-49	Mach. Screw 1/4-20 x 1/2 Hex Washer Hd. (SST).....	4
4	SC-018-68	Mach. Screw 4-40 x 1/4 Phil. Pan Hd.....	2
5	WL-003-03	Lockwasher #4 Helical.....	2
6	WS-029-24	Washer.....	2
7	00-446772	Actuator - Magnet.....	1
8	00-446578	Bracket - Door Stop (RH Door - Lower; LH Door - Upper).....	1
9	00-442435	Pull - Flush Door.....	1
10	00-446579	Bracket - Door Stop (RH Door - Upper; LH Door - Lower).....	1
11	00-444062	Hinge - Male (LH).....	2
12	00-444060	Hinge - Female (LH).....	2
13	SC-129-49	Mach. Screw 1/4-20 x 1/2 Hex Washer Hd. (SST).....	AR
14	00-448649	Standoff.....	2
15	00-443209	Interlock Assy. (12 In. Lead).....	3
16	00-446664	Bracket - Switch Mounting.....	1
17	SC-053-41	Mach. Screw 1/4-20 x 1/2 Slotted Truss Hd. (SST).....	AR
18	00-446668	Door - Rear (Incls. Items 19 thru 26).....	1
19	00-446772	Actuator - Magnet.....	3
20	00-183396	Plate - Screw Switch.....	1
21	00-542796	Tape - Double Sided.....	AR
22	00-446594	Brace - Door.....	2
23	SC-021-02	Mach. Screw 4-40 x 1/2 Slotted Rd. Hd. (SST).....	2
24	WL-003-03	Lockwasher #4 Helical.....	2
25	WS-029-24	Washer.....	2
26	00-442435	Pull - Flush Door.....	1
27	00-445186	Bracket - Hinge Mounting.....	1
28	00-445188	Hinge - Rear Film Door.....	1
29	00-444063	Hinge - Male (RH).....	2
30	00-444061	Hinge - Female (RH).....	2
31	00-448652	Cover - Rear.....	1
32	00-446572	Bracket - Door Magnet.....	2

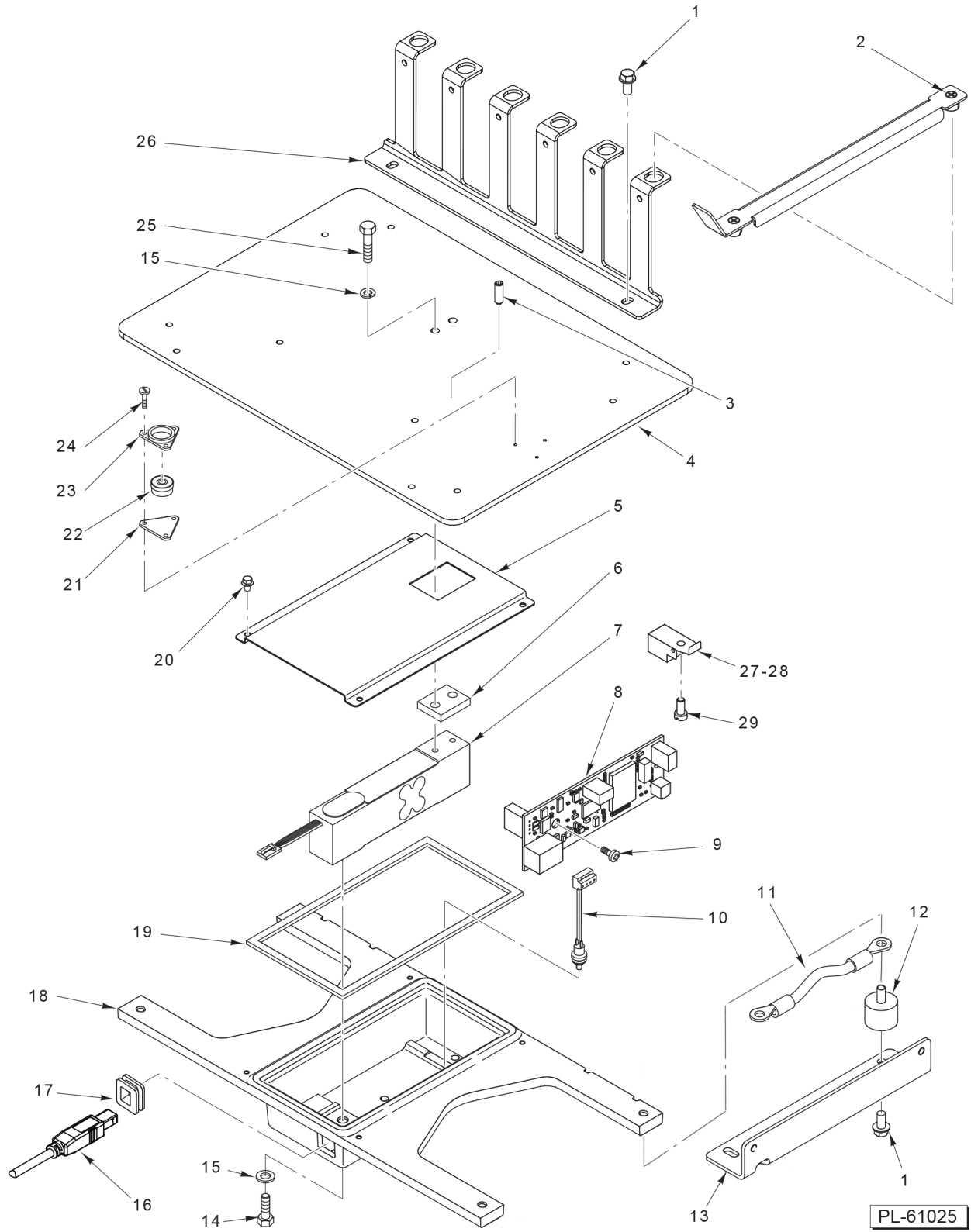


PL-61063

RIGHT FRONT FOLDER, SHUTTLE ASSEMBLY, AND REAR UNDERFOLDER MOTOR

RIGHT FRONT FOLDER, SHUTTLE ASSEMBLY, AND REAR UNDERFOLDER MOTOR

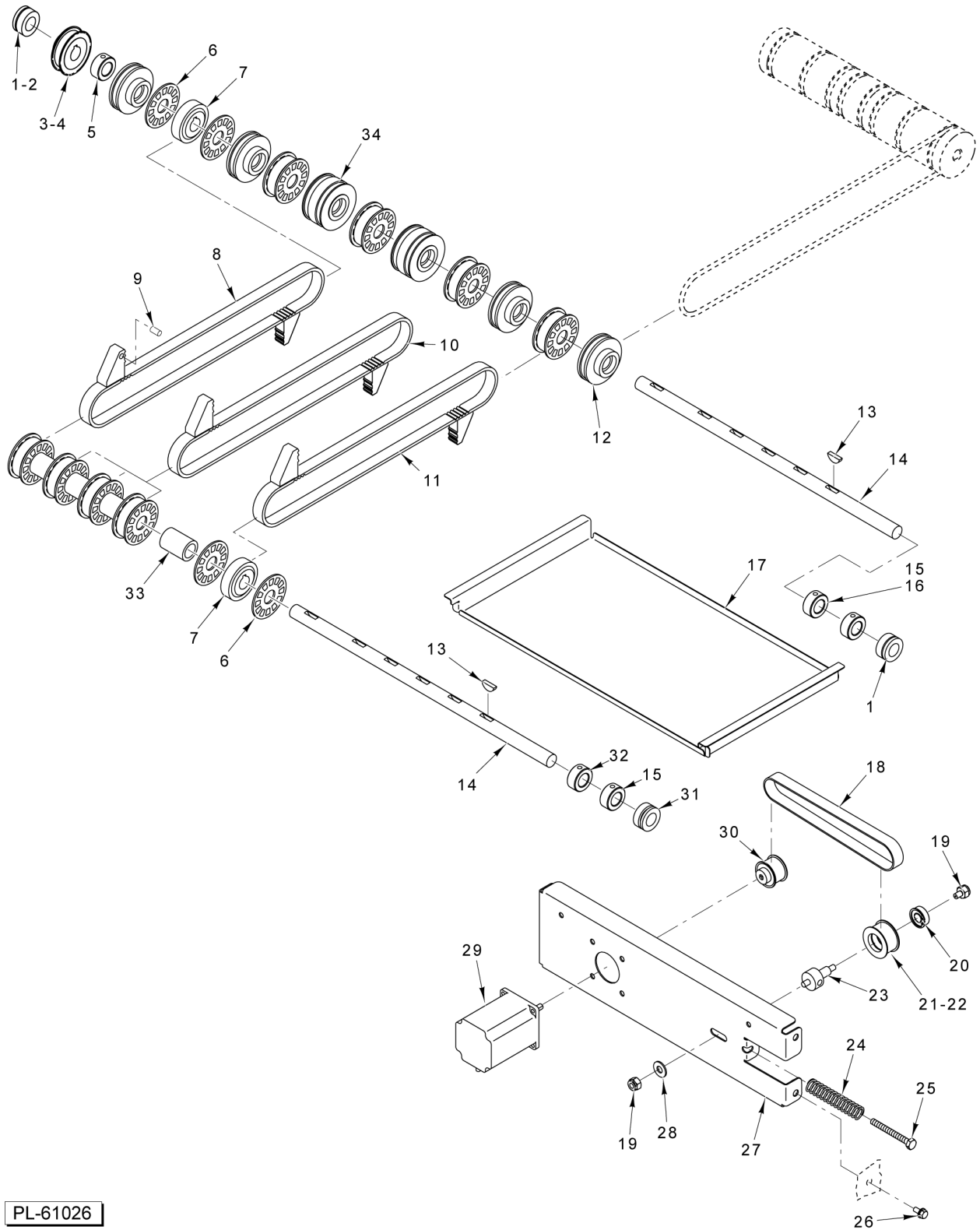
ILLUS.	PART NO.	NAME OF PART	AMT.
PL-61063			
1	00-444096	Block - Belt Clamp.....	1
2	00-443929	Retainer - Belt.....	1
3	00-446072-00004	Belt (Cut to Length, 232T = 45-5/8 In.).....	2
4	RR-012-04	Retaining Ring.....	1
5	00-443865	Pulley (22T).....	1
6	KW-004-05	Key - Woodruff 3/16 x 3/4 (SST).....	1
7	RR-012-04	Retaining Ring.....	1
8	00-443998	Shield - Belt Left.....	1
9	SC-129-49	Mach. Screw 1/4-20 x 1/2 Hex Washer Hd. (SST).....	4
10	SC-129-50	Mach. Screw 1/4-20 x 5/8 Hex Washer Hd. (SST).....	1
11	SC-116-32	Cap Screw 10-32 x 3/8 Hex Hd. (SST).....	2
12	WL-006-07	Lockwasher #10 Helical (SST).....	2
13	SC-059-30	Cap Screw 1/4-20 x 1 Hex Socket Hd. (SST).....	4
14	WL-006-17	Lockwasher 1/4 Helical (SST).....	4
15	00-444095	Bracket.....	1
16	SC-129-50	Mach. Screw 1/4-20 x 5/8 Hex Washer Hd. (SST).....	1
17	00-449745	Slide - Front Folder (LH) (Shown).....	1
18	00-449746	Slide - Front Folder (RH).....	1
19	00-443742	Bumper.....	4
20	NS-049-06	Lock Nut 1/4-20 (SST).....	2
21	00-449947	Bar Assy. Front Folder (Incls. Item 46).....	2
22	SC-119-14	Mach. Screw 8-32 x 1/4 Phil. Flat Hd. (SST).....	3
23	00-447668	Plate - Front Folder.....	1
24	00-446957	Folder - Front.....	1
25	SC-127-91	Mach. Screw 1/4-20 x 5/8 Phil. Flat Hd. (SST).....	4
26	SC-110-98	Cap Screw 1/4-20 x 3/4 Hex Socket Hd. (SST).....	2
27	00-444615	Spacer Assy. - Shuttle.....	2
28	00-444044	Mount - Slide Rods.....	1
29	00-443990	Support - Printer Display (RH).....	1
30	SC-129-54	Cap Screw 5/16-18 x 2-3/4 Hex Socket Hd. (SST).....	2
31	SC-129-51	Cap Screw 5/16-18 x 3/4 Hex Washer Hd. (SST).....	3
32	00-448647	Frame - Upper Right Rear.....	1
33	00-448372	Motor - Brushless (220 W.) (120 In. Motor Lead) (Rear Underfolder).....	1
34	00-443860	Pulley (16T).....	1
35	00-446216	Belt (450mm) (90T).....	1
36	00-444752	Pulley (36T).....	1
37	00-446024	Rail - Front Folder.....	1
38	KW-003-23	Key - Woodruff 3/32 x 5/8.....	1
39	00-446025	Shaft - Idler.....	1
40	RR-012-24	Retaining Ring.....	1
41	00-443943	Bearing - Ball.....	1
42	00-443866	Pulley - Idler.....	1
43	00-443963	Spacer - Motor Mounting.....	1
44	00-447280	Folder - Front Assy. (Incls. Items 21 thru 27).....	1
45	00-443999	Shield - Belt Right.....	1
46	00-946607	Magnet.....	1



SCALE PLATFORM

SCALE PLATFORM

ILLUS.	PART NO.	NAME OF PART	AMT.
PL-61025			
1	SC-129-49	Mach. Screw 1/4-20 x 1/2 Hex Washer Hd. (SST).....	AR
2	00-449045	Rod - Weigher Assy.....	8
3	SC-129-53	Set Screw 1/4-20 x 3/4 Hex Hdls., Dog Pt. (SST).....	6
4	00-448260	Support - Platter.....	1
5	00-443820	Cover - Loadcell.....	1
6	00-444701	Spacer - Loadcell.....	1
7	00-446240	Load Cell (20 kg).....	1
8	00-446167	Board Assy. - USB Weigher.....	1
9	SC-123-74	Mach. Screw 8-32 x 5/8 Phil. Pan Hd. (SST).....	1
10	00-444568	Switch Assy. - Push Button.....	1
11	00-183458	Cable Assy. - Ground.....	1
12	00-444038	Mount - Hinge.....	4
13	00-444971	Bracket - Scale Mounting.....	2
14	SC-109-47	Cap Screw 1/4-20 x 7/8 Hex Hd. (SST).....	2
15	WL-006-17	Lockwasher 1/4 Helical (SST).....	6
16	00-444818	Cable Assembly - USB 2.0 (15 Ft).....	1
17	00-444129	Seal - USB.....	1
18	00-444128	Support - Machined Loadcell.....	1
19	00-444641	Gasket - Loadcell Cover.....	1
20	SC-128-55	Mach. Screw 8-32 x 1/4 Hex Hd.....	4
21	00-049040	Gasket - Level Flange.....	1
22	00-043112	Level - Spirit.....	1
23	00-047276	Flange.....	1
24	SC-120-97	Mach. Screw 4-40 x 3/8 Slotted Flat Hd. (SST).....	3
25	SC-041-03	Cap Screw 1/4-20 x 1-1/8 Hex Hd. (SST).....	2
26	00-448256	Retainer - Platter.....	2
27	00-445153	Cover - Switch.....	1
28	00-444424	Seal - Wire Roto (8 In.).....	1
29	00-046869	Screw - Sealing 10-24 x 3/8 Slotted Fil. Hd.....	2

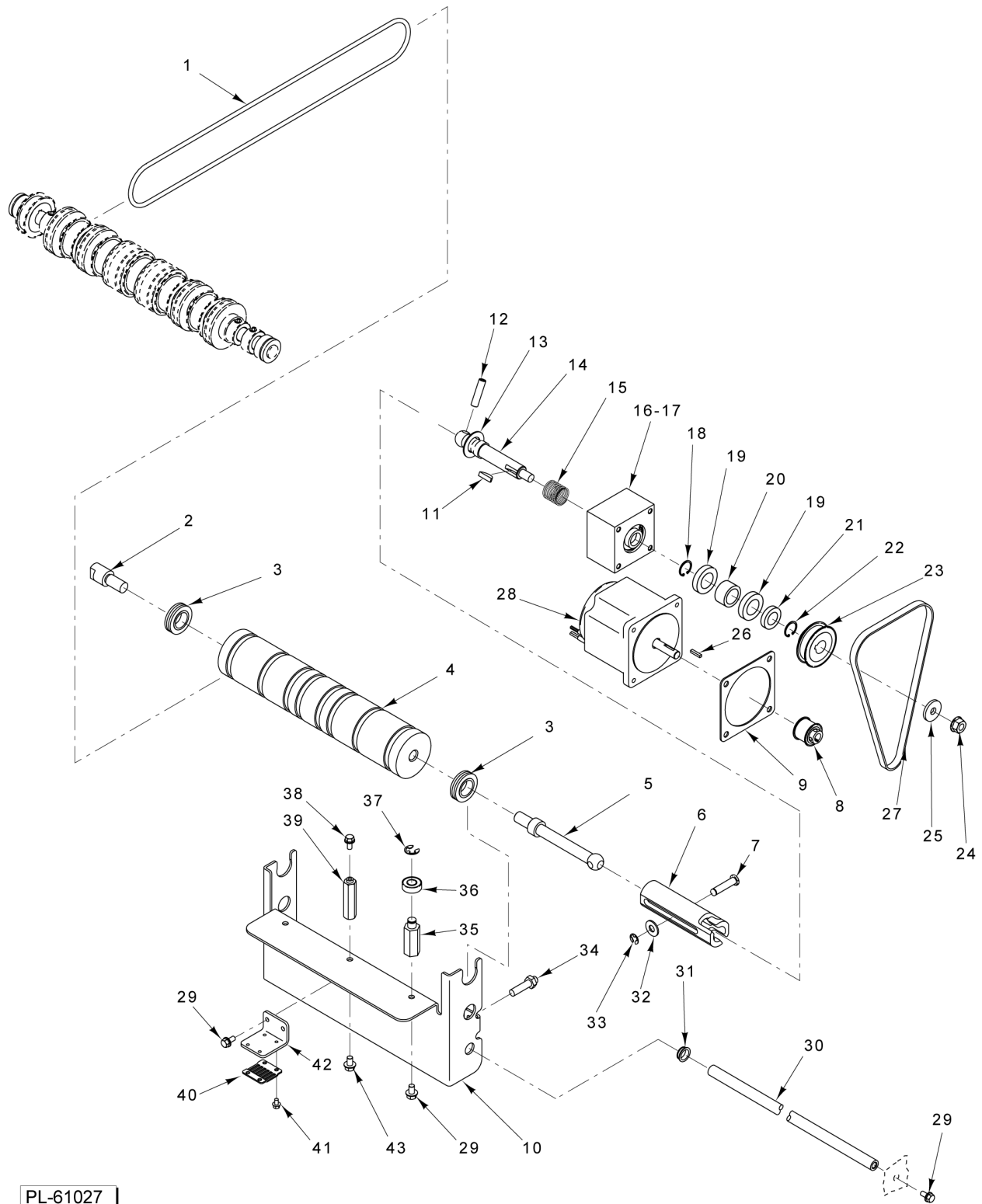


PL-61026

PRIMARY INTAKE AND SHIFTER

PRIMARY INTAKE AND SHIFTER

ILLUS. PL-61026	PART NO.	NAME OF PART	AMT.
1	00-448270	Bearing 5/8.....	1
2	SC-119-81	Set Screw 5/16-18 x 5/16 Hex Hdls. Cup Pt. (SST).....	1
3	00-443868	Pulley.....	1
4	SC-125-19	Set Screw 10-32 x 1/4 Hex Hdls., Cup Pt. (SST).....	1
5	00-443821	Collar 5/8 (SST).....	1
6	00-446785	Flange.....	10
7	00-446784	Pulley (5mm) (30T).....	5
8	00-443936	Belt - Intake (Includes item 9).....	1
9	00-946607	Magnet.....	2
10	00-445271	Belt - Intake (Gray).....	3
11	00-443937	Belt - Intake (White).....	1
12	00-443888	Pulley - Idler.....	4
13	KW-003-10	Key - Woodruff 3/16 x 3/4.....	1
14	00-443889	Shaft - Drive.....	1
15	00-443821	Collar 5/8 (SST).....	1
16	SC-119-81	Set Screw 5/16-18 x 5/16 Hex Hdls. Cup Pt. (SST).....	1
17	00-445503	Pan - Intake.....	1
18	00-446216	Belt (450mm) (90T).....	1
19	NS-036-19	Stop Nut 5/16-18 Hex (SST).....	4
20	00-443943	Bearing - Ball.....	1
21	RR-012-32	Retaining Ring.....	1
22	00-443866	Pulley - Idler.....	1
23	00-443900	Spacer - Idler.....	1
24	00-445948	Spring - Shift Belt.....	1
25	SC-129-52	Cap Screw 1/4-20 x 4-1/2 Hex Hd. (SST).....	1
26	SC-129-49	Mach. Screw 1/4-20 x 1/2 Hex Washer Hd. (SST).....	1
27	00-448269	Bracket Assy.....	1
28	WS-029-05	Washer 0.328 x 0.750 x 0.062 (SST).....	1
29	00-442248	Motor - Stepper (Shifter).....	1
30	00-443861	Pulley (18T).....	1
31	00-448282	Bearing 5/8.....	2
32	00-446082	Collar.....	2
33	00-446734	Spacer.....	4
34	00-443897	Pulley - Idler.....	2

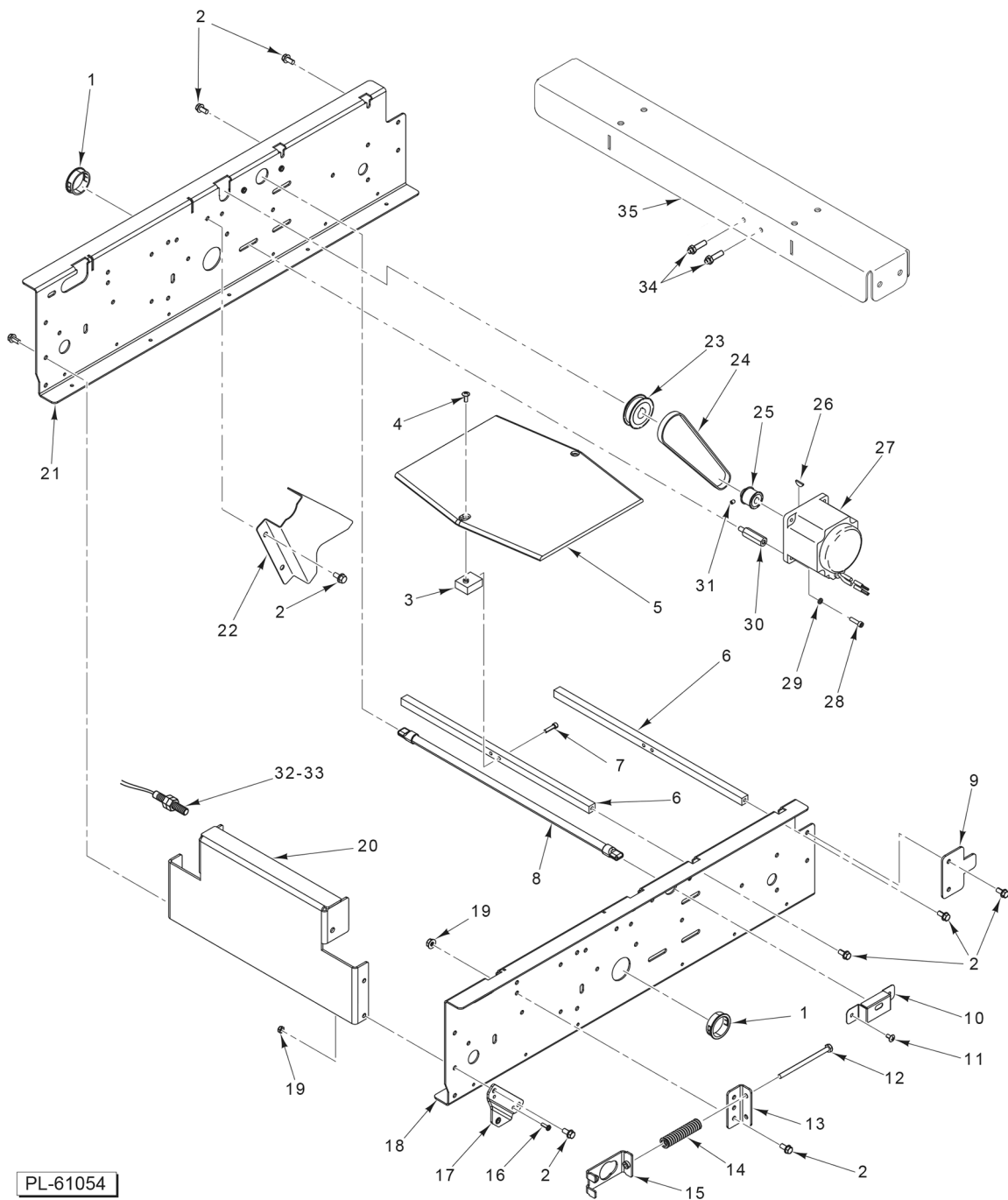


PL-61027

PRIMARY INTAKE SHIFT CONVEYOR AREA

PRIMARY INTAKE SHIFT CONVEYOR AREA

ILLUS.	PART NO.	NAME OF PART	AMT.
PL-61027			
1	00-448263	Belt - Intake Shift Conveyor.....	8
2	00-443883	Shaft (LH).....	1
3	00-443826	Bearing 3/4.....	1
4	00-443856	Roller - Conveyor.....	1
5	00-443859	Shaft - Drive.....	1
6	00-448277	Coupling - Intake Drive.....	1
7	00-443884	Pin - Clevis 5/16 (SST).....	1
8	00-443860	Pulley (16T).....	1
9	00-443963	Spacer - Motor Mounting.....	1
10	00-443857	Bracket - Slide.....	1
11	KW-004-05	Key - Woodruff 3/16 x 3/4 (SST).....	1
12	RP-006-42	Pin - Roll 0.312 x 1-1/4 (SST).....	1
13	00-444537	Washer.....	1
14	00-443964	Shaft - Drive (NLA - Order Assy. Item 17).....	1
15	00-444353	Spring - Shift Collar (NLA - order Assy. Item 17).....	1
16	00-443949	Block - Bearing Mount.....	1
17	00-444539	Drive Assy. - Conveyor (Includes items 11-25).....	1
18	RR-012-01	Retaining Ring.....	1
19	00-443950	Bearing.....	1
20	00-443961	Spacer - Bearing.....	1
21	00-443962	Spacer - Pulley.....	1
22	RR-012-01	Retaining Ring.....	1
23	00-445504	Pulley (30T).....	1
24	NS-038-10	Lock Nut 3/8-16 Hex.....	1
25	WS-028-37	Washer (SST).....	1
26	KW-003-23	Key - Woodruff 3/32 x 5/8.....	1
27	00-446220	Belt (535mm).....	1
28	00-448371	Motor - Brushless (220 W.) (82 In. Motor Lead) (10-Pole).....	1
29	SC-129-49	Mach. Screw 1/4-20 x 1/2 Hex Washer Hd. (SST).....	1
30	00-443858	Shaft.....	1
31	00-043411	Bearing (Nyliner).....	1
32	WS-029-05	Washer 0.328 x 0.750 x 0.062 (SST).....	1
33	RR-012-27	Retaining Ring.....	1
34	00-449945	Magnet Assy.....	1
35	00-448918	Stud - Eccentric.....	2
36	00-443943	Bearing - Ball.....	2
37	RR-009-10	Retaining Ring 3/8 In. (SST).....	2
38	SC-066-22	Mach. Screw 10-32 x 3/8 Phil. Truss Hd. (SST).....	1
39	00-443892	Pivot - Drive Post.....	1
40	00-443906	Clamp - Belt.....	1
41	SC-128-55	Mach. Screw 8-32 x 1/4 Hex Hd.....	4
42	00-443899	Bracket - Belt Mounting.....	1
43	SC-100-08	Mach. Screw 1/4-20 x 3/8 Hex Washer Hd.....	1

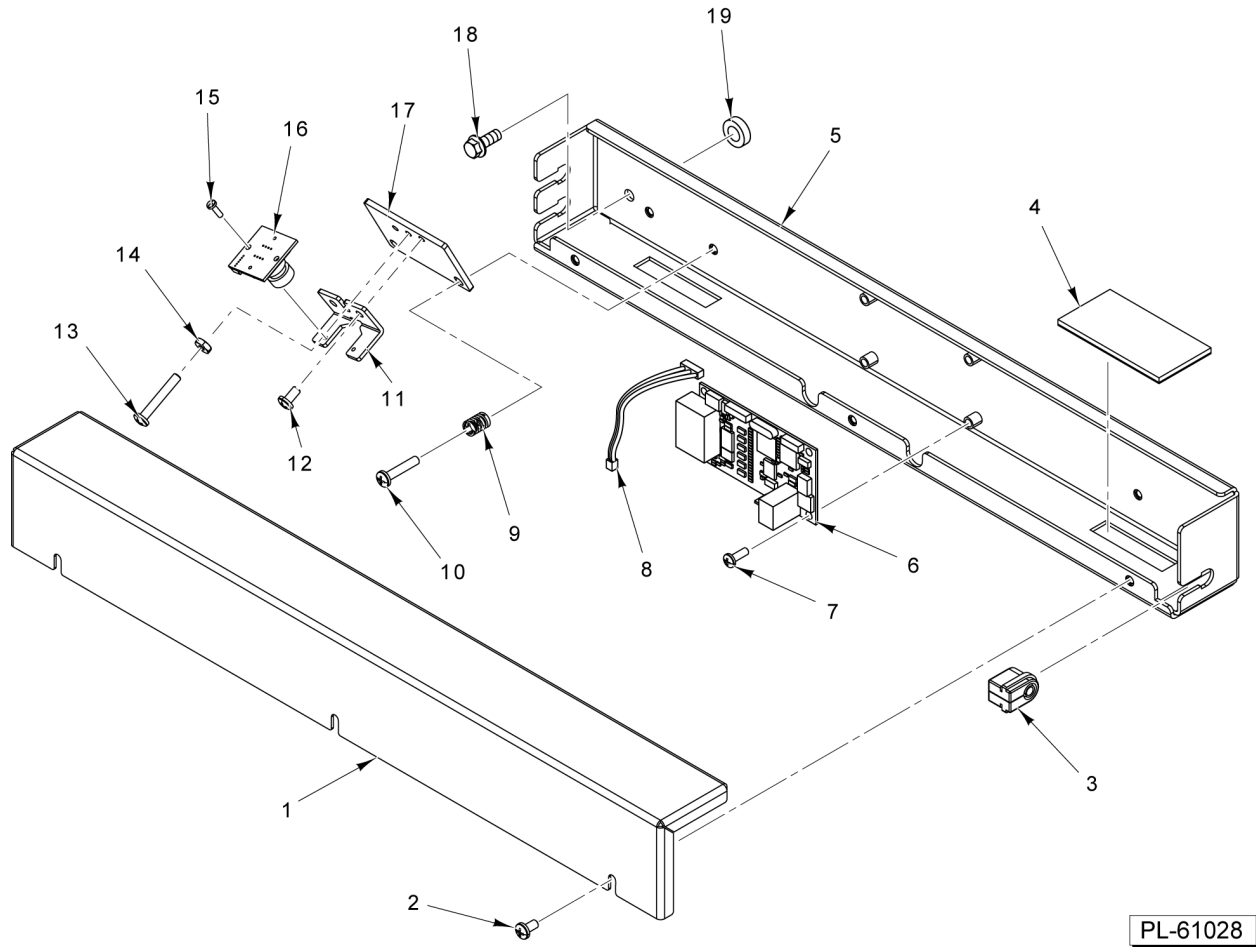


PL-61054

INTAKE FRAME

INTAKE FRAME

ILLUS.	PART NO.	NAME OF PART	AMT.
PL-61054			
1	FE-023-53	Bushing - Snap.....	2
2	SC-129-49	Mach. Screw 1/4-20 x 1/2 Hex Washer Hd. (SST).....	AR
3	00-443890	Block - Pivot.....	1
4	SC-066-20	Mach. Screw 10-32 x 1/2 Phil. Truss Hd. (SST).....	2
5	00-448262	Bed - Pivoting Conveyor.....	1
6	00-443886	Spacer.....	2
7	SC-059-17	Cap Screw 10-32 x 3/4 Hex Socket Hd. (SST).....	5
8	00-449146	Tube - Light Assy.....	1
9	00-448919	Bracket - Alignment.....	2
10	00-446516	Bracket - Light Tube.....	2
11	SC-066-22	Mach. Screw 10-32 x 3/8 Phil. Truss Hd. (SST).....	4
12	SC-126-67	Mach. Screw 1/4-20 x 4.....	2
13	00-448264	Bracket - Tensioner.....	2
14	00-445326	Spring - Weigher Belt.....	2
15	00-448265	Bracket - Tensioner.....	2
16	SC-093-04	Mach. Screw 8-32 x 1/2 Phil. Pan Hd. (SST).....	2
17	00-444459	Bracket Assy. - Intake Mounting.....	2
18	00-448252	Frame - Conveyor (RH).....	1
19	NS-049-06	Lock Nut 1/4-20 (SST).....	AR
20	00-448255	Guard - Mercer.....	1
21	00-448251	Frame - Conveyor (LH).....	1
22	00-443894	Guard Assy. - Belt.....	1
23	00-443868	Pulley.....	1
24	00-448268	Belt - Weigher (350mm) (70T).....	1
25	00-443860	Pulley (16T).....	1
26	KW-004-09	Key - Woodruff.....	1
27	00-443220	Motor - Brushless (220 W.).....	1
28	SC-059-17	Cap Screw 10-32 x 3/4 Hex Socket Hd. (SST).....	4
29	WL-006-07	Lockwasher #10 Helical (SST).....	4
30	00-443851	Spacer - Motor.....	3
31	SC-125-19	Set Screw 10-32 x 1/4 Hex Hdls., Cup Pt. (SST).....	2
32	00-448755	Sensor - Position.....	1
33	NS-018-10	Jam Nut 5/16-24 Hex (SST).....	1
34	00-448755	Sensor - Position.....	2
35	00-446036	Support - Intake Assy.....	1

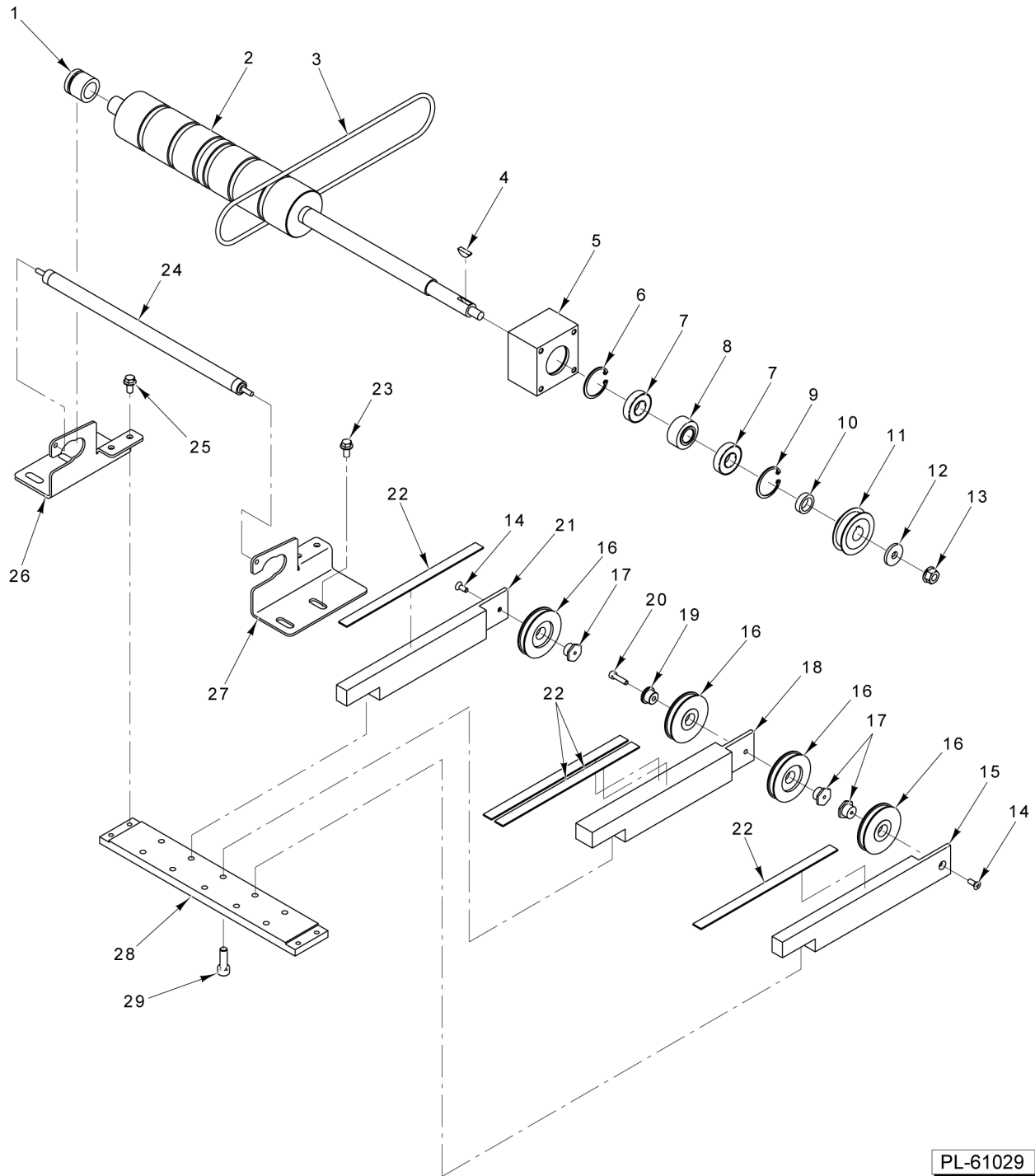


PL-61028

CAMERA ENCLOSURE

CAMERA ENCLOSURE

ILLUS. PL-61028	PART NO.	NAME OF PART	AMT.
1	00-446181	Cover - Camera.....	1
2	SC-018-25	Mach. Screw 10-32 x 3/8 Phil. Pan Hd.....	3
3	00-443881	Grommet.....	3
4	00-446233	Lens Assy. (Incls. Gasket).....	2
5	00-446180	Enclosure - Camera.....	1
6	00-449140	Board Assy. - Sensor Control.....	1
7	SC-018-34	Mach. Screw 8-32 x 1/2 Phil. Pan Hd.....	4
8	00-443199-00001	Cable (Camera-to-Camera Board).....	2
9	00-444443	Spring - Compression.....	4
10	SC-125-69	Mach. Screw 10-32 x 1 Phil. Pan Hd.....	4
11	00-446178	Bracket - Camera.....	2
12	SC-018-25	Mach. Screw 10-32 x 3/8 Phil. Pan Hd.....	4
13	SC-125-71	Mach. Screw 10-32 x 1-1/4 Phil. Pan Hd. (SST).....	2
14	NS-011-23	Nut 10-32 Hex (SST).....	2
15	SC-113-10	Mach. Screw 4-40 x 3/8 Phil. Pan Hd.....	4
16	00-449885	Board Assy, Sensor Array Camera.....	2
17	00-446179	Bracket - Angle Adjustment.....	2
18	SC-129-50	Mach. Screw 1/4-20 x 5/8 Hex Washer Hd. (SST).....	2
19	00-444445	Spacer.....	2

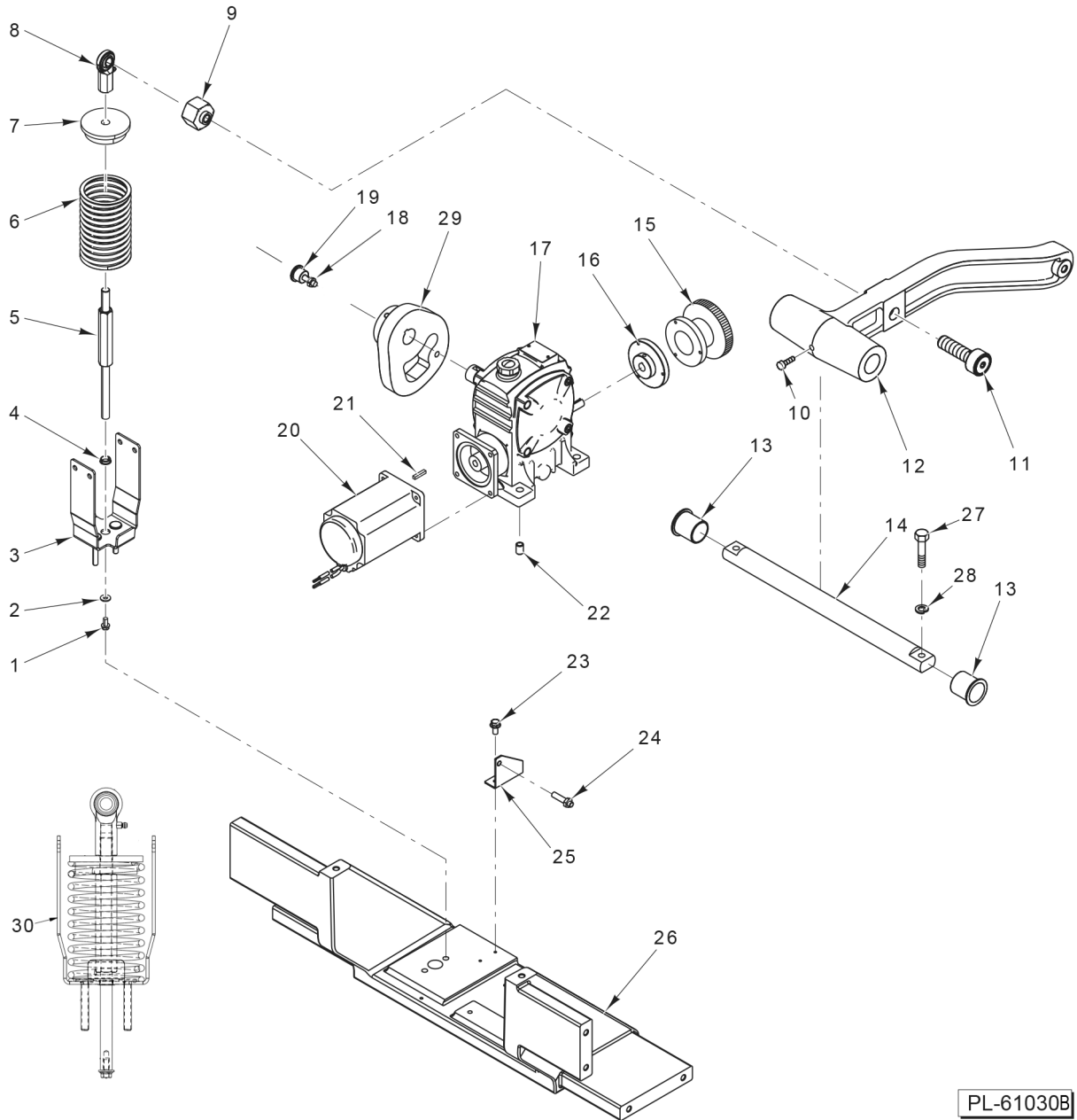


PL-61029

ELEVATOR CONVEYOR ASSEMBLY

ELEVATOR CONVEYOR ASSEMBLY

ILLUS.	PART NO.	NAME OF PART	AMT.
PL-61029			
1	00-443960	Bearing (5/8).....	1
2	00-444463	Roller Assy.....	1
3	00-443948	Belt - Elevator Conveyor.....	6
4	KW-004-05	Key - Woodruff 3/16 x 3/4 (SST).....	1
5	00-443949	Block - Bearing Mount.....	1
6	RR-012-01	Retaining Ring.....	1
7	00-443950	Bearing.....	4
8	00-443961	Spacer - Bearing.....	1
9	RR-012-01	Retaining Ring.....	1
10	00-443962	Spacer - Pulley.....	1
11	00-445504	Pulley (30T).....	1
12	WS-028-37	Washer (SST).....	1
13	NS-038-10	Lock Nut 3/8-16 Hex.....	1
14	SC-114-99	Mach. Screw 10-32 x 1/2 Phil. Flat Hd. (SST).....	4
15	00-443952	Rail (RH).....	2
16	00-443954	Pulley - Idler.....	6
17	00-443953	Stud - Pulley Mounting.....	5
18	00-443958	Rail - Center.....	1
19	00-443959	Stud - Pulley.....	1
20	SC-059-17	Cap Screw 10-32 x 3/4 Hex Socket Hd. (SST).....	1
21	00-443951	Rail (LH).....	2
22	00-443957	Wearstrip.....	4
23	SC-129-49	Mach. Screw 1/4-20 x 1/2 Hex Washer Hd. (SST).....	2
24	00-443955	Roller.....	1
25	SC-129-49	Mach. Screw 1/4-20 x 1/2 Hex Washer Hd. (SST).....	4
26	00-447254	Bracket - Conveyor (LH).....	1
27	00-447253	Bracket - Conveyor (RH).....	1
28	00-447255	Bar - Conveyor.....	1
29	SC-129-73	Mach. Screw 1/4-20 x 1 Hex Washer Hd. (SST).....	10

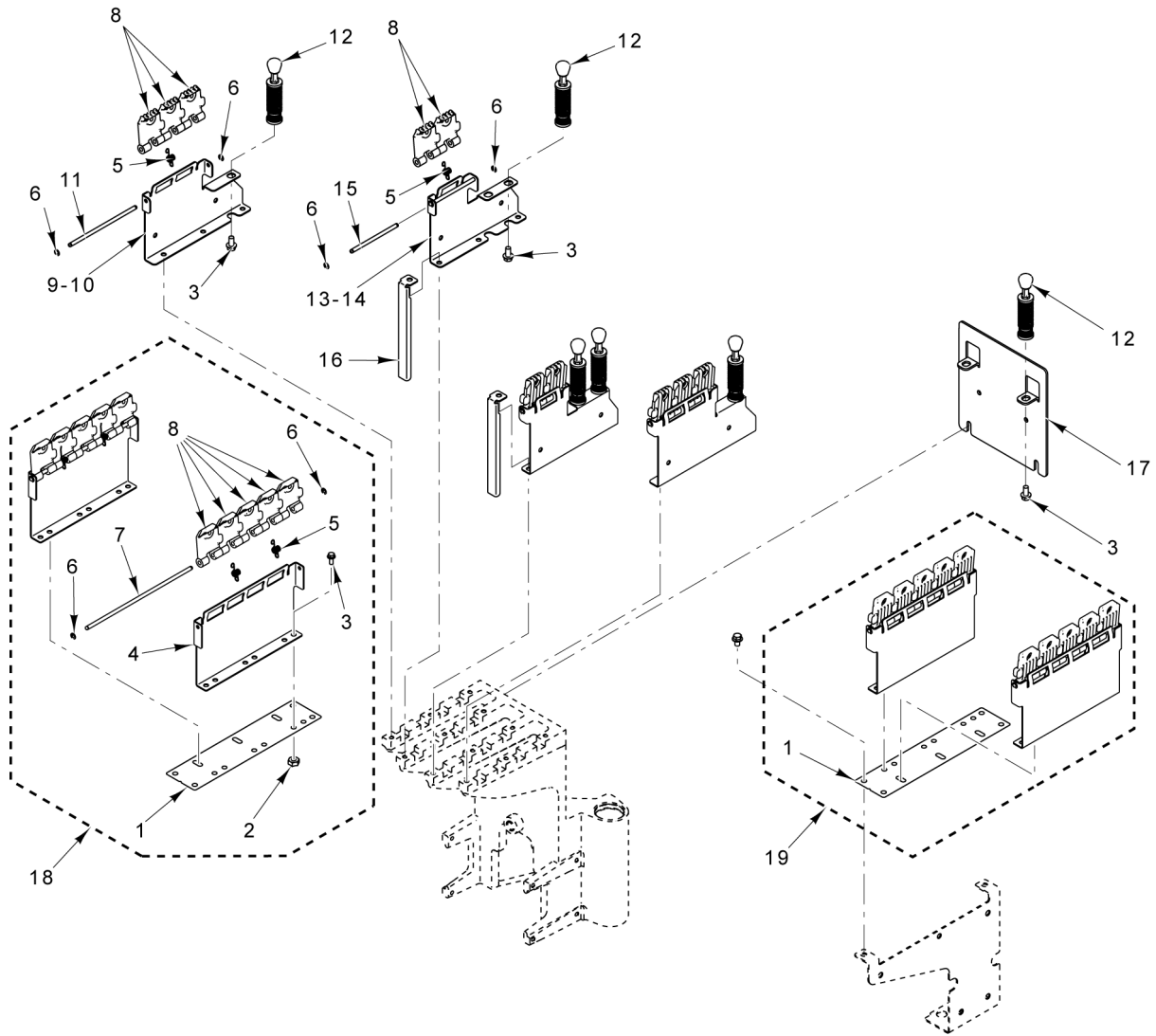


PL-61030B

ELEVATOR MOTOR

ELEVATOR MOTOR

ILLUS.	PART NO.	NAME OF PART	AMT.
PL-61030			
1	SC-129-49	Mach. Screw 1/4-20 x 1/2 Hex Washer Hd. (SST).....	1
2	WS-031-37	Washer (SST).....	1
3	00-444391	Bracket Assy. - Spring.....	1
4	00-043411	Bearing (Nyliner).....	1
5	00-444393	Link - Spring.....	1
6	00-444392	Spring - Elevator.....	1
7	00-444390	Plate - Spring Mounting.....	1
8	00-444380	End - Rod 1/2-20 (RH).....	1
9	00-445951	Nut - Cam Follower.....	1
10	00-445241	Fitting - Grease.....	1
11	00-445950	Bearing - Cam Follower 5/8-18.....	1
12	00-445827	Lever Assy. - Elevator (Incls. Items 9, 10, 11, & 13).....	1
13	00-444386	Bearing - Flanged 1-1/4.....	2
14	00-444387	Shaft - Elevator Lever.....	1
15	00-442492	Wheel - Hand.....	1
16	00-444388	Hub - Handwheel.....	1
17	00-444117	Gear - Reducer.....	1
18	NS-048-40	Lock Nut 5/16-18 Flange (SST) (Use with item 19).....	1
19	00-449918	Magnet Assy., Elevator Cam.....	1
20	00-446035	Motor - Brushless (660 W.) (54 In. Motor Lead).....	1
21	KW-003-23	Key - Woodruff 3/32 x 5/8.....	1
22	00-444786	Spacer - Gearbox.....	4
23	SC-129-49	Mach. Screw 1/4-20 x 1/2 Hex Washer Hd. (SST).....	2
24	00-448755	Sensor - Position.....	1
25	00-445615	Bracket - Home Switch.....	1
26	00-444234	Mount - Gearmotor.....	1
27	SC-041-32	Cap Screw 3/8-16 x 1-1/2 Hex Hd. (SST).....	2
28	WL-006-28	Lockwasher 3/8 Helical.....	2
29	00-444987	Cam - Elevator.....	1
30	00-444389	Spring Assy. (Incls. Items 1 - 8).....	1

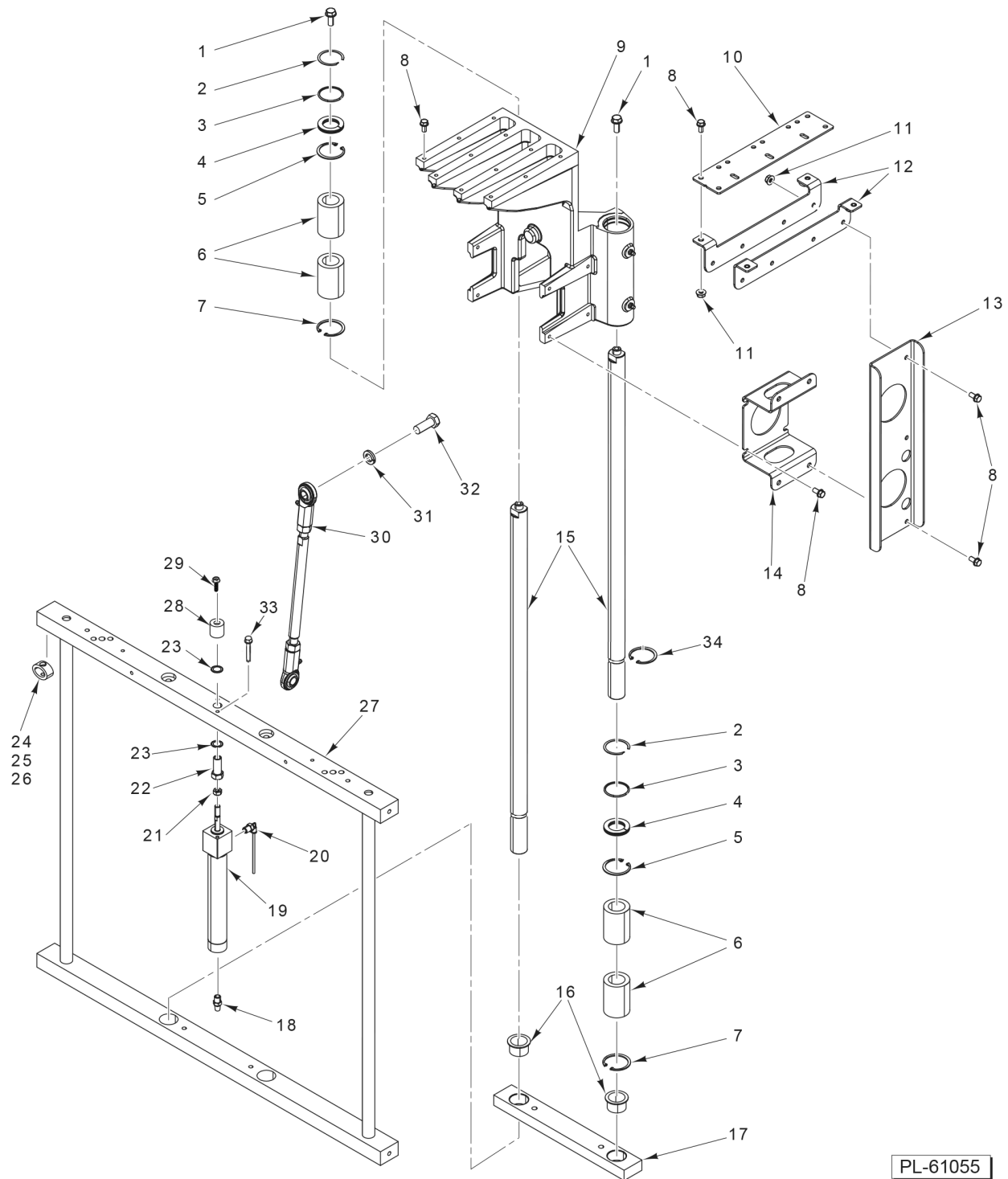


PL-61031

ELEVATOR SLAT AND POST ASSEMBLY

ELEVATOR SLAT AND POST ASSEMBLY

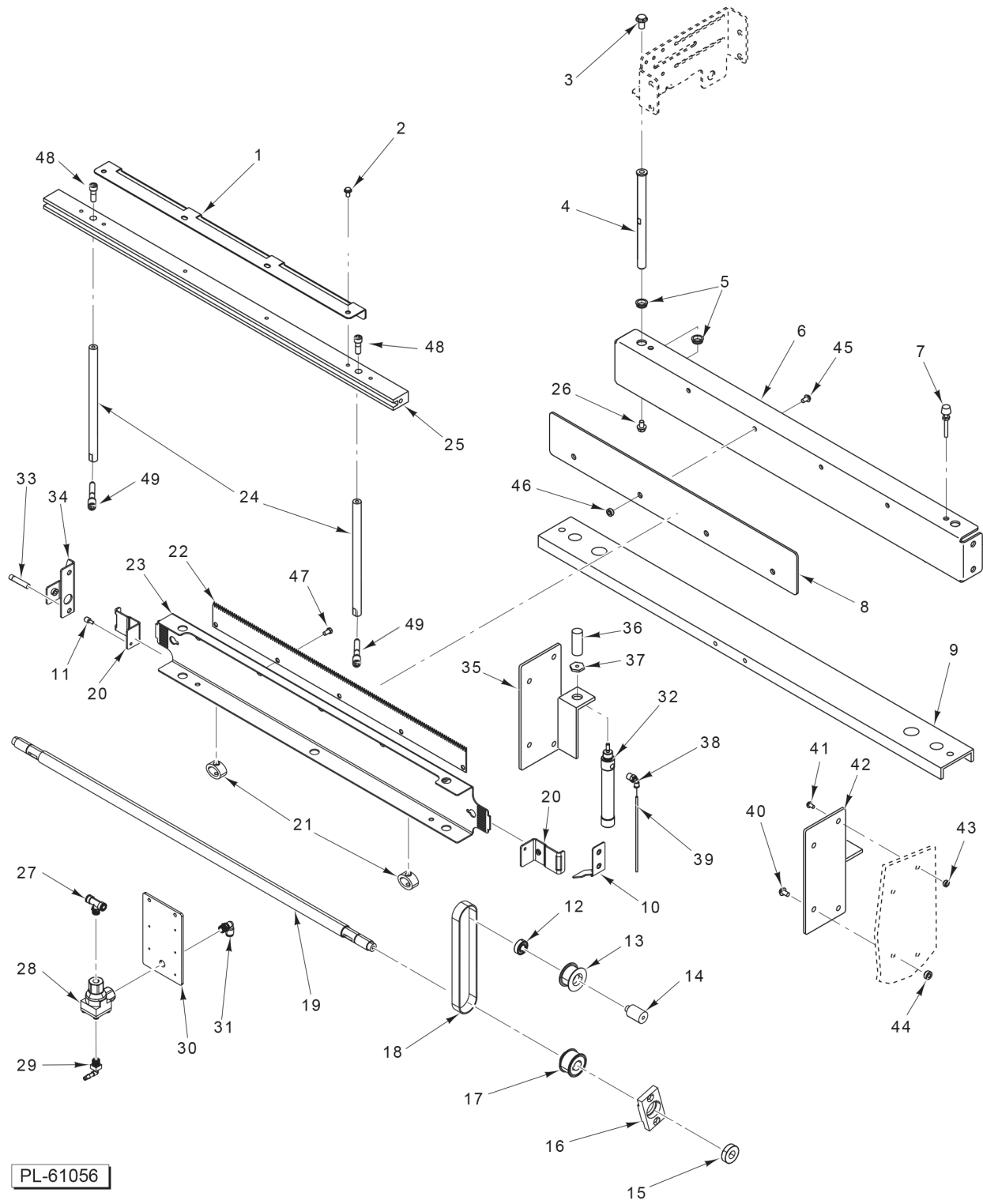
ILLUS.	PART NO.	NAME OF PART	AMT.
PL-61031			
1	00-445574	Plate - Post Mounting.....	2
2	NS-049-06	Lock Nut 1/4-20 (SST).....	6
3	SC-129-49	Mach. Screw 1/4-20 x 1/2 Hex Washer Hd. (SST).....	AR
4	00-446048	Bracket - Slat Assy.....	2
5	00-446699	Spring - Slat.....	AR
6	RR-006-03	Retaining Ring.....	AR
7	00-446050	Rod - Slat.....	2
8	00-333862	Slat - Smooth.....	AR
9	00-445006	Bracket - Slat Assy. (LH) (3 Slat) (Incls. Items 3, 5, 6, 8, and 12).....	1
10	00-445013	Bracket - Slat Assy. (RH) (3 Slat) (Incls. Items 3, 5, 6, 8, and 12).....	1
11	00-444883	Rod (3 Slat).....	2
12	00-445009	Post Assy. - Elevator.....	AR
13	00-445005	Bracket - Slat Assy. (LH) (2 Slat) (Incls. Items 3, 5, 6, 12, and 15).....	2
14	00-445012	Bracket - Slat Assy. (RH) (2 Slat) (Incls. Items 3, 5, 6, 12, and 15).....	2
15	00-444887	Rod (2 Slat).....	4
16	00-445022	Bracket - Package Stop.....	2
17	00-445007	Bracket - Post Mounting.....	1
18	00-446117	Slat Assy. (LH) (Incls. Items 1 thru 8).....	1
19	00-446118	Slat Assy. (RH) (Incls. Items 1 thru 8).....	1



ELEVATOR AND KNIFE CYLINDERS

ELEVATOR AND KNIFE CYLINDERS

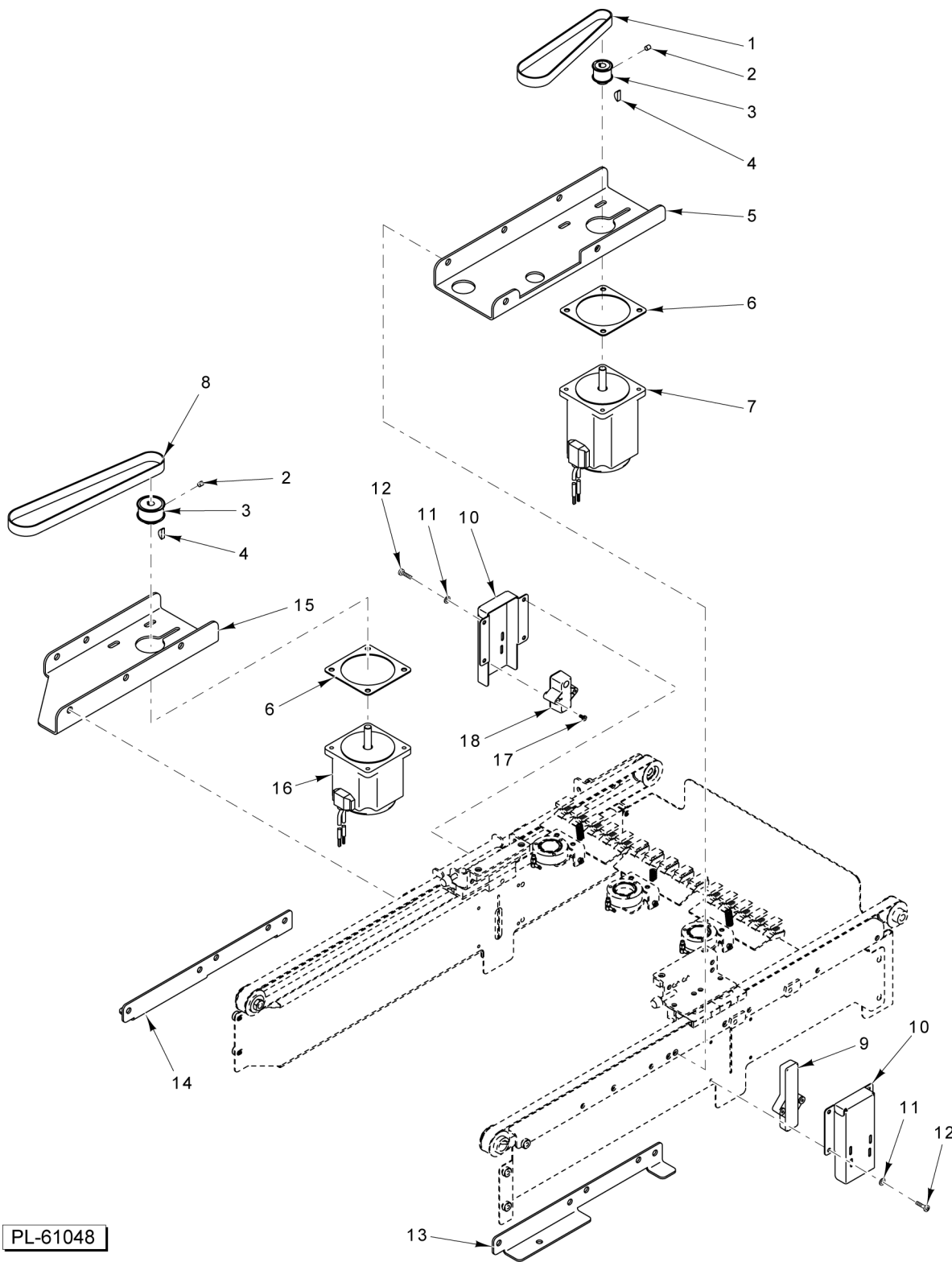
ILLUS. PL-61055	PART NO.	NAME OF PART	AMT.
1	SC-133-02	SCREW, MACH, SPCL 5/16-18 X 1-1/4".....	2
2	00-444563	Ring - Retaining.....	2
3	00-444545	Seal.....	2
4	00-444475	Seal Assy.....	2
5	RR-012-31	Retaining Ring.....	2
6	00-444783	Bearing - Linear.....	4
7	RR-012-31	Retaining Ring.....	2
8	SC-129-49	Mach. Screw 1/4-20 x 1/2 Hex Washer Hd. (SST).....	AR
9	00-448332	Support - Elevator Center.....	1
10	00-445574	Plate - Post Mounting.....	2
11	NS-049-06	Lock Nut 1/4-20 (SST).....	AR
12	00-446272	Bracket - Elevator Side.....	4
13	00-446270	Bracket - Elevator.....	2
14	00-446271	Bracket - Elevator.....	2
15	00-444767	Shaft - Elevator.....	2
16	00-442611-00010	Bushing - Sleeve.....	2
17	00-444768	Bar.....	1
18	00-443016	Fitting - Connector Tube.....	1
19	00-448391	Cylinder - Air.....	1
20	00-444121	Fitting - Elbow.....	1
21	NS-018-10	Jam Nut 5/16-24 Hex (SST).....	1
22	00-449413	Nut - Knife Cylinder.....	1
23	00-449910	Washer.....	2
24	00-334272	Bumper.....	2
25	WS-022-02	Washer 0.266 x 0.688 x 0.062 (SST).....	2
26	SC-041-05	Cap Screw 1/4-20 x 5/8 Hex Hd. (SST).....	2
27	00-444229	Elevator Frame.....	1
28	00-449414	Sleeve - Knife Cylinder.....	1
29	SC-129-50	Mach. Screw 1/4-20 x 5/8 Hex Washer Hd. (SST).....	1
30	00-444379	Link Assy. - Elevator.....	1
31	WL-006-36	Lockwasher 1/2 Helical.....	1
32	SC-041-44	Cap Screw 1/2-13 x 1-1/4 Hex Hd. (SST).....	1
33	SC-114-62	Mach. Screw 10-32 x 1-1/4 Hex Hd.....	2
34	RR-012-49	Ring, Retaining 5133 (Used with Item 15).....	2



KNIFE FRAME AND SELECTOR SUPPORT

KNIFE FRAME AND SELECTOR SUPPORT

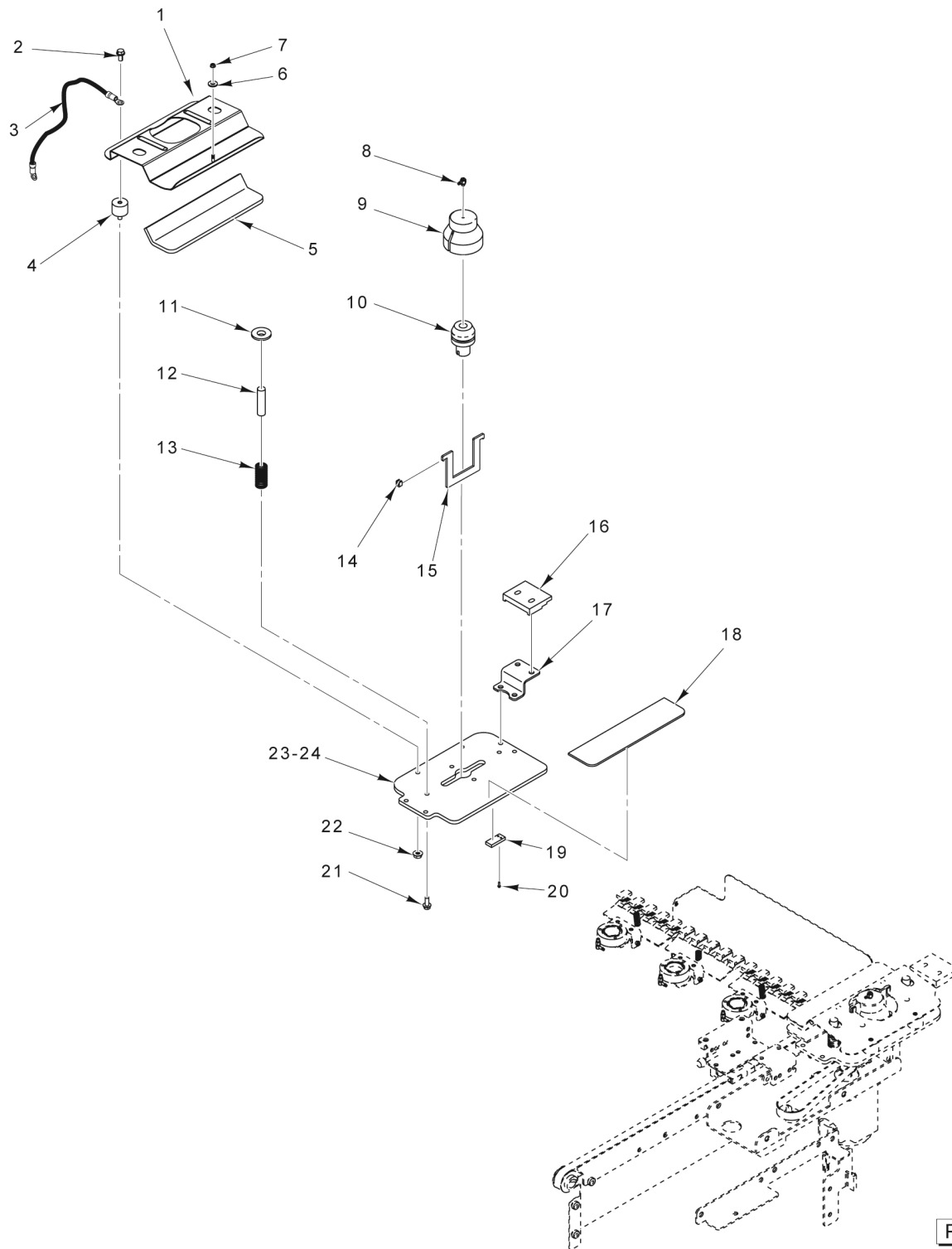
ILLUS.	PART NO.	NAME OF PART	AMT.
PL-61056			
1	00-443904	Guard - Knife.....	1
2	SC-129-49	Mach. Screw 1/4-20 x 1/2 Hex Washer Hd. (SST).....	4
3	SC-129-51	Cap Screw 5/16-18 x 3/4 Hex Washer Hd. (SST).....	2
4	00-445350	Rod - Selector Assy.....	2
5	00-043411	Bearing (Nyliner).....	2
6	00-449911	Bracket, Support.....	1
7	00-444240	Screw - Stop Adjustment.....	2
8	00-444848	Panel - Rear Knife.....	1
9	00-444239	Bracket - Lower Support.....	1
10	00-448635	Cover - Pulley.....	2
11	00-449945	Magnet Assy.....	1
12	00-443943	Bearing - Ball.....	2
13	00-446093	Pulley.....	2
14	00-448957	Stud - Idler.....	2
15	00-444077	Bearing - Sealed.....	2
16	00-444084	Block - Bearing.....	2
17	00-443865	Pulley (22T).....	2
18	00-445634	Belt (85T).....	2
19	00-448956	Shaft - Knife.....	1
20	00-448154	Clamp - Knife Belt.....	2
21	00-448984	Bumper.....	2
22	00-443903	Knife.....	1
23	00-448178	Bracket - Knife.....	1
24	00-449470	Knife Rod Assy.....	2
25	00-443902	Frame - Top Support.....	1
26	SC-100-08	Mach. Screw 1/4-20 x 3/8 Hex Washer Hd.....	2
27	00-449079	Fitting 1/8 x 1/4 In. NPT.....	1
28	00-449069	Valve (1/8 Quick Exhaust).....	1
29	00-041719	Fitting - Elbow.....	1
30	00-444608	Bracket.....	1
31	00-444467	Fitting - Swivel 90 Deg. Elbow Tube.....	1
32	00-446597	Cylinder - Film Changer.....	2
33	00-448755	Sensor - Position.....	2
34	00-448179	Bracket.....	1
35	00-446658	Bracket - Film Changer Cylinder (LH).....	1
36	00-446659	Pusher - Film Changer Cylinder.....	2
37	NS-018-10	Jam Nut 5/16-24 Hex (SST).....	2
38	00-444121	Fitting - Elbow.....	2
39	00-444489-00001	Tubing - Natural Polyurethane (1/8).....	2
40	SC-129-51	Cap Screw 5/16-18 x 3/4 Hex Washer Hd. (SST).....	2
41	SC-129-49	Mach. Screw 1/4-20 x 1/2 Hex Washer Hd. (SST).....	6
42	00-446657	Bracket - Film Changer Cylinder (RH).....	1
43	NS-049-06	Lock Nut 1/4-20 (SST).....	6
44	NS-048-40	Lock Nut 5/16-18 Flange (SST).....	2
45	SC-129-49	Mach. Screw 1/4-20 x 1/2 Hex Washer Hd. (SST).....	4
46	NS-049-06	Lock Nut 1/4-20 (SST).....	4
47	SC-041-50	Cap Screw 1/4-20 x 1/2 Hex Hd. (SST).....	5
48	SC-110-98	Cap Screw 1/4-20 x 3/4 Hex Socket Hd. (SST).....	2
49	SC-059-30	Cap Screw 1/4-20 x 1 Hex Socket Hd. (SST).....	2



SIDE CLAMP AND SIDE UNDERFOLDER MOTORS

SIDE CLAMP AND SIDE UNDERFOLDER MOTORS

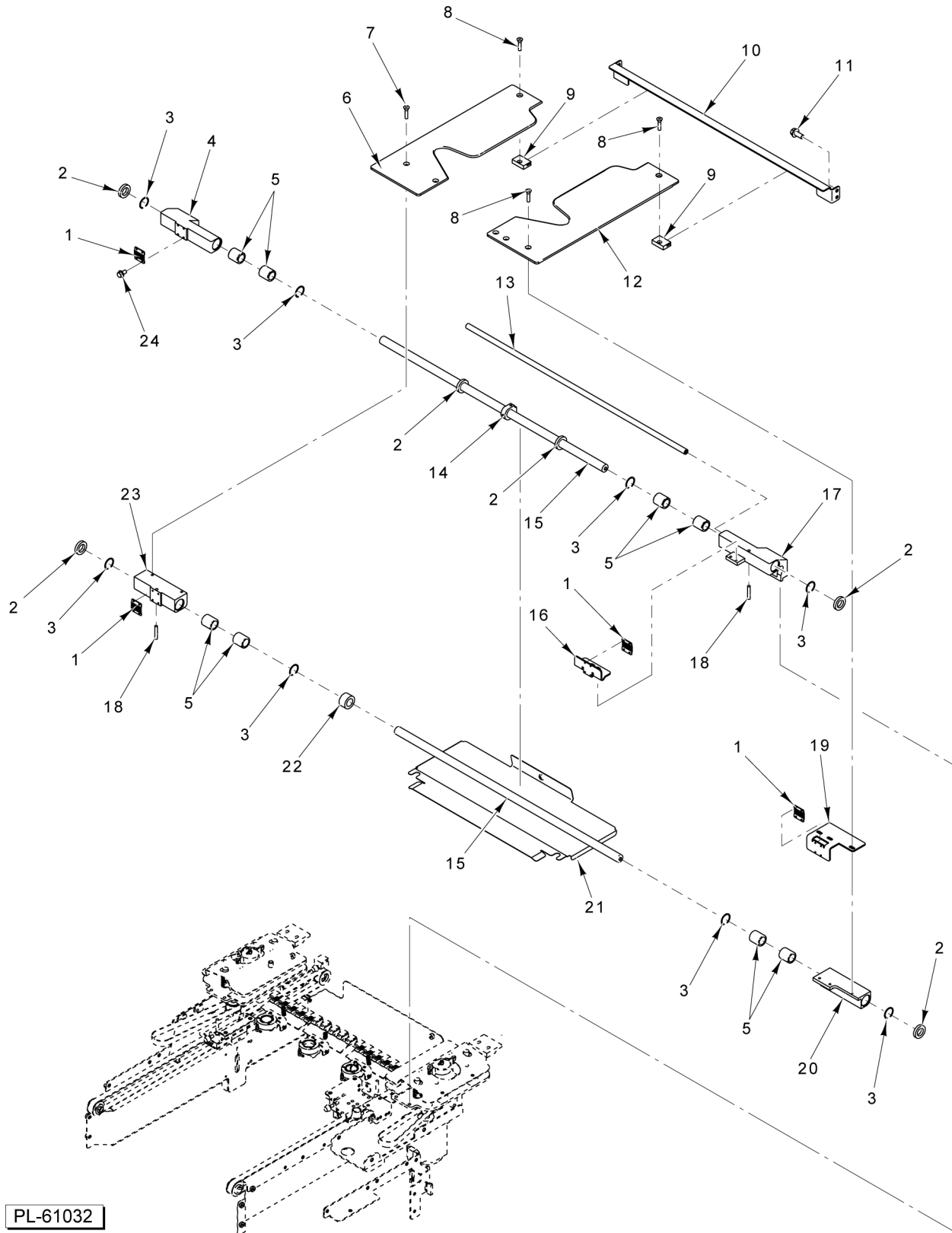
ILLUS.	PART NO.	NAME OF PART	AMT.
PL-61048			
1	00-445634	Belt (85T).....	1
2	SC-125-19	Set Screw 10-32 x 1/4 Hex Hdls., Cup Pt. (SST).....	2
3	00-443860	Pulley (16T) (Includes Item 2).....	2
4	KW-003-23	Key - Woodruff 3/32 x 5/8.....	2
5	00-444021	Bracket - Motor (RH).....	1
6	00-443963	Spacer - Motor Mounting.....	2
7	00-448375	Motor - Brushless (440 W.) (82 In. Motor Lead) (10-Pole) (Side Clamp).....	1
8	00-446220	Belt (535mm).....	1
9	00-444953	Sensor Assy. (Package).....	1
10	00-443814	Bracket - Elevator Sensor.....	1
11	WL-006-02	Lockwasher #8 Helical (SST).....	4
12	SC-093-04	Mach. Screw 8-32 x 1/2 Phil. Pan Hd. (SST).....	4
13	00-443992	Frame (RH).....	1
14	00-443991	Frame (LH).....	1
15	00-444020	Bracket - Motor (LH).....	1
16	00-448371	Motor - Brushless (220 W.) (82 In. Motor Lead) (10-Pole) (Side Underfolder).....	1
17	SD-037-72	Self-Tapping Screw 6-19 x 1/2 Phil. Pan Hd.....	2
18	00-444954	Emitter Assy.....	1



SIDE CLAMPS

SIDE CLAMPS

ILLUS.	PART NO.	NAME OF PART	AMT.
PL-61033			
1	00-449232	Clamp - Upper (Incls. Item 2).....	2
2	SC-129-49	Mach. Screw 1/4-20 x 1/2 Hex Washer Hd. (SST).....	2
3	00-449465	Cable - Ground (27 In.).....	2
4	00-444038	Mount - Hinge.....	2
5	00-447243	Pad - Clamp Upper.....	2
6	00-449233	Magnet.....	2
7	NS-047-15	Lock Nut 8-32.....	2
8	00-444652	Fitting - Elbow 10-32 Adjustable.....	2
9	00-444007	Cylinder.....	2
10	00-448317	Piston & Seal Assy.....	2
11	00-444010	Bushing.....	2
12	00-444011	Stud.....	2
13	00-448403	Spring - Clamp Return.....	2
14	00-444039	Guide.....	2
15	00-444009	Yoke.....	2
16	00-444046	Block - Clamp Slide.....	2
17	00-444045	Bracket - Slide Mounting.....	2
18	00-444003	Pad - Clamp Lower.....	2
19	00-448746	Sensor - Hall.....	2
20	SC-018-29	Mach. Screw 6-32 x 3/8 Phil. Pan Hd.....	1
21	SC-129-50	Mach. Screw 1/4-20 x 5/8 Hex Washer Hd. (SST).....	8
22	NS-049-06	Lock Nut 1/4-20 (SST).....	2
23	00-449216	Plate - Side Clamp (LH).....	1
24	00-449217	Plate - Side Clamp (RH).....	1

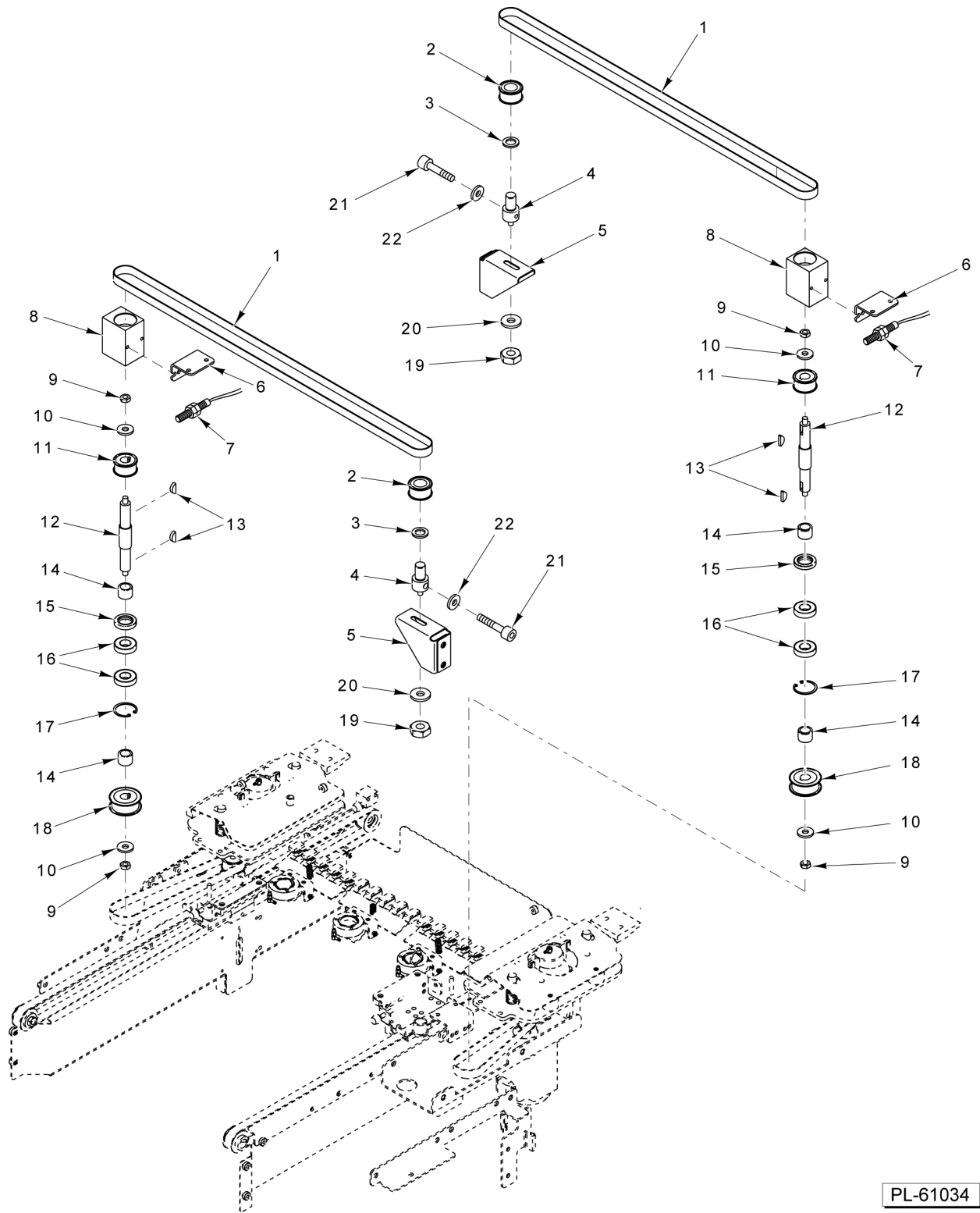


PL-61032

SIDE UNDERFOLDERS

SIDE UNDERFOLDERS

ILLUS. PL-61032	PART NO.	NAME OF PART	AMT.
1	00-443906	Clamp - Belt.....	4
2	00-444047	Bumper - Clamp.....	6
3	00-444005	Ring - Retaining.....	8
4	00-444579	Housing Assy. - Clamp (LH).....	1
5	00-444031	Bearing - Linear.....	8
6	00-445104	Underfolder (LH).....	1
7	SC-127-91	Mach. Screw 1/4-20 x 5/8 Phil. Flat Hd. (SST).....	4
8	SC-125-83	Mach. Screw 1/4-20 x 1/2 Phil. Flat Hd. (SST).....	3
9	00-444002	Slide.....	2
10	00-443984	Rail - Underfolder Rear.....	1
11	SC-129-49	Mach. Screw 1/4-20 x 1/2 Hex Washer Hd. (SST).....	4
12	00-445105	Underfolder (RH).....	1
13	00-444035	Shaft - Unloader.....	1
14	00-446043	Collar.....	1
15	00-444006	Shaft.....	2
16	00-444036	Bracket - Belt Clamp.....	1
17	00-444578	Housing Assy. - Clamp (RH) (Incls.Item 18).....	1
18	00-946607	Magnet.....	2
19	00-444019	Plate - Belt.....	1
20	00-444580	Housing Assy. - Underfolder (RH).....	1
21	00-445068	Cover - Belts.....	1
22	00-444034	Bumper - Slide.....	3
23	00-444581	Housing Assy. - Underfolder (LH) (Incls.Item 18).....	1
24	SC-128-55	Mach. Screw 8-32 x 1/4 Hex Hd.....	4

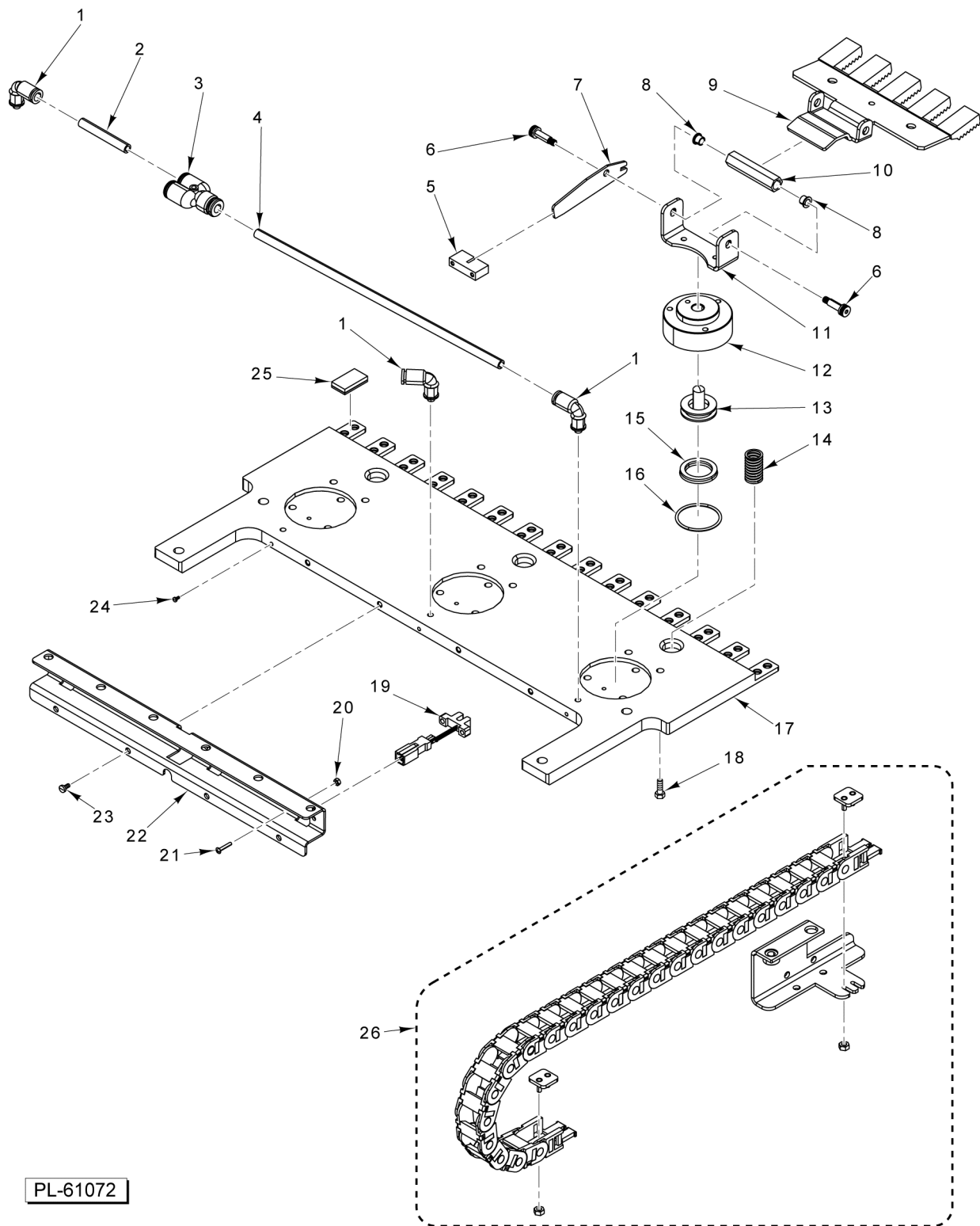


PL-61034

SIDE CLAMP, SIDE UNDERFOLDER BELTS, AND PULLEYS

SIDE CLAMP, SIDE UNDERFOLDER BELTS, AND PULLEYS

ILLUS.	PART NO.	NAME OF PART	AMT.
PL-61034			
1	00-445635	Belt - Timing.....	2
2	00-443867	Pulley Assy. - Idler.....	2
3	00-444025	Washer - Thrust.....	2
4	00-444024	Stud - Idler.....	2
5	00-444023	Bracket Assy. - Idler.....	2
6	00-444030	Bracket - Sensor Mounting.....	2
7	00-448755	Sensor - Position.....	2
8	00-444015	Housing - Bearing.....	2
9	NS-018-18	Jam Nut 3/8-24 Hex (SST).....	4
10	WS-018-40	Washer (SST).....	4
11	00-443864	Pulley (22T).....	2
12	00-444016	Shaft.....	2
13	KW-003-10	Key - Woodruff 3/16 x 3/4.....	4
14	00-444017	Spacer.....	4
15	00-444018	Seal - Shaft.....	2
16	00-443950	Bearing.....	4
17	RR-012-01	Retaining Ring.....	2
18	00-443869	Pulley (30T).....	2
19	NS-048-40	Lock Nut 5/16-18 Flange (SST).....	2
20	WS-028-37	Washer (SST).....	2
21	SC-129-54	Cap Screw 5/16-18 x 2-3/4 Hex Socket Hd. (SST).....	2
22	WS-017-09	Washer (SST).....	2
	00-444517	Bearing Shaft Assy. (Includes items 8-18).....	2

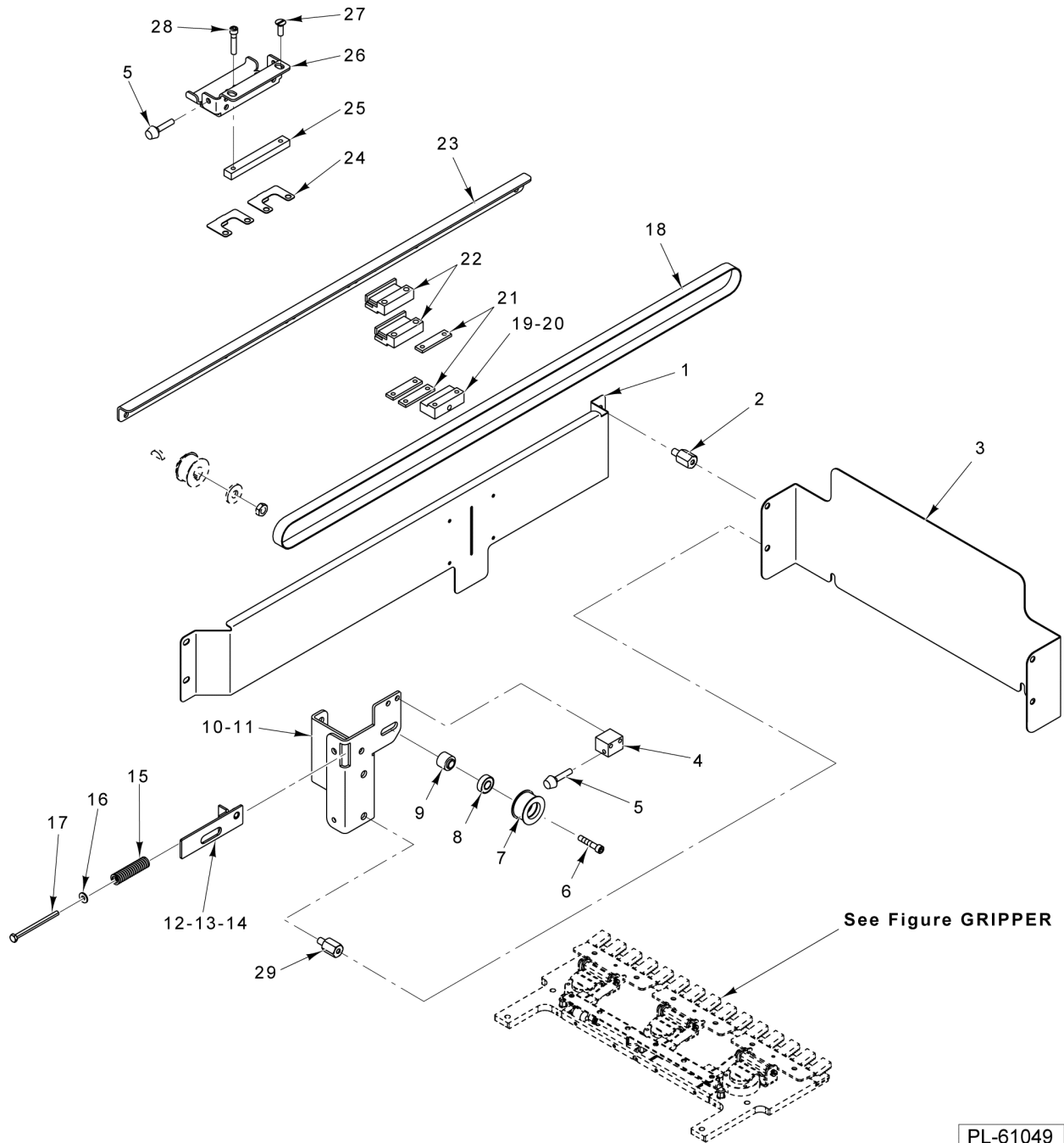


PL-61072

GRIPPER

GRIPPER

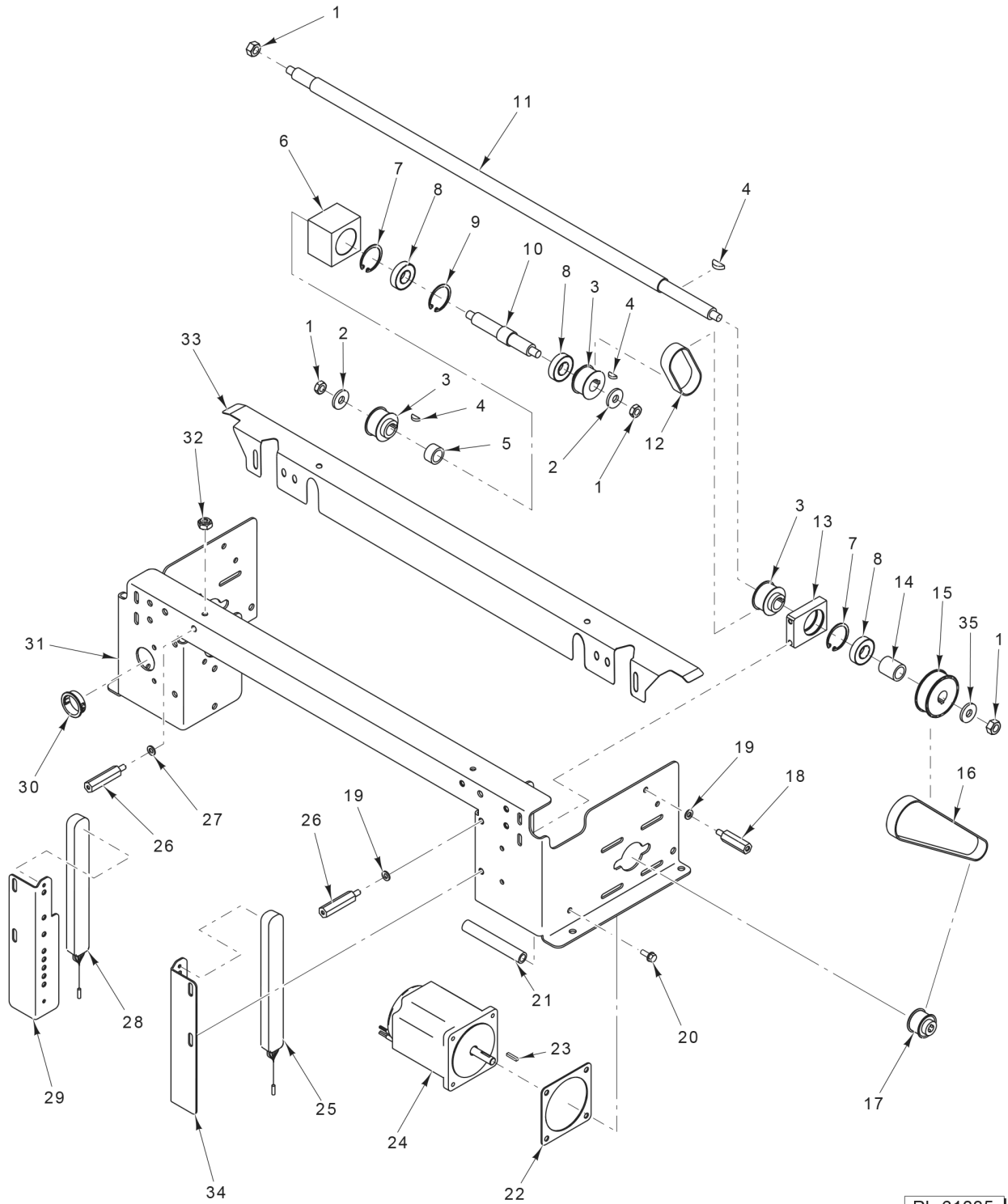
ILLUS.	PART NO.	NAME OF PART	AMT.
PL-61072			
1	00-449266	Fitting 1/4 90 Deg.....	3
2	00-444490-00037	Tubing 1/4 x 1-3/4 In.....	1
3	00-444466	Fitting - Union Tube (Y).....	1
4	00-444490-00025	Tubint - 1/4 x 9 In. (Polyurethane).....	1
5	00-449190	Mount - Sensor.....	3
6	00-449192	Screw - Shoulder.....	6
7	00-449189	Actuator - Lower Jaw.....	3
8	00-183765	Bearing - Nylon.....	6
9	00-445863	Plate Assy. (Lower).....	3
10	00-449191	Pivot - Gripper Jaw.....	3
11	00-448564	Bracket - Pivot.....	3
12	00-445021	Cylinder.....	3
13	00-443921	Piston.....	3
14	00-444985	Spring - Gripper Opening.....	3
15	00-443922	Seal - Piston.....	3
16	00-441580-00004	O-Ring.....	3
17	00-449235	Plate - Gripper.....	3
18	SC-129-80	Mach. Screw 10-24 x 3/4 Phil. Flat Hd. (SST).....	AR
19	00-449141	Sensor Assy.....	3
20	NS-049-47	Lock Nut 4-40.....	6
21	SC-132-35	Mach. Screw 4-40 x 7/16.....	AR
22	00-449194	Bracket - Gripper Sensor.....	1
23	SA-021-59	Mach. Screw Assy. 8-32 x 3/8.....	4
24	SC-018-28	Mach. Screw 6-32 x 1/4 Phil. Pan Hd.....	3
25	00-043452	Pad - Gripper (Gray) (Set of 15).....	AR
26	00-449468	Flex Track Assy.....	1



GRIPPER DRIVE BELT

GRIPPER DRIVE BELT

ILLUS.	PART NO.	NAME OF PART	AMT.
PL-61049			
1	00-443815	Shield (LH).....	1
2	00-444356	Stud - Guide.....	2
3	00-446742	Stop - Package.....	1
4	00-444369	Block - Bumper.....	2
5	00-443742	Bumper.....	2
6	SC-059-39	Cap Screw 3/8-16 x 1-1/2 Hex Washer Hd. (SST).....	1
7	00-443866	Pulley - Idler.....	2
8	00-443943	Bearing - Ball.....	2
9	00-444366	Spacer - Idler.....	2
10	00-446171	Bracket - Rail Support (RH).....	1
11	00-446170	Bracket - Rail Support (LH).....	1
12	SC-131-25	Cap Screw 1/4-20 x 3-1/2 Hex Hd. (SST).....	2
13	00-446133	Bracket Assy. (LH).....	1
14	00-446134	Bracket Assy. (RH).....	1
15	00-445326	Spring - Weigher Belt.....	2
16	WS-031-37	Washer (SST).....	2
17	SC-131-25	Cap Screw 1/4-20 x 3-1/2 Hex Hd. (SST).....	2
18	00-446072-00004	Belt - Pusher (Cut to Length, 277T = 54-1/2 In.).....	1
19	00-449779	Block & Magnet Assy. (Incls. Item 20).....	1
20	00-446589	Magnet - Disc.....	1
21	00-443930	Plate - Nut.....	3
22	00-446831	Block - Belt Mounting.....	4
23	00-444364	Rail - Gripper.....	1
24	00-443926	Clip.....	2
25	00-444049	Plate - Nut.....	1
26	00-445930	Bracket - Gripper Slide.....	1
27	SC-022-40	Mach. Screw 1/4-20 x 3/4 Phil. Flat Hd. (SST).....	2
28	SC-125-07	Cap Screw 1/4-20 x 1-1/4 Hex Socket Hd. (SST).....	2
29	00-444356	Stud - Guide.....	2

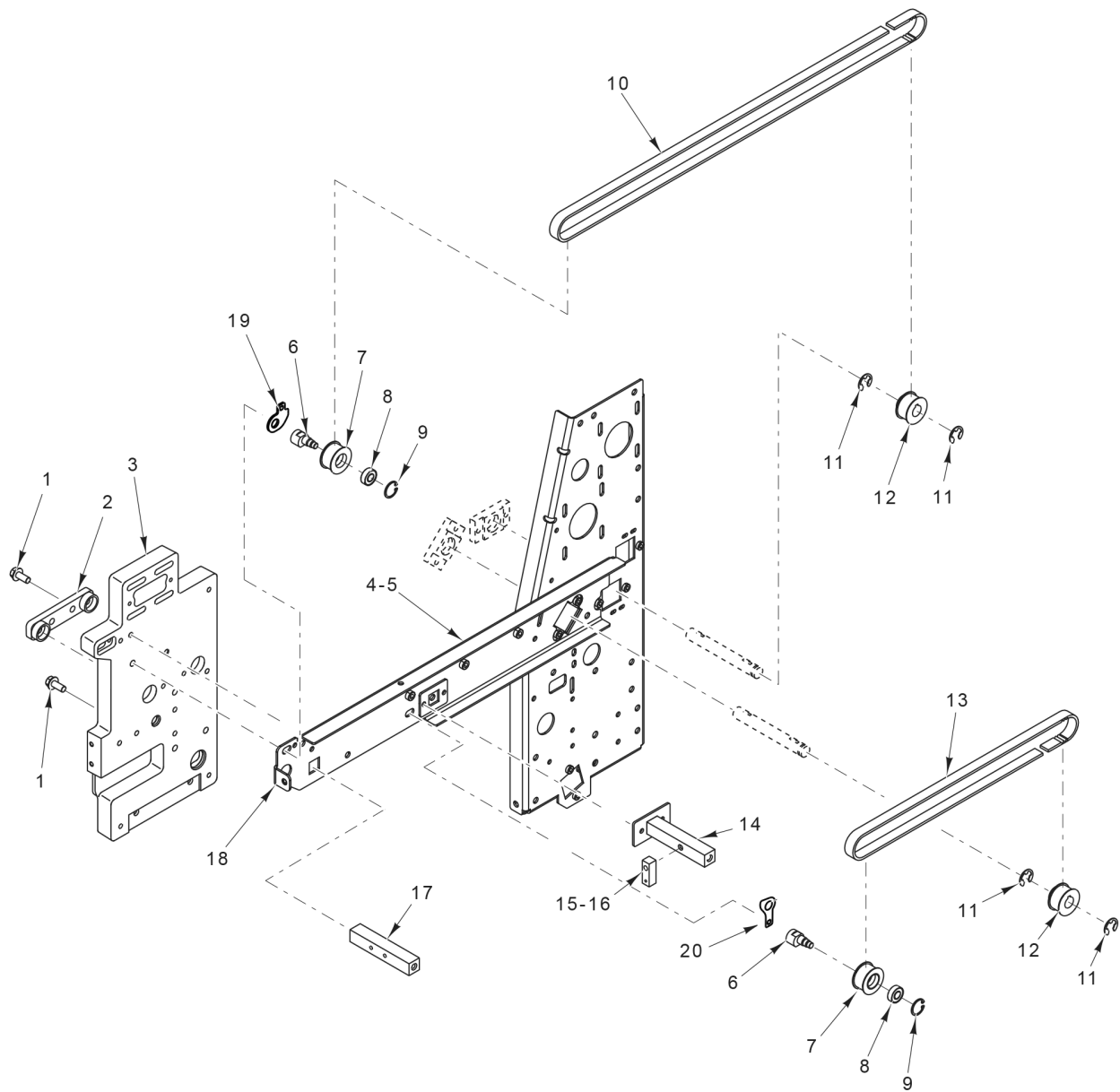


PL-61035

GRIPPER DRIVE, AND HEIGHT SENSORS

GRIPPER DRIVE, AND HEIGHT SENSORS

ILLUS.	PART NO.	NAME OF PART	AMT.
PL-61035			
1	NS-018-18	Jam Nut 3/8-24 Hex (SST).....	4
2	WS-031-42	Washer, .406 X 1.50 X .062 SST.....	2
3	00-443865	Pulley (22T).....	2
4	KW-004-05	Key - Woodruff 3/16 x 3/4 (SST).....	4
5	00-444360	Spacer.....	1
6	00-444362	Block - Bearing.....	2
7	RR-012-01	Retaining Ring.....	4
8	00-443950	Bearing.....	3
9	RR-012-01	Retaining Ring.....	1
10	00-444361	Shaft.....	1
11	00-444357	Shaft - Gripper Drive.....	1
12	00-446215	Belt (200mm).....	2
13	00-444370	Block - Bearing.....	2
14	00-444358	Spacer.....	1
15	00-443871	Pulley (34T).....	2
16	00-446216	Belt (450mm) (90T).....	1
17	00-443862	Pulley (18T).....	1
18	00-444448	Standoff - Side Cover.....	1
19	WL-003-38	Lockwasher 1/4 Helical.....	1
20	SC-129-49	Mach. Screw 1/4-20 x 1/2 Hex Washer Hd. (SST).....	2
21	00-446089	Spacer.....	1
22	00-443963	Spacer - Motor Mounting.....	1
23	KW-003-23	Key - Woodruff 3/32 x 5/8.....	1
24	00-448375	Motor - Brushless (440 W.) (82 In. Motor Lead) (10-Pole) (Gripper).....	1
25	00-447422	Height Detector Assy. (LH) (Black Shrink Tube).....	1
26	00-444447	Standoff - Front Cover.....	2
27	WL-003-38	Lockwasher 1/4 Helical.....	1
28	00-447421	Height Detector Assy. (RH) (Red Shrink Tube).....	1
29	00-443818	Bracket - Height Sensor (LH).....	1
30	FE-026-29	Bushing - Electrical Snap.....	1
31	00-443983	Bracket - Front.....	1
32	00-444198	2
33	00-445470	Guide - Belt.....	1
34	00-443817	Bracket - Height Sensor (RH).....	1
35	WS-018-40	Washer (SST).....	1
	00-444359	Block Assy. - Bearing (Includes items 1-10).....	2

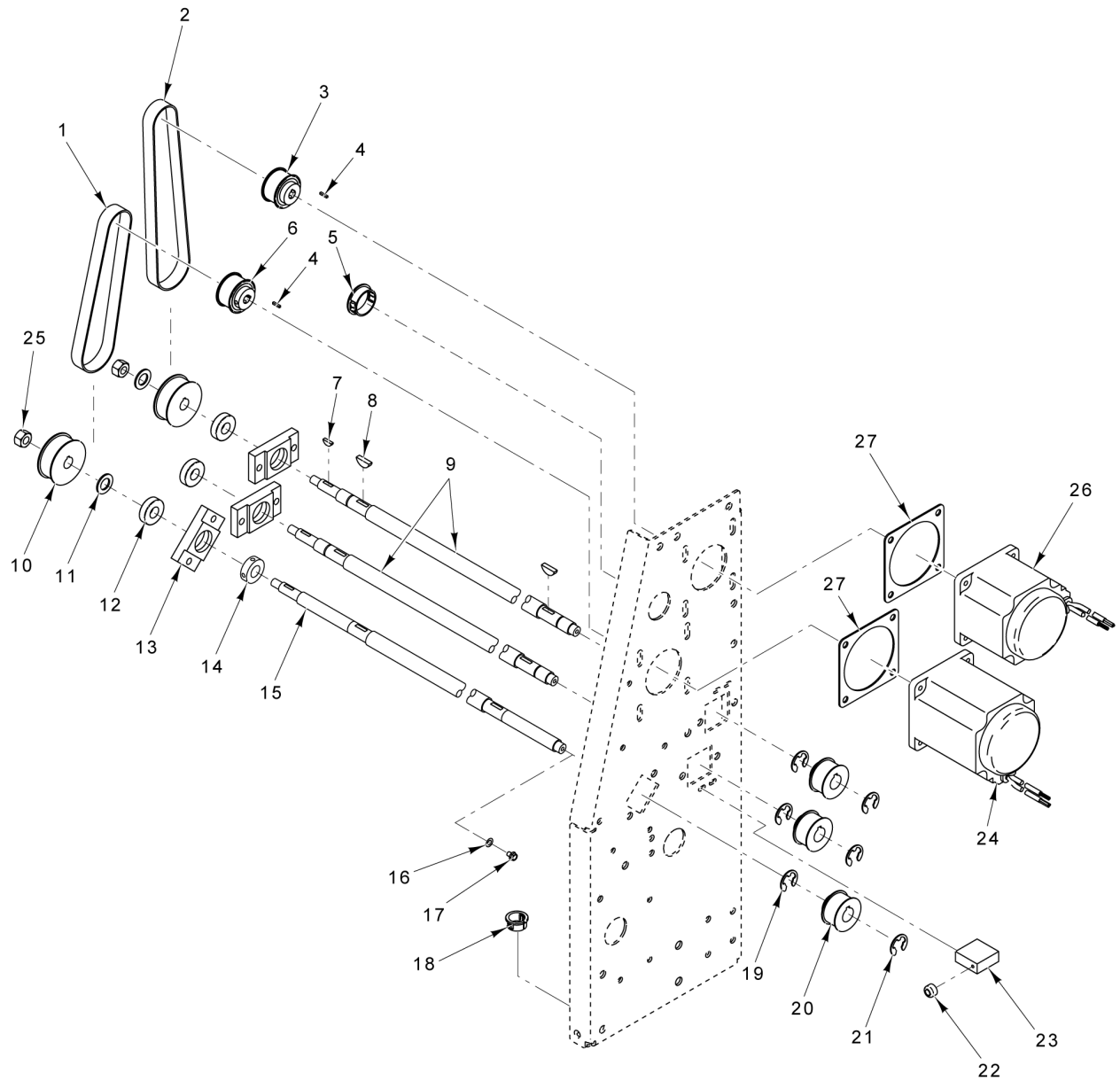


PL-61036

LEFT FRONT PUSHER REAR UNDERFOLDER BELT

LEFT FRONT PUSHER REAR UNDERFOLDER BELT

ILLUS.	PART NO.	NAME OF PART	AMT.
PL-61036			
1	SC-129-51	Cap Screw 5/16-18 x 3/4 Hex Washer Hd. (SST).....	4
2	00-444044	Mount - Slide Rods.....	1
3	00-443989	Support - Printer Display (LH).....	1
4	00-443209	Interlock Assy. (12 In. Lead).....	1
5	00-183396	Plate - Screw Switch.....	1
6	00-446025	Shaft - Idler.....	2
7	00-443866	Pulley - Idler.....	2
8	00-443943	Bearing - Ball.....	2
9	RR-012-32	Retaining Ring.....	2
10	00-446072-00004	Belt - Pusher (Cut to Length, 277T = 54-1/2 In.).....	2
11	RR-012-04	Retaining Ring.....	4
12	00-443865	Pulley (22T).....	2
13	00-446072-00004	Belt - Rear Underfolder (Cut to Length, 175T = 34-7/16 In.).....	2
14	00-444395	Standoff.....	1
15	00-444075	Block - Stop.....	1
16	00-444076	Bumper.....	2
17	00-444094	Standoff.....	1
18	00-448646	Frame Assy. - Upper Left.....	1
19	00-446018	Plate - Adjusting (Front Underfolder & Rear Pusher Tensioners).....	4
20	00-446017	Plate - Adjusting (Rear Underfolder Tensioners).....	2

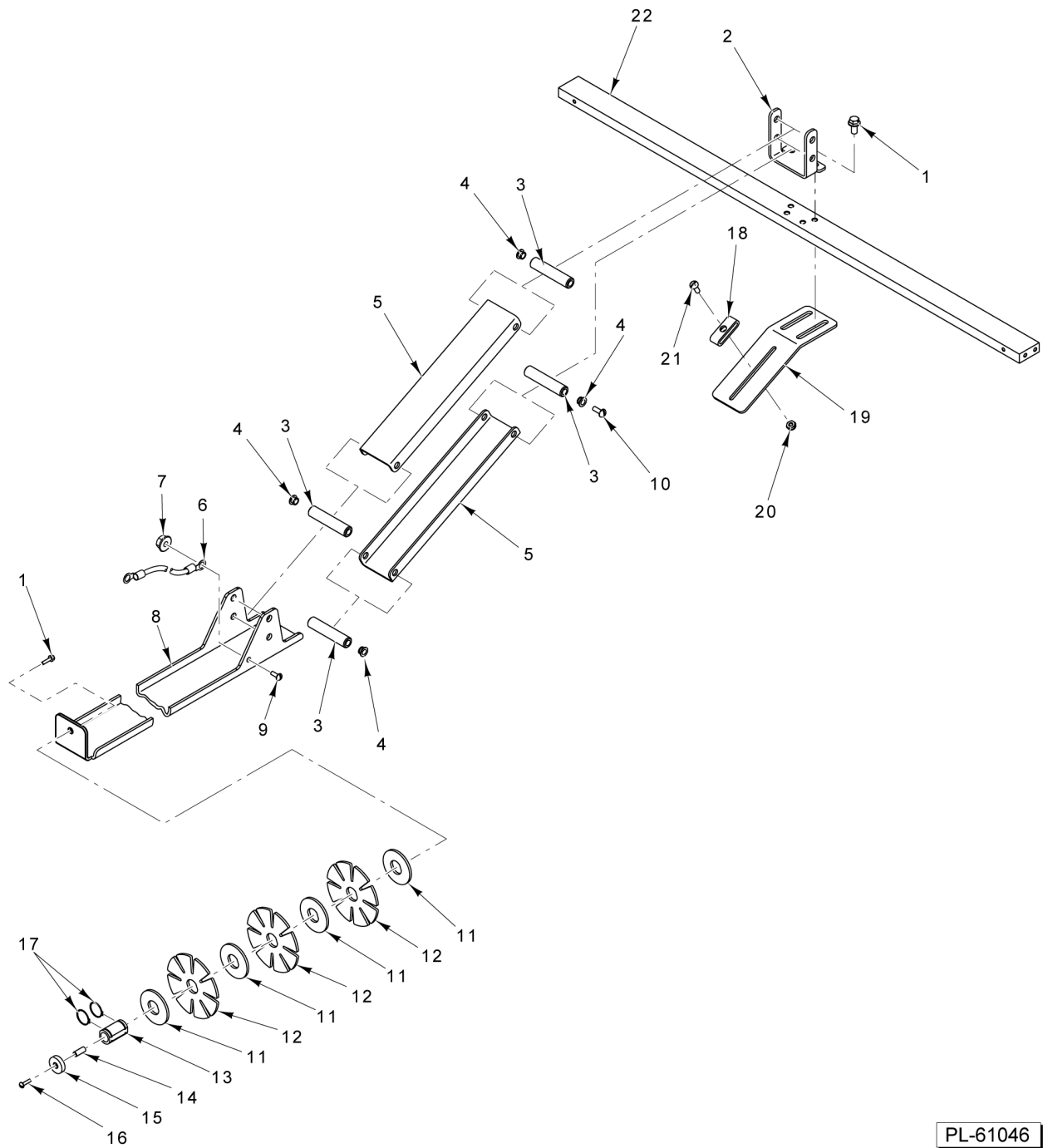


PL-61037

UPPER PUSHER AND FRONT FOLDER MOTORS

UPPER PUSHER AND FRONT FOLDER MOTORS

ILLUS.	PART NO.	NAME OF PART	AMT.
PL-61037			
1	00-445634	Belt (85T).....	1
2	00-446219	Belt - Pusher (500mm).....	1
3	00-443860	Pulley (16T).....	1
4	KW-003-23	Key - Woodruff 3/32 x 5/8.....	2
5	FE-026-29	Bushing - Electrical Snap.....	1
6	00-443863	Pulley (22T).....	1
7	KW-003-04	Key 1/8 x 1/2.....	3
8	KW-004-05	Key - Woodruff 3/16 x 3/4 (SST).....	6
9	00-446074	Shaft - Pusher/Rear Underfolder.....	2
10	00-443870	Pulley (30T).....	2
11	WS-008-48	Washer (SST).....	3
12	00-444077	Bearing - Sealed.....	3
13	00-444084	Block - Bearing.....	3
14	00-446082	Collar.....	2
15	00-446075	Shaft (Front Underfolder).....	1
16	WS-031-37	Washer (SST).....	1
17	SC-129-49	Mach. Screw 1/4-20 x 1/2 Hex Washer Hd. (SST).....	1
18	FE-016-24	Bushing - Electrical Split.....	1
19	RR-012-04	Retaining Ring.....	3
20	00-443865	Pulley (22T).....	3
21	RR-012-04	Retaining Ring.....	3
22	00-444076	Bumper.....	1
23	00-444450	Block - Stop.....	1
24	00-448376	Motor - Brushless (440 W.) (120 In. Lead) (Front Underfolder).....	1
25	NS-038-10	Lock Nut 3/8-16 Hex.....	2
26	00-448372	Motor - Brushless (220 W.) (120 In. Motor Lead) (Upper Pusher).....	1
27	00-443963	Spacer - Motor Mounting.....	2

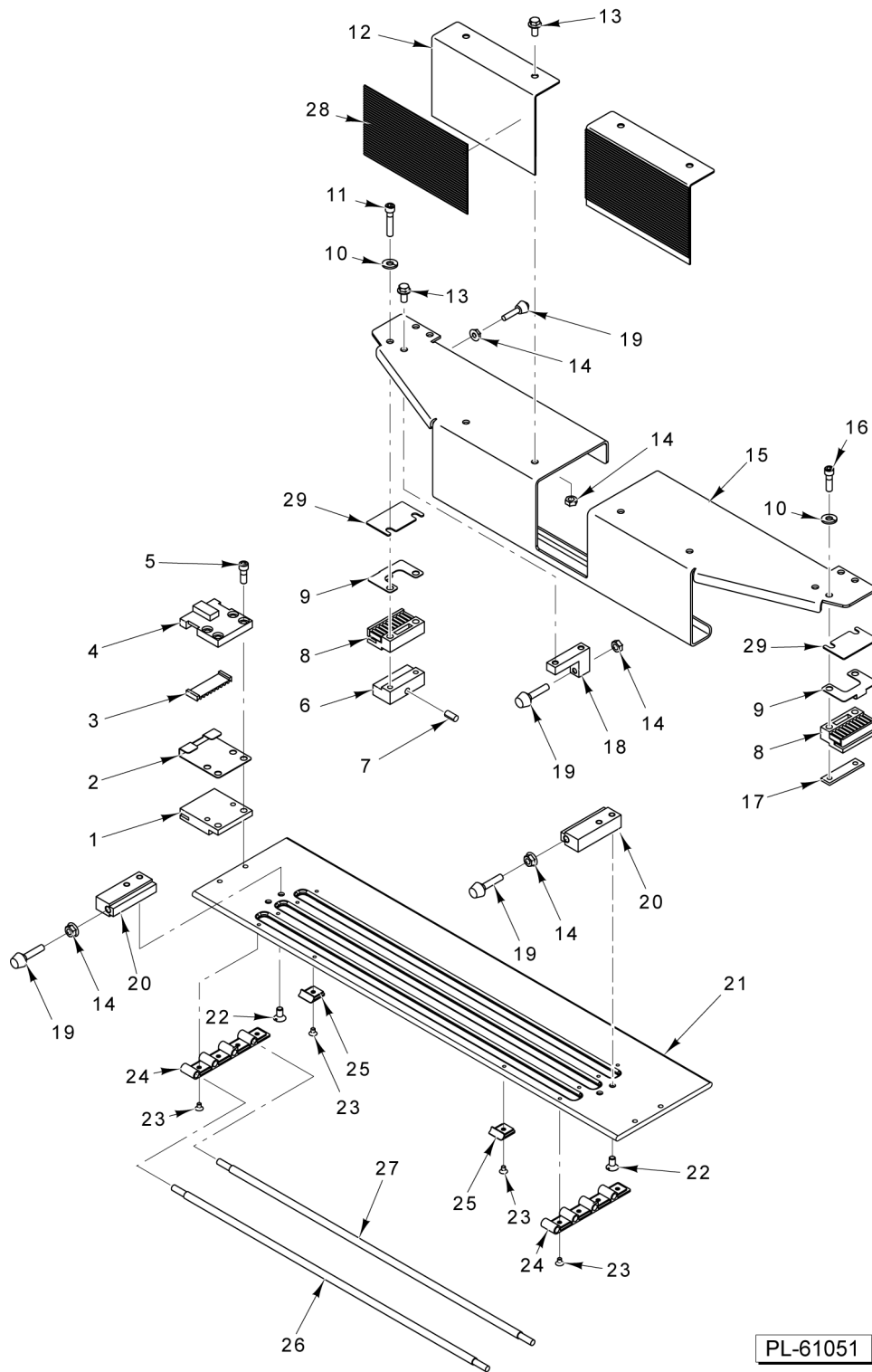


PL-61046

PACKAGE HOLD DOWN

PACKAGE HOLD DOWN

ILLUS.	PART NO.	NAME OF PART	AMT.
PL-61046			
1	SC-129-49	Mach. Screw 1/4-20 x 1/2 Hex Washer Hd. (SST).....	2
2	00-444926	Bracket - Hold Down Mount.....	1
3	00-445398	Pin - Hold Down Pivot.....	1
4	00-175560	Bushing - Nyliner.....	4
5	00-444923	Arm - Hold Down.....	4
6	00-445106	Cable Assy. - Ground.....	1
7	NS-049-06	Lock Nut 1/4-20 (SST).....	1
8	00-445113	Hold Down.....	1
9	SC-053-41	Mach. Screw 1/4-20 x 1/2 Slotted Truss Hd. (SST).....	1
10	SC-053-05	Mach. Screw 10-24 x 3/8 Slotted Truss Hd. (SST).....	8
11	00-445037	Spacer.....	4
12	00-445036	Disk - Roller.....	4
13	00-445038	Core - Roller.....	1
14	00-444915	Shaft - Roller.....	1
15	00-445067	Cap - Roller.....	1
16	SC-053-41	Mach. Screw 1/4-20 x 1/2 Slotted Truss Hd. (SST).....	1
17	RR-011-03	Retaining Ring.....	2
18	00-334272	Bumper.....	1
19	00-444139	Bracket - Bumper Mount.....	1
20	NS-031-49	Stop Nut 10-32 Hex (SST).....	1
21	SC-093-07	Mach. Screw 10-32 x 1/2 Slotted Pan Hd. (SST).....	1
22	00-443979	Bar - Hold Down.....	1

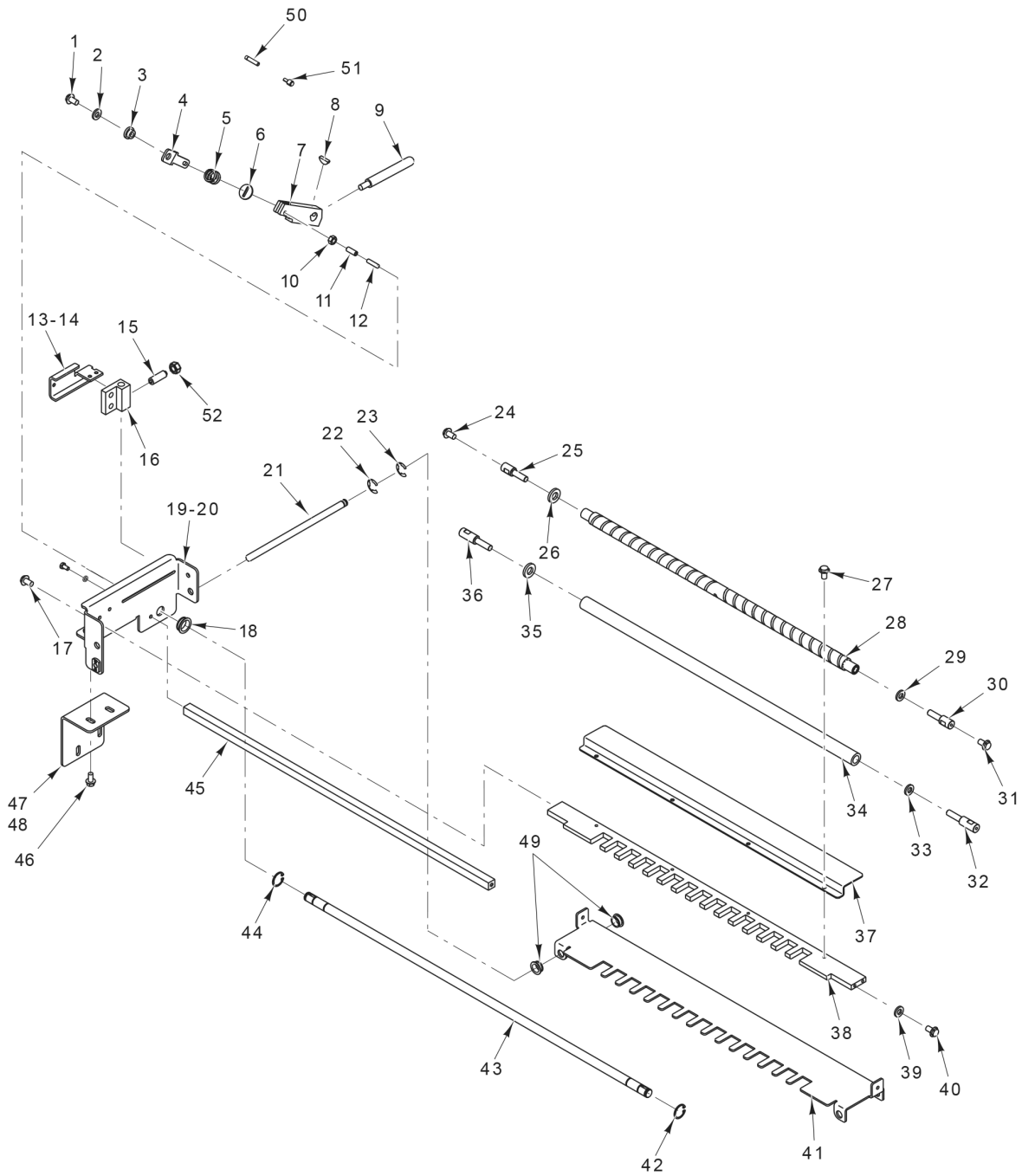


PL-61051

PUSHER AND REAR UNDERFOLDER

PUSHER AND REAR UNDERFOLDER

ILLUS.	PART NO.	NAME OF PART	AMT.
PL-61051			
1	00-449792	KIT, REAR FOLDER, STOP & SLIDE (2 Each).....	1
2	00-444083	Clip - Belt Retainer.....	2
3	00-443929	Retainer - Belt.....	2
4	00-449948	Block Assy. Rear Folder (Incls. Item 7).....	2
5	SC-110-98	Cap Screw 1/4-20 x 3/4 Hex Socket Hd. (SST).....	8
6	00-449779	Block & Magnet Assy. (Incls. Item 7).....	1
7	00-446589	Magnet - Disc.....	1
8	00-446831	Block - Belt Mounting.....	2
9	00-443926	Clip.....	2
10	WL-006-17	Lockwasher 1/4 Helical (SST).....	2
11	SC-040-09	Cap Screw 1/4-20 x 1-1/4 Hex Socket Hd.....	2
12	00-444844	Plate.....	2
13	SC-129-49	Mach. Screw 1/4-20 x 1/2 Hex Washer Hd. (SST).....	8
14	NS-049-06	Lock Nut 1/4-20 (SST).....	4
15	00-444839	Pusher.....	1
16	SC-129-85	Cap Screw 1/4-20 x 7/8 Hex Socket Hd. (SST).....	2
17	00-443930	Plate - Nut.....	1
18	00-443974	Block - Stop.....	2
19	00-443742	Bumper.....	4
20	00-445417	Mount - Stop.....	2
21	00-445414	Underfolder Assy. (Includes items 14, 19-20, 22-27).....	1
22	SC-127-97	Mach. Screw 6-32 x 5/16 Phil. Pan Hd.....	2
23	SC-119-14	Mach. Screw 8-32 x 1/4 Phil. Flat Hd. (SST).....	4
24	00-446818	Roller Mount (End).....	2
25	00-446819	Roller Mount (Center).....	2
26	00-444927	Roller - Underfolder.....	1
27	00-445416	Roller - Underfolder.....	3
28	00-443975	Pad - Pusher.....	2
29	00-445829	Shim.....	2

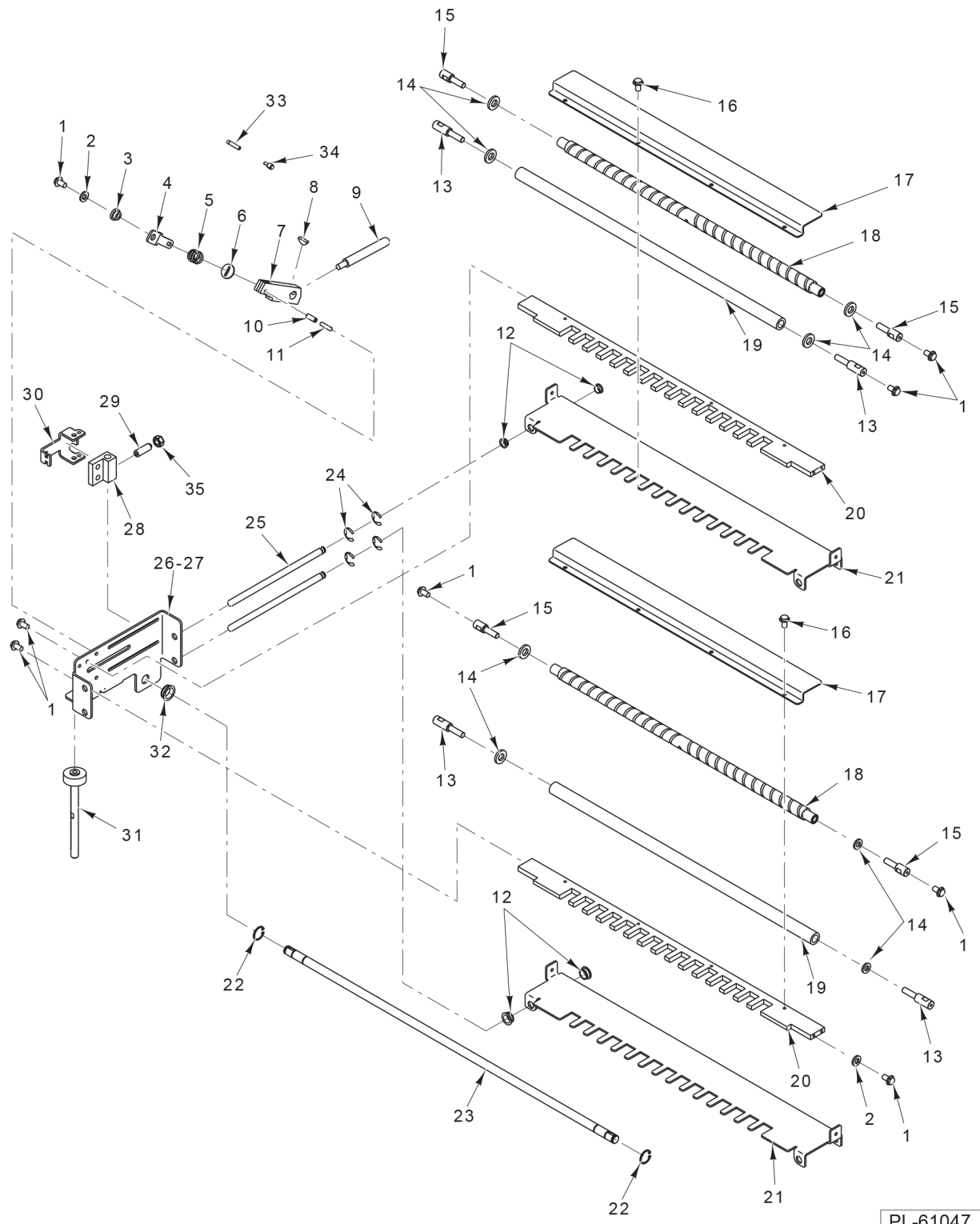


PL-61095

FILM SELECTOR (NGW1)

FILM SELECTOR (NGW1)

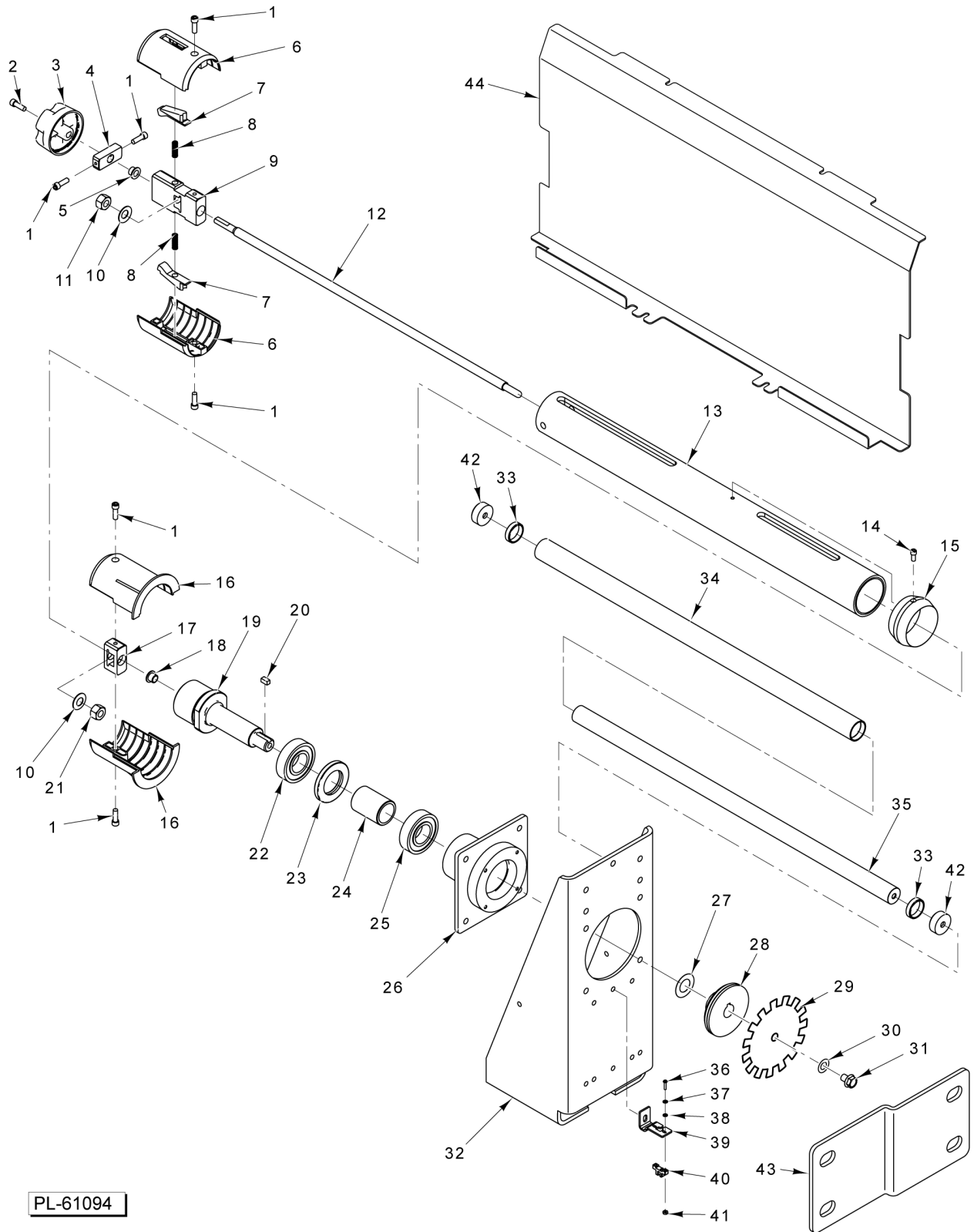
ILLUS.	PART NO.	NAME OF PART	AMT.
PL-61095			
1	SC-067-13	Mach. Screw 10-32 x 1/2 Slotted Hex Hd. (SST).....	1
2	WL-006-07	Lockwasher #10 Helical (SST).....	1
3	00-444271	Bushing.....	1
4	00-444272	Link - Latch.....	1
5	00-444273	Spring - Latch.....	1
6	00-444270	Washer.....	1
7	00-444259	Link - Latch.....	1
8	KW-003-04	Key 1/8 x 1/2.....	2
9	00-444261	Handle.....	1
10	NS-018-10	Jam Nut 5/16-24 Hex (SST).....	1
11	RP-006-04	Pin - Roll (0.187).....	1
12	RP-006-41	Pin - Roll.....	1
13	00-446209	Slide (LH).....	1
14	00-446208	Slide (RH).....	1
15	SC-129-53	Set Screw 1/4-20 x 3/4 Hex Hdls., Dog Pt. (SST).....	4
16	00-445127	Block - Roller Adjust.....	4
17	SC-100-08	Mach. Screw 1/4-20 x 3/8 Hex Washer Hd.	2
18	00-043411	Bearing (Nyliner).....	1
19	00-446205	Bracket - Support (LH).....	1
20	00-446204	Bracket - Support (RH).....	1
21	00-444257	Shaft - Slide.....	2
22	RR-009-10	Retaining Ring 3/8 In. (SST).....	2
23	RR-009-10	Retaining Ring 3/8 In. (SST).....	2
24	SC-116-32	Cap Screw 10-32 x 3/8 Hex Hd. (SST).....	1
25	00-444267	Stud - Film Roller (Rear).....	1
26	00-444264	Washer.....	1
27	SC-116-32	Cap Screw 10-32 x 3/8 Hex Hd. (SST).....	4
28	00-445278	Roller Assy. (Rubber).....	1
29	00-444264	Washer.....	1
30	00-444267	Stud - Film Roller (Rear).....	1
31	SC-116-32	Cap Screw 10-32 x 3/8 Hex Hd. (SST).....	1
32	00-444268	Stud - Film Roller (Front).....	1
33	00-444264	Washer.....	1
34	00-444263	Roller Assy. - Film Selector.....	1
35	00-444264	Washer.....	1
36	00-444268	Stud - Film Roller (Front).....	1
37	00-445491	Separator - Film.....	1
38	00-444253	Guide - Film.....	1
39	WL-006-07	Lockwasher #10 Helical (SST).....	2
40	SC-067-13	Mach. Screw 10-32 x 1/2 Slotted Hex Hd. (SST).....	2
41	00-444269	Guide - Lower.....	1
42	RR-010-12	Retaining Ring.....	3
43	00-444258	Shaft - Latch.....	1
44	RR-010-12	Retaining Ring.....	3
45	00-446203	Spacer - Film Changer.....	1
46	SC-129-49	Mach. Screw 1/4-20 x 1/2 Hex Washer Hd. (SST).....	2
47	00-446206	Bracket - Support (RH).....	1
48	00-446207	Bracket - Support (LH).....	1
49	00-041488	Bearing (Nyliner).....	4
50	00-448755	Sensor - Position.....	1
51	00-449945	Magnet Assy.....	1
52	NS-018-01	Jam Nut 1/4-20 Hex (SST).....	2



FILM SELECTOR (NGW2)

FILM SELECTOR (NGW2)

ILLUS.	PART NO.	NAME OF PART	AMT.
PL-61047			
1	SC-067-13	Mach. Screw 10-32 x 1/2 Slotted Hex Hd. (SST)	AR
2	WL-006-07	Lockwasher #10 Helical (SST)	AR
3	00-444271	Bushing	1
4	00-444272	Link - Latch	1
5	00-444273	Spring - Latch	1
6	00-444270	Washer	1
7	00-444259	Link - Latch	1
8	KW-003-04	Key 1/8 x 1/2	2
9	00-444261	Handle	1
10	RP-006-04	Pin - Roll (0.187)	2
11	RP-006-41	Pin - Roll	1
12	00-041488	Bearing (Nyliner)	4
13	00-444269	Guide - Lower	4
14	00-444264	Washer	8
15	00-444267	Stud - Film Roller (Rear)	4
16	SC-116-32	Cap Screw 10-32 x 3/8 Hex Hd. (SST)	8
17	00-445491	Separator - Film Changer	2
18	00-445278	Roller Assy. (Rubber)	2
19	00-444263	Roller Assy. - Film Selector	2
20	00-444253	Guide - Film	2
21	00-444269	Guide - Lower	2
22	RR-010-12	Retaining Ring	2
23	00-444258	Shaft - Latch	3
24	RR-009-10	Retaining Ring 3/8 In. (SST)	8
25	00-444257	Shaft - Slide	4
26	00-444255-00002	Bracket - Support (LH)	1
27	00-444255-00001	Bracket - Support (RH)	1
28	00-445127	Block - Roller Adjust	4
29	SC-055-25	Set Screw 1/4-20 x 1 Hdls	4
30	00-445126	Bracket - Latch	2
31	00-445350	Rod - Selector Assy	1
32	00-043411	Bearing (Nyliner)	1
33	00-448755	Sensor - Position	2
34	00-449945	Magnet Assy	1
35	NS-018-01	Jam Nut 1/4-20 Hex (SST)	2

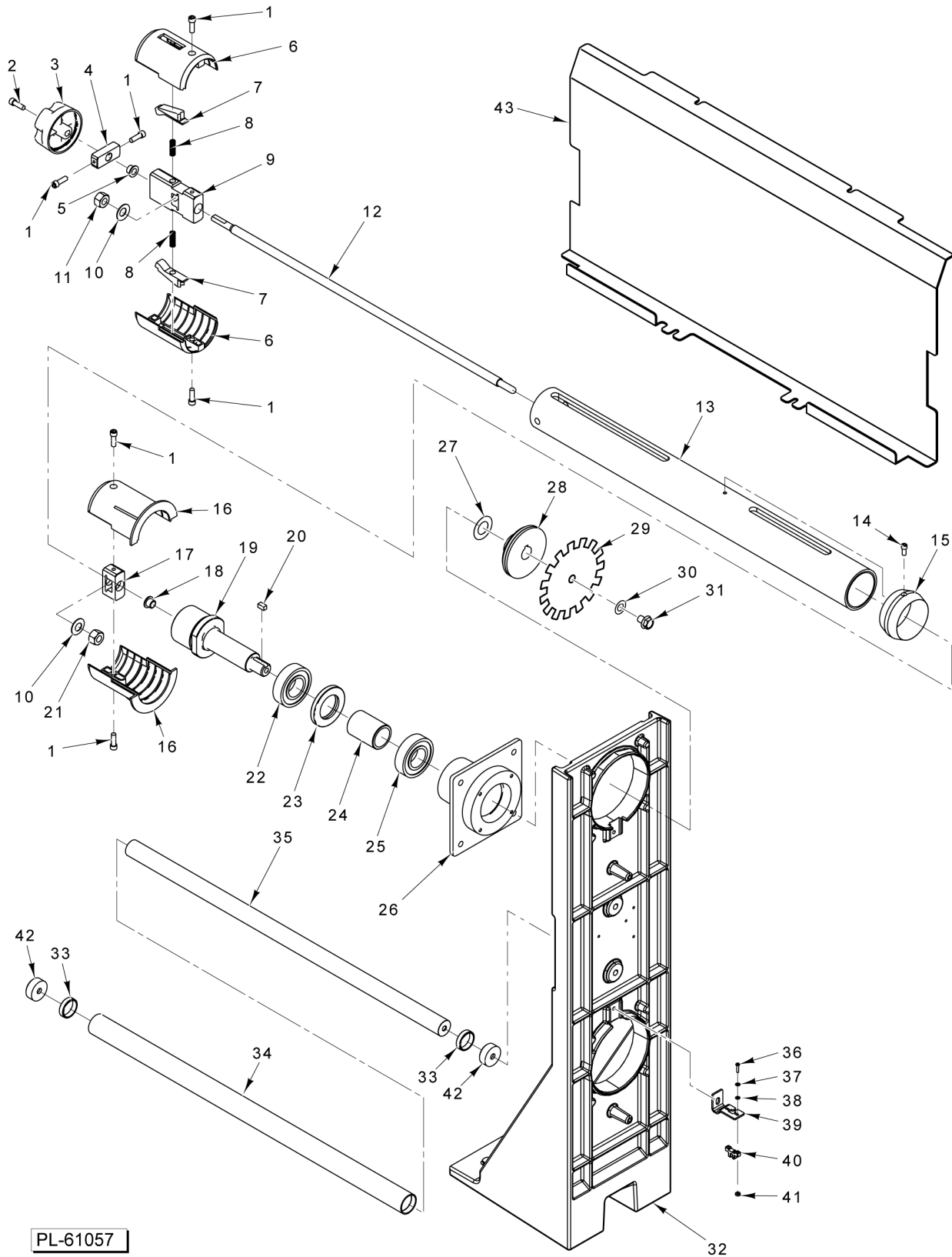


PL-61094

FILM SUPPLY ARBOR (NGW1)

FILM SUPPLY ARBOR (NGW1)

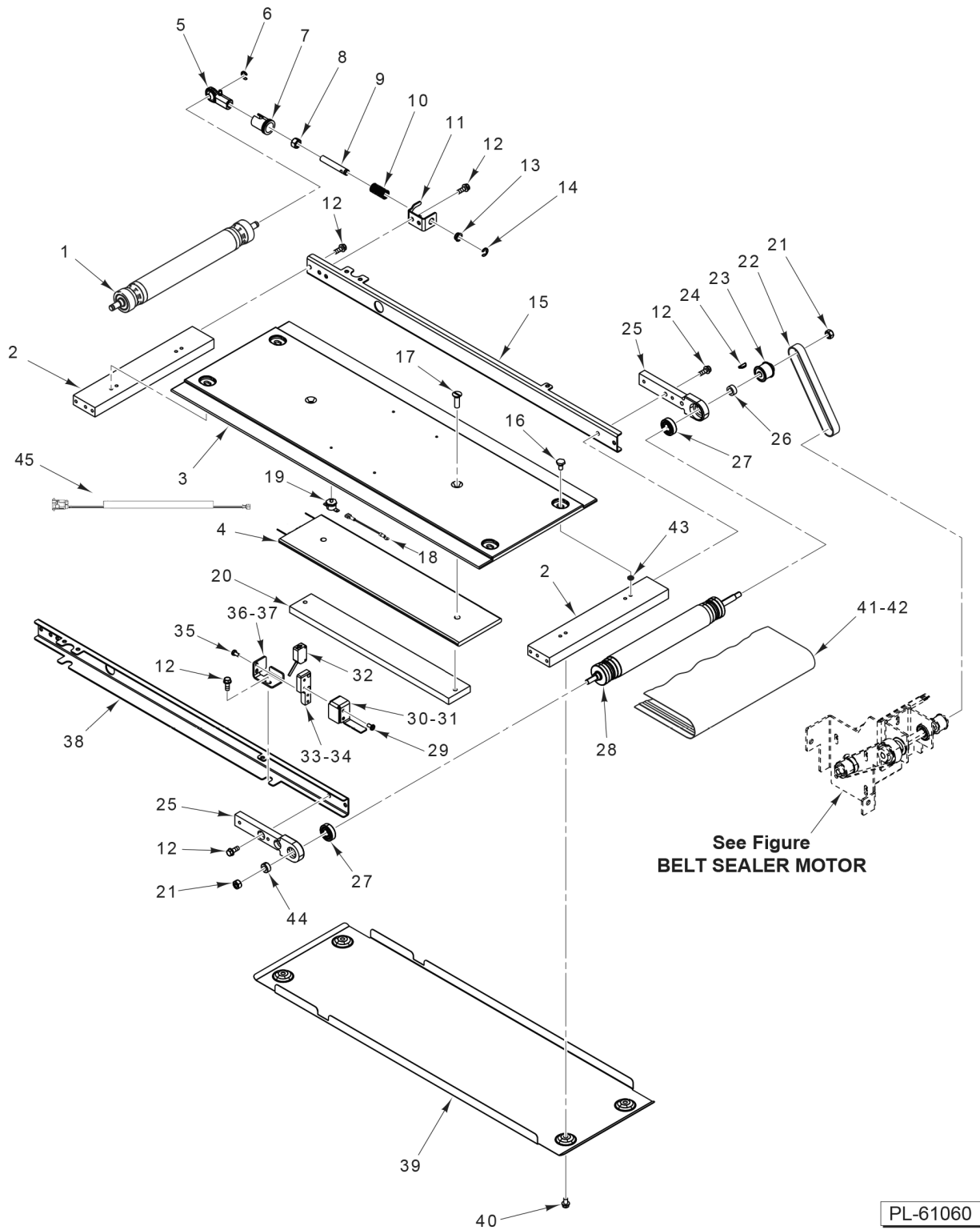
ILLUS.	PART NO.	NAME OF PART	AMT.
1	SC-059-29	Cap Screw 1/4-20 x 1/2 Hex Socket Hd. (SST).....	6
2	SC-123-92	Mach. Screw 1/4-20 x 5/8 Hex Washer Hd.....	1
3	00-444161	Knob - Film Supply.....	1
4	00-444158	Hub - Supply Shaft.....	1
5	00-442611-00008	Bushing - Sleeve.....	1
6	00-444159	Collar - Retainer.....	2
7	00-444164	Retainer - Film Supply.....	2
8	00-444162	Spring.....	2
9	00-444169	Hub - Retainer Film Supply.....	1
10	00-444481	Washer - Spring.....	2
11	NS-049-05	Nut 1/2-13 Hex (SST).....	1
12	00-444168	Shaft - Film Supply.....	1
13	00-444170	Tube Assy. - Film Supply (Incls. Items 18 & 19).....	1
14	SC-122-29	Cap Screw 10-32 x 3/8 Socket Hex Hd.....	1
15	00-444165	Sleeve - Film Shaft.....	1
16	00-913102-00174	Kit - Drive Collar & Film Grip (2 per shaft).....	1
17	00-444167	Collar - Hub Film Supply.....	1
18	00-442611-00008	Bushing - Sleeve.....	1
19	00-444171	Arbor - Film Supply.....	1
20	00-444479	Key.....	1
21	NS-015-20	Nut 1/2-13 Hex (SST).....	1
22	00-444144	Bearing - Film Supply.....	1
23	00-445051	Seal - Shaft.....	1
24	00-445050	Spacer - Bearing.....	1
25	00-444144	Bearing - Film Supply.....	1
26	00-444147	Housing - Bearing.....	1
27	00-444986-00003	Shim - Brake (Incls. Qty. of 2 0.010 Thk. and Qty. of 4 0.003 Thk.).....	1
28	00-448378	Brake Assy. (24 VDC).....	1
29	00-449237	Disc - Sensor.....	1
30	WS-018-40	Washer (SST).....	1
31	SC-129-72	Cap Screw 3/8-16 x 3/4 Hex Washer Hd. (SST).....	1
32	00-446482	Bracket - Film Roll.....	1
33	00-444150	Bearing - Film Supply.....	2
34	00-444145	Roller - Idler.....	1
35	00-444149	Shaft - Idler Roller.....	1
36	SC-018-55	Mach. Screw 4-40 x 1/2 Phil. Pan Hd.....	2
37	WL-013-02	Lockwasher #4 Internal Shakeproof (SST).....	2
38	WS-031-61	Washer (SST).....	2
39	00-449128	Bracket - Film Sensor.....	1
40	00-449141	Sensor Assy.....	1
41	NS-011-01	Nut 4-40 Hex (SST).....	2
42	00-444156	End Cap - Idler Roller.....	2
43	00-446483	Brace.....	1
44	00-449056	Panel - Rear.....	1
	00-444157	Arbor, Film Assy. (Incls. Items 1-19).....	1



FILM SUPPLY ARBOR (NGW2)

FILM SUPPLY ARBOR (NGW2)

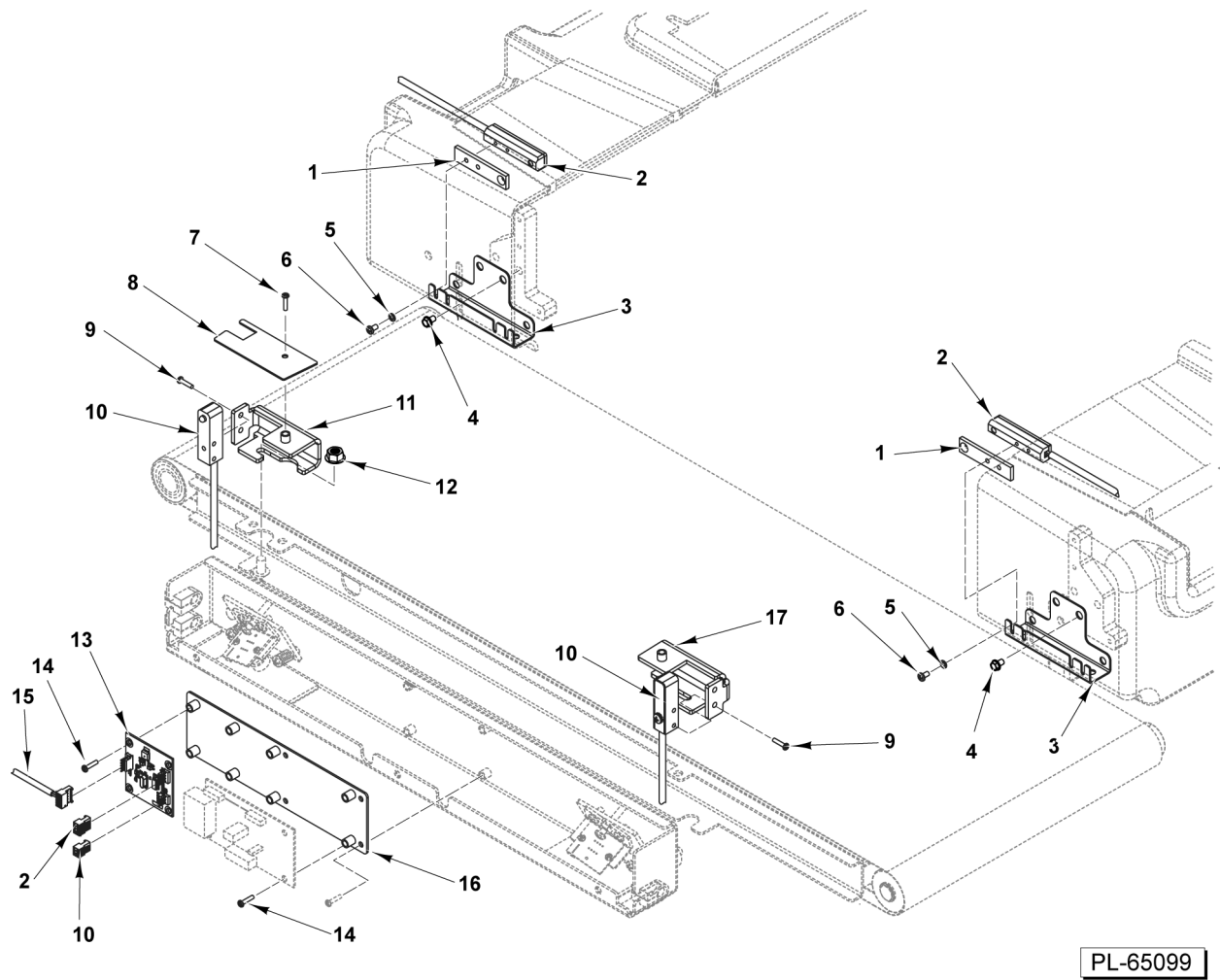
ILLUS.	PART NO.	NAME OF PART	AMT.
PL-61057			
1	SC-059-29	Cap Screw 1/4-20 x 1/2 Hex Socket Hd. (SST).....	6
2	SC-123-92	Mach. Screw 1/4-20 x 5/8 Hex Washer Hd.....	1
3	00-444161	Knob - Film Supply.....	1
4	00-444158	Hub - Supply Shaft.....	1
5	00-442611-00008	Bushing - Sleeve.....	1
6	00-444159	Collar - Retainer.....	2
7	00-444164	Retainer - Film Supply.....	2
8	00-444162	Spring.....	2
9	00-444169	Hub - Retainer Film Supply.....	1
10	00-444481	Washer - Spring.....	2
11	NS-049-05	Nut 1/2-13 Hex (SST).....	1
12	00-444168	Shaft - Film Supply.....	1
13	00-444170	Tube Assy. - Film Supply (Incls. Items 18 & 19).....	1
14	SC-122-29	Cap Screw 10-32 x 3/8 Socket Hex Hd.....	1
15	00-444165	Sleeve - Film Shaft.....	1
16	00-913102-00174	Kit - Drive Collar & Film Grip (2 per shaft).....	1
17	00-444167	Collar - Hub Film Supply.....	1
18	00-442611-00008	Bushing - Sleeve.....	1
19	00-444171	Arbor - Film Supply.....	1
20	00-444479	Key.....	1
21	NS-015-20	Nut 1/2-13 Hex (SST).....	1
22	00-444144	Bearing - Film Supply.....	1
23	00-445051	Seal - Shaft.....	1
24	00-445050	Spacer - Bearing.....	1
25	00-444144	Bearing - Film Supply.....	1
26	00-444147	Housing - Bearing.....	1
27	00-444986-00003	Shim - Brake (Incls. Qty. of 2 0.010 Thk. and Qty. of 4 0.003 Thk.).....	1
28	00-448378	Brake Assy. (24VDC).....	1
29	00-449237	Disc - Sensor.....	1
30	WS-018-40	Washer (SST).....	1
31	SC-129-72	Cap Screw 3/8-16 x 3/4 Hex Washer Hd. (SST).....	1
32	00-444148	Support - Film Supply.....	1
33	00-444150	Bearing - Film Supply.....	2
34	00-444145	Roller - Idler.....	1
35	00-444149	Shaft - Idler Roller.....	1
36	SC-018-55	Mach. Screw 4-40 x 1/2 Phil. Pan Hd.....	2
37	WL-013-02	Lockwasher #4 Internal Shakeproof (SST).....	2
38	WS-031-61	Washer (SST).....	2
39	00-449128	Bracket - Film Sensor.....	1
40	00-449141	Sensor Assy.....	1
41	NS-011-01	Nut 4-40 Hex (SST).....	2
42	00-444156	End Cap - Idler Roller.....	2
43	00-449056	Panel - Rear.....	1
	00-444157	Arbor, Film Assy. (Incls. Items 1-19).....	2



BELT SEALER ASSEMBLY / REFLECTIVE PKG. SENSOR

BELT SEALER ASSEMBLY / REFLECTIVE PKG. SENSOR

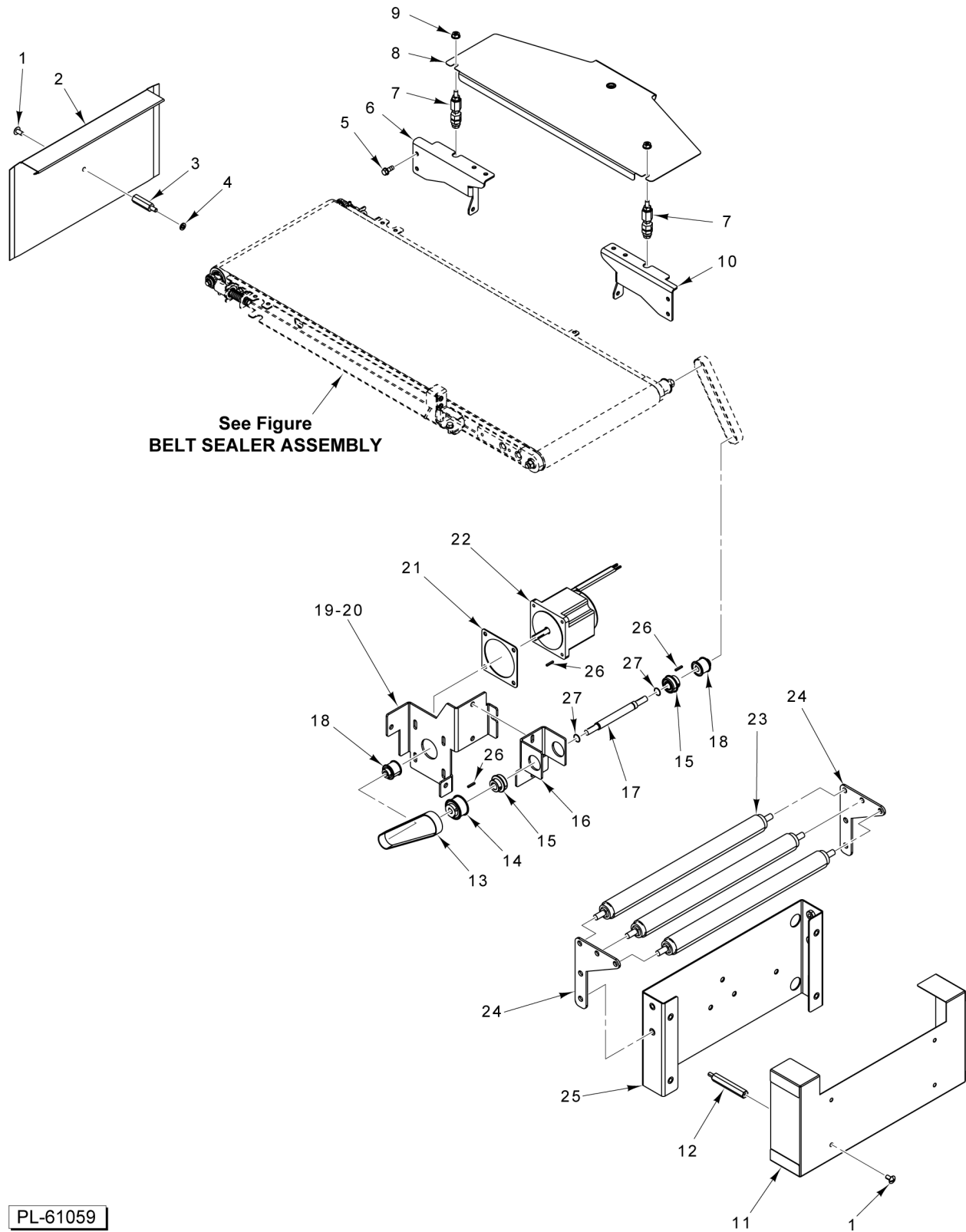
ILLUS.	PART NO.	NAME OF PART	AMT.
PL-61060			
1	00-444194	Pulley Assy.....	1
2	00-448461	Bar - Cross.....	2
3	00-448464	Plate - Hot.....	1
4	00-448457	Element - Heater (1400 W., 240 VAC).....	1
5	00-086800	Bearing - Rod End.....	2
6	RR-009-10	Retaining Ring 3/8 In. (SST).....	2
7	00-444189	Bushing - Rod End Bearing.....	2
8	NS-017-20	Jam Nut 3/8-24 Hex.....	2
9	00-444186	Shaft - Sealer.....	2
10	00-444174	Spring - Sealer Belt.....	2
11	00-449682	Bracket, Spring Retainer.....	2
12	SC-123-92	Mach. Screw 1/4-20 x 5/8 Hex Washer Hd.....	6
13	00-041488	Bearing (Nyliner).....	2
14	RR-009-10	Retaining Ring 3/8 In. (SST).....	2
15	00-448465	Rail Assy. (Left).....	1
16	00-444177	Spacer (Shoulder Bolt).....	4
17	SC-132-99	Screw, Mach. 5/16-18 X 1-3/8 Flat, HX, SST.....	2
18	00-448945	Thermocouple Ring Assy.....	1
19	00-448322	Sensor - Thermal Hi-Limit.....	1
20	00-448462	Bar - Heater.....	1
21	NS-015-11	Nut 5/16-18 Hex (SST).....	2
22	00-446215	Belt (200mm).....	1
23	00-443862	Pulley (18T).....	1
24	KW-004-09	Key - Woodruff.....	1
25	00-448467	Block - Bearing.....	2
26	00-445567	Spacer - Bearing.....	1
27	00-086780	Ball Bearing.....	1
28	00-447267	Pulley Assy.....	1
29	SC-018-62	Mach. Screw 10-24 x 3/8 Phil. Pan Hd.....	2
30	00-448513	Cover - Sensor (L-R).....	1
31	00-448516	Cover - Sensor (R-L).....	1
32	00-449147	Sensor - Photo.....	1
33	00-448512	Plate - Sensor (L-R).....	1
34	00-448515	Plate - Sensor (R-L).....	1
35	SC-116-32	Cap Screw 10-32 x 3/8 Hex Hd. (SST).....	2
36	00-448511	Bracket - Sensor (L-R).....	1
37	00-448521	Bracket - Sensor (R-L).....	1
38	00-448466	Rail Assy. (Right).....	1
39	00-448463	Pan - Sealer.....	1
40	SC-100-08	Mach. Screw 1/4-20 x 3/8 Hex Washer Hd.....	4
41	00-448082	Belt - Sealer (Includes Item 42).....	1
42	00-445023	Pin - Sealer Belt.....	1
43	WS-029-05	Washer 0.328 x 0.750 x 0.062 (SST).....	4
44	00-444182	Spacer - Bearing.....	1
45	00-448940	Cable Assy.....	1



PACKAGE SENSOR - BEAM BREAKER

PACKAGE SENSOR - BEAM BREAKER

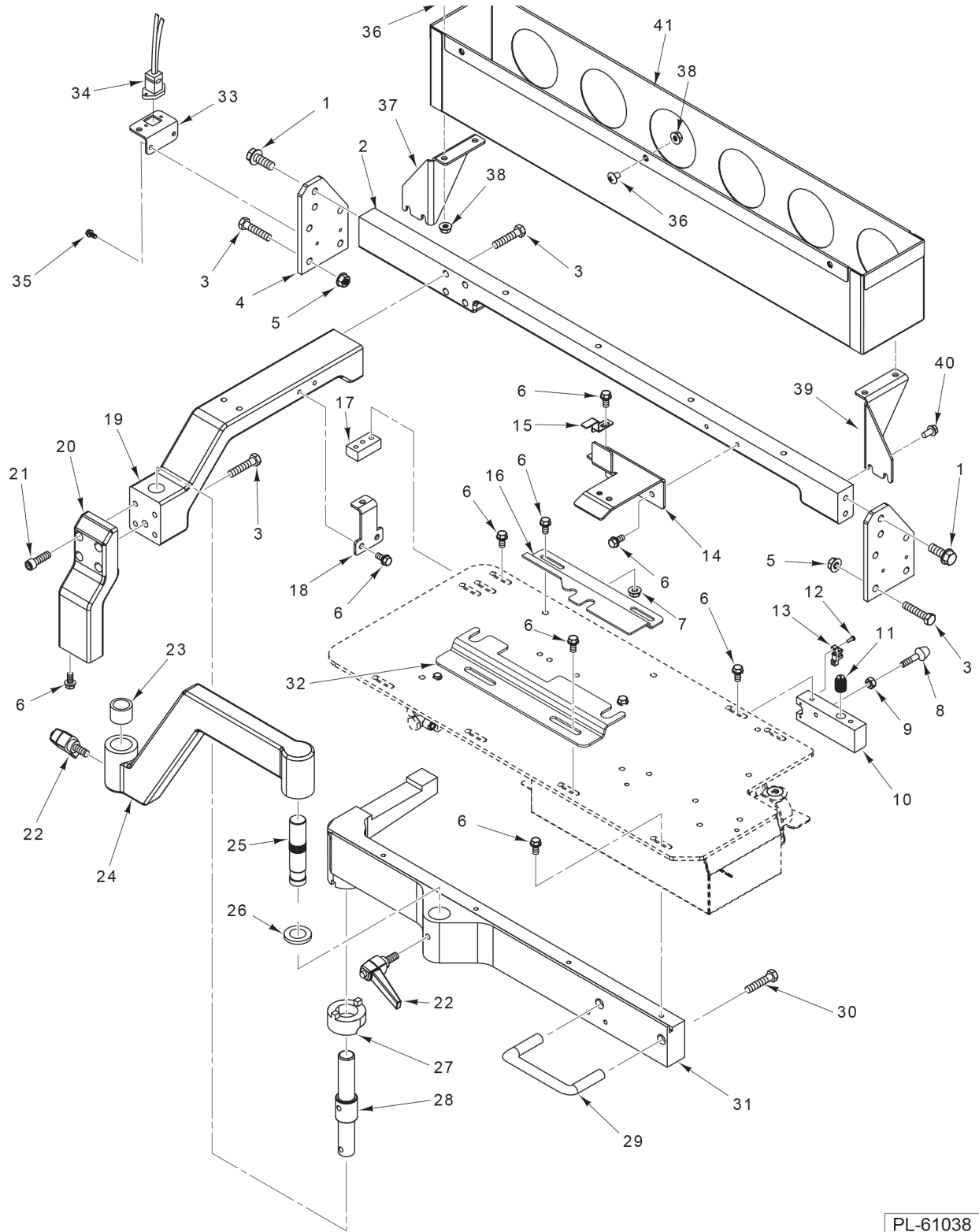
ILLUS.	PART NO.	NAME OF PART	AMT.
PL-65099			
1	00-449569	Plate - Detector Lens.....	1
2	00-447586	Sensor Assy. (Detector).....	1
3	00-449529	Bracket - Detector Mtg.....	1
4	SC-129-49	Mach. Screw 1/4-20 x 1/2 Hex Washer Hd. (SST).....	2
5	SA-021-63	Mach. Screw, 6-32 x 7/16.....	1
6	WS-023-47	Washer - #6 Flat.....	2
7	SC-093-04	Mach. Screw 8-32 x 1/2 Phil. Pan Hd. (SST).....	1
8	00-449524	Cover - Sensor Opening.....	1
9	SA-021-59	Mach. Screw Assy. 8-32 x 3/8.....	2
10	00-449525	Sensor Assy. (Emitter).....	1
11	00-449523	Bracket - Sensor (LH).....	1
12	NS-049-06	Lock Nut 1/4-20 (SST).....	1
13	00-449515	Package Sensor Board Assy.....	1
14	SC-018-34	Mach. Screw 8-32 x 1/2 Phil. Pan Hd.....	8
15	00-449610	Edge Sensor Jumper Cable Assy.....	1
16	00-449609	Sensor Board Mtg. Plate Assy.....	1
17	00-449522	Bracket Sensor - RH.....	1



BELT SEALER MOTOR

BELT SEALER MOTOR

ILLUS.	PART NO.	NAME OF PART	AMT.
PL-61059			
1	SC-053-41	Mach. Screw 1/4-20 x 1/2 Slotted Truss Hd. (SST).....	5
2	00-448660	Cover - Sealer End.....	1
3	00-444448	Standoff - Side Cover.....	1
4	WL-003-38	Lockwasher 1/4 Helical.....	1
5	SC-129-49	Mach. Screw 1/4-20 x 1/2 Hex Washer Hd. (SST).....	AR
6	00-445343	Bracket - Sealer (LH).....	1
7	00-446708	Support Assy. - Sealer Belt.....	2
8	00-446211	Cover - Belt.....	1
9	NS-049-06	Lock Nut 1/4-20 (SST).....	2
10	00-445342	Bracket - Sealer (RH).....	1
11	00-449028	Cover - Sealer (Motor End).....	1
12	00-449031	Standoff.....	4
13	00-449163	Belt - Timing (375mm).....	1
14	00-443863	Pulley (22T).....	1
15	00-183969	Bearing - Flanged.....	2
16	00-448982	Bracket - Belt.....	1
17	00-448981	Shaft - Sealer Drive.....	1
18	00-443860	Pulley (16T).....	2
19	00-448934	Plate - Motor (L-R).....	1
20	00-448933	Plate - Motor (R-L).....	1
21	00-443963	Spacer - Motor Mounting.....	1
22	00-448371	Motor - Brushless (220 W.) (82 In. Motor Lead) (10-Pole) (Sealer Drive).....	1
23	00-444790	Spring Roller Assy.....	3
24	00-449029	Bracket - Roller.....	2
25	00-449027	Bracket - Discharge.....	1
26	KW-004-09	Key - Woodruff.....	3
27	RR-010-12	Retaining Ring.....	2



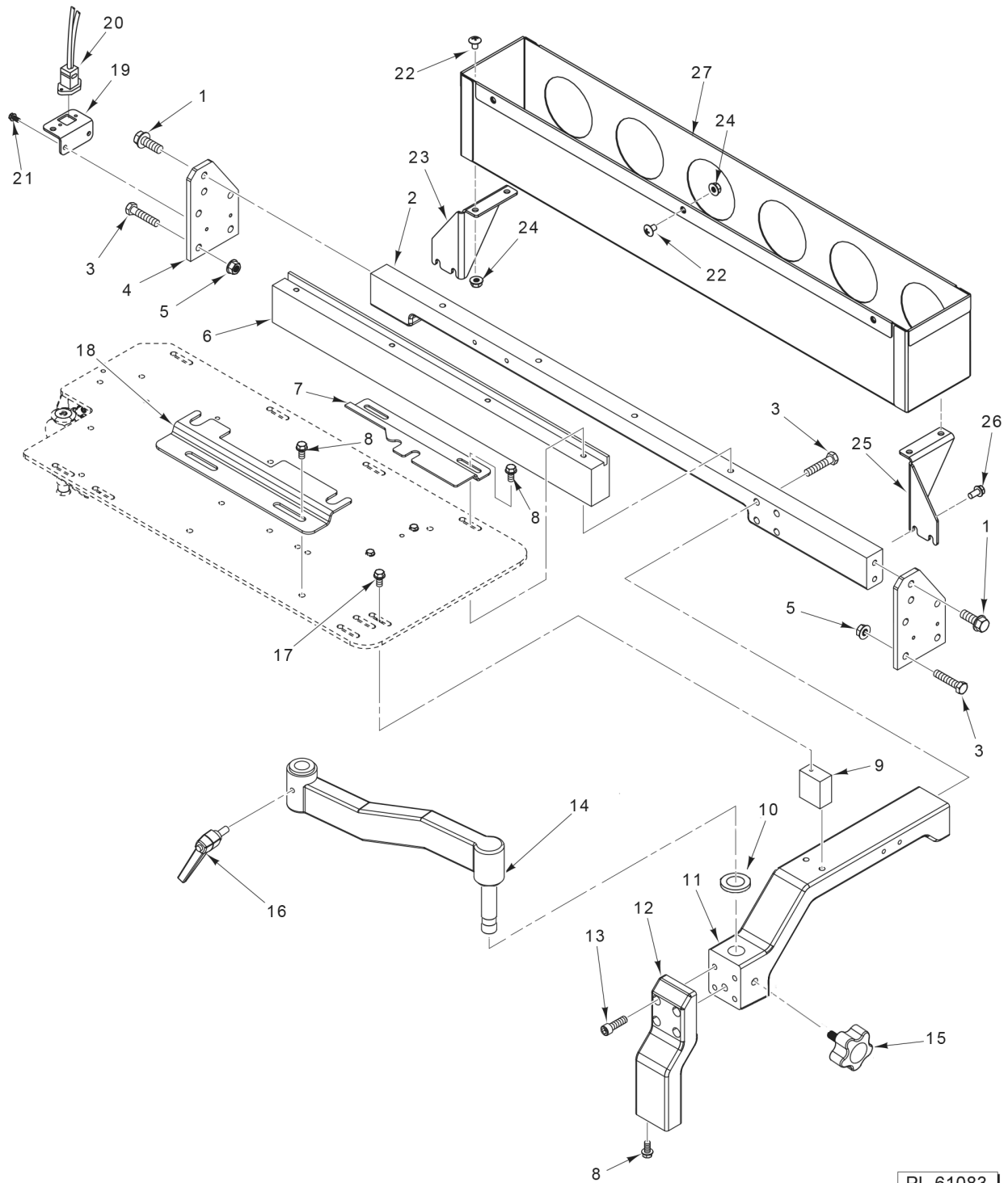
PL-61038

LABEL APPLIER SUPPORT (L-R)

LABEL APPLIER SUPPORT (L-R)

ILLUS.	PART NO.	NAME OF PART	AMT.
PL-61038			
1	SC-123-50	Cap Screw 3/8-16 x 1 Hex Washer Hd.....	4
2	00-448475	Bar - Support.....	1
3	SC-041-17	Cap Screw 5/16-18 x 1-1/2 Hex Hd. (SST).....	13
4	00-448476	Plate - Cross Bar.....	2
5	NS-038-11	Lock Nut 5/16-18 Hex.....	8
6	SC-129-49	Mach. Screw 1/4-20 x 1/2 Hex Washer Hd. (SST).....	AR
7	NS-049-06	Lock Nut 1/4-20 (SST).....	AR
8	00-443742	Bumper.....	1
9	NS-017-03	Jam Nut 1/4-20 Hex.....	1
10	00-448484	Block - Swing.....	1
11	00-448548	Ball - Catch.....	1
12	SC-113-10	Mach. Screw 4-40 x 3/8 Phil. Pan Hd.....	2
13	00-449141	Sensor Assy. (No longer used Firmware does not support).....	1
14	00-448482	Bracket - Magnet Support.....	1
15	00-448486	Bracket - Indicator.....	1
16	00-448776	Bracket - Foot Retainer.....	3
17	00-448483	Block - Support.....	1
18	00-448481	Bracket - Support.....	1
19	00-448473	Support - Vertical.....	1
20	00-448474	Support - Vertical.....	1
21	SC-059-32	Cap Screw 5/16-18 x 1 Hex Socket Hd.....	4
22	00-442734	Knob - Console Mount.....	2
23	00-444320	Bearing.....	2
24	00-448488	Arm - Display Pivot.....	1
25	00-448485	Shaft - Display Pivot.....	1
26	00-449496	Washer - Nylon.....	1
27	00-448478	Cam - Rotary.....	1
28	00-448477	Pin - Pivot.....	1
29	00-448549	Handle.....	1
30	SC-125-71	Mach. Screw 10-32 x 1-1/4 Phil. Pan Hd. (SST).....	2
31	00-448480	Support Assy. (Printer).....	1
32	00-448775	Bracket - Foot Retainer.....	1
33	00-449067	Bracket - Ethernet.....	1
34	00-449277	Cable Assy. (Ethernet).....	1
35	SC-100-04	Mach. Screw 10-24 x 3/8 Hex Washer Hd.....	2
*36	SC-132-42	Mach. Screw, 1/4-20 x 3/8.....	7
*37	00-448552	Bracket - RH Cover Box.....	1
*38	NS-049-06	Lock Nut 1/4-20 (SST).....	7
*39	00-448553	Bracket - LH Cover Box.....	1
*40	SC-129-49	Mach. Screw 1/4-20 x 1/2 Hex Washer Hd. (SST).....	4
*41	00-448551	Box - Waterproof Cover (Incls Items 36-41).....	1

* (ML-44264)



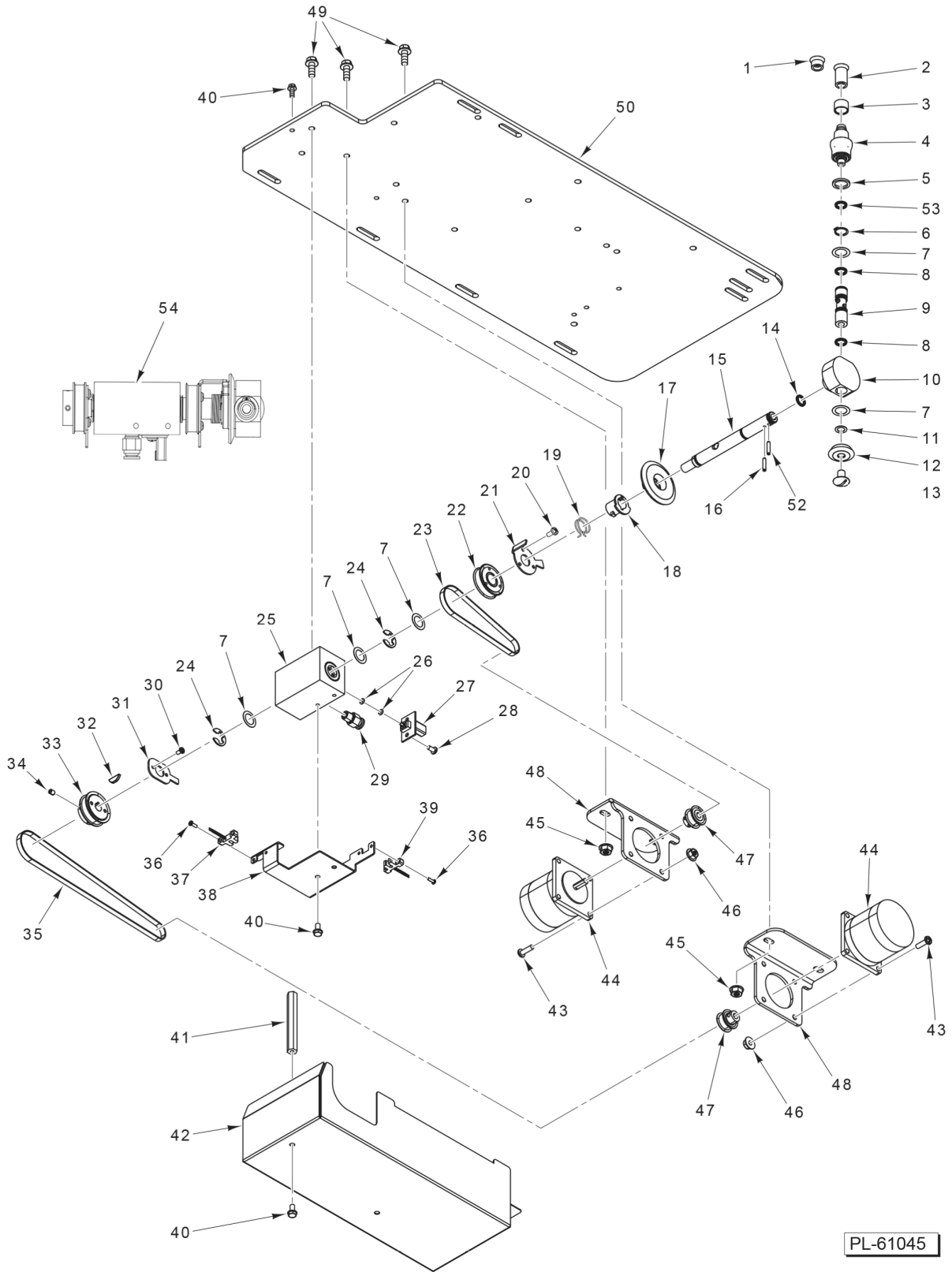
PL-61083

LABEL APPLIER SUPPORT (R-L)

LABEL APPLIER SUPPORT (R-L)

ILLUS.	PART NO.	NAME OF PART	AMT.
PL-61083			
1	SC-123-50	Cap Screw 3/8-16 x 1 Hex Washer Hd.....	4
2	00-448475	Bar - Support.....	1
3	SC-041-17	Cap Screw 5/16-18 x 1-1/2 Hex Hd. (SST).....	13
4	00-448476	Plate - Cross Bar.....	2
5	NS-038-11	Lock Nut 5/16-18 Hex.....	8
6	00-448489	Support - Printer.....	1
7	00-448776	Bracket - Foot Retainer.....	1
8	SC-129-49	Mach. Screw 1/4-20 x 1/2 Hex Washer Hd. (SST).....	AR
9	00-448490	Block - Support.....	1
10	00-449496	Washer - Nylon.....	1
11	00-448473	Support - Vertical.....	1
12	00-448474	Support - Vertical.....	1
13	SC-059-32	Cap Screw 5/16-18 x 1 Hex Socket Hd.....	4
14	00-449969	Arm Assy. Display R-L.....	1
15	00-448495	Knob.....	1
16	00-442734	Latch - Handle.....	1
17	SC-067-06	Mach. Screw 10-24 x 1/2 Hex Hd.....	1
18	00-448775	Bracket - Foot Retainer.....	1
19	00-449067	Bracket - Ethernet.....	1
20	00-449277	Cable Assy.....	2
21	SC-100-04	Mach. Screw 10-24 x 3/8 Hex Washer Hd.....	2
*22	SC-132-42	Mach. Screw, 1/4-20 x 3/8.....	7
*23	00-448552	Bracket - RH Cover Box.....	1
*24	NS-049-06	Lock Nut 1/4-20 (SST).....	7
*25	00-448553	Bracket - LH Cover Box.....	1
*26	SC-129-49	Mach. Screw 1/4-20 x 1/2 Hex Washer Hd. (SST).....	4
*27	00-448551	Box - Waterproof Cover (Incls. Items 22-27).....	1

* (ML-44265)

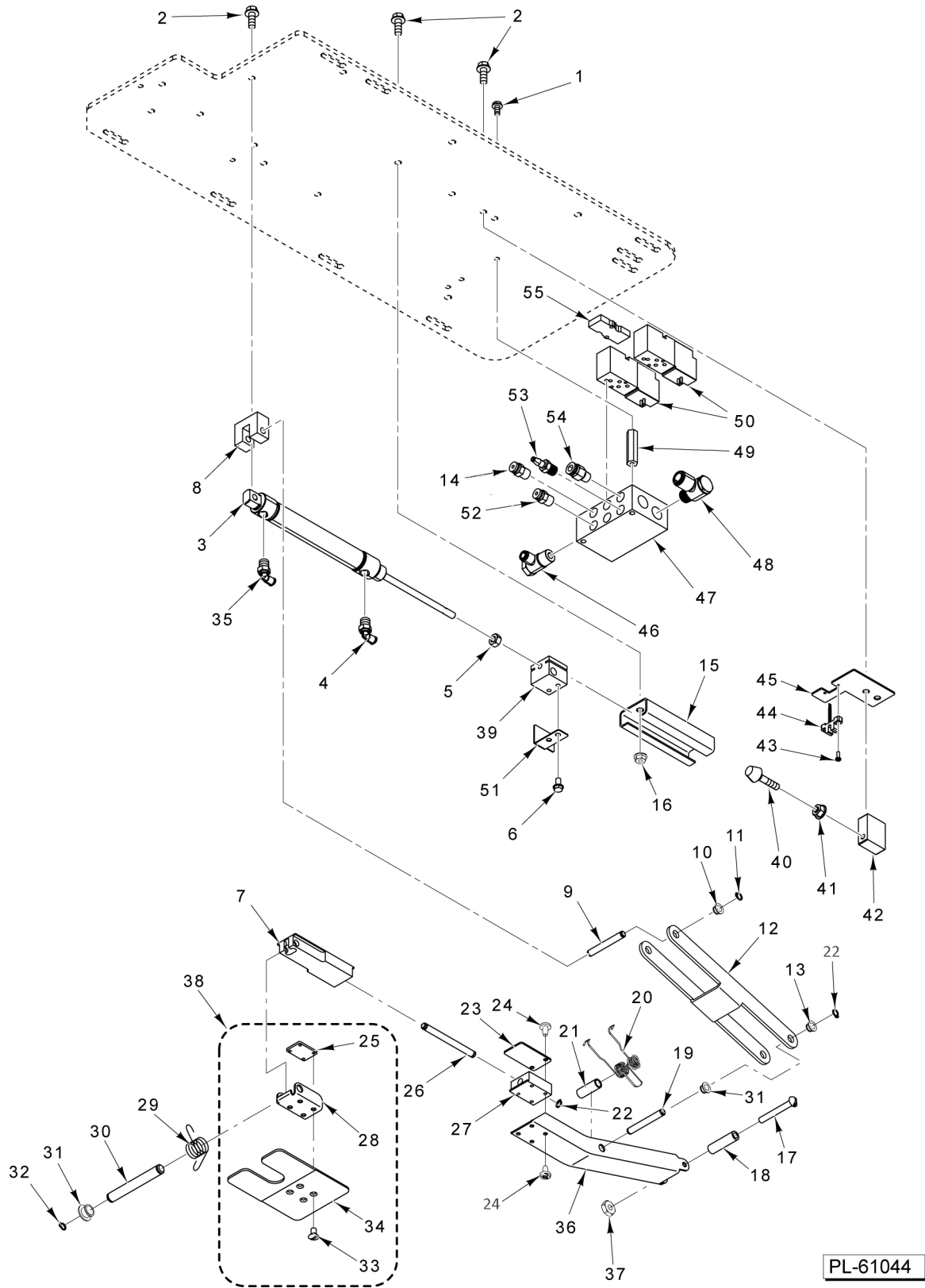


**LABEL APPLIER
(WAND AND MOTORS)**

PL-61045

**LABEL APPLIER
(WAND AND MOTORS)**

ILLUS.	PART NO.	NAME OF PART	AMT.
PL-61045			
1	00-443494	Wand Cup - Flared Tip.....	1
2	00-449464	Wand Cup - Staraight Tip (Recommended).....	1
3	00-443583	Sleeve - Bearing.....	1
4	00-446525	Wand Assy. - Pop Up (Incls. Items 1, 2, 3, & 5).....	1
5	00-441526	Seal - Rear Housing.....	1
6	RR-004-05	Retaining Ring.....	1
7	WS-030-58	Washer 0.500 x 0.750 x 0.010 (SST).....	5
8	00-448126	Quad Ring.....	2
9	00-448429	Tube - Swing Assy. (Incls. Item 8).....	1
10	00-449008	Bearing - Wand.....	1
11	WS-017-32	Washer.....	1
12	00-041681	Pinion.....	1
13	SC-053-15	Mach. Screw 5/16-18 x 1/2 Slotted Truss Hd. (SST).....	1
14	00-448126	Quad Ring.....	1
15	00-448414	Shaft - Wand.....	1
16	PS-005-18	Spiral Pin 1/8 Dia x 9/16 Lg.....	1
17	00-041680	Gear.....	1
18	00-443027	Sleeve-Spring.....	1
19	00-449447	Spring - Torsion.....	1
20	SC-018-28	Mach. Screw 6-32 x 1/4 Phil. Pan Hd.....	3
21	00-443026	Plate - Pulley Stop.....	1
22	00-443040	Pulley Assy.- Wand.....	1
23	00-041638	Belt - Printer.....	1
24	RR-010-12	Retaining Ring.....	1
25	00-449007	Pivot - Block Assy.....	1
26	OR-001-34	O-Ring.....	2
27	00-448771	Sensor (Vacuum).....	1
28	SC-018-33	Mach. Screw 8-32 x 5/16 Phil. Pan Hd.....	2
29	00-444464	Fitting - Tube (Straight Male).....	1
30	SC-018-28	Mach. Screw 6-32 x 1/4 Phil. Pan Hd.....	2
31	00-448394	Plate - Stop.....	1
32	KW-004-09	Key - Woodruff.....	1
33	00-448419	Sprocket (Incls. Item 34).....	1
34	SC-125-19	Set Screw 10-32 x 1/4 Hex Hdls., Cup Pt. (SST).....	2
35	00-448424	Belt - Wand Rotation.....	1
36	SC-113-10	Mach. Screw 4-40 x 3/8 Phil. Pan Hd.....	6
37	00-449141	Sensor Assy. (Wand).....	2
38	00-448396	Bracket - Sensor Mounting.....	1
39	00-449141	Sensor Assy. (Arm).....	1
40	SC-100-04	Mach. Screw 10-24 x 3/8 Hex Washer Hd.....	6
41	00-445159	Standoff.....	2
42	00-449021	Cover - Applier.....	1
43	SC-121-77	Mach. Screw 10-24 x 5/8 Phil. Pan Hd.....	8
44	00-443368	Motor Assy.-Stepper L.A.....	2
45	NS-049-06	Lock Nut 1/4-20 (SST).....	4
46	NS-038-02	Lock Nut 10-24.....	8
47	00-443029	Pulley (20T).....	2
48	00-443011	Bracket - Motor.....	2
49	SC-129-50	Mach. Screw 1/4-20 x 5/8 Hex Washer Hd. (SST).....	AR
50	00-448471	Plate - Printer Support.....	1
51	00-449495	Gasket, Sensor (Used with item 27).....	1
52	PS-005-15	Spiral Pin 1/8 Dia. x 5/8 Lg.....	1
53	00-441580-00002	O-Ring (Add around outside of Seal, Item 5).....	1
54	00-449001	Wand Block Assy. (Incls. 6-22, 24-34 & 51).....	1
	00-450004	Kit, Vacuum Sensor (Includes 26, 27, & 51).....	1



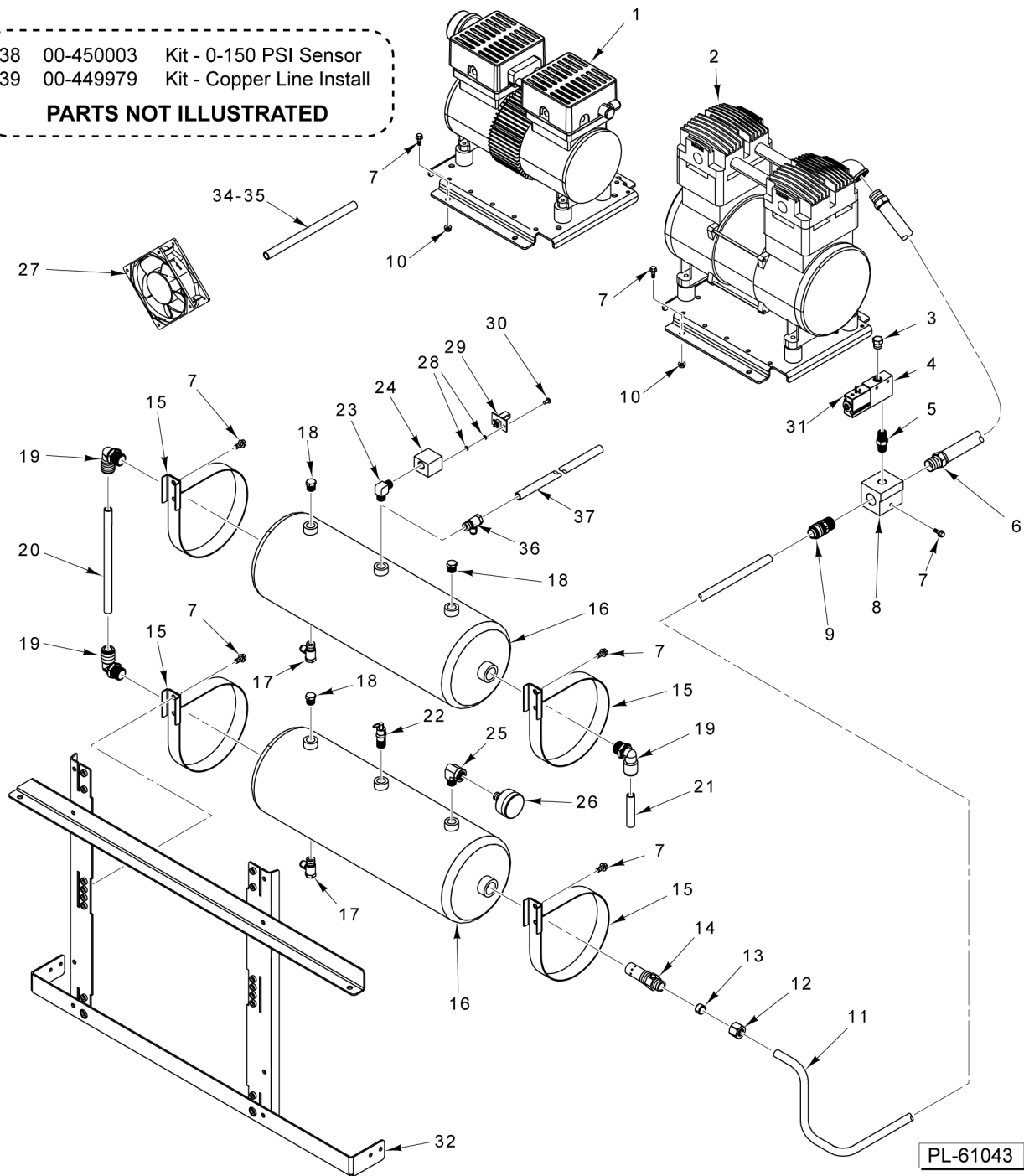
PL-61044

LABEL APPLIER (ARM)

LABEL APPLIER (ARM)

ILLUS.	PART NO.	NAME OF PART	AMT.
PL-61044			
1	SC-100-04	Mach. Screw 10-24 x 3/8 Hex Washer Hd.....	AR
2	SC-129-50	Mach. Screw 1/4-20 x 5/8 Hex Washer Hd. (SST).....	AR
3	00-446029	Cylinder - Applier 0.75 x 3.5 In. Stroke.....	1
4	00-444121	Fitting - Elbow.....	1
5	NS-017-03	Jam Nut 1/4-20 Hex.....	1
6	SC-100-04	Mach. Screw 10-24 x 3/8 Hex Washer Hd.....	2
7	00-449790	Pivot Assy. Applier (Incls. Item 26).....	1
8	00-443002	Pivot - Applier.....	1
9	00-041850	Pin - Upper Pivot.....	1
10	00-175560	Bushing - Nyliner.....	2
11	RR-004-01	Retaining Ring.....	2
12	00-446314	Link - Applier.....	1
13	00-175560	Bushing - Nyliner.....	2
14	00-449407	Fitting, 5/32 X 1/8 NPT Straight.....	1
15	00-447653	Support - Slide.....	1
16	NS-049-06	Lock Nut 1/4-20 (SST).....	1
17	SC-081-44	Mach. Screw 10-32 x 1-1/2 Slotted Rd. Hd.....	1
18	00-041853	Spacer - Arm Pivot.....	1
19	00-041850	Pin - Upper Pivot.....	1
20	00-447235	Spring - Applier.....	1
21	00-444525	Spacer - Torsion Spring.....	1
22	RR-004-01	Retaining Ring.....	4
23	00-042120	Spring - Applier.....	1
24	SD-007-13	Self-Tapping Screw 6-20 x 1/4 Phil. Pan Hd., Type B.....	6
25	00-444048	Plate - Nut.....	1
26	00-042114	Pin - Applier.....	1
27	00-042076	Block - Pin.....	1
28	00-443036	Support - Applier Pad.....	1
29	00-443035	Spring - Torsion.....	1
30	00-443007	Pin - Applier.....	1
31	00-043253	Bushing - Nyliner.....	2
32	RR-004-01	Retaining Ring.....	2
33	SC-129-13	Mach. Screw 6-32 x 1/4 Phil. Flat Hd. (SST).....	4
34	00-449731	Applier, Label.....	1
35	00-449411	Fitting, 5/32 X 1/8 NPT 90.....	1
36	00-042073	Arm - Label Applier.....	1
37	NS-031-49	Stop Nut 10-32 Hex (SST).....	1
38	00-449732	Applier Pad Assy. (Incls. Items 25, 28, 33, & 34).....	1
39	00-443004	Block - Slide.....	1
40	00-443742	Bumper.....	1
41	NS-049-06	Lock Nut 1/4-20 (SST).....	1
42	00-443896	Block - Cylinder Stop.....	1
43	SC-113-10	Mach. Screw 4-40 x 3/8 Phil. Pan Hd.....	2
44	00-449141	Sensor Assy. (Arm).....	1
45	00-448395	Bracket - Applier Switch.....	1
46	00-444052	Fitting - Tube (Banjo Elbow) (For Pressure Red Hose).....	1
47	00-446798	Manifold - Valve.....	1
48	00-448903	Fitting - Elbow (Push to Connect) (For Vacuum Blue Hose).....	1
49	00-445158	Standoff.....	2
50	00-449019	Valve Assy. (24 VDC) (Humphrey).....	2
51	00-448393	Bracket - Sensor.....	1
52	00-443017	Fitting - Tube Male Connector.....	1
53	00-041720	Silencer - Valve.....	1
54	00-444464	Fitting - Tube (Straight Male).....	1
55	00-447303	Plate - Valve Seal.....	1
	00-449747	Arm Assy. Applier (Incls. Items 3-5, 7-14, 17-37, & 39).....	1

38 00-450003 Kit - 0-150 PSI Sensor
 39 00-449979 Kit - Copper Line Install
PARTS NOT ILLUSTRATED

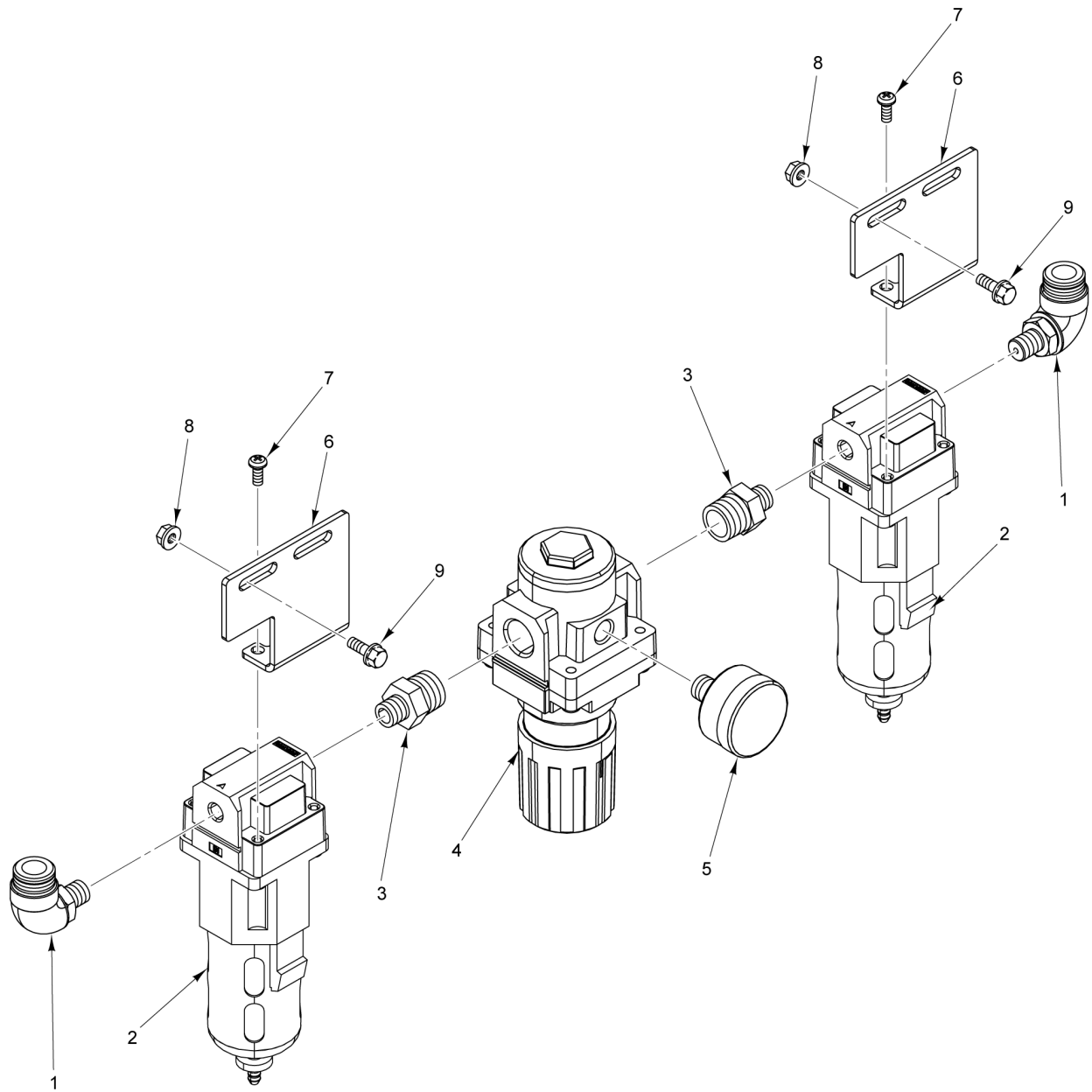


PL-61043

VACUUM PUMP, COMPRESSOR, AND TANKS

VACUUM PUMP, COMPRESSOR, AND TANKS

ILLUS. PL-61043	PART NO.	NAME OF PART	AMT.
1	00-448993	Pump - Vacuum.....	1
2	00-448992	Compressor Assy.....	1
3	00-449467	Muffler (1/4 NPT).....	1
4	00-449020	Valve Assy. (24 VDC) (Humphrey).....	1
5	FP-040-13	Pipe 1/4 x 1-1/2 TBE (Brass).....	1
6	00-449199	Hose Assy.....	1
7	SC-129-49	Mach. Screw 1/4-20 x 1/2 Hex Washer Hd. (SST).....	AR
8	00-448922	Block - Airline.....	1
9	00-449090	Connector 1/2 NPT to 1/2 Tube.....	1
10	NS-049-06	Lock Nut 1/4-20 (SST).....	AR
11	NLA	No Longer Available (Order Kit, 00-449979).....	1
12	NLA	No Longer Available (Order Kit, 00-449979).....	1
13	FP-077-24	Ferrule 1/2 Tube (Brass).....	1
14	00-449087	Valve - Check 1/2 MPT.....	1
15	00-449076	Clamp.....	4
16	00-449071	Tank.....	2
17	00-444052	Fitting - Tube (Banjo Elbow).....	2
18	FP-028-07	Pipe Plug 1/4 Sq. Hd. (Brass).....	3
19	00-449078	Elbow.....	3
20	00-449291-00002	Tubing (Cut to 12" Length).....	1
21	00-449291-00002	Tubing.....	1
22	00-449080	Valve - Pressure Relief (160 PSI).....	1
23	00-449088	Elbow.....	1
24	00-449089	Block.....	1
25	FP-015-06	Elbow 90 Degree x 1/4 Pipe Street.....	1
26	00-449082	Gauge.....	1
27	00-447873	Fan.....	2
28	OR-001-34	O-Ring.....	2
29	00-448769	Board (0-150 PSI).....	1
30	SC-018-33	Mach. Screw 8-32 x 5/16 Phil. Pan Hd.....	2
31	00-042779	Plug.....	1
32	00-449085	Bracket.....	1
33	00-449495	Gasket, Sensor.....	1
34	00-448904-00001	Tubing, Polyurethane, 3/8" Blue (146").....	1
35	00-448902	Fitting, Coupler 3/8" (Maybe used to repair a cut in item 34).....	1
36	00-444052	Fitting - Tube (Banjo Elbow) (Used with Gauge & Sensor Block).....	1
37	00-444490-00102	Tubing 1/4 In. (10 Ft.) (Cut to 44 In.) (Used with Gauge & Sensor Block).....	AR
38	00-450003	Kit, 0-150 PSI Sensor (Incls. 28, 29 & 33).....	1
39	00-449979	Kit, Copper Line Install (Incls. PTC Elbow, 1/2" Check Valve & Copper Tubing).....	1

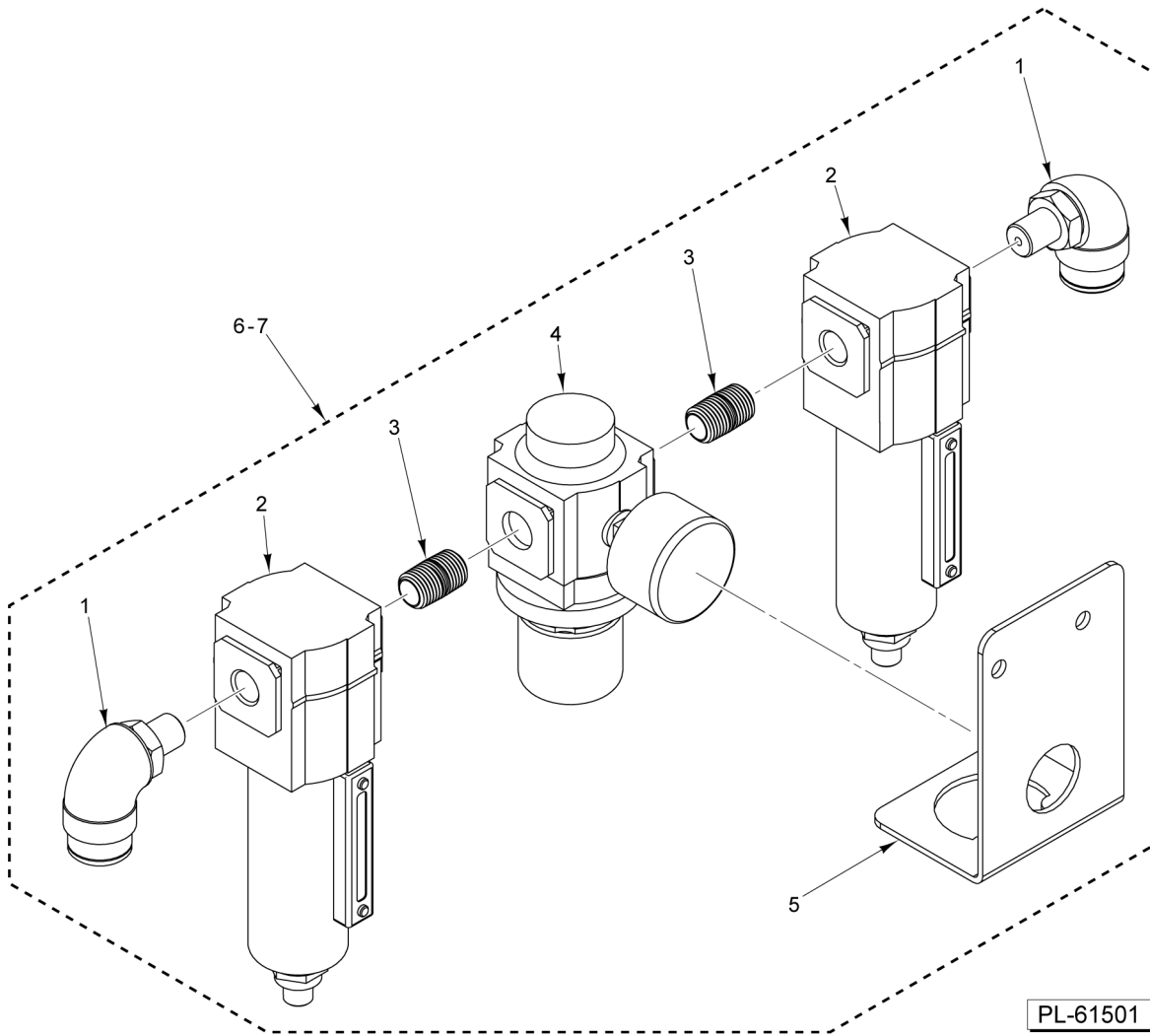


PL-61040

FILTER DRYER ASSEMBLY (JANATICS)

FILTER DRYER ASSEMBLY (JANATICS)

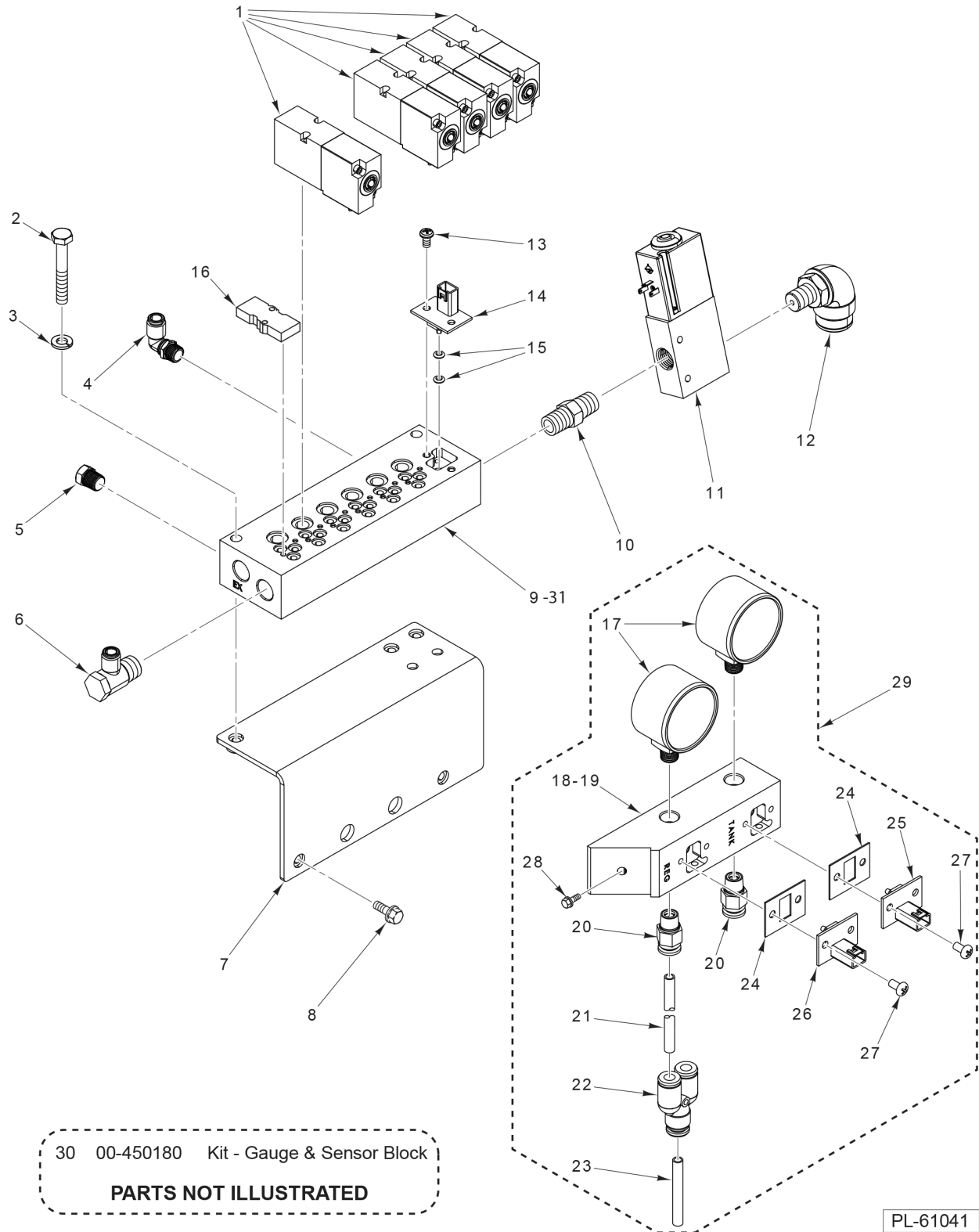
ILLUS.	PART NO.	NAME OF PART	AMT.
PL-61040			
1	00-444473	Elbow - Swivel Male.....	2
2	00-448931	Filter.....	2
3	00-449081	Fitting 1/2 x 1/4 Male Adapter.....	2
4	00-448932	Regulator - Air.....	1
5	00-448996	Gauge - Pressure (Low).....	1
6	00-449093	Bracket - Filter.....	2
7	SC-128-15	Mach. Screw M5 x 0.8 x 12mm Phil. Pan Hd.....	4
8	NS-048-63	Lock Nut 1/4-20 Hex (SST).....	4
9	SC-129-49	Mach. Screw 1/4-20 x 1/2 Hex Washer Hd. (SST).....	4
	00-448936	Filter, Dryer Assy. (Includes items 1-7).....	AR



FILTER DRYER ASSEMBLY (NORGREN)

FILTER DRYER ASSEMBLY (NORGREN)

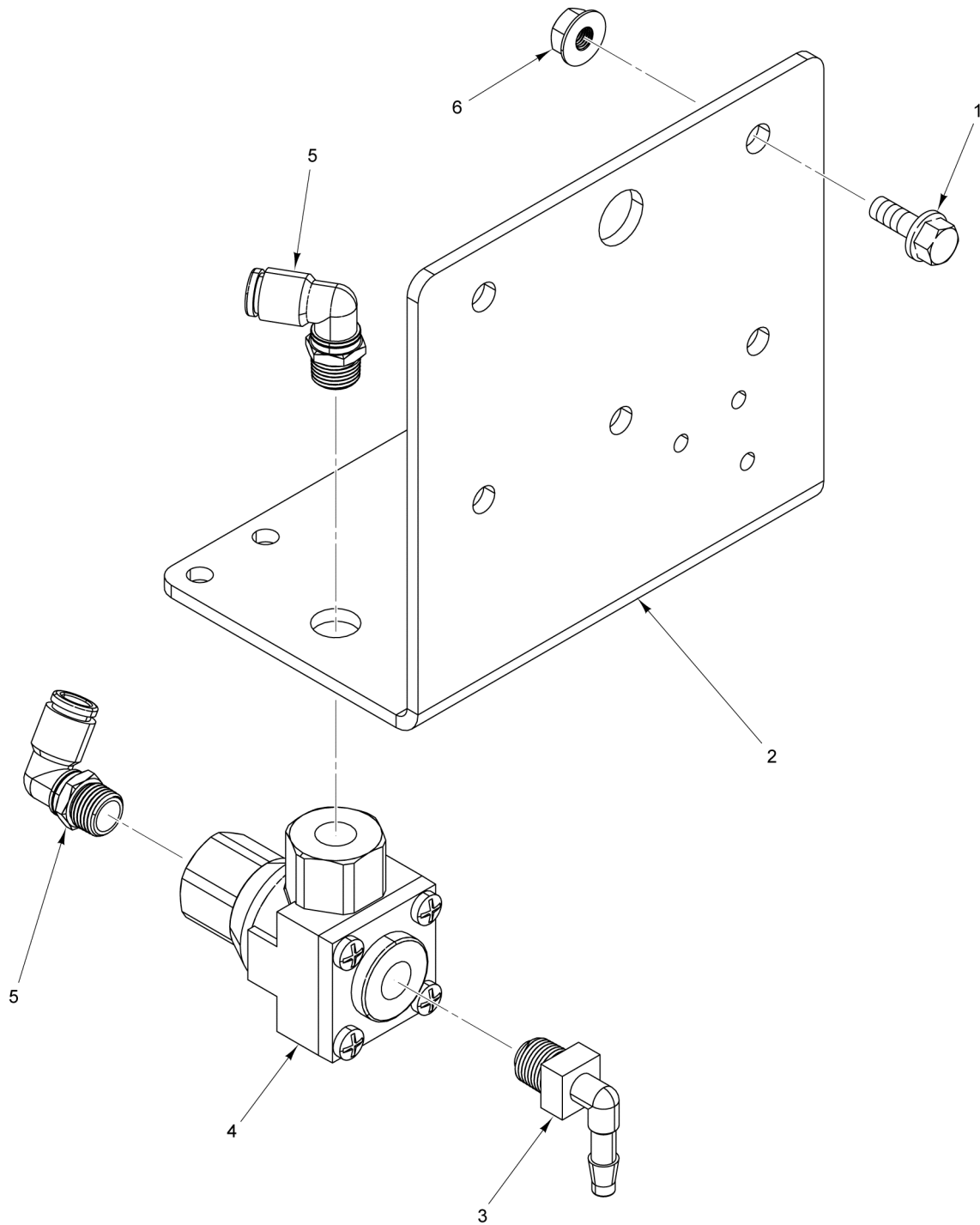
ILLUS.	PART NO.	NAME OF PART	AMT.
PL-61501			
1	00-444473	Elbow - Swivel Male.....	2
2	00-450029	Filter (Norgren).....	2
3	FP-040-80	Pipe 1/4 x .875.....	2
4	00-450028	Regulator & Gauge.....	1
5	00-450031	Bracket - Regulator.....	1
6	00-450050	Filter/Dryer Assy. (Norgren).....	1
7	00-450107	Kit - Norgren Filter (Contains 2 Filters & 2 Seal & Gasket Kits).....	AR



MANIFOLD ASSEMBLY

MANIFOLD ASSEMBLY

ILLUS. PL-61041	PART NO.	NAME OF PART	AMT.
1	00-449018	Valve Assy. (24 VDC) (Humphrey).....	5
2	SC-041-04	Cap Screw 1/4-20 x 1-3/4 Hex Hd. (SST).....	2
3	WL-006-17	Lockwasher 1/4 Helical (SST).....	2
4	00-444467	Fitting - Swivel 90 Deg. Elbow Tube.....	5
5	00-042779	Plug.....	7
6	00-444052	Fitting - Tube (Banjo Elbow).....	1
7	00-449091	Bracket - Manifold.....	1
8	SC-129-49	Mach. Screw 1/4-20 x 1/2 Hex Washer Hd. (SST).....	2
9	00-448948	Manifold.....	1
10	00-446995	Fitting - Pipe 1/4.....	1
11	00-449020	Valve Assy. (24 VDC) (Humphrey) (Incls. 6 In. Lead Connector).....	1
12	00-444473	Elbow - Swivel Male.....	1
13	SC-018-33	Mach. Screw 8-32 x 5/16 Phil. Pan Hd.....	2
14	00-448770	Board Assy. (Pressure Sensor) (0-60 PSI).....	1
15	OR-001-34	O-Ring.....	2
16	00-447303	Plate - Valve Seal.....	1
17	00-450026	Gauge (160 PSI).....	2
18	00-450025	Block, Gauge and Sensor.....	1
19	OR-001-34	O-Ring.....	4
20	00-444464	Fitting - Tube (Straight Male).....	2
21	00-444490-00047	Tubing (12 In.).....	1
22	00-444466	Fitting - Union Tube (Y).....	1
23	00-444490-00048	Tubing (3 In.).....	1
24	00-449495	Gasket, Sensor.....	2
25	00-448769	Board (0-150 PSI).....	1
26	00-448770	Board Assy.....	1
27	SC-018-33	Mach. Screw 8-32 x 5/16 Phil. Pan Hd.....	4
28	SC-129-50	Mach. Screw 1/4-20 x 5/8 Hex Washer Hd. (SST).....	1
29	00-450030	Block Assy. - Gauge & Sensor (Incls. Items 17 thru 27).....	1
30	00-450180	Kit - Gauge & Sensor Block (See SKI F45828).....	AR
31	00-450104	Manifold (For units with Gauge & Sensor Block installed) (Serial 45-1216-593 & later)	1

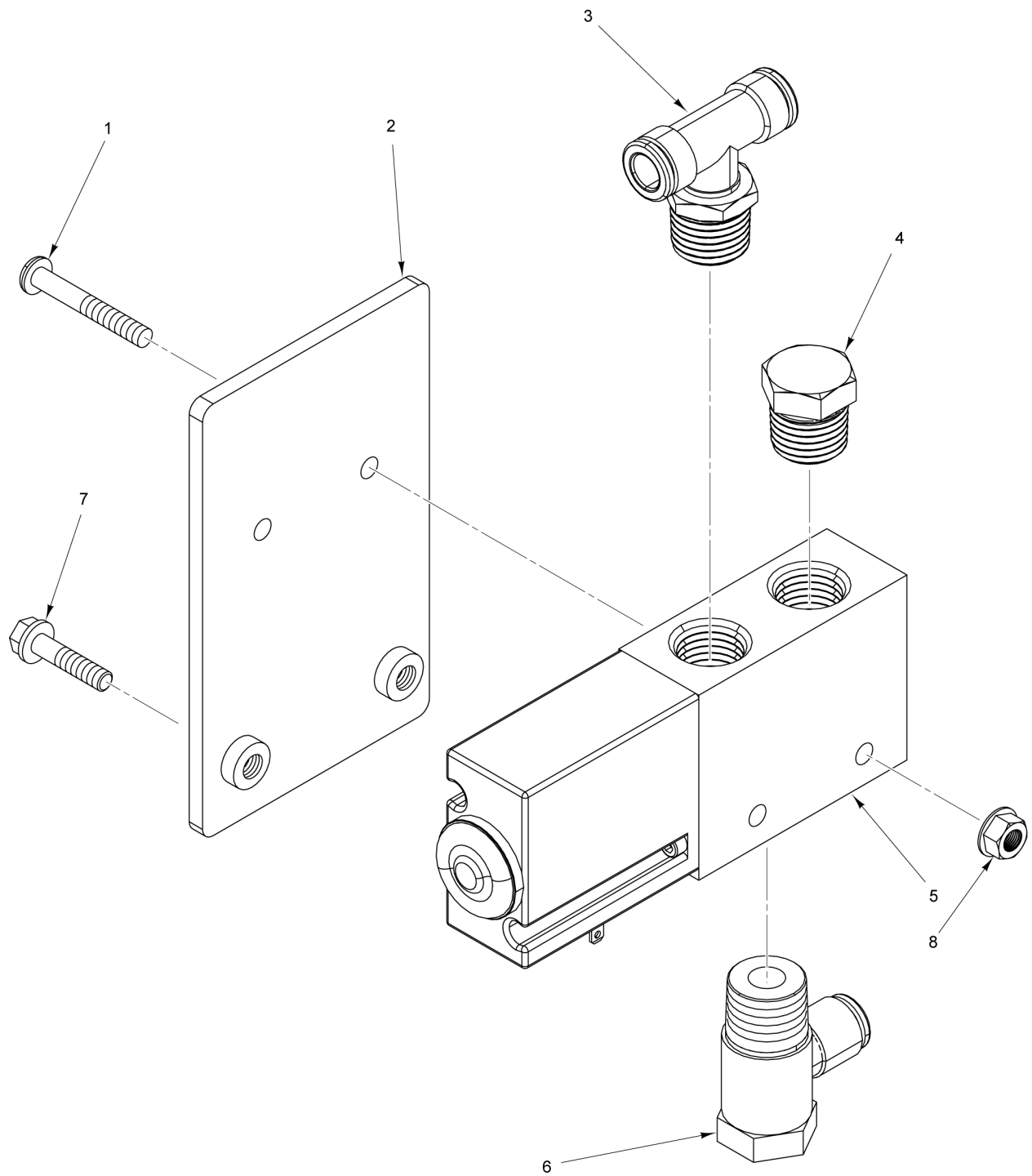


PL-61042

QUICK EXHAUST ASSEMBLY

QUICK EXHAUST ASSEMBLY

ILLUS. PL-61042	PART NO.	NAME OF PART	AMT.
1	SC-129-49	Mach. Screw 1/4-20 x 1/2 Hex Washer Hd. (SST).....	2
2	00-447737	Bracket - Manifold Mounting.....	1
3	00-041719	Fitting - Elbow.....	2
4	00-449069	Valve (1/8 Quick Exhaust).....	2
5	00-444467	Fitting - Swivel 90 Deg. Elbow Tube.....	4
6	NS-049-06	Lock Nut 1/4-20 (SST).....	2

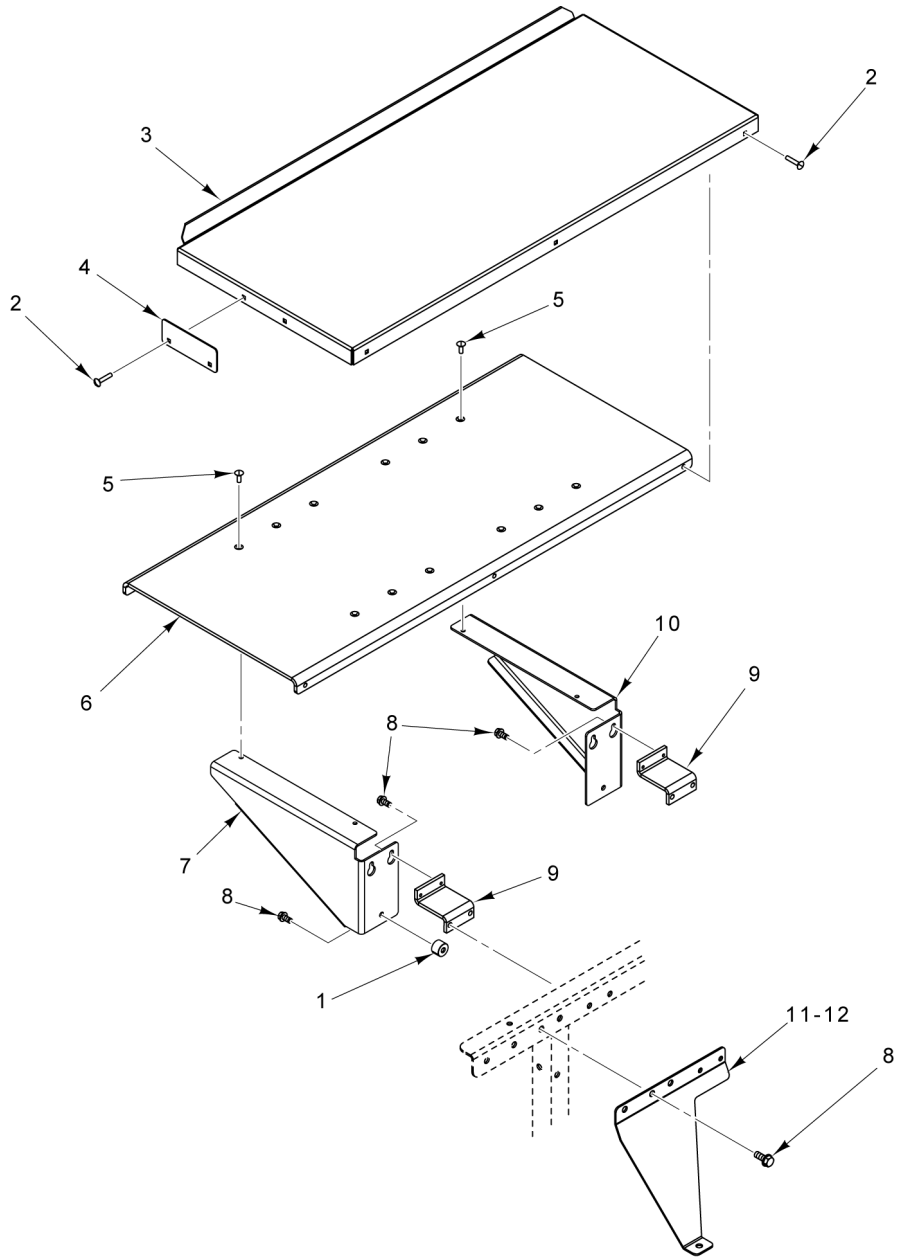


PL-61039

DRAIN VALVE ASSEMBLY

DRAIN VALVE ASSEMBLY

ILLUS.	PART NO.	NAME OF PART	AMT.
PL-61039			
1	SC-125-37	Mach. Screw 6-32 x 1 Phil. Pan Hd.....	2
2	00-449092	Bracket - Drain Valve.....	1
3	00-449083	Fitting - Tee 1/4 NPT x 1/4 PTC.....	1
4	00-042779	Plug.....	1
5	00-449020	Valve Assy. (24 VDC) (Humphrey).....	1
6	00-444052	Fitting - Tube (Banjo Elbow).....	1
7	SC-129-49	Mach. Screw 1/4-20 x 1/2 Hex Washer Hd. (SST).....	2
8		Nut.....	2



PL-61061

SHELF (OPTIONAL)

SHELF (OPTIONAL)

ILLUS.	PART NO.	NAME OF PART	AMT.
PL-61061			
1	00-449040	Spacer.....	2
2	SC-131-14	Bolt 10-24 x 1 Sq. Neck, Rd. Hd. (SST).....	10
3	00-448628	Shelf.....	1
4	00-448629	Stop.....	1
5	SC-119-95	Mach. Screw 10-24 x 1/2 Phil. Flat Hd.....	4
6	00-448627	Support - Plate Shelf.....	1
7	00-449041-00002	Bracket - Shelf.....	1
8	SC-119-97	Mach. Screw 10-24 x 1/2 Hex Washer Hd.....	4
9	00-444542	Bracket - Shelf Mounting.....	2
10	00-449041-00001	Bracket - Shelf.....	1
11	00-449042-00001	Brace - Shelf (L-R).....	1
12	00-449042-00002	Brace - Shelf (R-L).....	1
13	SC-129-50	Mach. Screw 1/4-20 x 5/8 Hex Washer Hd. (SST).....	10
	00-449062	Kit, Shelf, NGW (Incls. Items 1-13).....	AR

1	00-441937-00001	Cable - USB (2.0 A-B0 (6 Ft.)
2	00-441937-00002	Cable - USB (2.0 A-B0 (10 Ft.)
3	00-441937-00003	Cable - USB (2.0 A-B0 (15 Ft.)
4	00-444444-00001	Cable – Ethernet (CAT5E) (14 Ft.)
5	00-444444-00002	Cable – Ethernet (CAT5E) (25 Ft.)
6	00-444432	Coupler – Ethernet (RJ45-F)
7	00-443444	USB Drive
8	00-913108	Stylus – HOBART Logo
9	00-444424	ROTO Seal Security Wire
10	00-557758	Lubriplate (Synxtreme FG-1) (14 Oz. Tube)
11	00-558191	Christo - Lube (2 Oz. Tube)
12	00-512987	Loctite #222 (Purple) (Small Fasteners)
13	00-520228	Loctite #242 (Blue)
14	00-448554	Cover - Spray (Printer/Display)
15	00-184326	Kit -Thermal Printhead Cleaning
16	00-558169	Electronics Cleaner (12 Oz. Can)
17	00-519504	Thermal Joint Compound (2 Oz.)

PARTS NOT ILLUSTRATED

PL-61096

ACCESSORIES

ACCESSORIES

ILLUS.	PART NO.	NAME OF PART	AMT.
PL-61096			
1	00-441937-00001	Cable - USB (2.0 A-B) (6 Ft.).....	AR
2	00-441937-00002	Cable - USB (2.0 A-B) (10 Ft.).....	AR
3	00-441937-00003	Cable - USB (2.0 A-B) (15 Ft.).....	AR
4	00-444444-00001	Cable - Ethernet (CAT5E) (14 Ft.).....	AR
5	00-444444-00002	Cable - Ethernet (CAT5E) (25 Ft.).....	AR
6	00-444432	Coupler - Ethernet (RJ45-F).....	AR
7	00-443444	USB Drive.....	AR
8	00-913108	Stylus (Hobart Logo).....	AR
9	00-444424	Seal - Wire Roto (8 In.).....	AR
10	00-557758	Lubriplate (Synxtreme FG-1) (14 Oz. Tube).....	AR
11	00-558191	Christo - Lube (2 Oz. Tube).....	AR
12	00-512987	Adhesive (Loctite #222, Purple).....	AR
13	00-520228	Adhesive (Loctite #242, Blue).....	AR
14	00-448554	Cover - Spray (Printer/Display).....	AR
15	00-184326	Kit - Printhead Cleaning.....	AR
16	00-558169	Cleaner (Electronics) (12 Oz. Can).....	AR
17	00-519504	Thermal Joint Compound (2 Oz.).....	AR
	00-449561	Label Kit (Film Door).....	AR
	00-449996	Instructions, NGW Cleaning (Laminated).....	AR

